



US00D369820S

United States Patent [19]

[11] Patent Number: **Des. 369,820**

Chapman et al.

[45] Date of Patent: ****May 14, 1996**

[54] FLASH CAMERA

[75] Inventors: **Steven S. Chapman**, Corfu; **John K. McBride**, Rochester; **James G. Rydelek**, Henrietta, all of N.Y.

[73] Assignee: **Eastman Kodak Company**, Rochester, N.Y.

[**] Term: **14 Years**

[21] Appl. No.: **27,930**

[22] Filed: **Sep. 1, 1994**

[52] U.S. Cl. **D16/209; D16/218**

[58] Field of Search **D16/200-205, D16/208, 209, 216-218; 354/64, 75, 126, 152, 202, 288**

[56] **References Cited**

U.S. PATENT DOCUMENTS

D. 291,579	8/1987	Ito et al.	D16/218
D. 320,610	10/1991	Chan	D16/209
D. 323,523	1/1992	Tanaka et al.	D16/209
D. 329,864	9/1992	Kawagoe	D16/218
D. 340,734	10/1993	Ito	D16/209
D. 345,987	4/1994	Nihei	D16/209
D. 345,988	4/1994	Nojima et al.	D16/209
D. 346,176	4/1994	Nihei	D16/209
D. 353,606	12/1994	Horikiri et al.	D16/208
2,933,027	4/1960	Hollingworth et al.	354/212
3,731,586	5/1973	Meazza	354/76
4,556,304	12/1985	Fukuda	354/288

4,812,863	3/1989	Ohmura et al.	354/219
4,812,866	3/1989	Ushiro et al.	354/288
4,855,774	12/1989	Ohmura et al.	354/203
4,884,087	11/1989	Mochida et al.	354/75
4,890,130	12/1989	Takei et al.	354/288
5,021,811	6/1991	Maurinus et al.	354/76
5,255,041	10/1993	Lyon et al.	354/288
5,329,330	7/1994	Sakai et al.	354/288
5,353,165	10/1994	VanDeMoere et al.	359/819

OTHER PUBLICATIONS

Evans Catalog, 1988-1989 p. 305y (Vivitar PS-120).

Primary Examiner—Prabhakar G. Deshmukh

Assistant Examiner—Adir Aronovich

Attorney, Agent, or Firm—Roger A. Fields

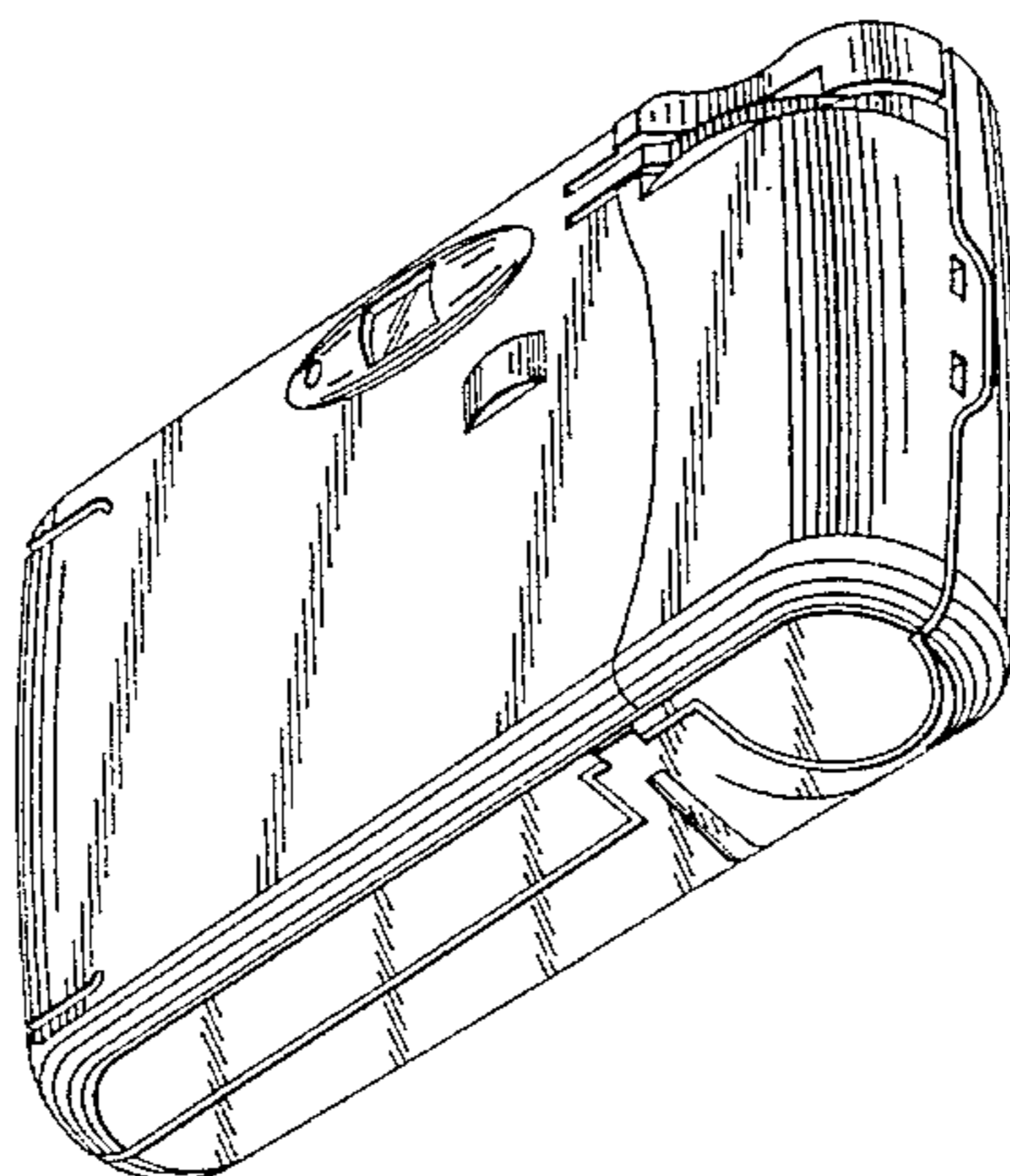
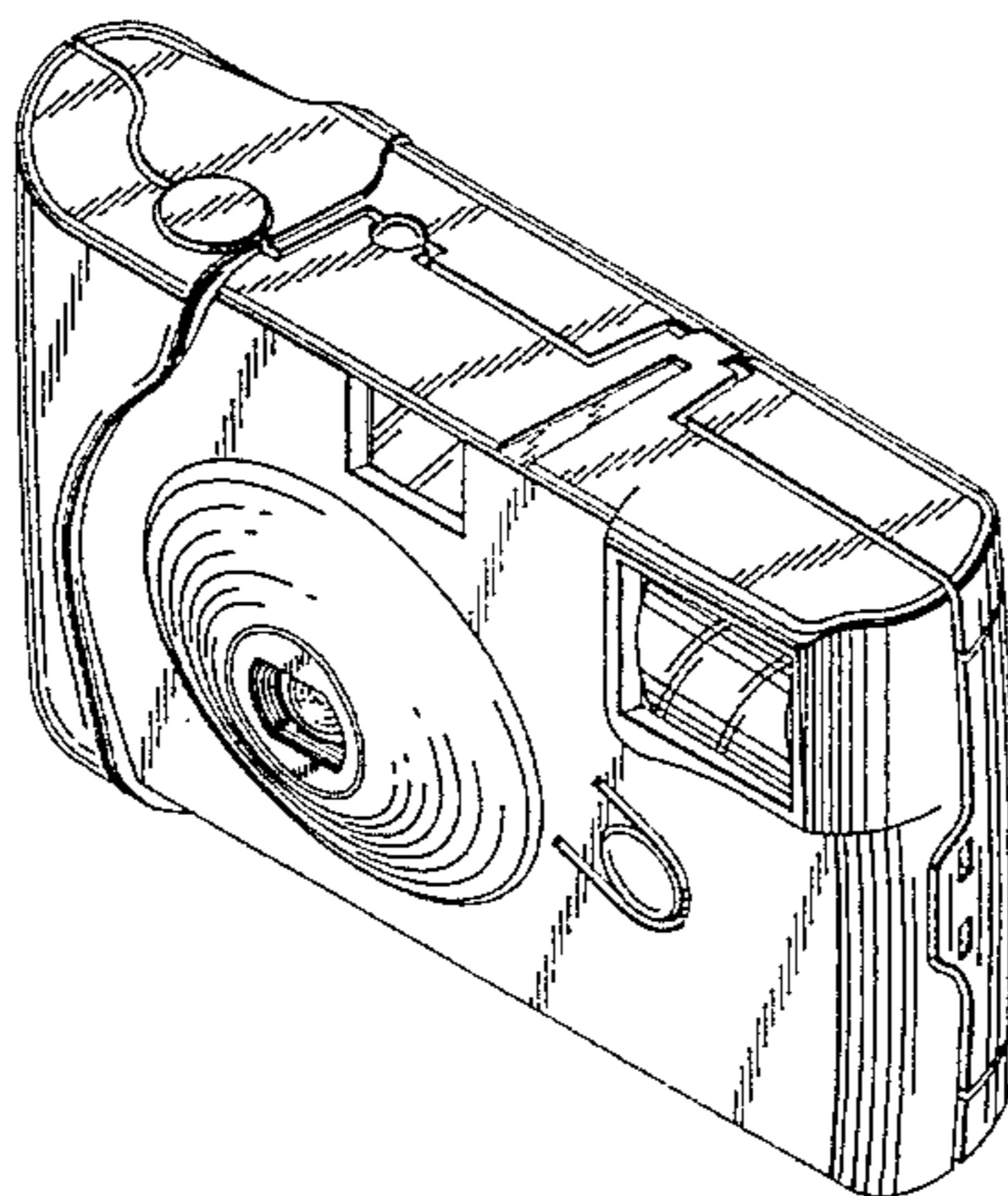
[57] CLAIM

The ornamental design for a flash camera, as shown and described.

DESCRIPTION

FIG. 1 is a front, top, right-side perspective view of a flash camera, showing our new design;
 FIG. 2 is a rear, bottom, left-side perspective view thereof;
 FIG. 3 is a front elevation view thereof;
 FIG. 4 is a rear elevation view thereof;
 FIG. 5 is a left-side elevation view thereof;
 FIG. 6 is a right-side elevation view thereof;
 FIG. 7 is a top plan view thereof; and,
 FIG. 8 is a bottom plan view thereof.

1 Claim, 8 Drawing Sheets



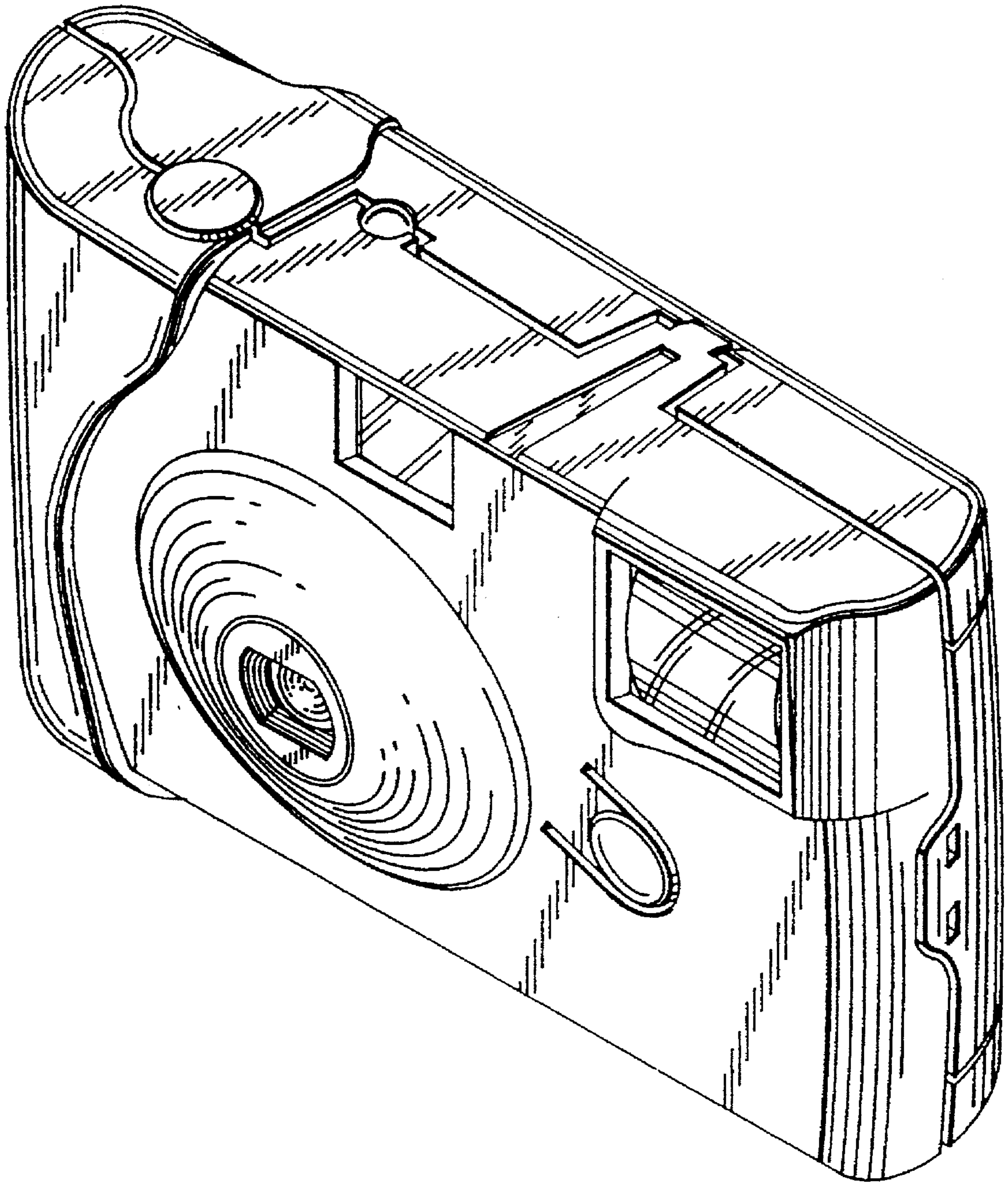


FIG. 1

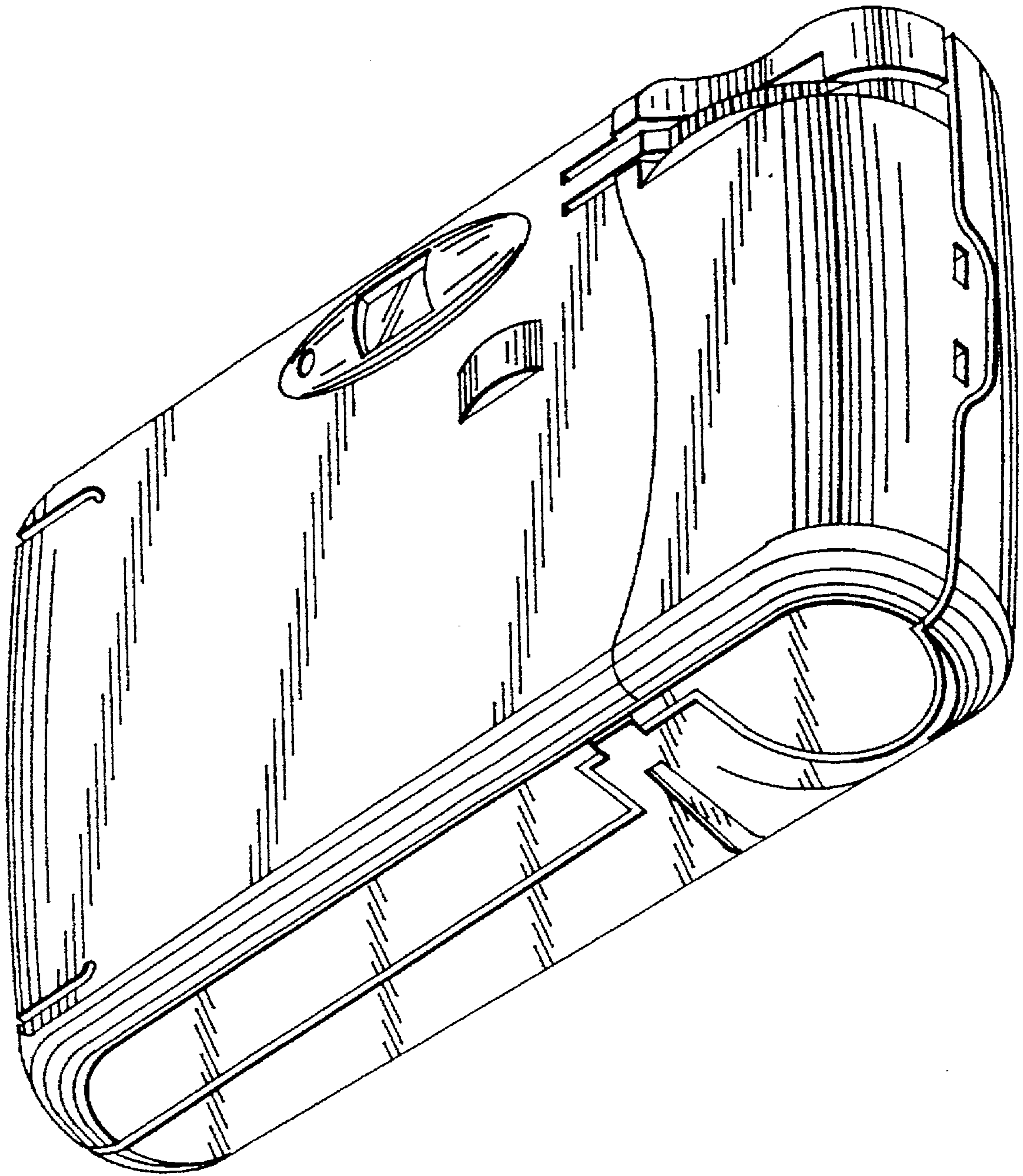


FIG. 2

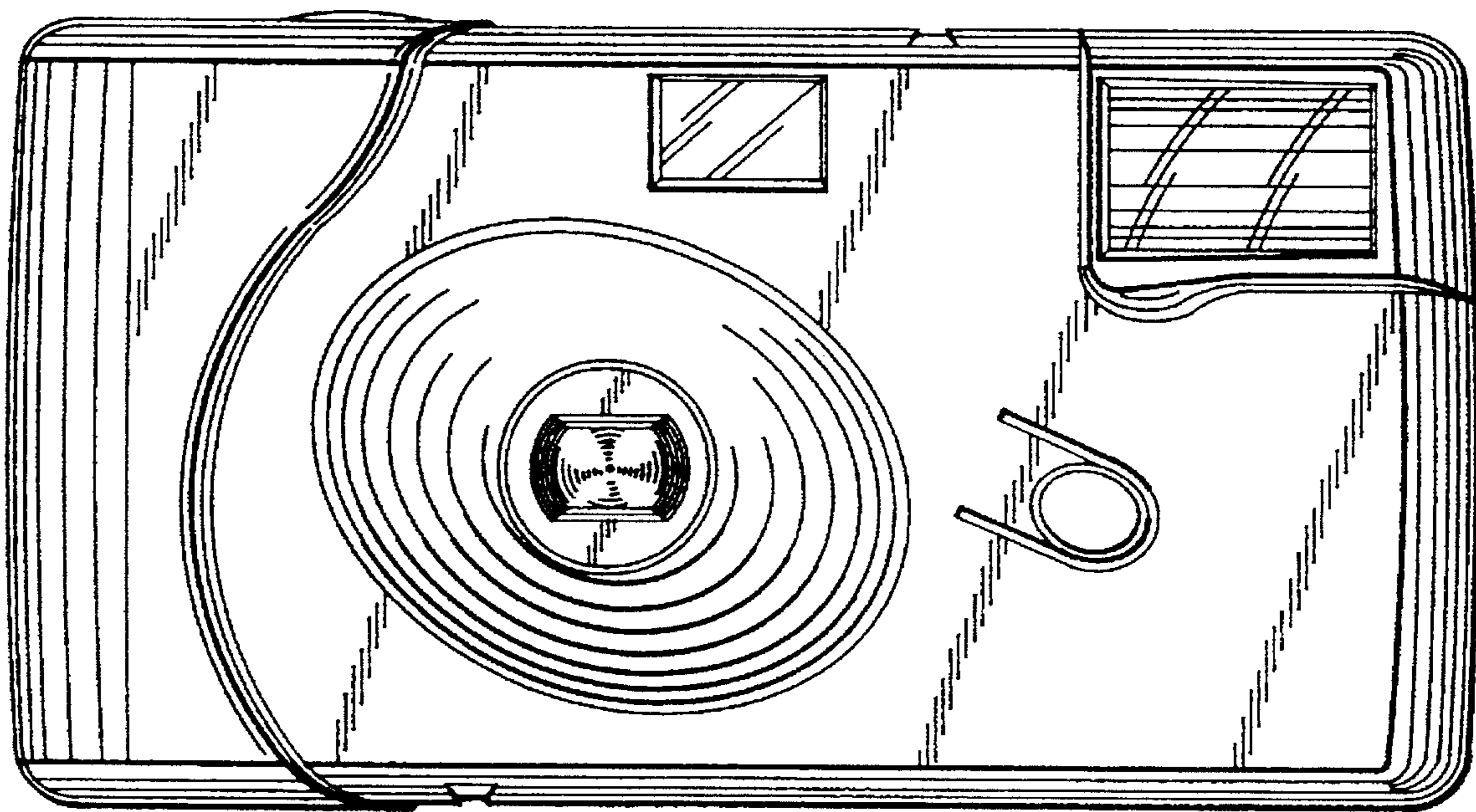


FIG. 3

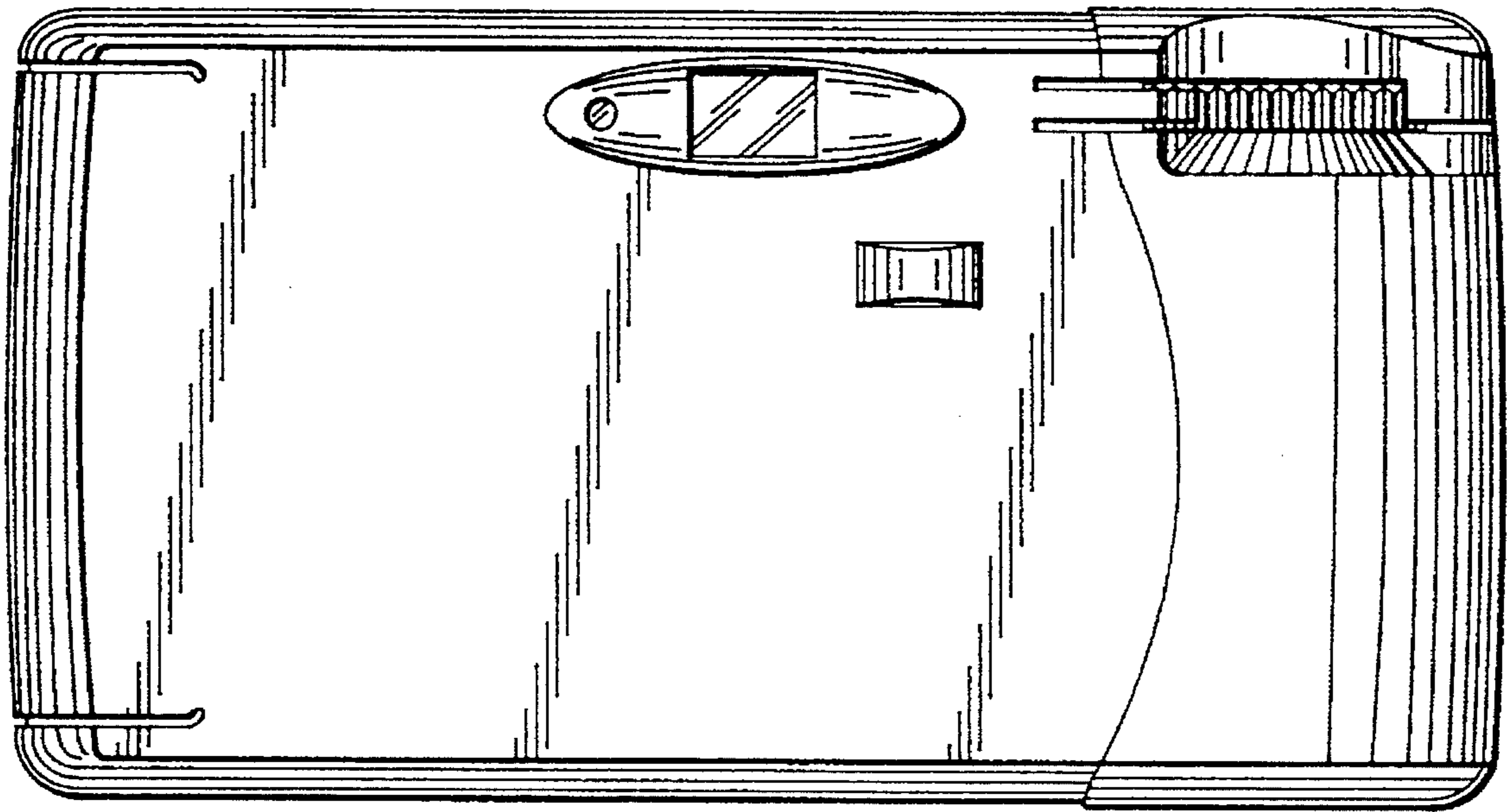


FIG. 4

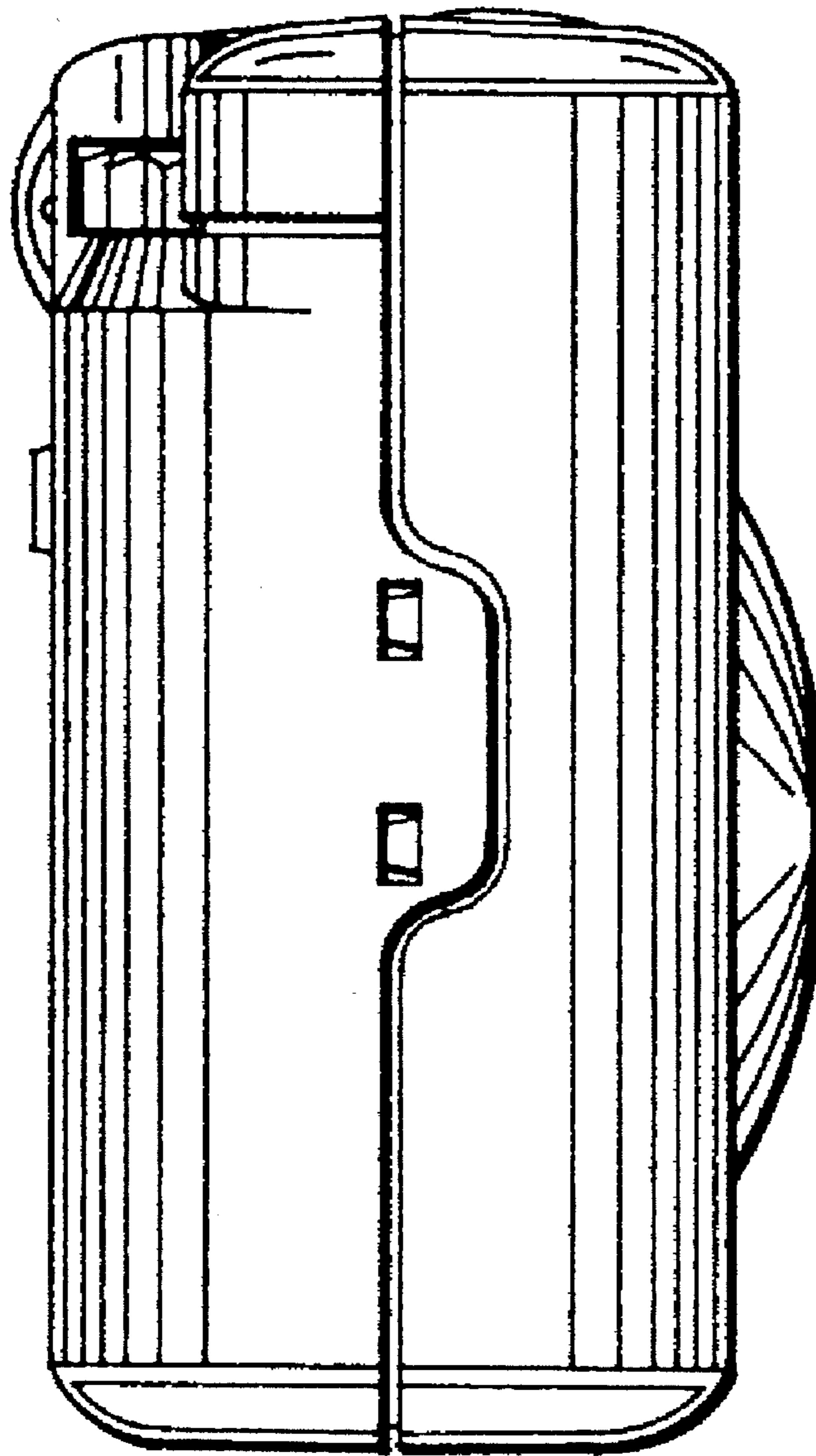


FIG. 5

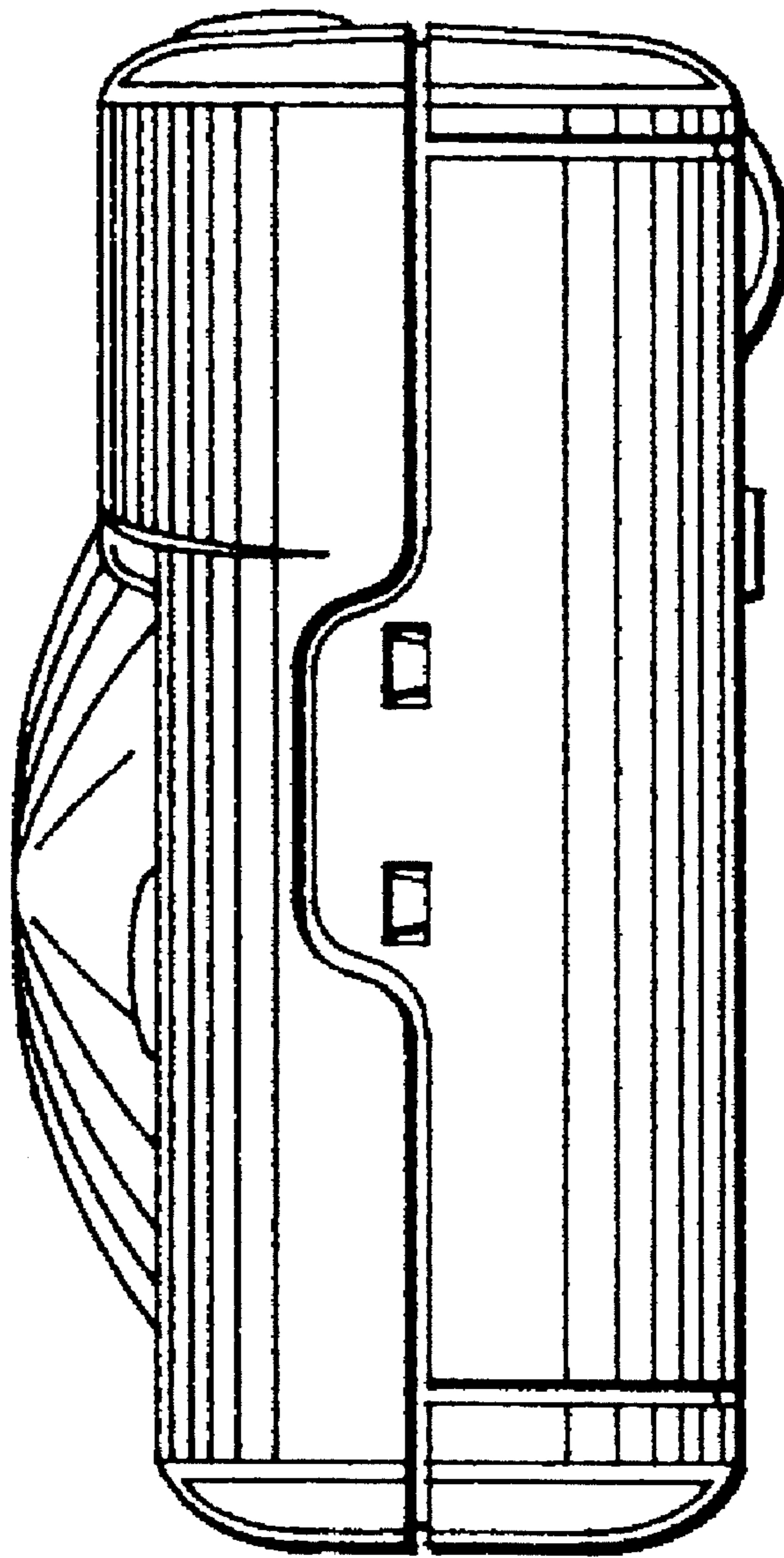


FIG. 6

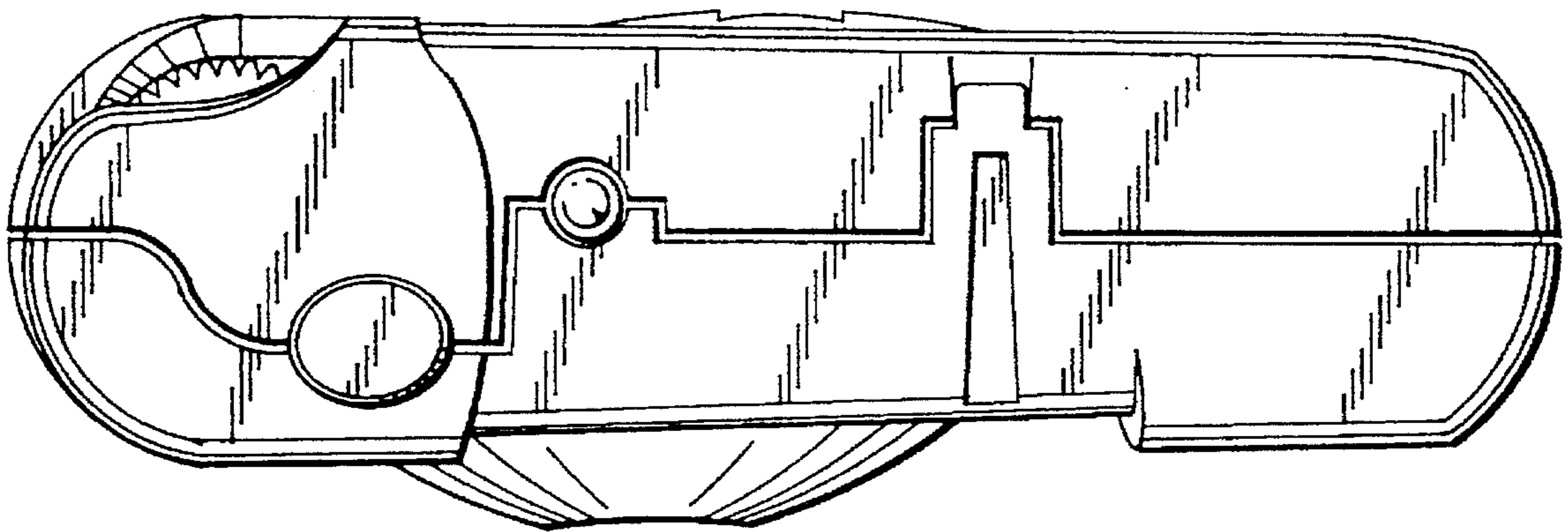


FIG. 7

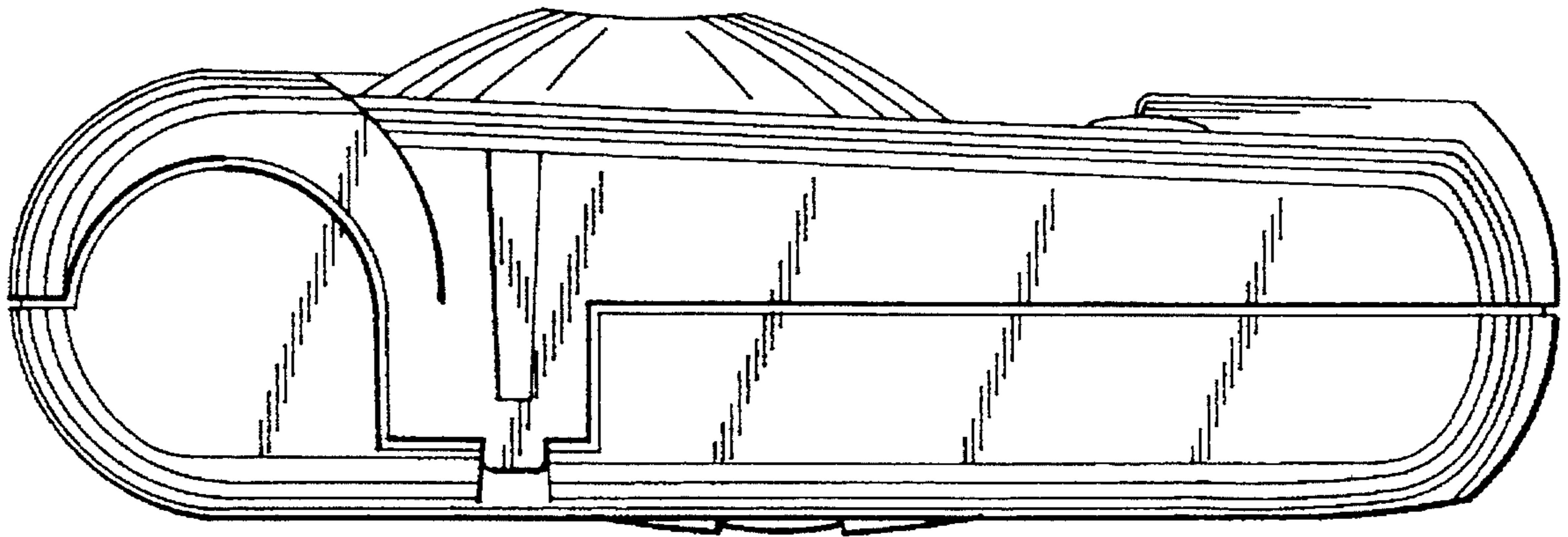


FIG. 8