



US00D369818S

United States Patent [19] Ono

[11] Patent Number: **Des. 369,818**

[45] Date of Patent: ****May 14, 1996**

[54] **ELECTRONIC STILL CAMERA WITH MONITOR DISPLAY**

5,294,990 3/1994 Aoki 358/909.1

[75] Inventor: **Junichi Ono**, Tokyo, Japan

Primary Examiner—Prabhakar G. Deshmukh
Assistant Examiner—Adir Aronovich
Attorney, Agent, or Firm—Frishauf, Holtz, Goodman, Langer & Chick

[73] Assignee: **Casio Computer Co., Ltd.**, Tokyo, Japan

[**] Term: **14 Years**

[57] **CLAIM**

[21] Appl. No.: **29,971**

The ornamental design for an electronic still camera with monitor display, as shown and described.

[22] Filed: **Oct. 20, 1994**

DESCRIPTION

[52] U.S. Cl. **D16/202**

[58] Field of Search D16/200-205,
D16/208; 348/143, 207, 373-376; 354/82,
288; 358/906, 909.1; H04N 5/225

FIG. 1 is a front elevational view of an electronic still camera with monitor display showing my new design; FIG. 2 is a top plan view thereof; FIG. 3 is a right side elevational view thereof; FIG. 4 is a left side elevational view thereof; FIG. 5 is a bottom plan view thereof; FIG. 6 is a rear elevational view thereof; FIG. 7 is a top plan view thereof, with a lens holder in a turned position; and, FIG. 8 is a front elevational view thereof, with a lens holder in a turned position.

[56] **References Cited**

U.S. PATENT DOCUMENTS

D. 316,720	5/1991	Sano	D16/202
D. 356,097	3/1995	Sakata et al.	D16/202
D. 361,079	8/1995	Ono	D16/202
4,420,773	12/1983	Toyoda et al.	348/375
4,873,576	10/1989	Hattori et al.	348/373

1 Claim, 3 Drawing Sheets

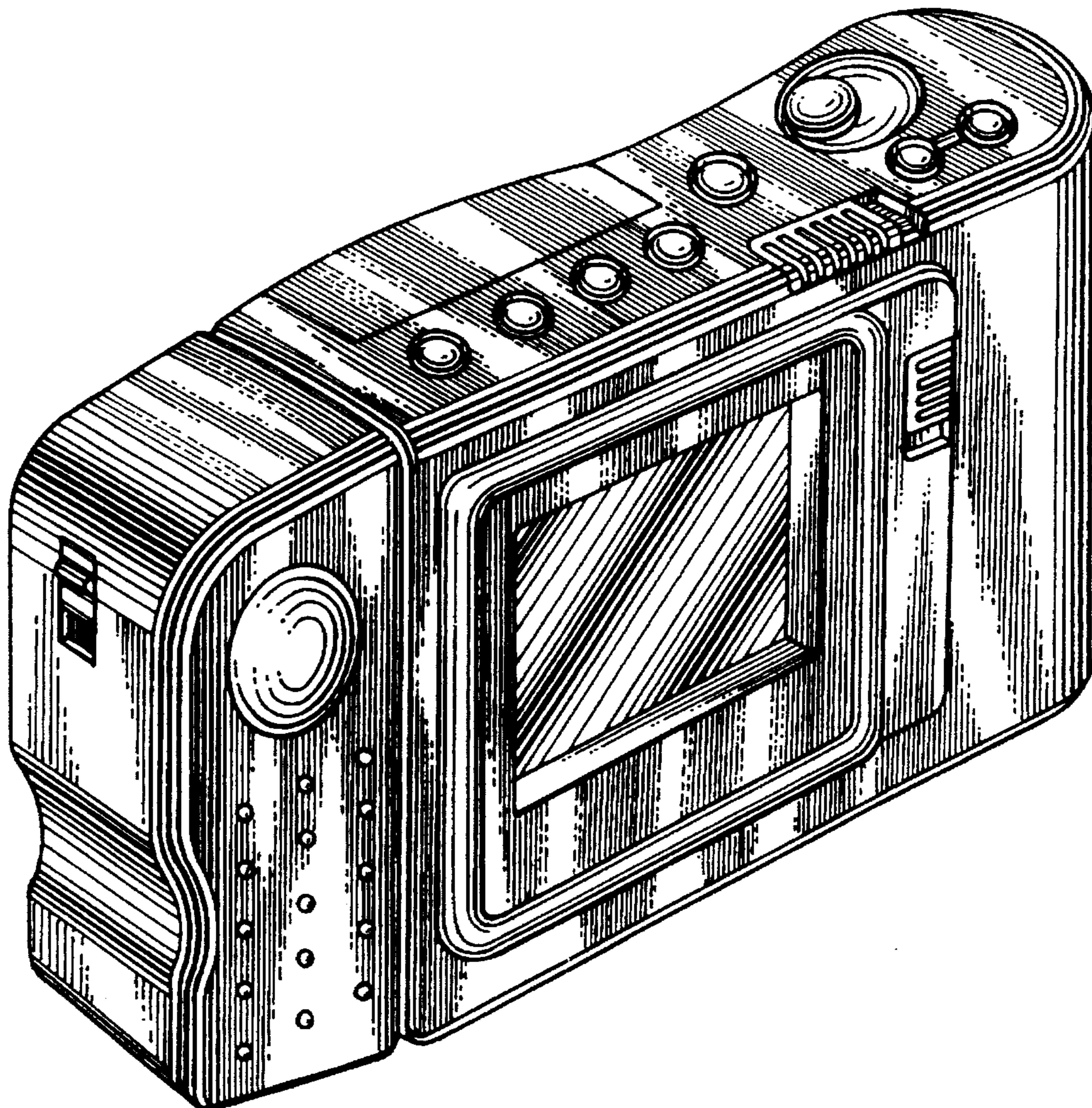


FIG. 2

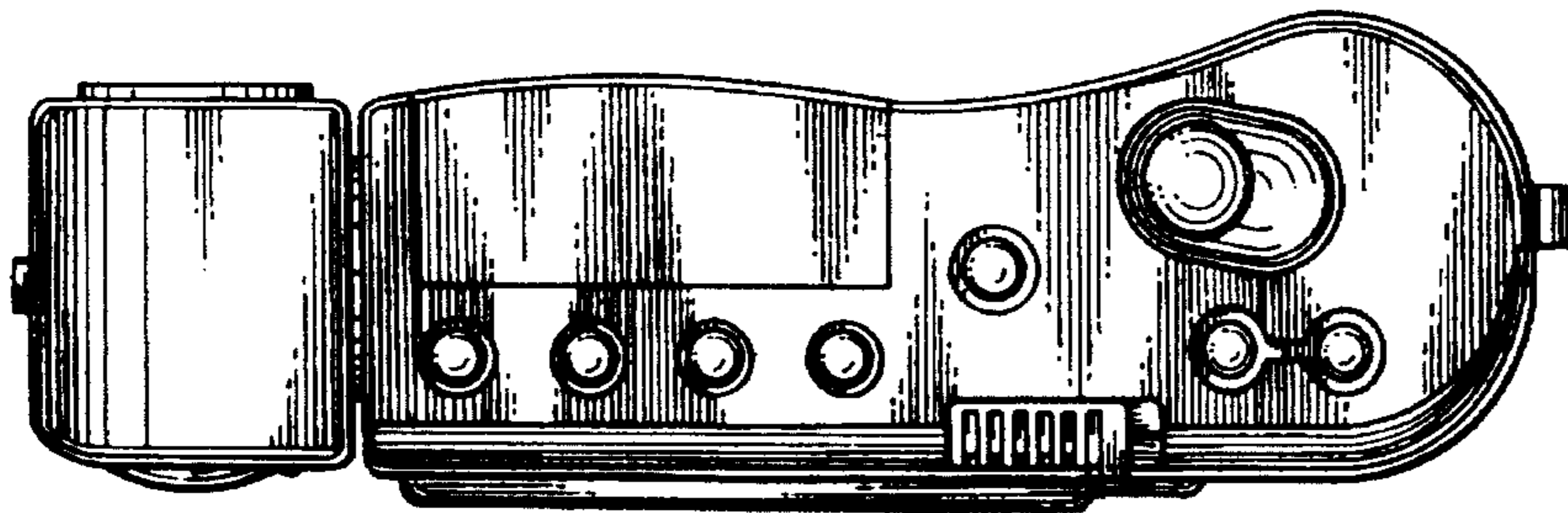


FIG. 1

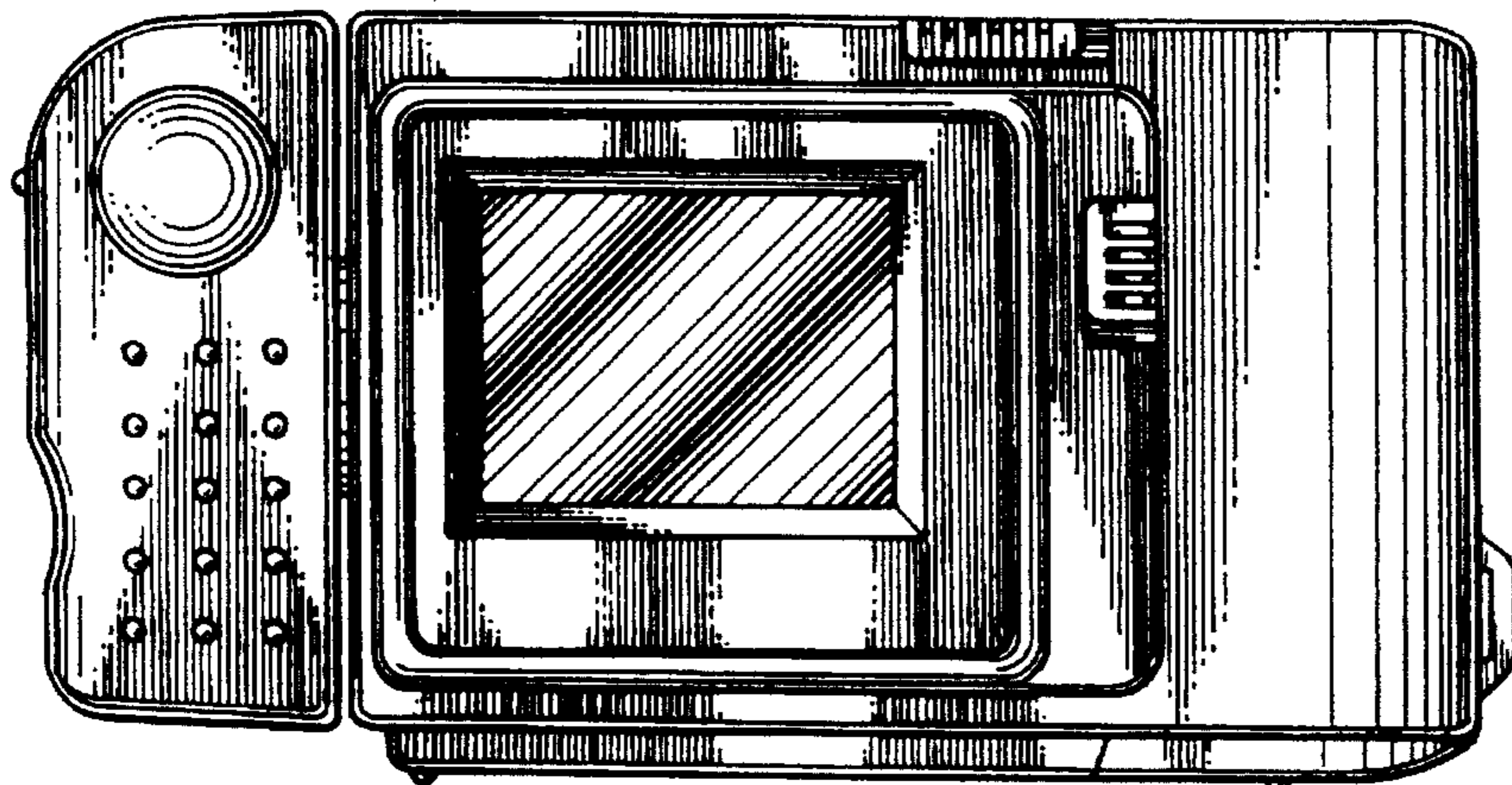


FIG. 3

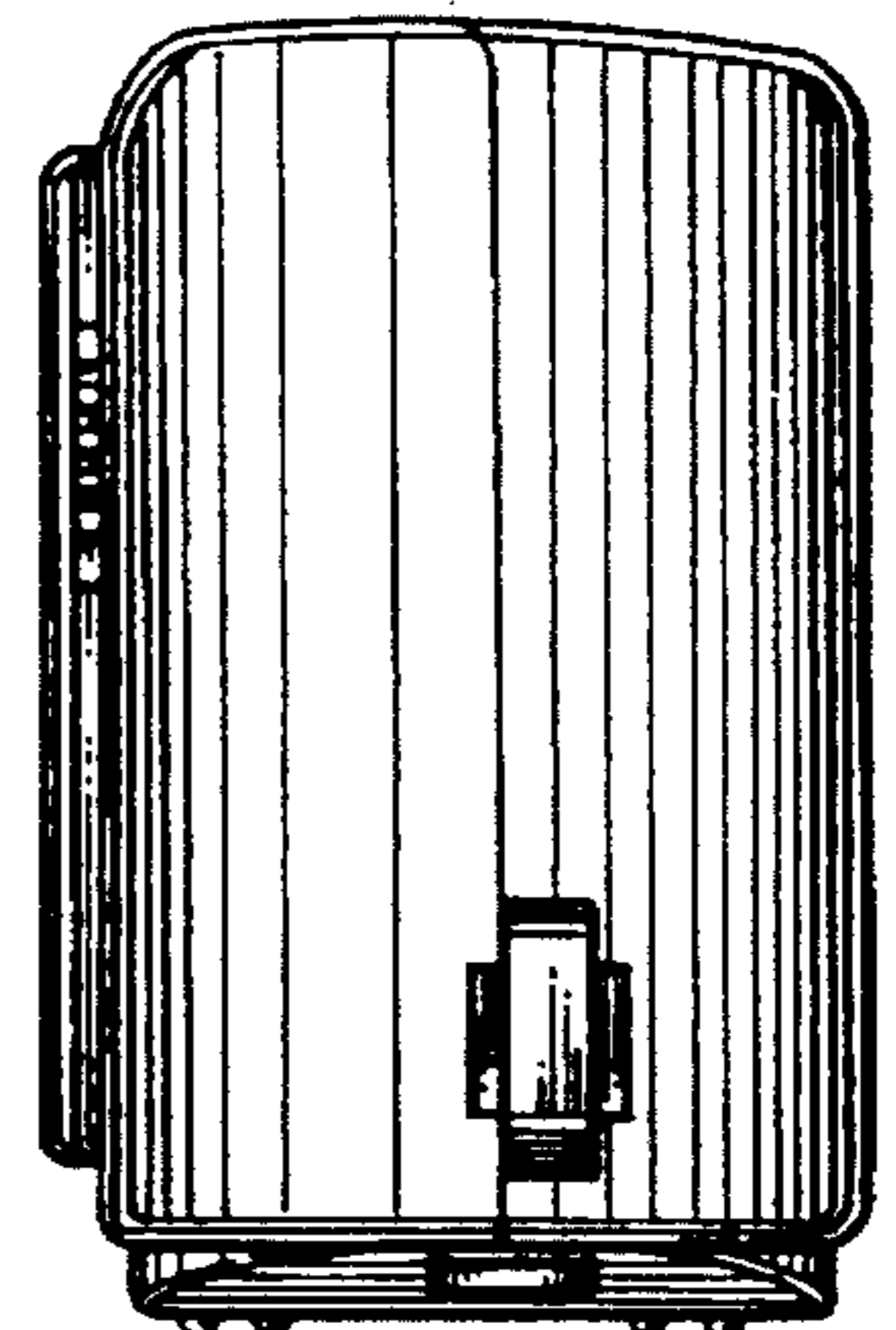


FIG. 5

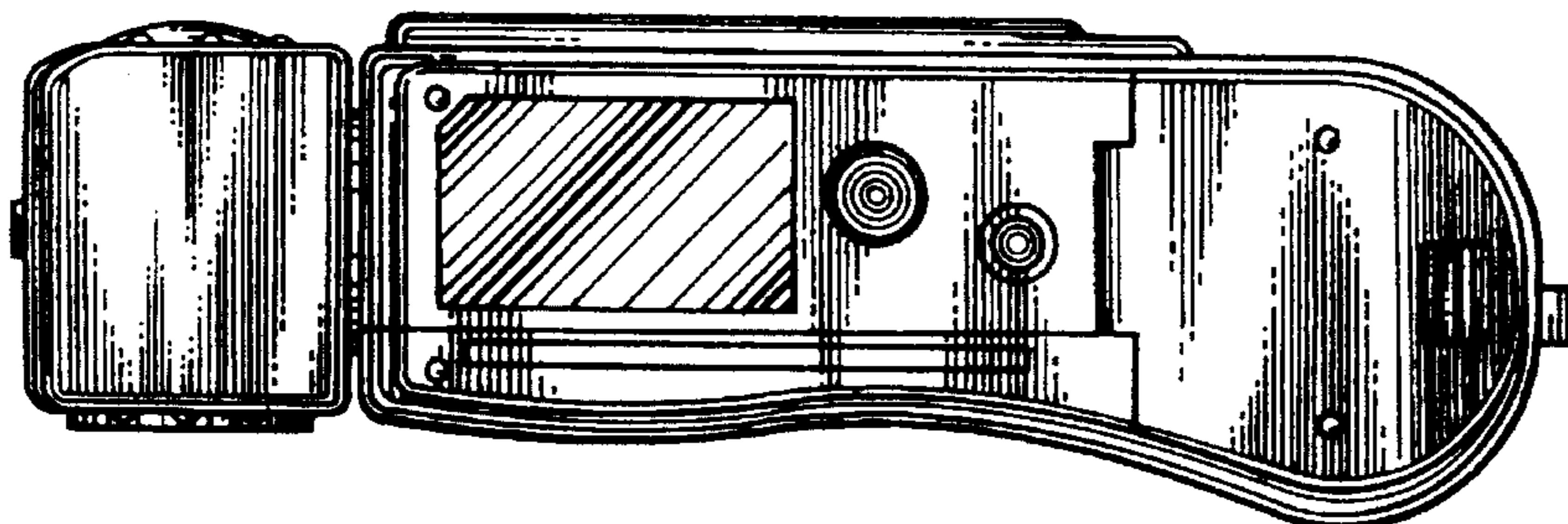


FIG. 4

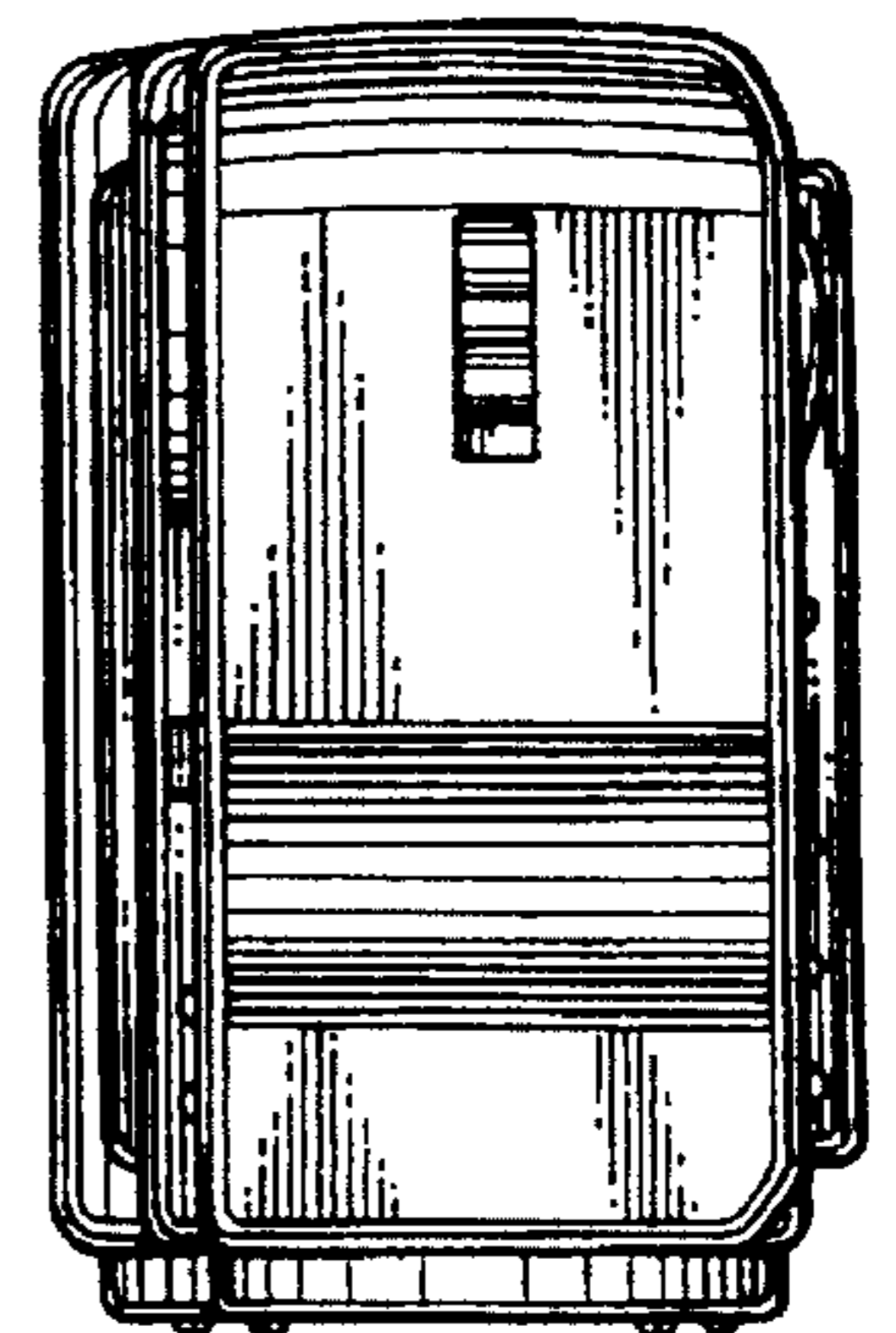


FIG. 6

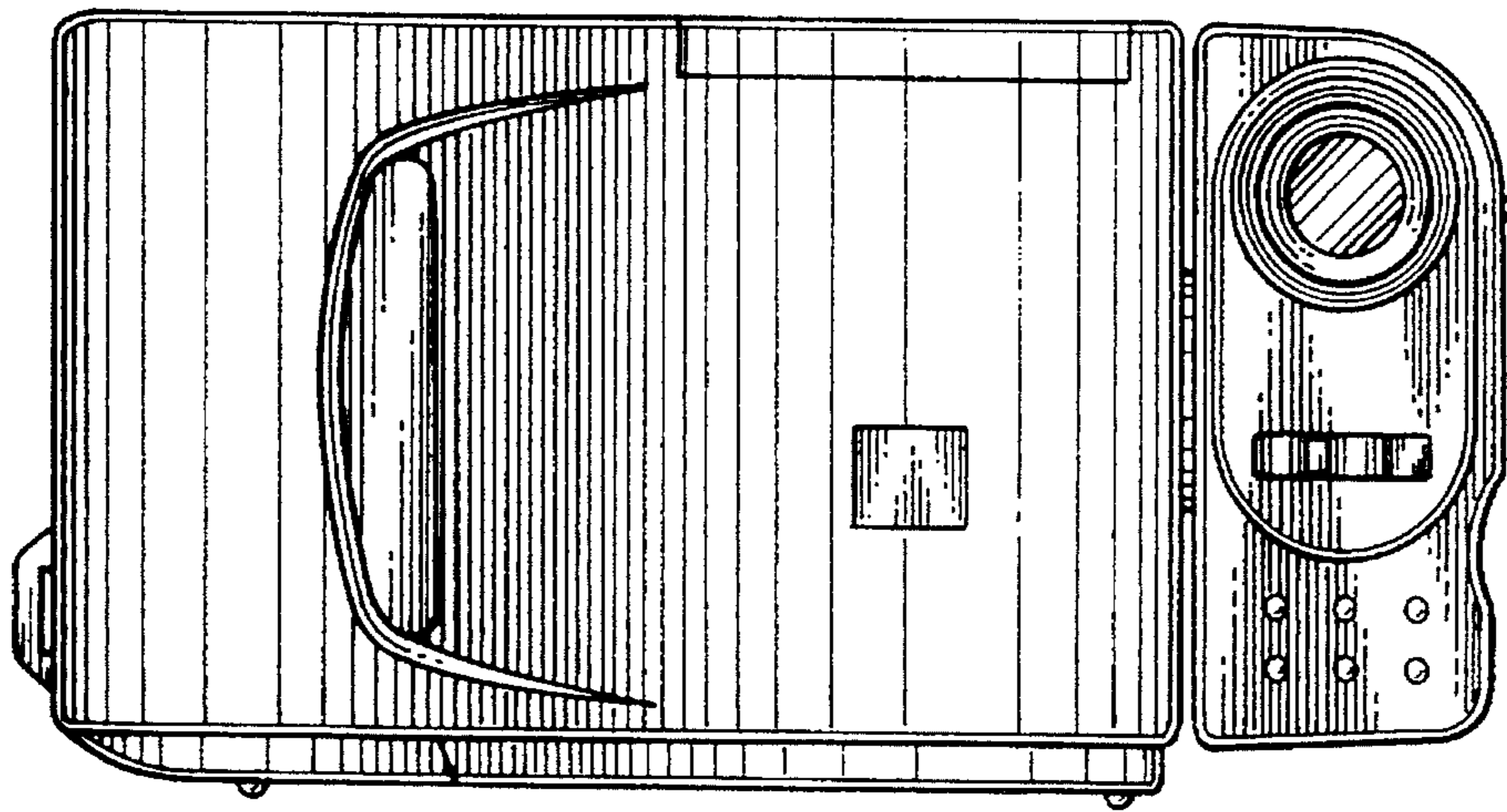


FIG. 7

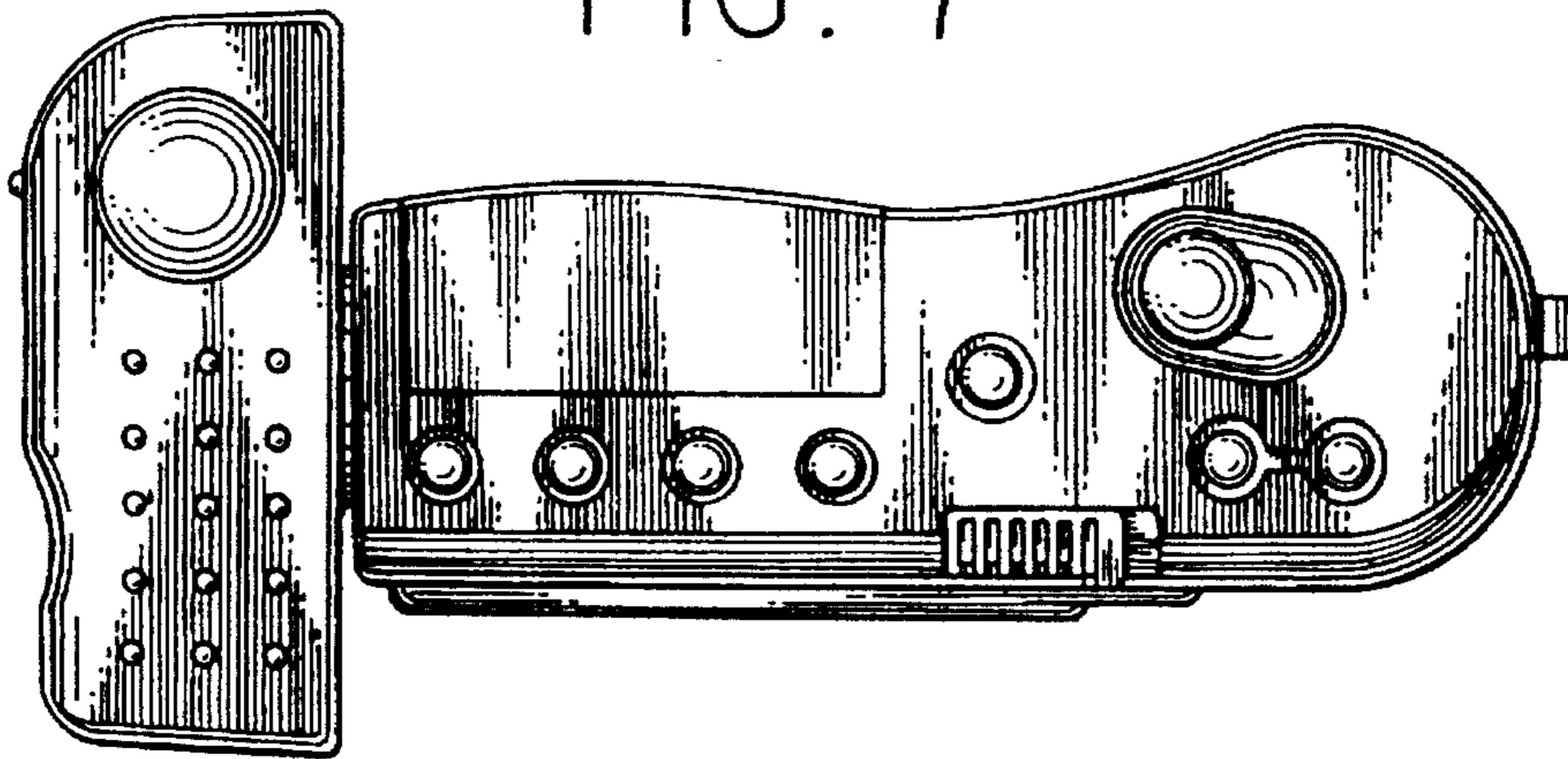


FIG. 8

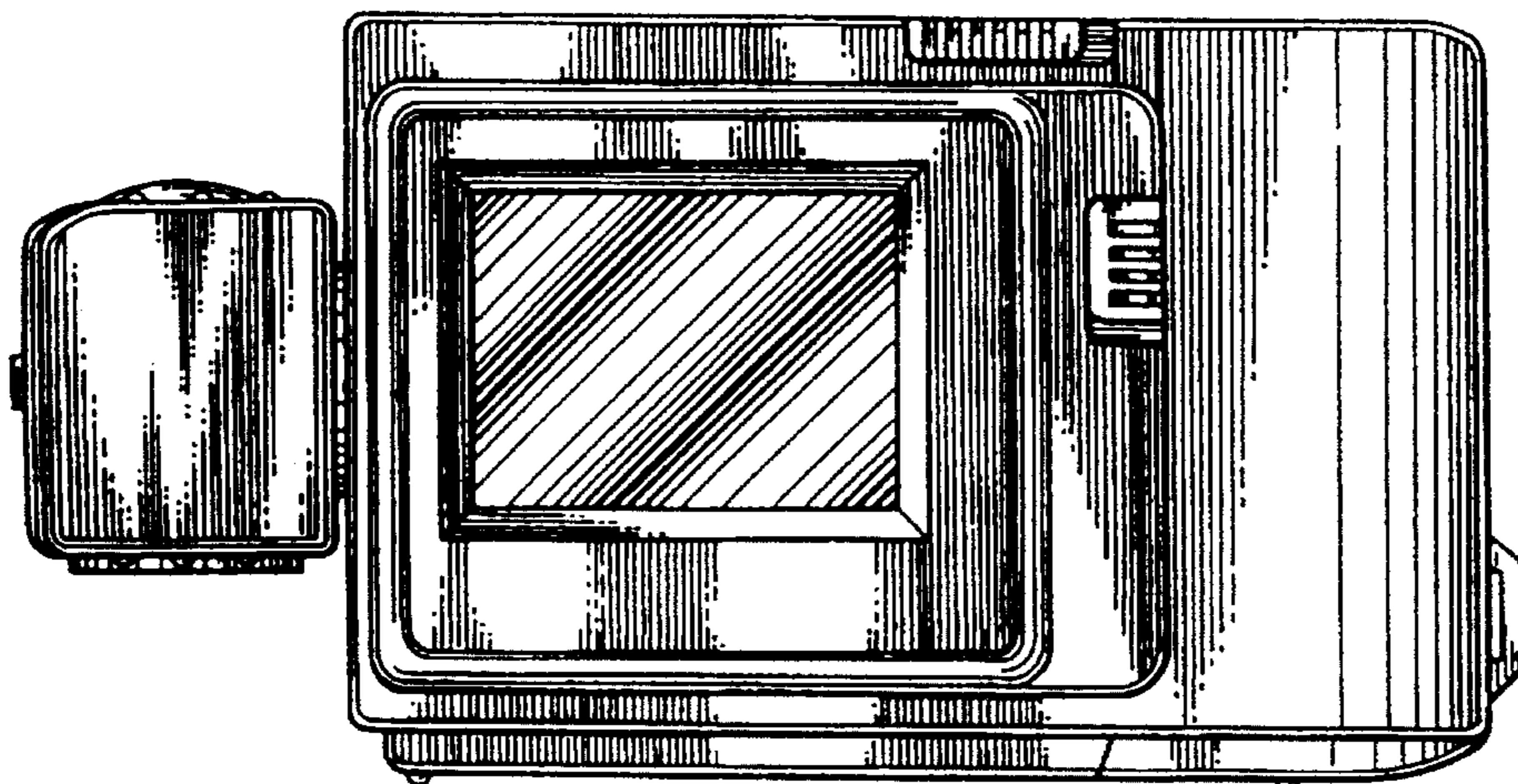
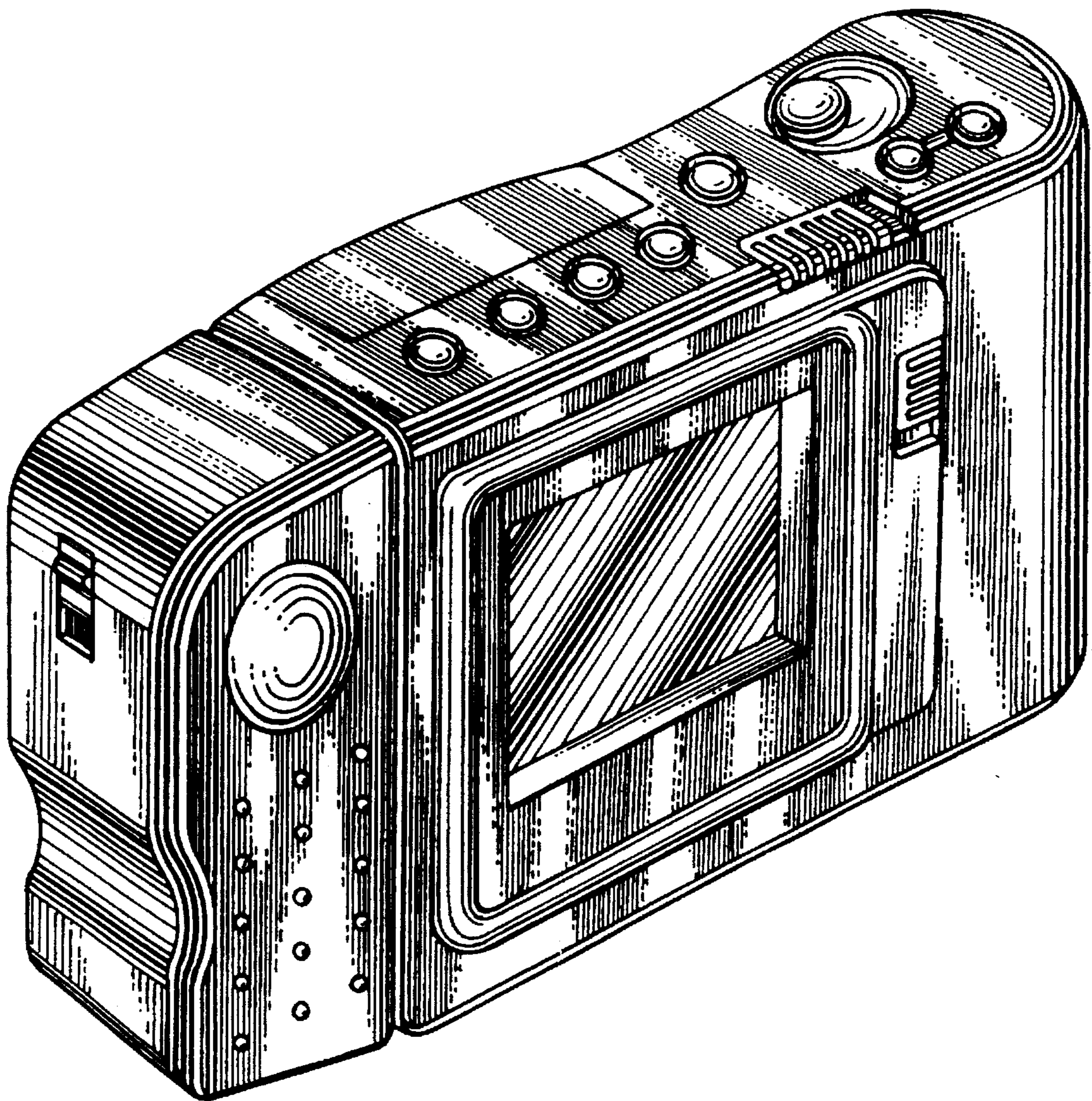


FIG. 9



UNITED STATES PATENT AND TRADEMARK OFFICE
CERTIFICATE OF CORRECTION

PATENT NO. : Des. 369,818
DATED : May 14, 1996
INVENTOR(S) : Ono

It is certified that error appears in the above-identified patent and that said Letters Patent is hereby corrected as shown below:

Line 9 (re FIG. 7), after "turned position;" delete
"and,";
Line 11 (re FIG. 8), after "turned position" delete
"." and insert --; and--;
After line 11 insert --FIG. 9 is a front, top, left
side perspective view thereof.--.

Signed and Sealed this
Eighteenth Day of March, 1997



BRUCE LEHMAN

Commissioner of Patents and Trademarks

Attest:

Attesting Officer