



US00D369817S

United States Patent [19]
Hauch

[11] **Patent Number: Des. 369,817**

[45] **Date of Patent: **May 14, 1996**

[54] **SEPARATOR ELEMENT FOR A TROMMEL CLEANER**

3,825,018 7/1974 Ferraro 130/30 H
4,469,230 9/1984 Gorlitz et al. 209/683
4,543,095 9/1985 Jensen 128/726 X

[75] Inventor: **David A. Hauch**, Afton, Minn.

Primary Examiner—Antoine Duval Davis
Attorney, Agent, or Firm—Craig M. Gregersen; Briggs and Morgan

[73] Assignee: **Carter Day International, Inc.**, Minneapolis, Minn.

[**] Term: **14 Years**

[57] **CLAIM**

[21] Appl. No.: **34,217**

The ornamental design for a separator element for a trommel cleaner, shown and described.

[22] Filed: **Jan. 30, 1995**

DESCRIPTION

[52] U.S. Cl. **D15/147; D32/25**

[58] **Field of Search** D15/147; D27/18, D27/21, 25, 28, 29; D32/25, 26; 209/95, 299, 379, 405, 683, 687, 917-919

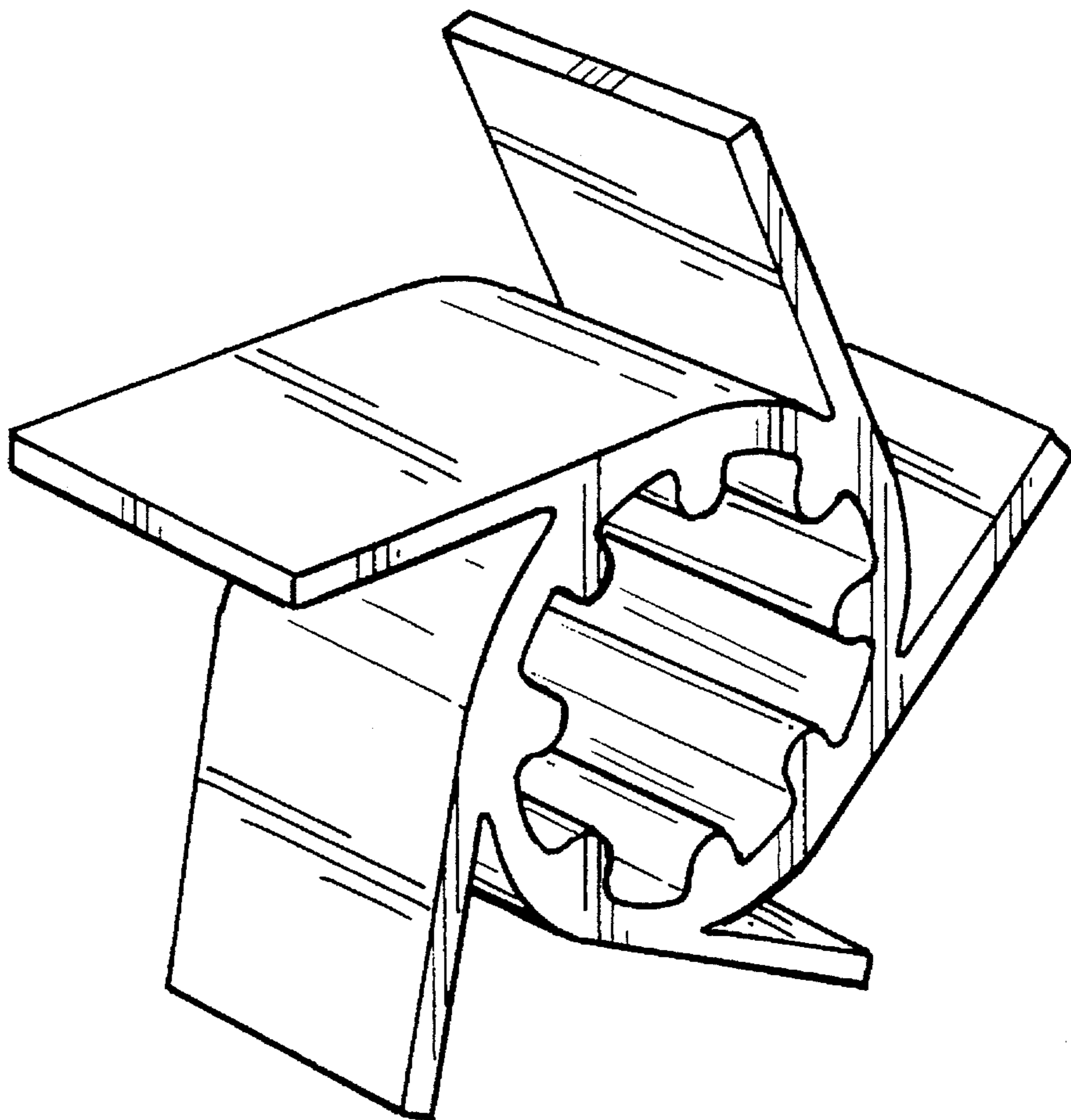
FIG. 1 is a perspective of a separator element for a trommel cleaner in accord with the present invention;
FIG. 2 is a front view of the separator element for a trommel cleaner shown in FIG. 1;
FIG. 3 is a side elevation view of the separator element for a trommel cleaner shown in FIG. 1;
FIG. 4 is a side elevation view of the separator element for a trommel cleaner shown in FIG. 1 showing the side opposite to that shown in FIG. 3;
FIG. 5 is a top plan view of the separator element for a trommel cleaner shown in FIG. 1; and,
FIG. 6 is a bottom plan view of the separator element for a trommel cleaner shown in FIG. 1.

[56] **References Cited**

U.S. PATENT DOCUMENTS

227,883	5/1880	Collins .	
256,066	4/1882	Stansfield .	
309,716	12/1884	Heine .	
311,622	2/1885	Wehner .	
1,120,083	12/1914	Rich .	
1,361,051	12/1920	Hamachek	209/299 X
1,405,914	2/1922	Hamachek	209/299 X
2,478,246	8/1949	Cortese et al.	209/95
3,351,200	11/1967	Burenga	209/299

1 Claim, 2 Drawing Sheets



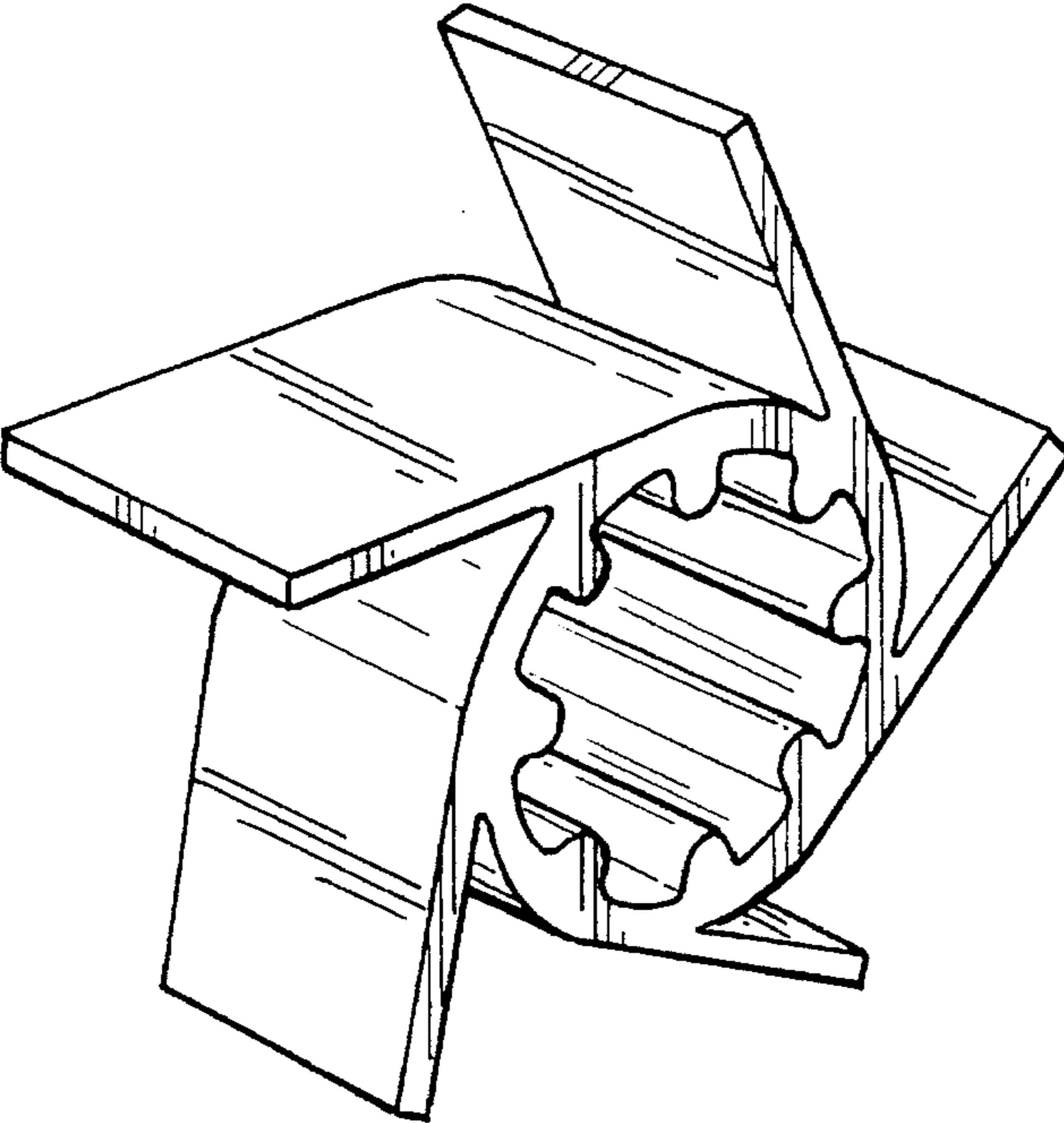


FIG. 1

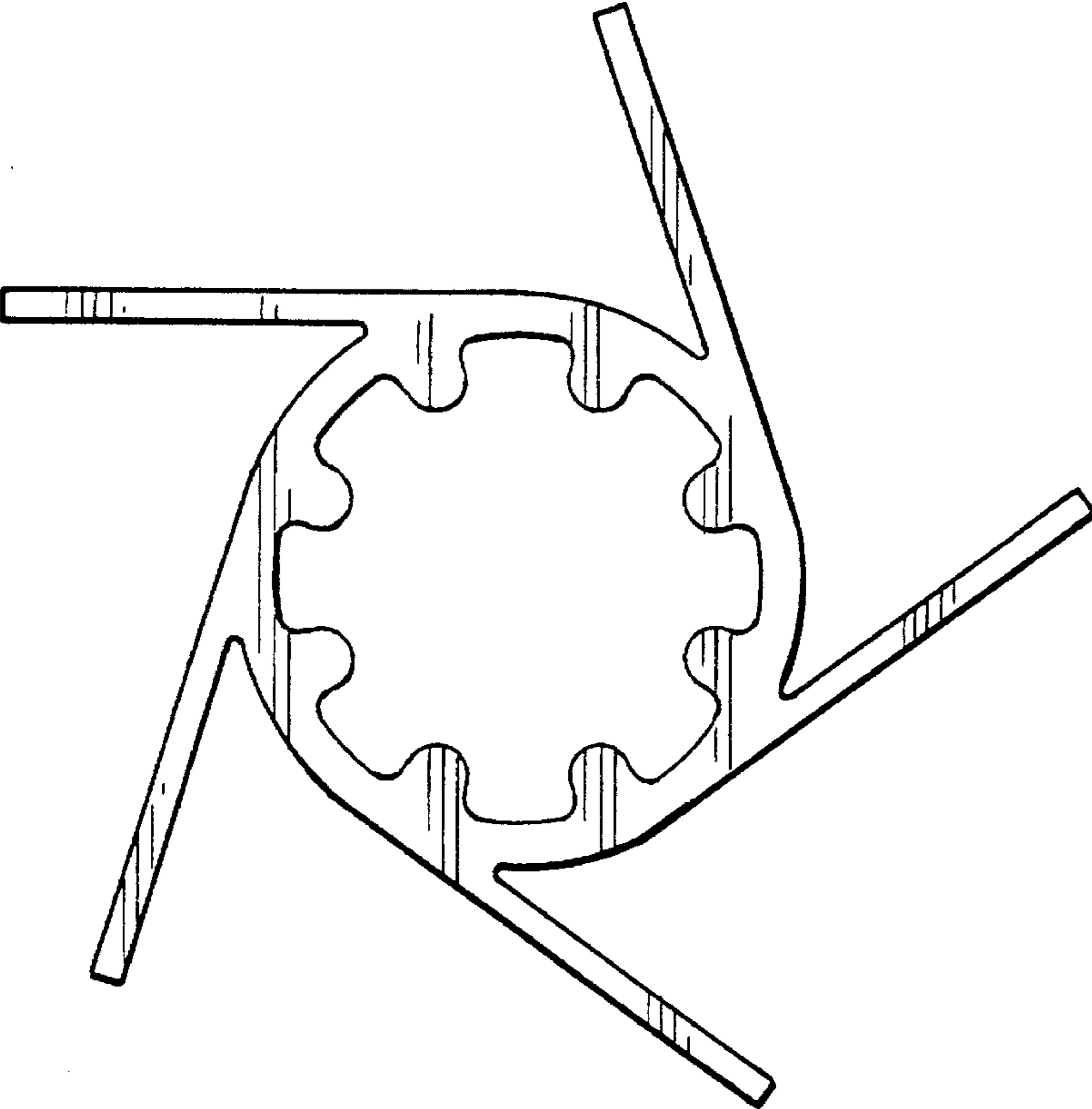


FIG. 2

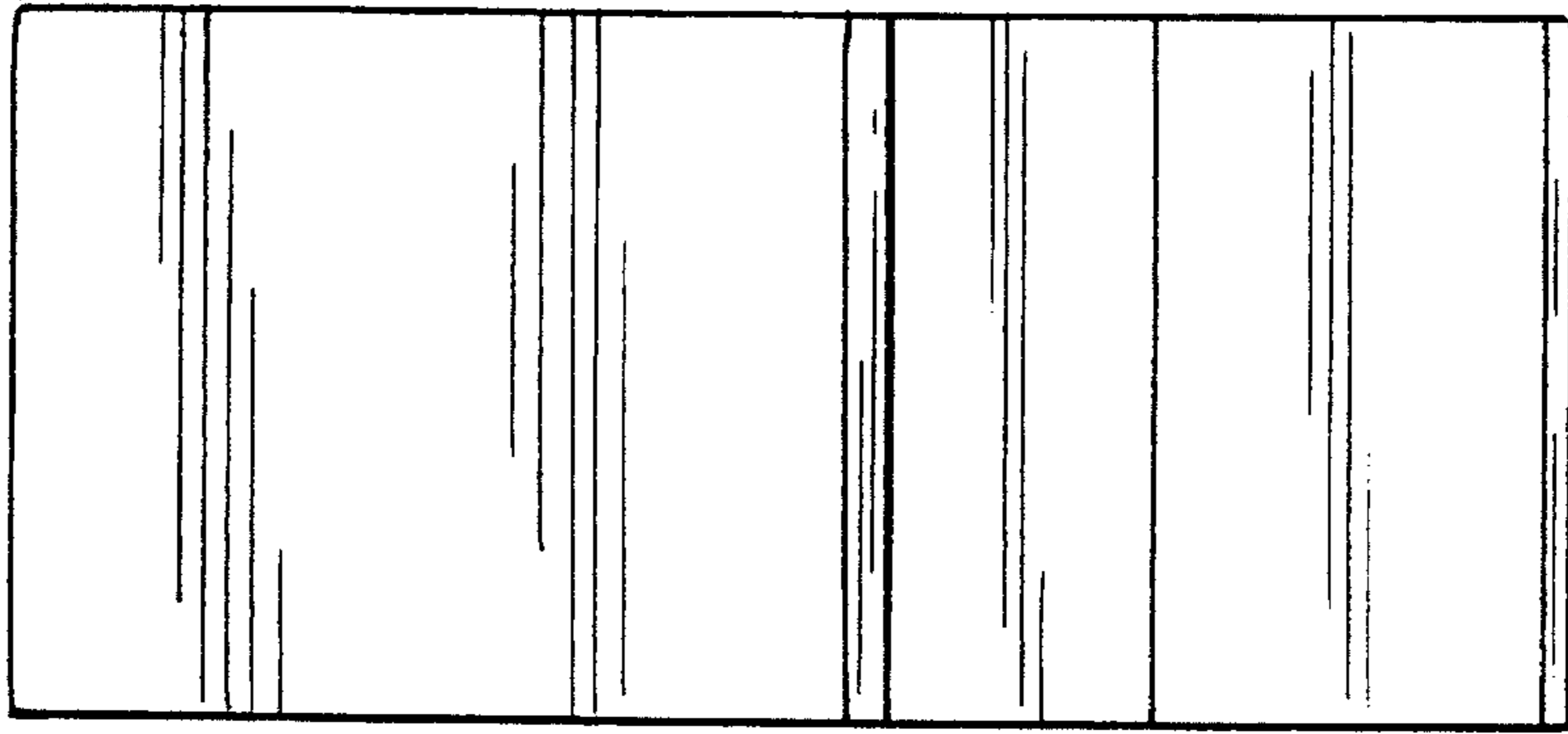


FIG. 5

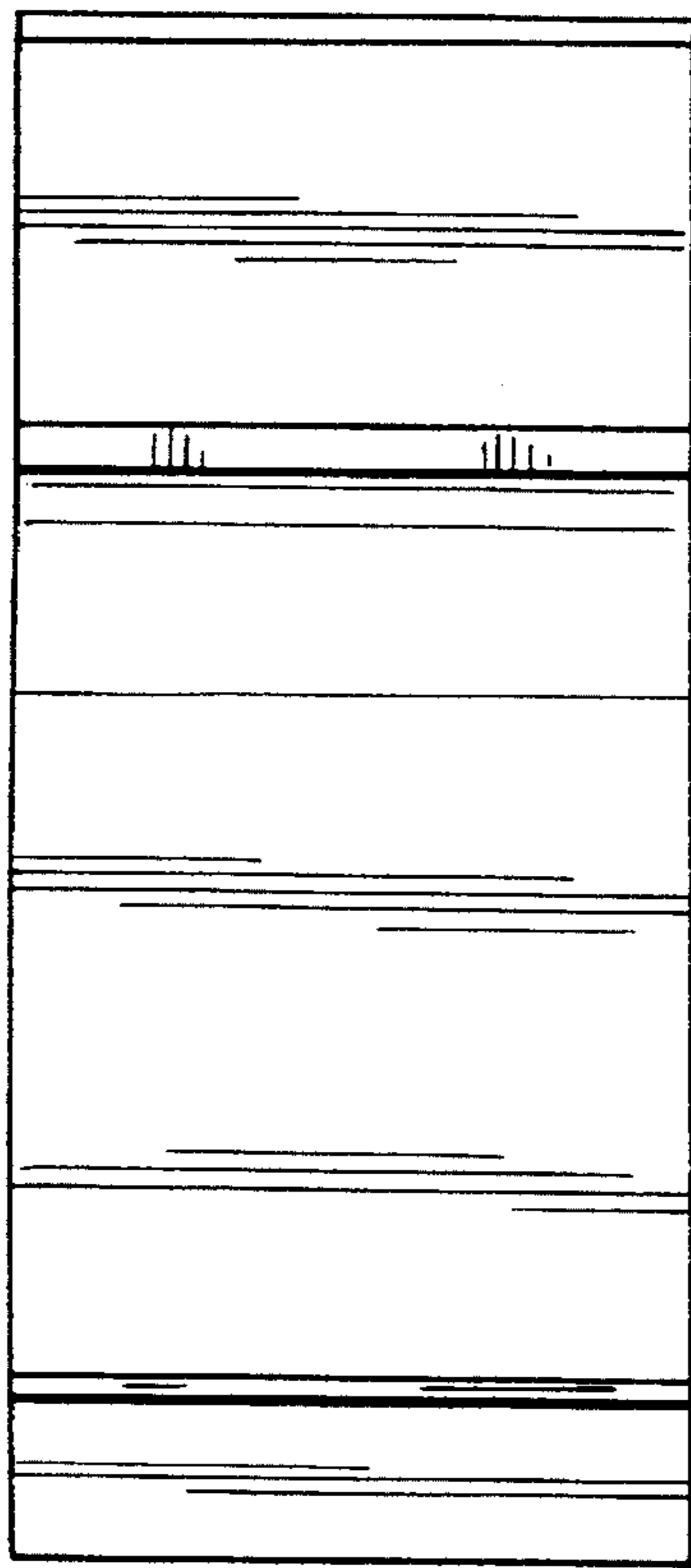


FIG. 4

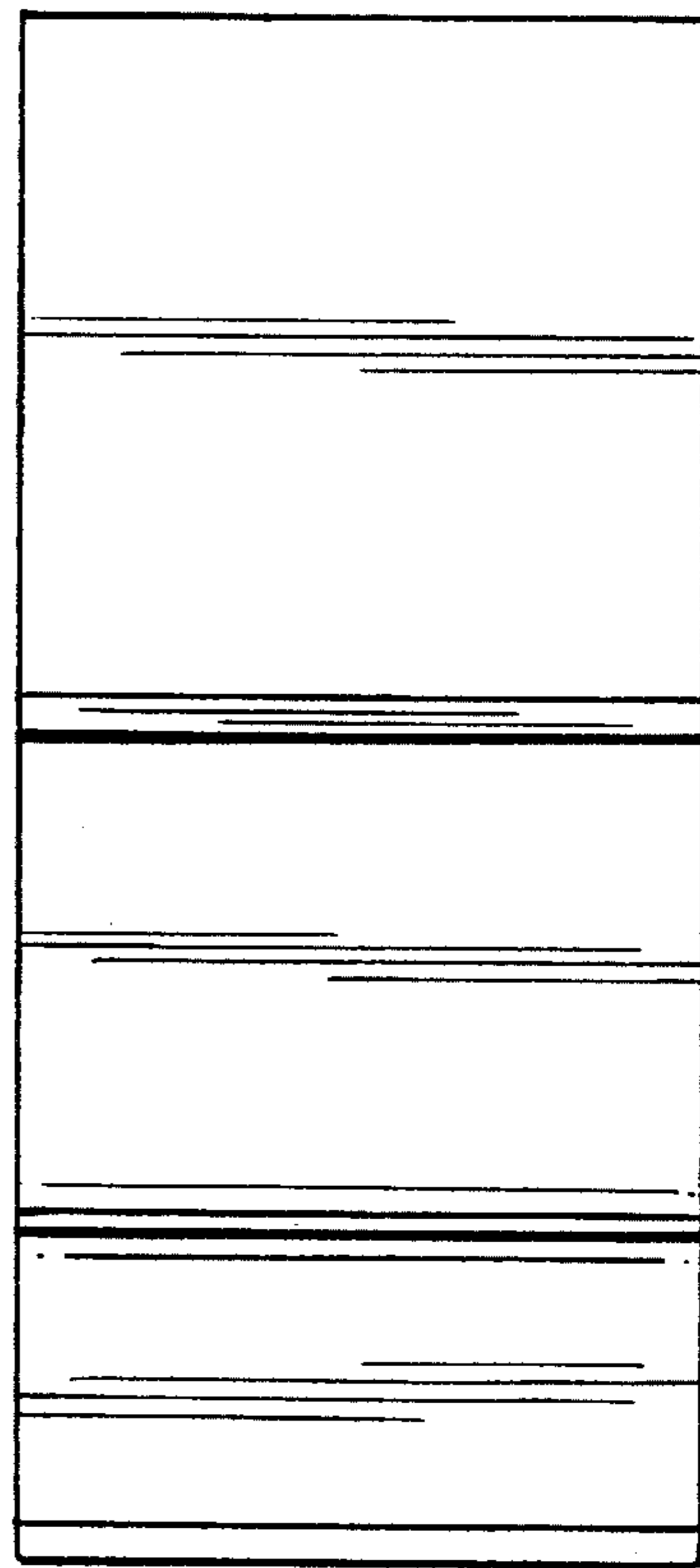


FIG. 3

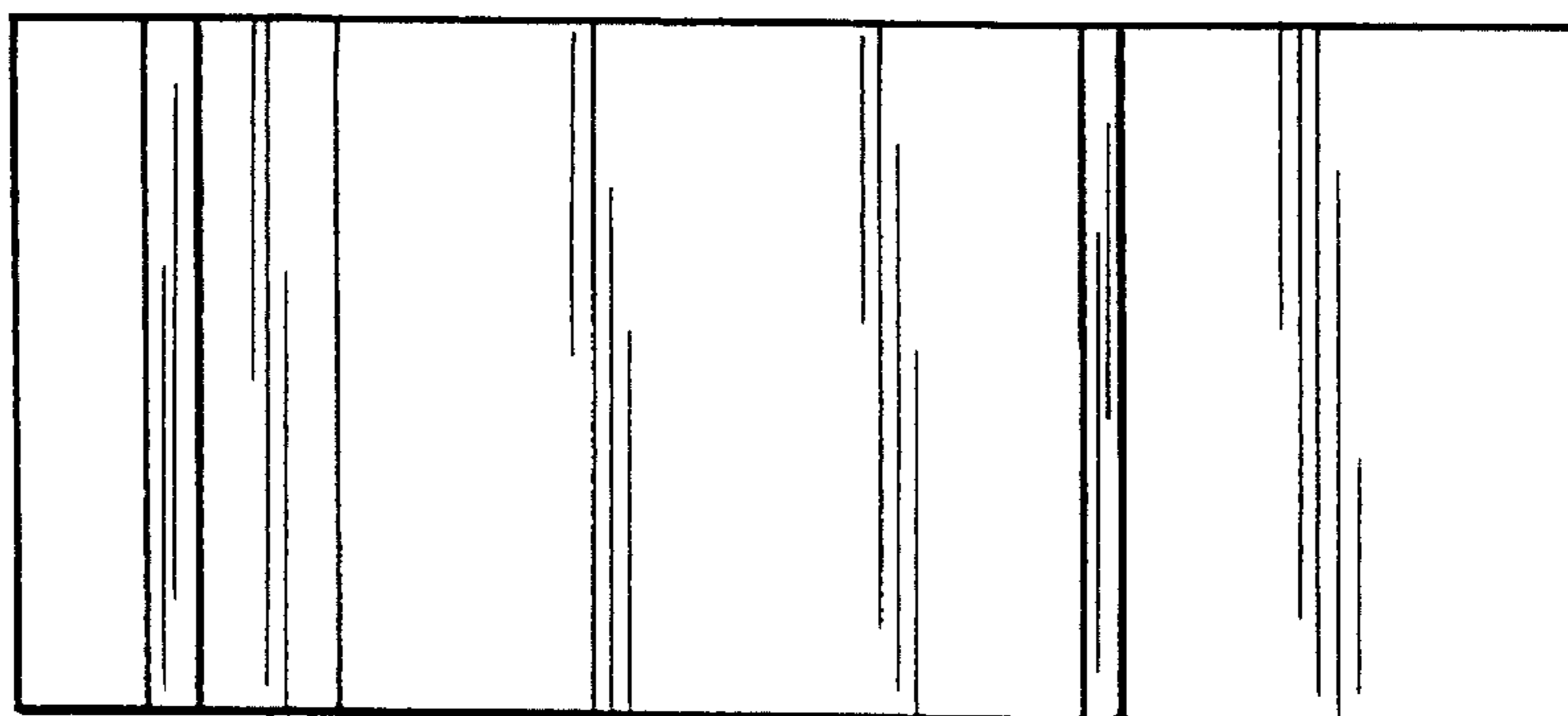


FIG. 6