



US00D369815S

**United States Patent** [19]  
**Denning**

[11] **Patent Number: Des. 369,815**

[45] **Date of Patent: \*\*May 14, 1996**

[54] **ASPHALT REPAIR TOOL**

4,850,740 7/1989 Wiley .  
4,968,101 11/1990 Bossow .

[76] Inventor: **Don W. Denning**, 433 Denmark St.,  
Burlington, Iowa 52601

*Primary Examiner*—Ted Shooman  
*Assistant Examiner*—Richelle Shelton  
*Attorney, Agent, or Firm*—Dennis H. Lambert

[\*\*] Term: **14 Years**

[21] Appl. No.: **34,120**

[57] **CLAIM**

[22] Filed: **Jan. 27, 1995**

The ornamental design for an asphalt repair tool, as shown and described.

[52] U.S. Cl. .... **D15/139**

[58] Field of Search ..... D8/14; D15/139;  
404/75, 87, 89, 93, 112; 81/176.15

**DESCRIPTION**

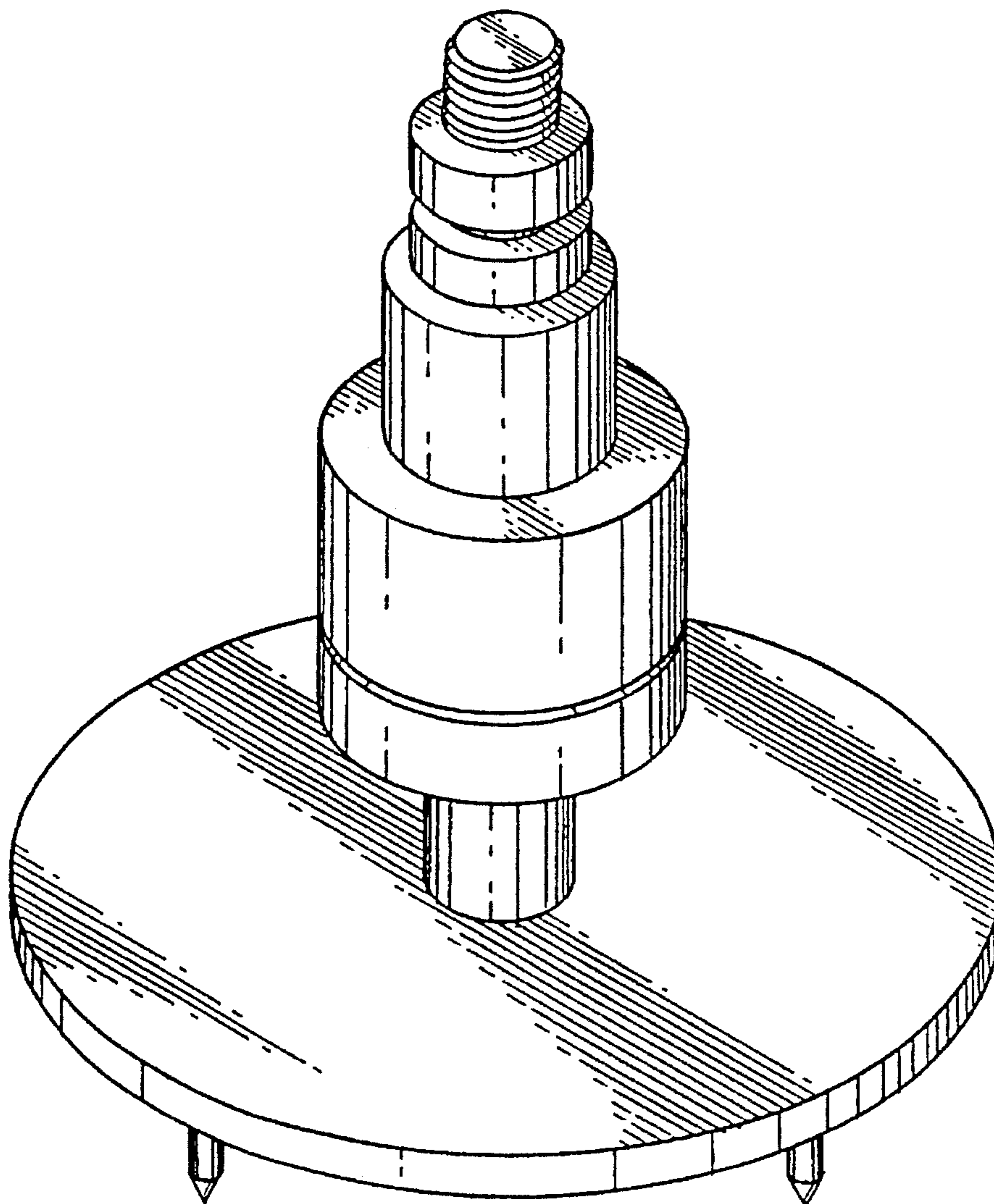
[56] **References Cited**

FIG. 1 is a perspective view of an asphalt repair tool showing my new design;  
FIG. 2 is a front elevation view thereof; the rear, right side, and left side elevation views being identical;  
FIG. 3 is a top plan view thereof; and,  
FIG. 4 is a bottom plan view thereof.

**U.S. PATENT DOCUMENTS**

- 3,043,171 7/1962 Lederer ..... 81/176.15
- 3,699,854 10/1972 Doherty .
- 3,915,582 10/1975 Clarke .
- 4,198,177 4/1980 Ray, Jr. et al. .
- 4,761,038 8/1988 Hackmack .

**1 Claim, 2 Drawing Sheets**



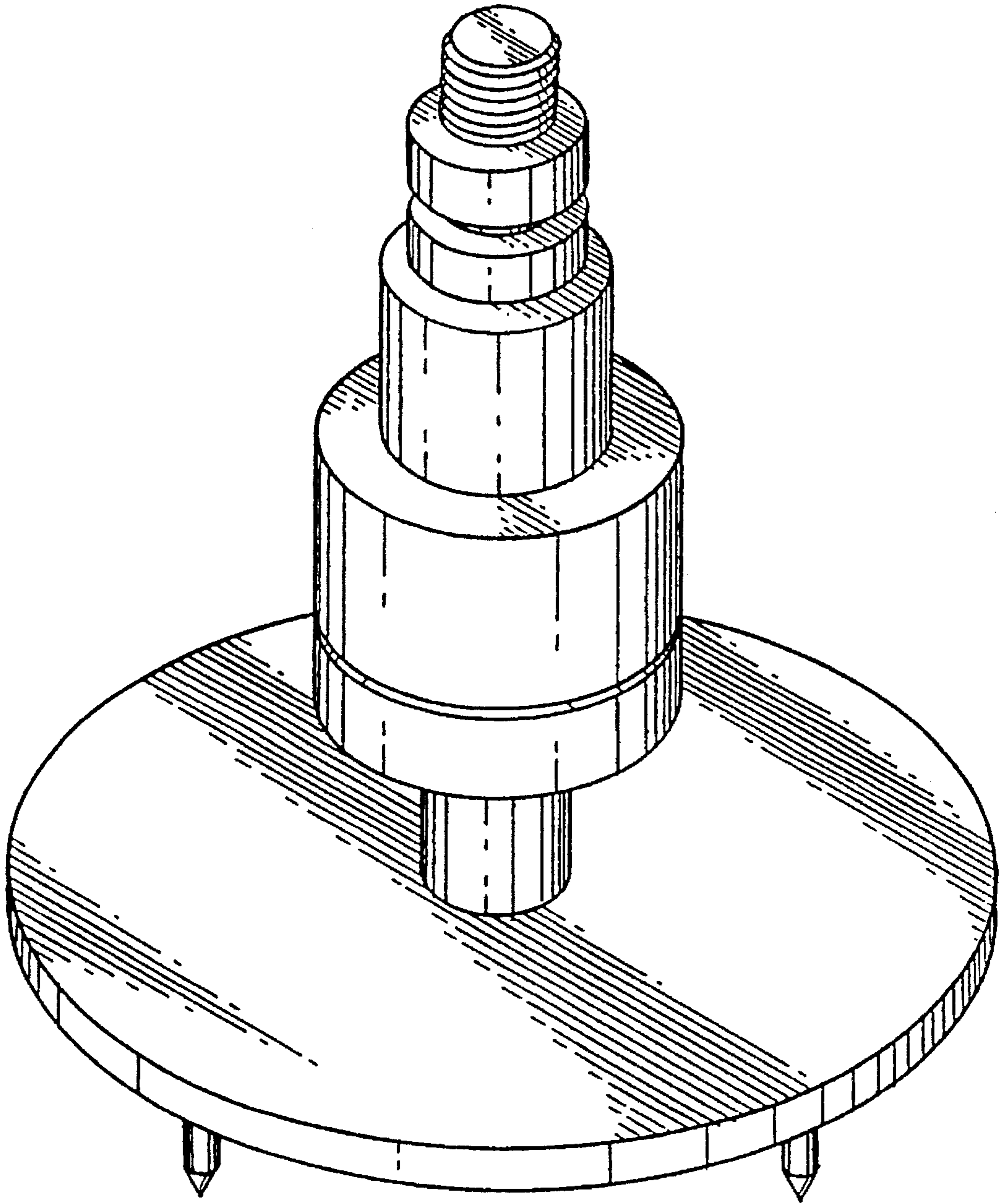


FIG. 1

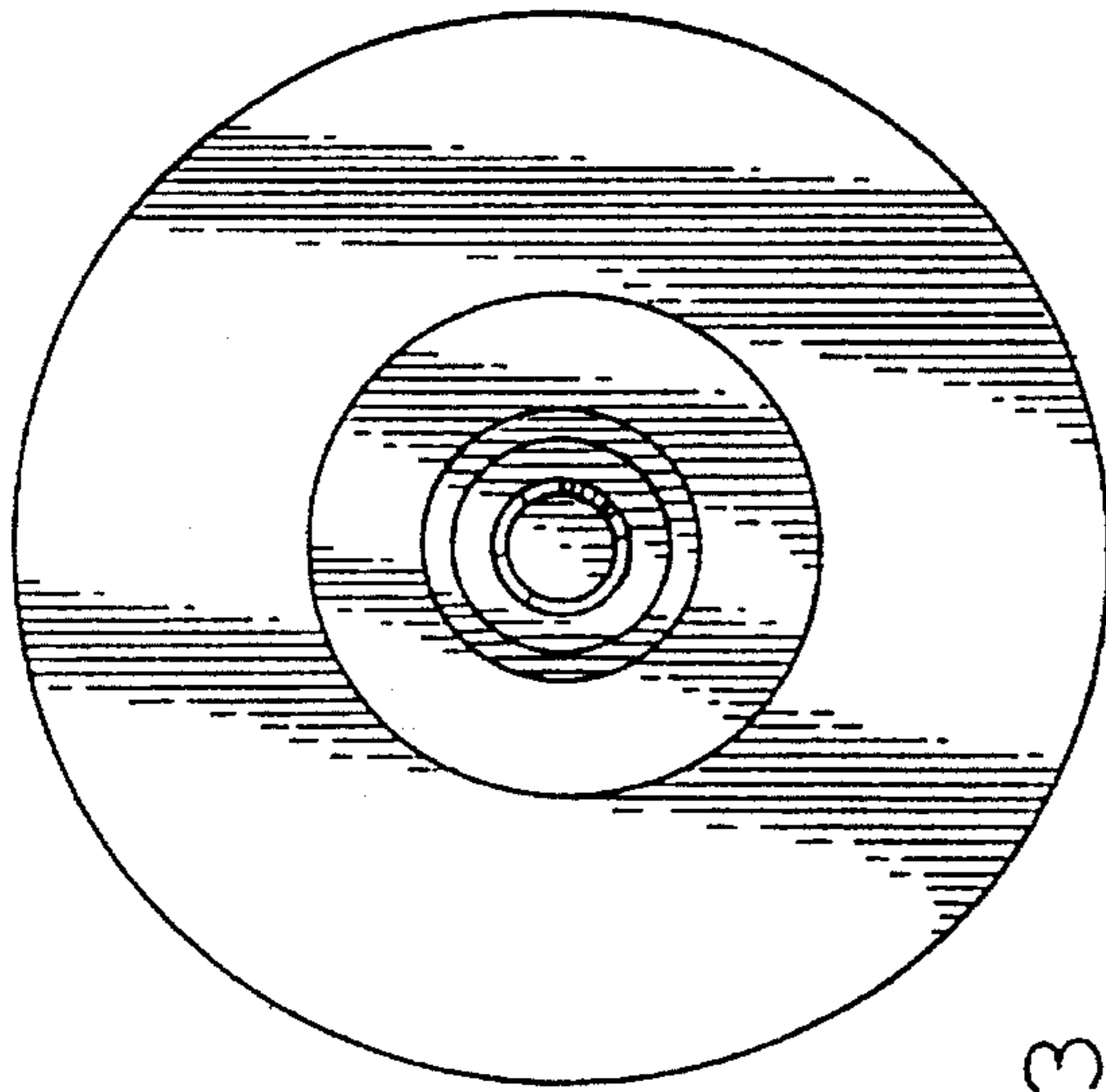


FIG. 3

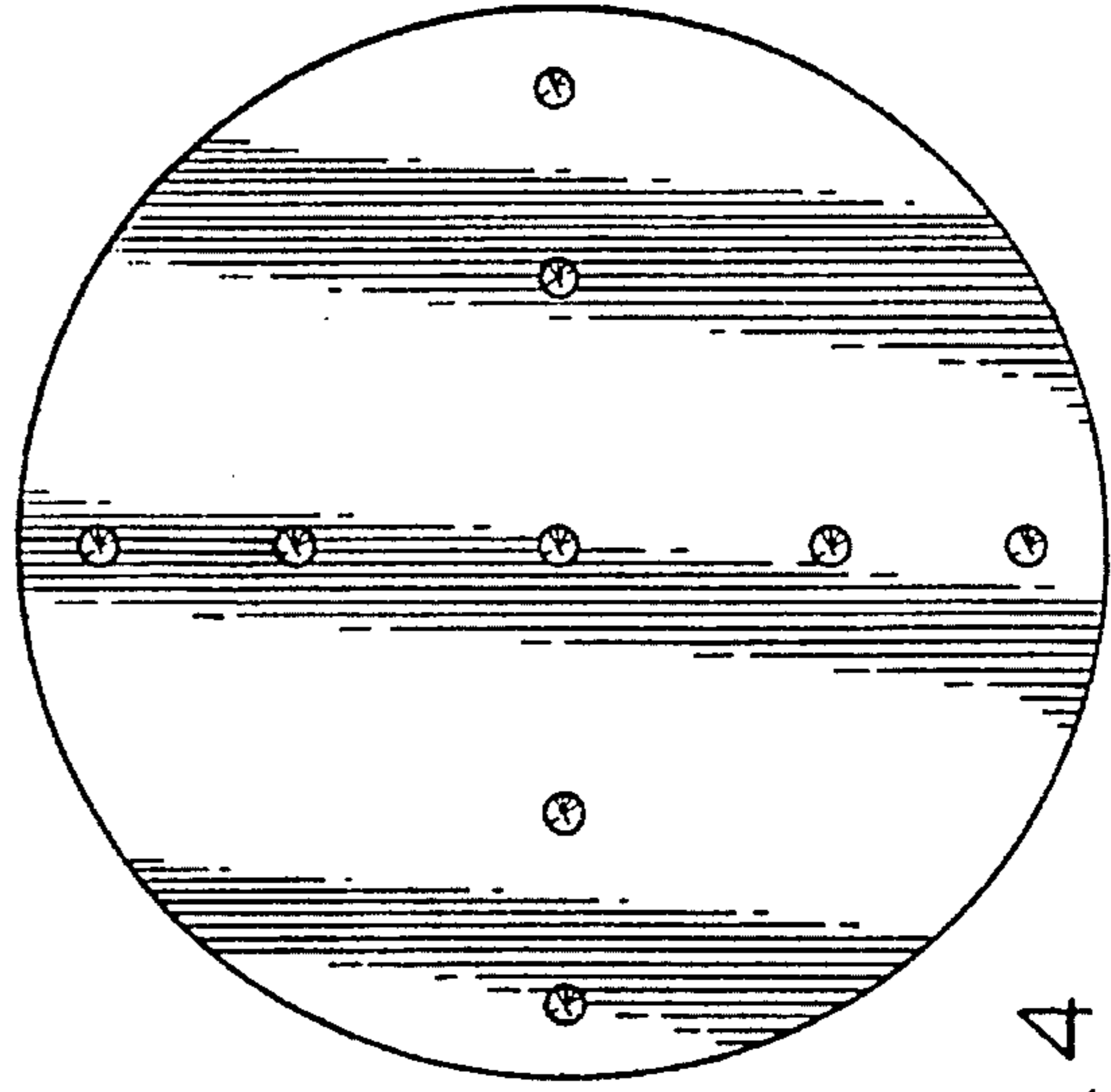


FIG. 4

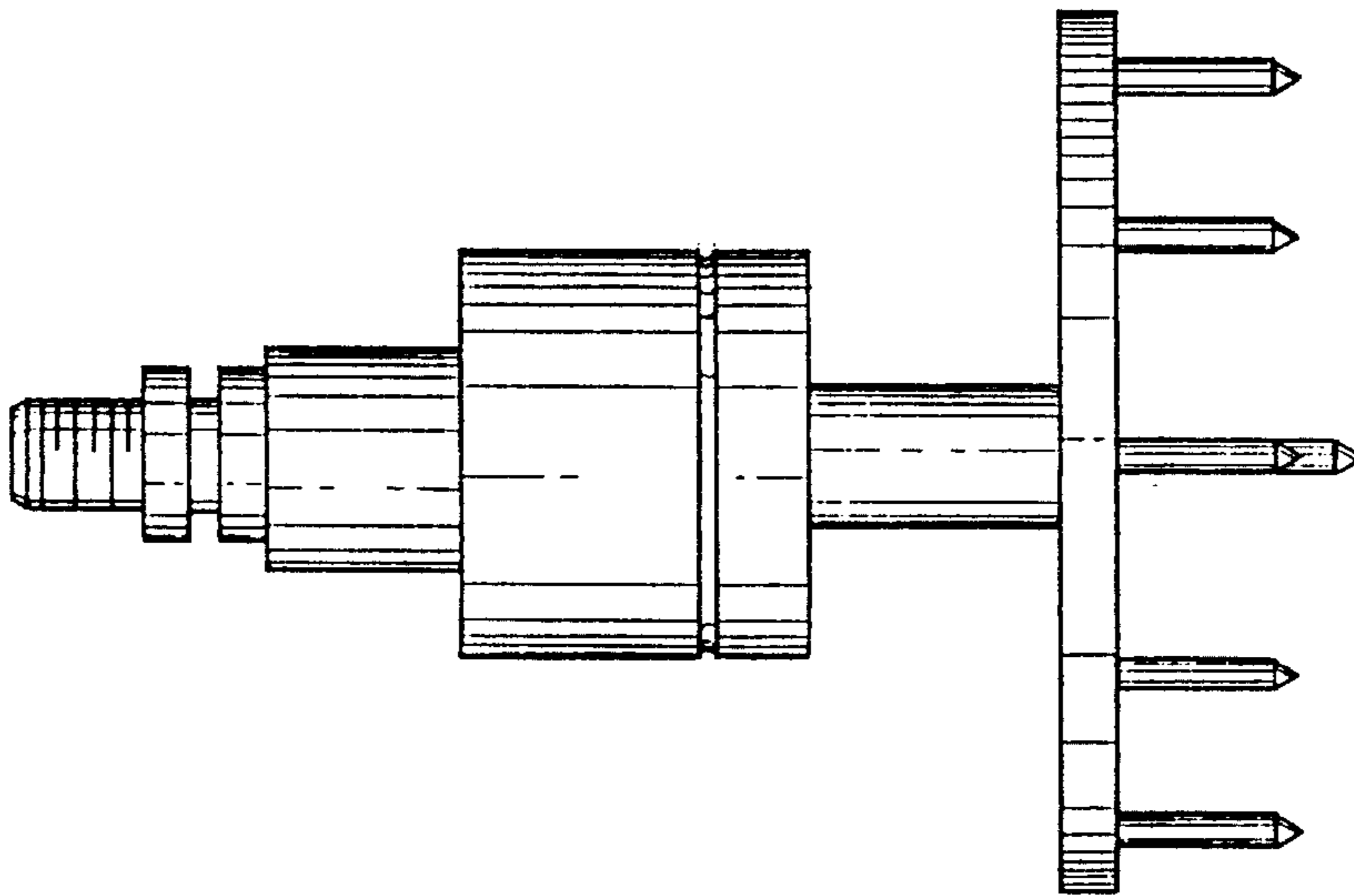


FIG. 2