



US00D369813S

**United States Patent** [19]  
**Wu**

[11] **Patent Number: Des. 369,813**

[45] **Date of Patent: \*\*May 14, 1996**

[54] **SEWING MACHINE**

D. 255,360 6/1980 Sibuya et al. .... D15/68

[76] Inventor: **Chao-Jung Wu**, No. 36, 135 Lane,  
Jyh-shan Rd., Da-Li Village, Taichung  
Hsien, Taiwan

**OTHER PUBLICATIONS**

[\*\*] Term: **14 Years**

“Design” Nov. 1981 p. 50 Sewing Machine, right.

[21] Appl. No.: **18,190**

“Form” p. 19 Braun-Preis Sewing Machine.

[22] Filed: **Feb. 1, 1994**

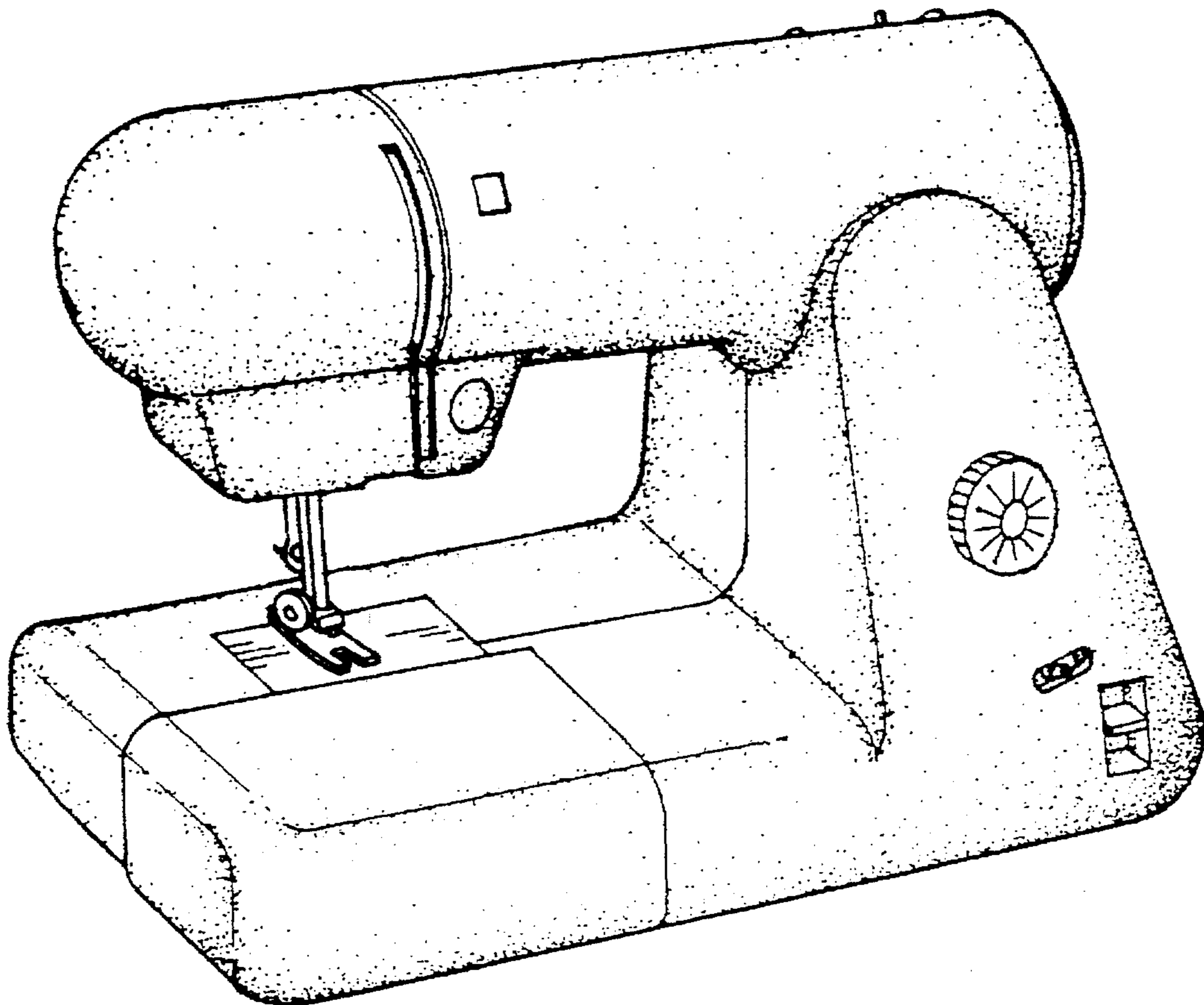
[52] U.S. Cl. .... **D15/69**

[58] Field of Search ..... D15/66-72; 112/217.1-217.4,  
112/258-262.1

[56] **References Cited**

**U.S. PATENT DOCUMENTS**

D. 217,511 5/1970 Zanuso et al. .... D15/68  
D. 243,841 3/1977 Arvai ..... D15/69



*Primary Examiner*—Sandra L. Morris  
*Attorney, Agent, or Firm*—Bacon & Thomas

[57]

**CLAIM**

The ornamental design for a sewing machine, as shown and described.

**DESCRIPTION**

FIG. 1 is a perspective view of a sewing machine showing

my new design;

FIG. 2 is a front elevational view thereof;

FIG. 3 is a rear elevational view thereof;

FIG. 4 is a top plan view thereof;

FIG. 5 is a bottom plan view thereof;

FIG. 6 is a left side elevational view thereof; and,

FIG. 7 is a right side elevational view thereof.

**1 Claim, 4 Drawing Sheets**

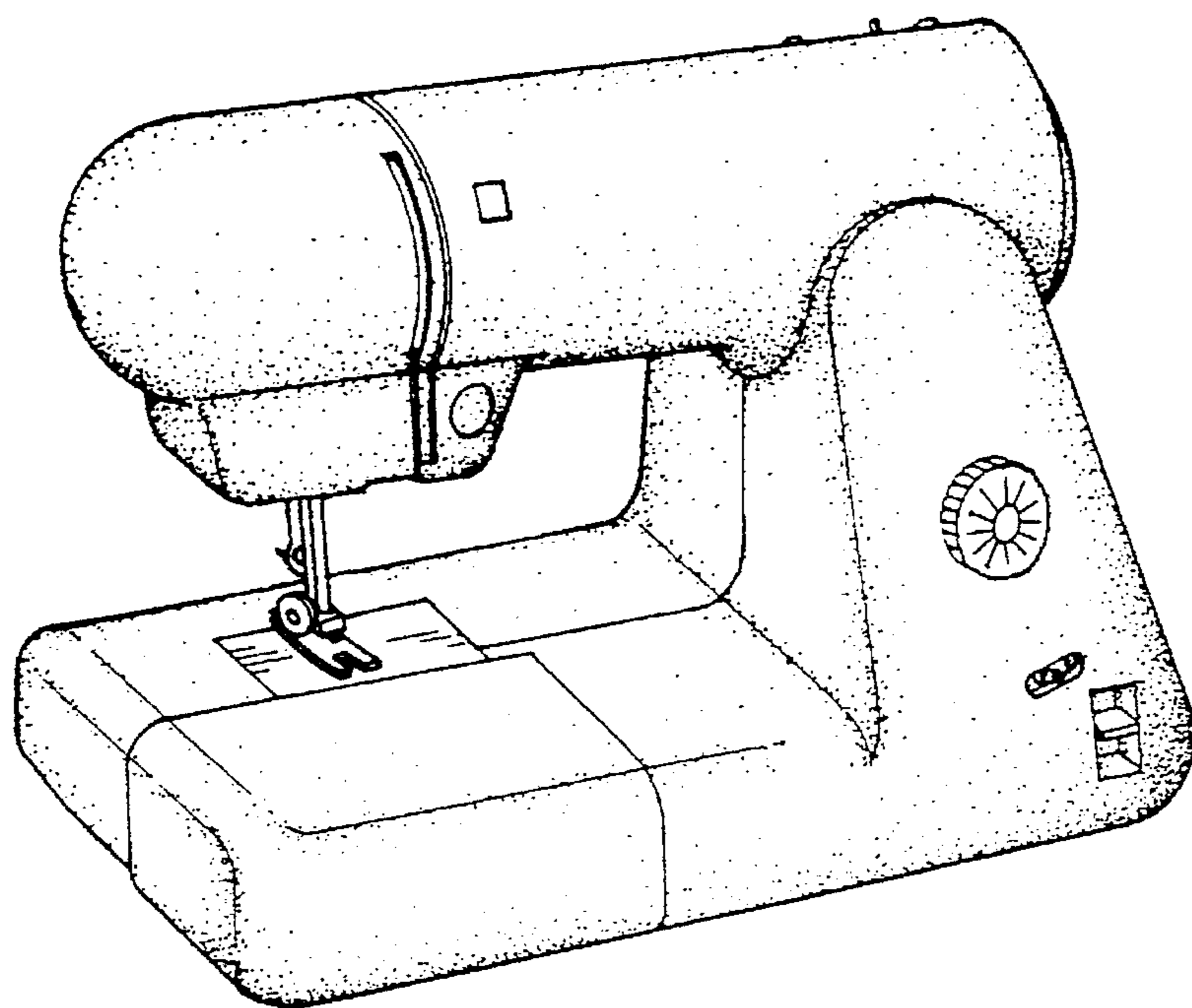


FIG. 1

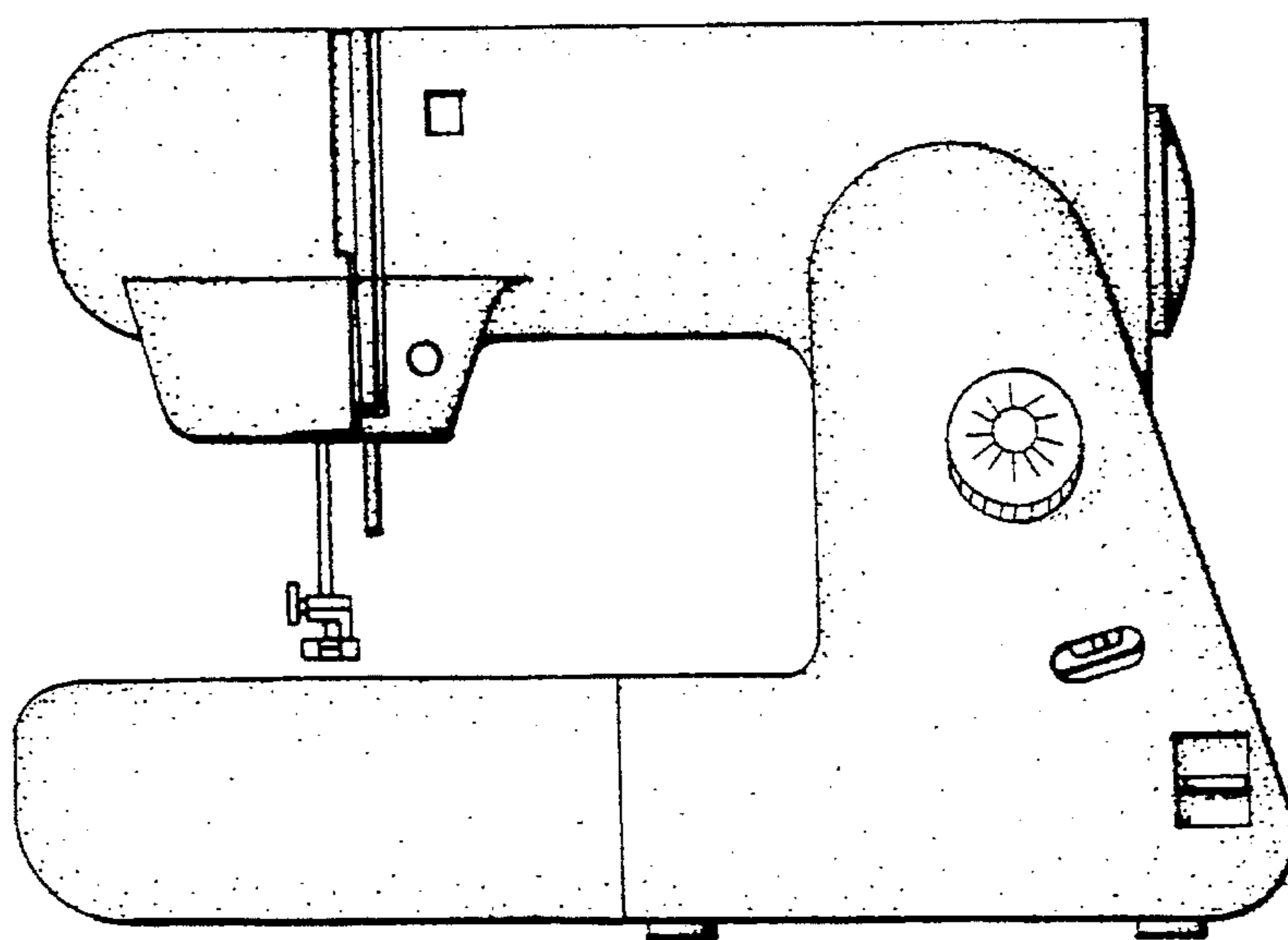


FIG. 2

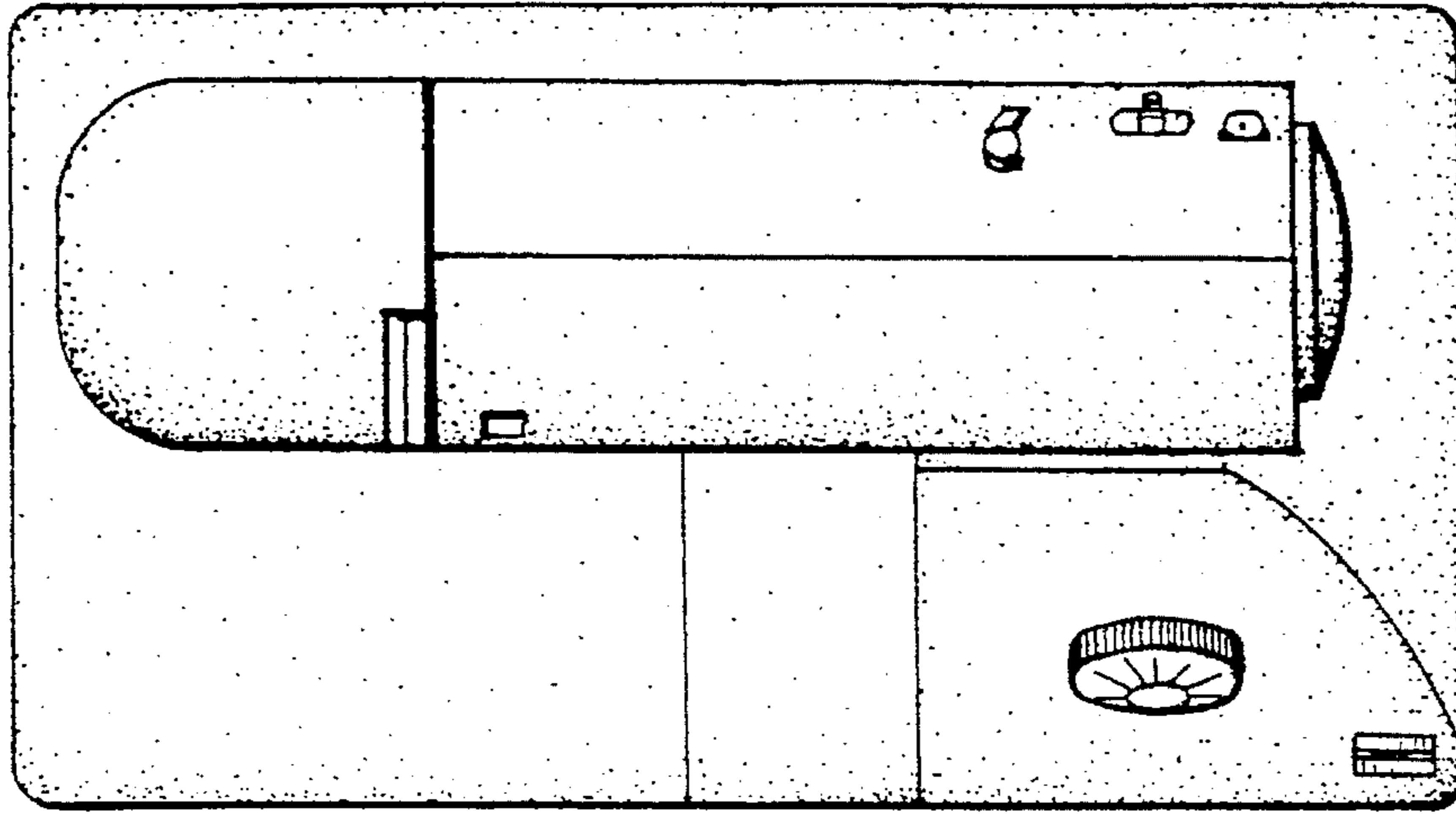


FIG. 4

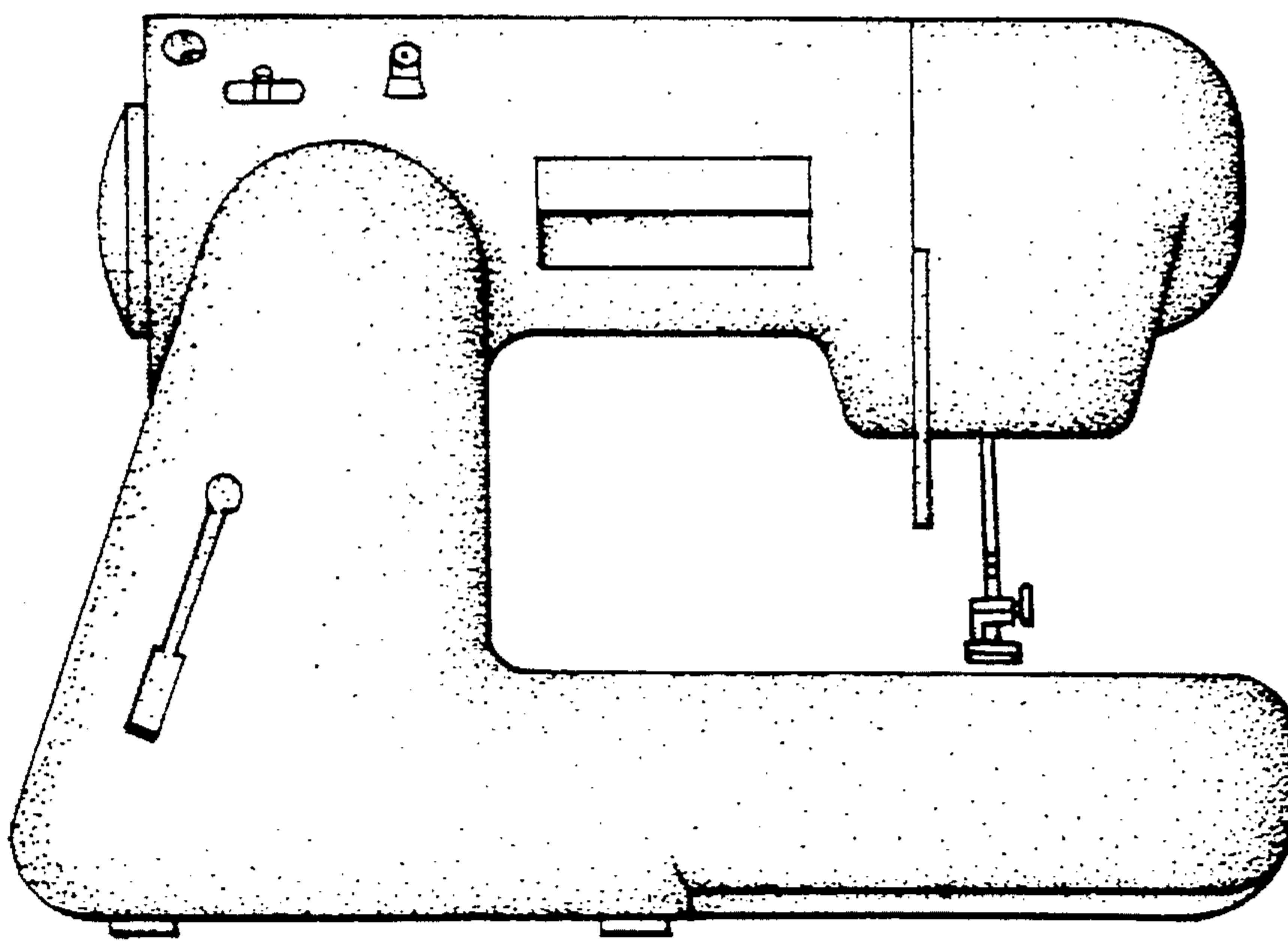


FIG. 3

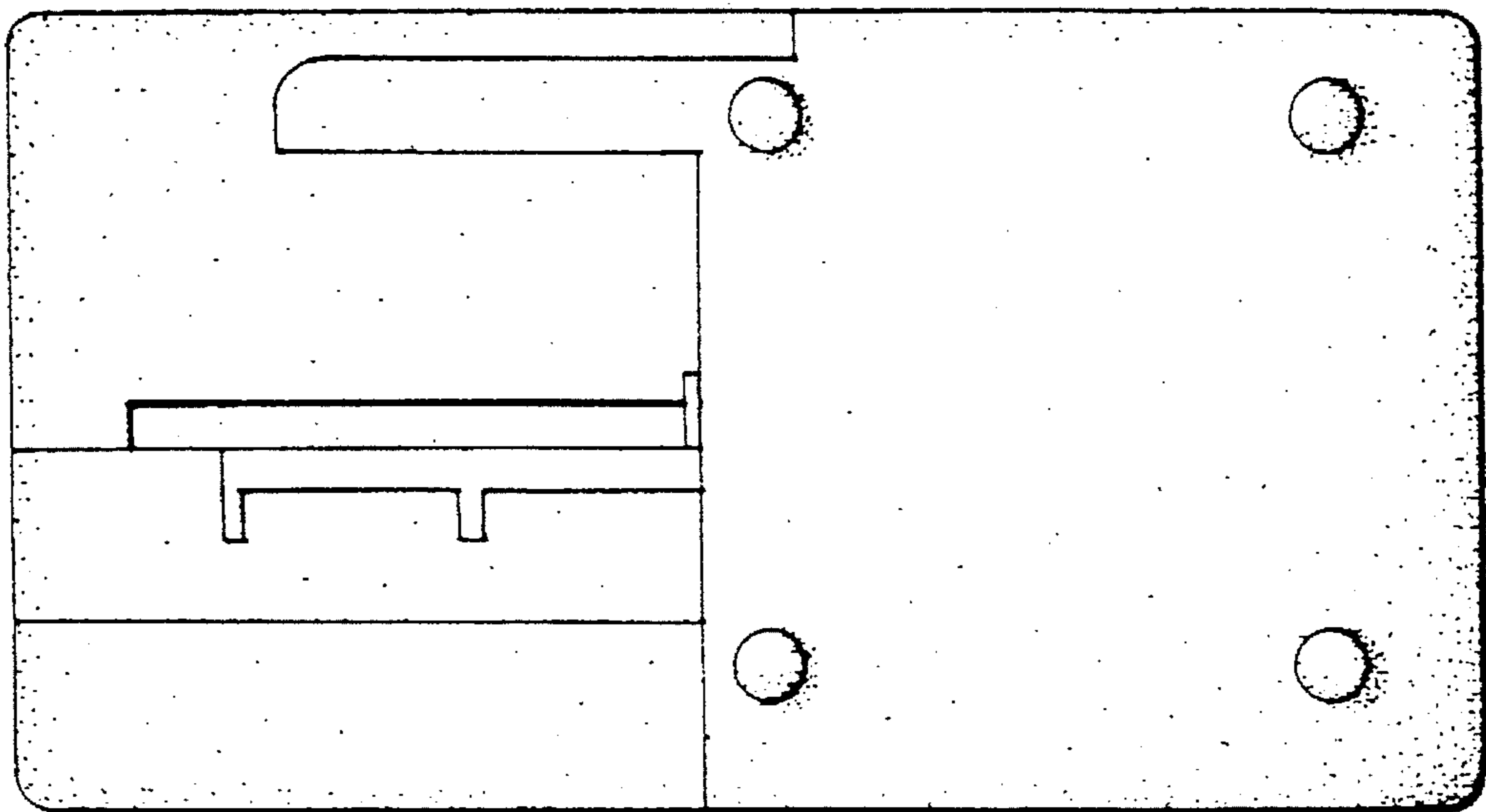


FIG 5

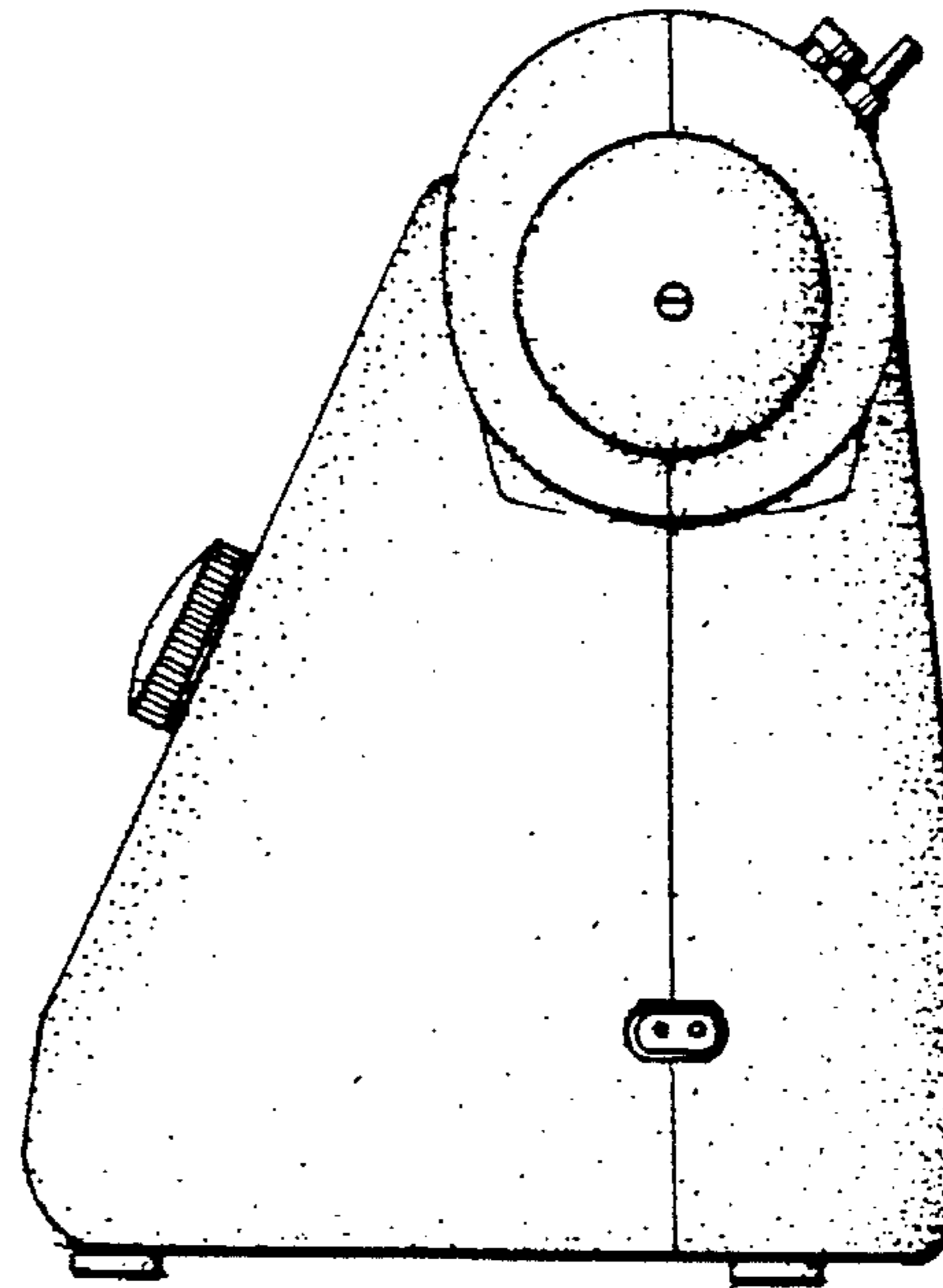


FIG. 7

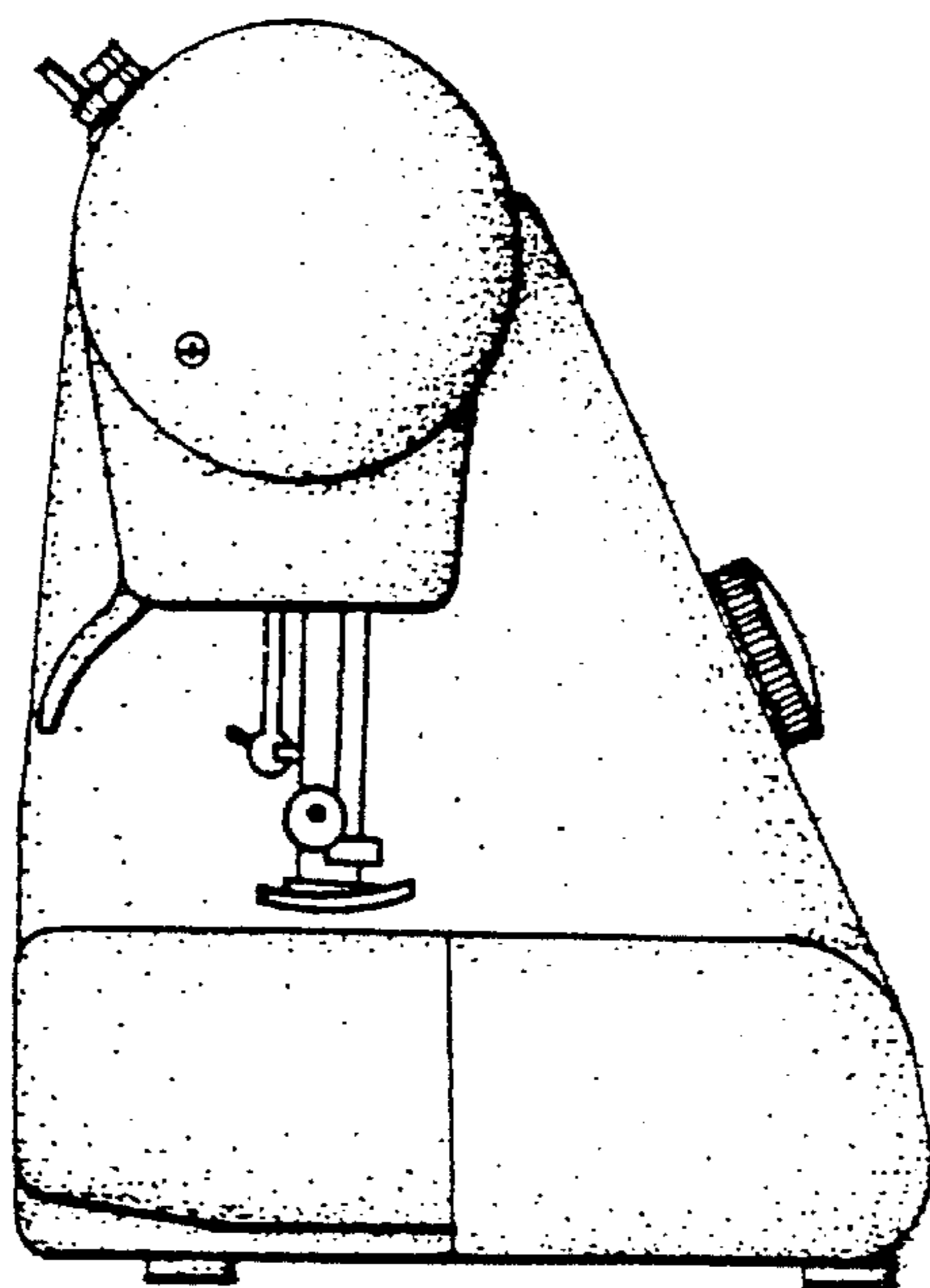


FIG. 6