



US00D369811S

# United States Patent [19] Chen

[11] Patent Number: **Des. 369,811**  
[45] Date of Patent: **\*\*May 14, 1996**

[54] **RECHARGEABLE MOBILE-PHONE  
HANDSET**

[76] Inventor: **Chien-shu Chen**, 4th Fl., No. 2-3, Lane  
313, Chang An St., Lu Chou Hsiang,  
Taipei Hsien, Taiwan

[\*\*] Term: **14 Years**

[21] Appl. No.: **42,126**

[22] Filed: **Aug. 1, 1995**

[52] U.S. Cl. .... **D14/248; D13/144; D14/138**

[58] Field of Search ..... D14/137, 138,  
D14/140, 142, 147, 148, 144, 248, 240,  
225, 228, 256; D21/111, 48, 13; D13/144;  
455/89, 90, 128; 379/58-61, 430, 433;  
439/668, 669, 675

[56] **References Cited**

**U.S. PATENT DOCUMENTS**

D. 250,709	1/1979	Sakaguchi	.....	D14/225
D. 252,084	6/1979	Fujita	.....	D14/225
D. 299,664	1/1989	Ferguson et al.	.....	D21/111
D. 303,954	10/1989	Michels et al.	.....	D13/144 X
D. 326,451	5/1992	Roegner	.....	D14/138

D. 336,472	6/1993	Lin	.....	D14/138
D. 341,123	11/1993	Hakanen et al.	.....	D13/144 X
D. 349,096	7/1994	Hyvonen	.....	D13/144 X
D. 350,744	9/1994	Hino	.....	D14/138
D. 356,571	3/1995	Garmon et al.	.....	D14/225
4,286,262	8/1981	Wahl	.....	455/128 X
5,170,067	12/1992	Baum et al.	.....	D13/144 X

*Primary Examiner*—Jeffrey Asch  
*Attorney, Agent, or Firm*—Morton J. Rosenberg; David I. Klein

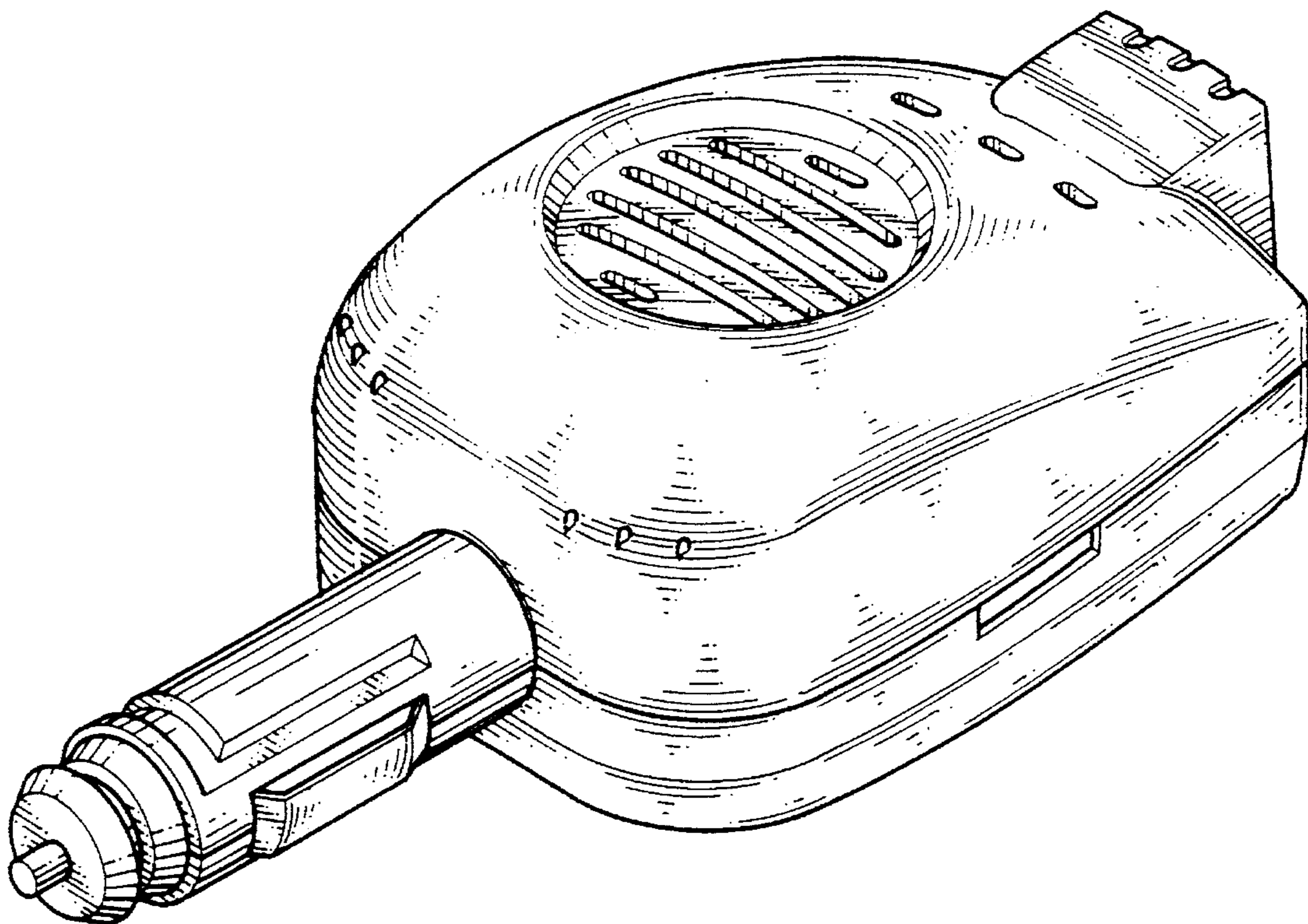
[57] **CLAIM**

The ornamental design for a rechargeable mobile-phone handset, as shown.

**DESCRIPTION**

FIG. 1 is a front-right-top perspective view of a rechargeable mobile-phone handset, showing my new design;  
FIG. 2 is a front view thereof;  
FIG. 3 is a rear view thereof;  
FIG. 4 is a left side view thereof;  
FIG. 5 is a right side view thereof;  
FIG. 6 is a top view thereof; and,  
FIG. 7 is a bottom view thereof.

**1 Claim, 3 Drawing Sheets**



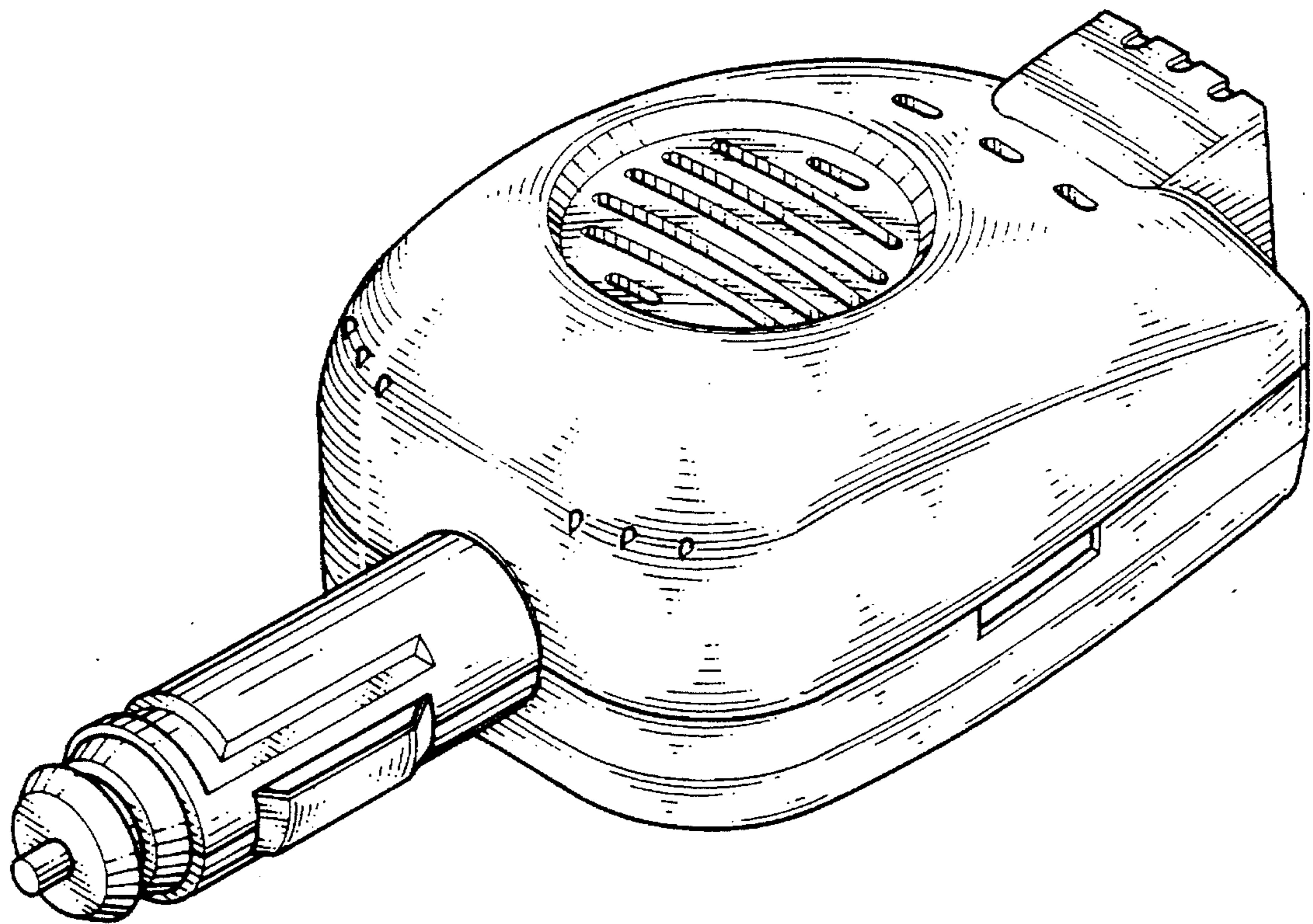


FIG. 1

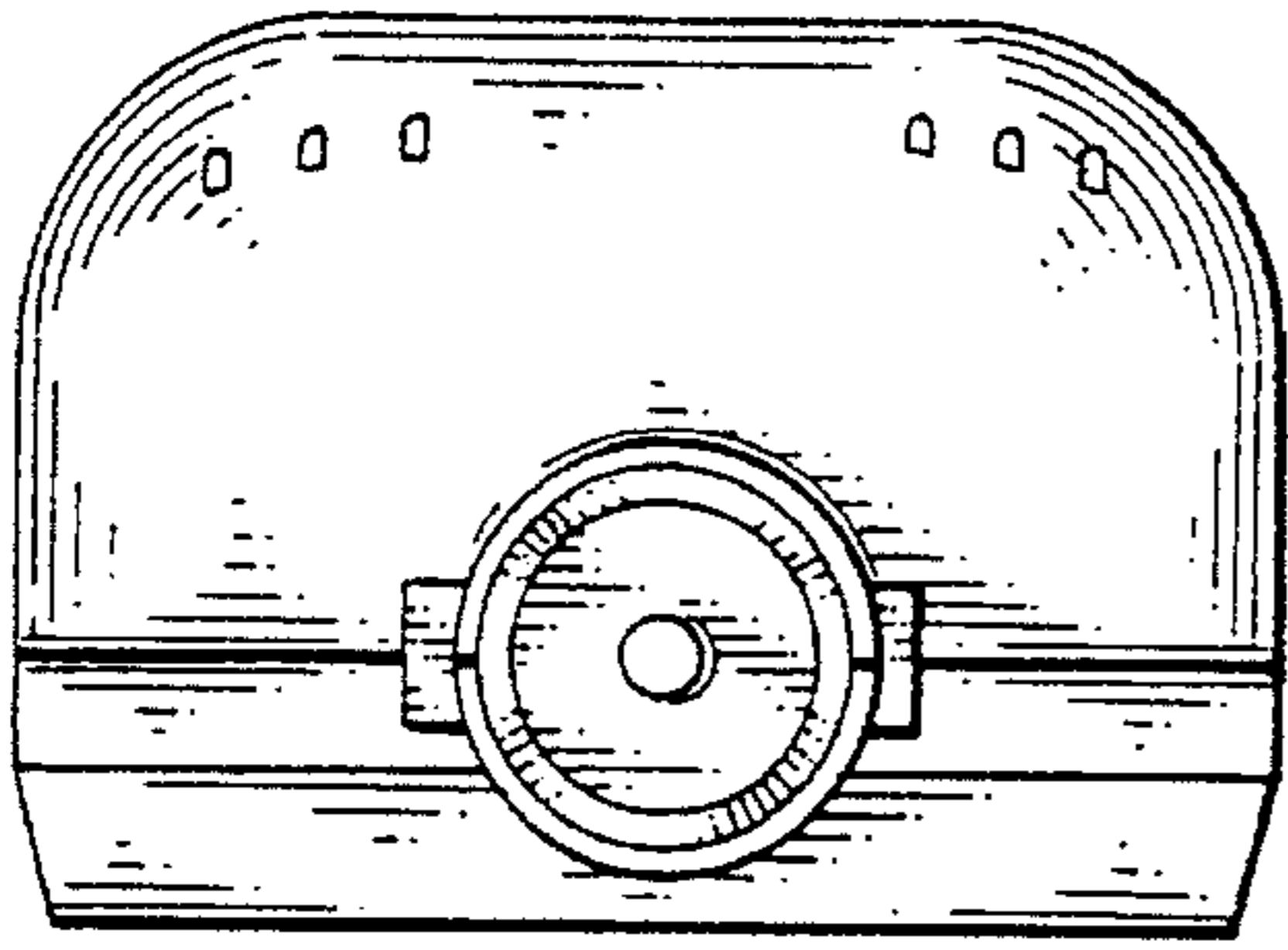


FIG. 2

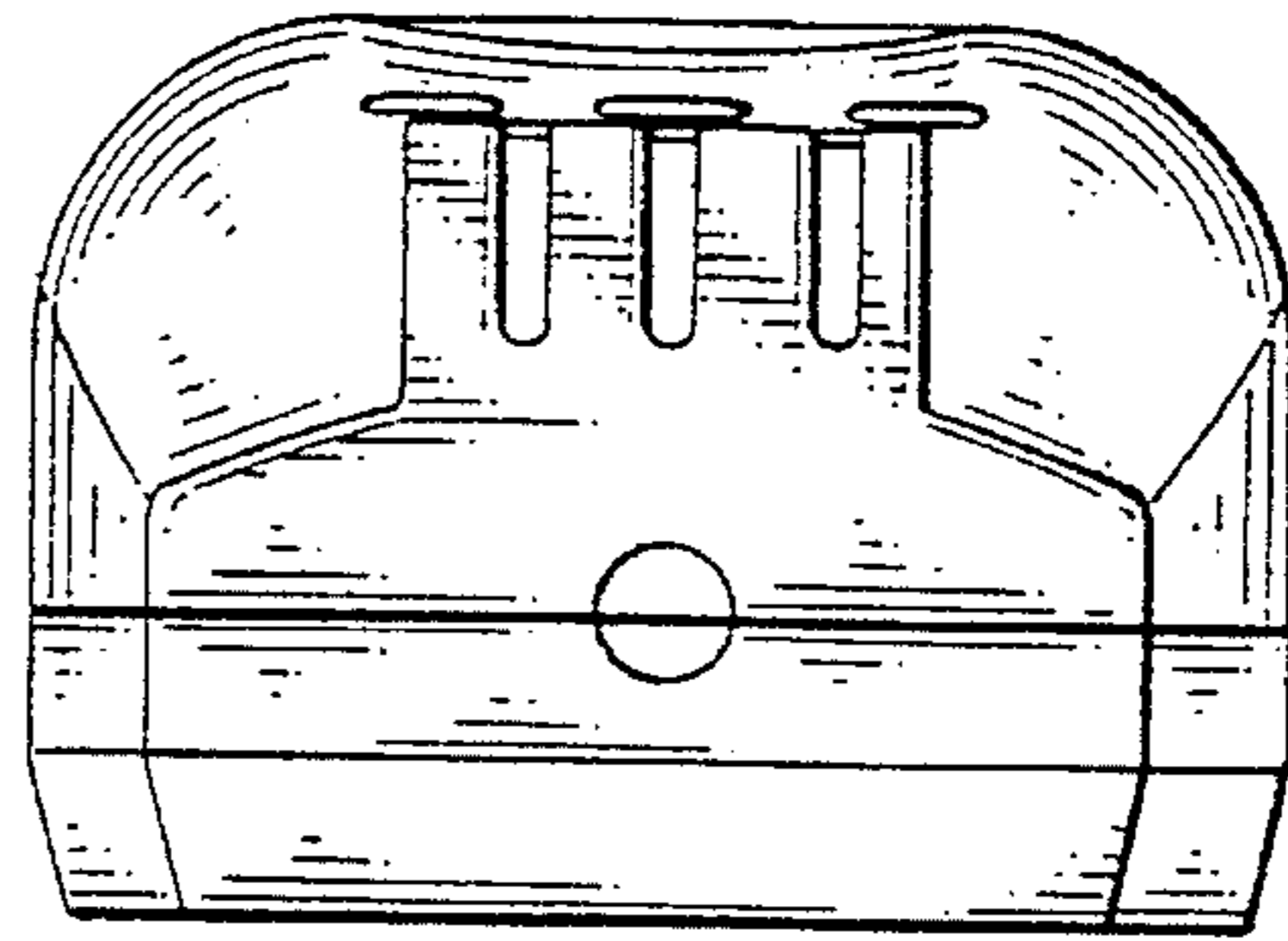


FIG. 3

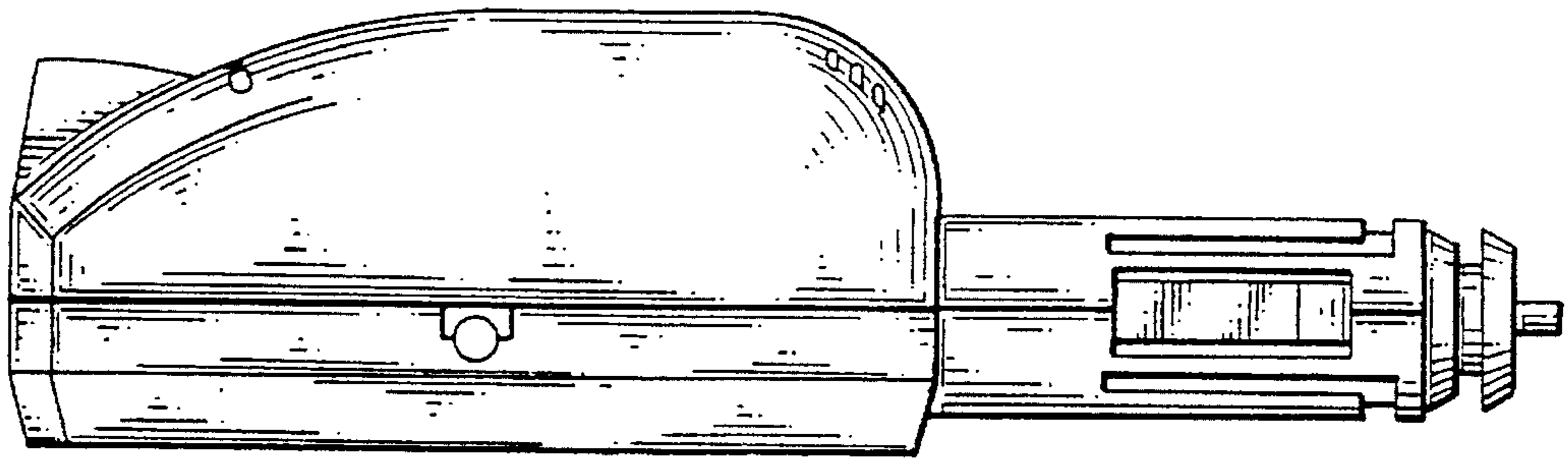


FIG. 4

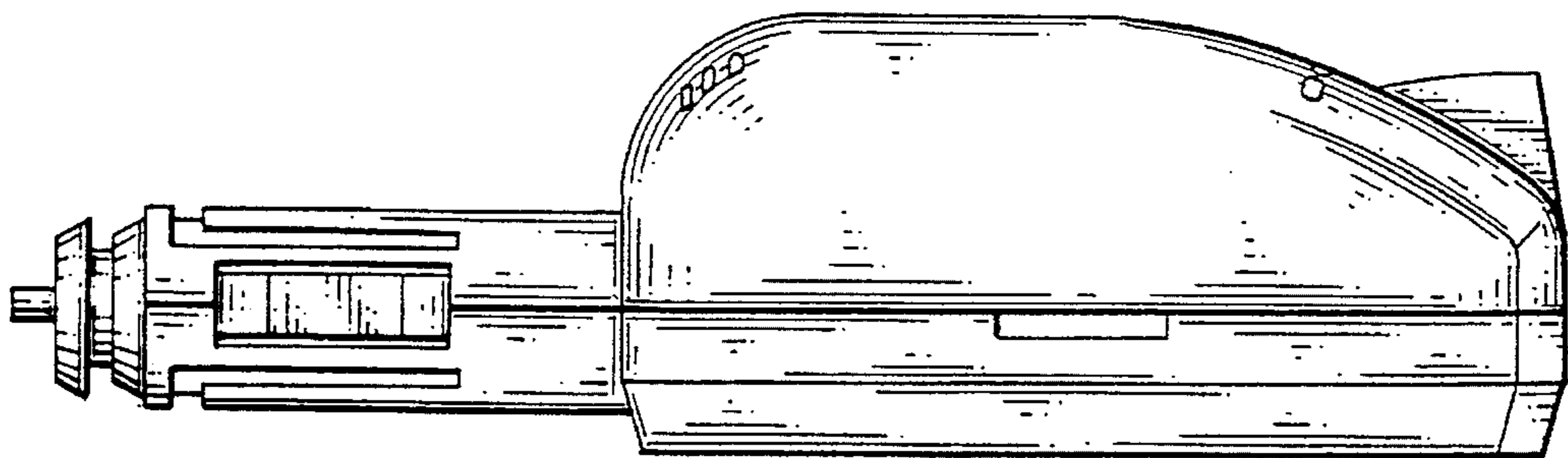


FIG. 5

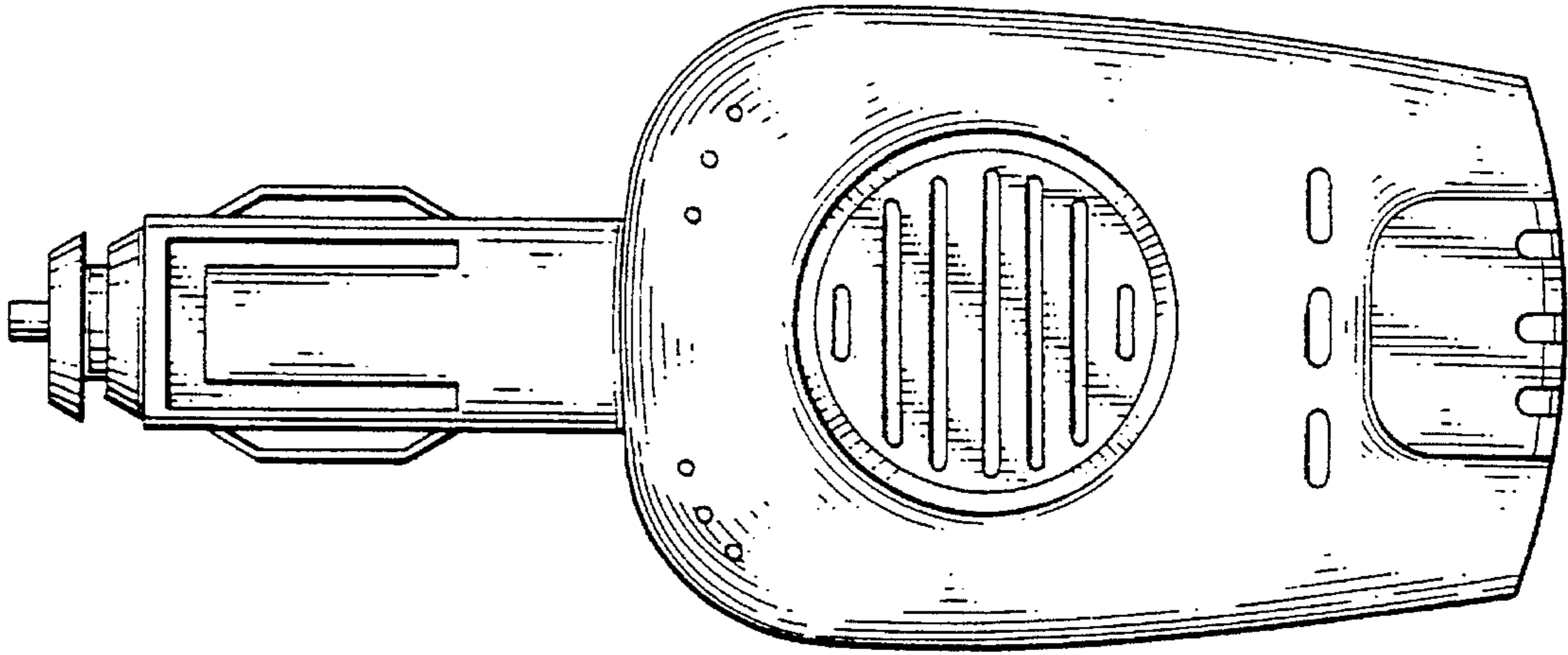


FIG. 6

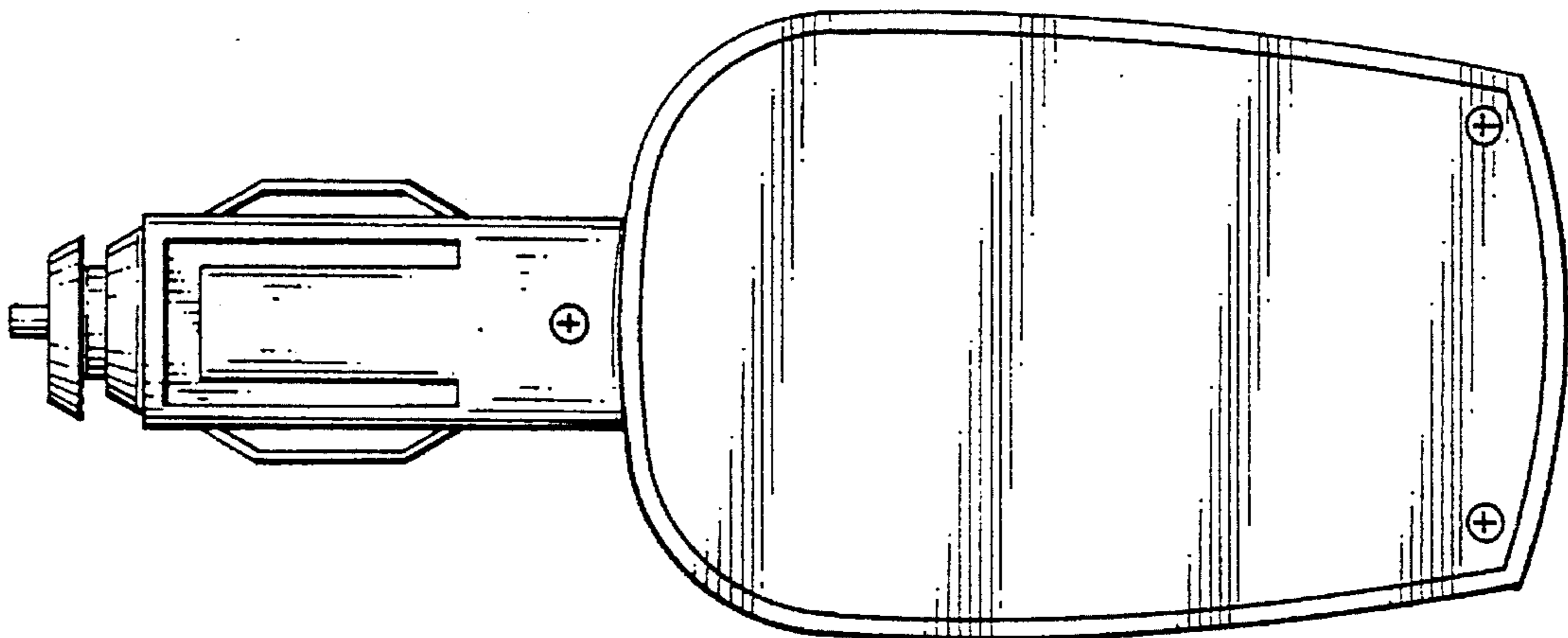


FIG. 7