



US00D369810S

United States Patent [19]

Porsche

[11] Patent Number: Des. 369,810

[45] Date of Patent: **May 14, 1996

[54] **RADIOTELEPHONE ANTENNA**

[76] Inventor: **Ferdinand A. Porsche**, Feuerbacherweg
48, D-7000 Stuttgart-Nord, Germany

[**] Term: **14 Years**

[21] Appl. No.: **8,838**

[22] Filed: **May 28, 1993**

[30] **Foreign Application Priority Data**

Nov. 30, 1992 [DE] Germany 2027483

[52] U.S. Cl. **D14/234**

[58] Field of Search D14/230-238,
D14/299; 343/702, 705, 708, 711, 713,
715, 900, 901, 903

[56] **References Cited**

U.S. PATENT DOCUMENTS

D. 270,054 8/1983 Spycher D14/234

D. 315,351 3/1991 Velazquez D14/234

D. 320,395 10/1991 Shimazaki D14/230 X

D. 320,396 10/1991 Shimazaki D14/230 X

Primary Examiner—Terry A. Wallace

Attorney, Agent, or Firm—Birch, Stewart, Kolasch & Birch

[57] **CLAIM**

The ornamental design for a radiotelephone antenna, as shown and described.

DESCRIPTION

FIG. 1 is a right side perspective view of a radiotelephone antenna showing my new design;

FIG. 2 is a left side perspective view thereof;

FIG. 3 is a right side perspective view thereof in an alternate position;

FIG. 4 is a bottom, front, right side perspective view thereof;

FIG. 5 is a fragmentary front perspective view thereof in an alternate position;

FIG. 6 is a right side perspective view of an alternate embodiment of FIG. 1;

FIG. 7 is a front perspective view of FIG. 6;

FIG. 8 is a right side perspective view of FIG. 6 in an alternate position;

FIG. 9 is a front perspective view of FIG. 6 in an alternate position;

FIG. 10 is a bottom, rear, left side perspective view of FIG. 6; and,

FIG. 11 is a rear perspective view of the embodiment of FIG. 1.

1 Claim, 9 Drawing Sheets

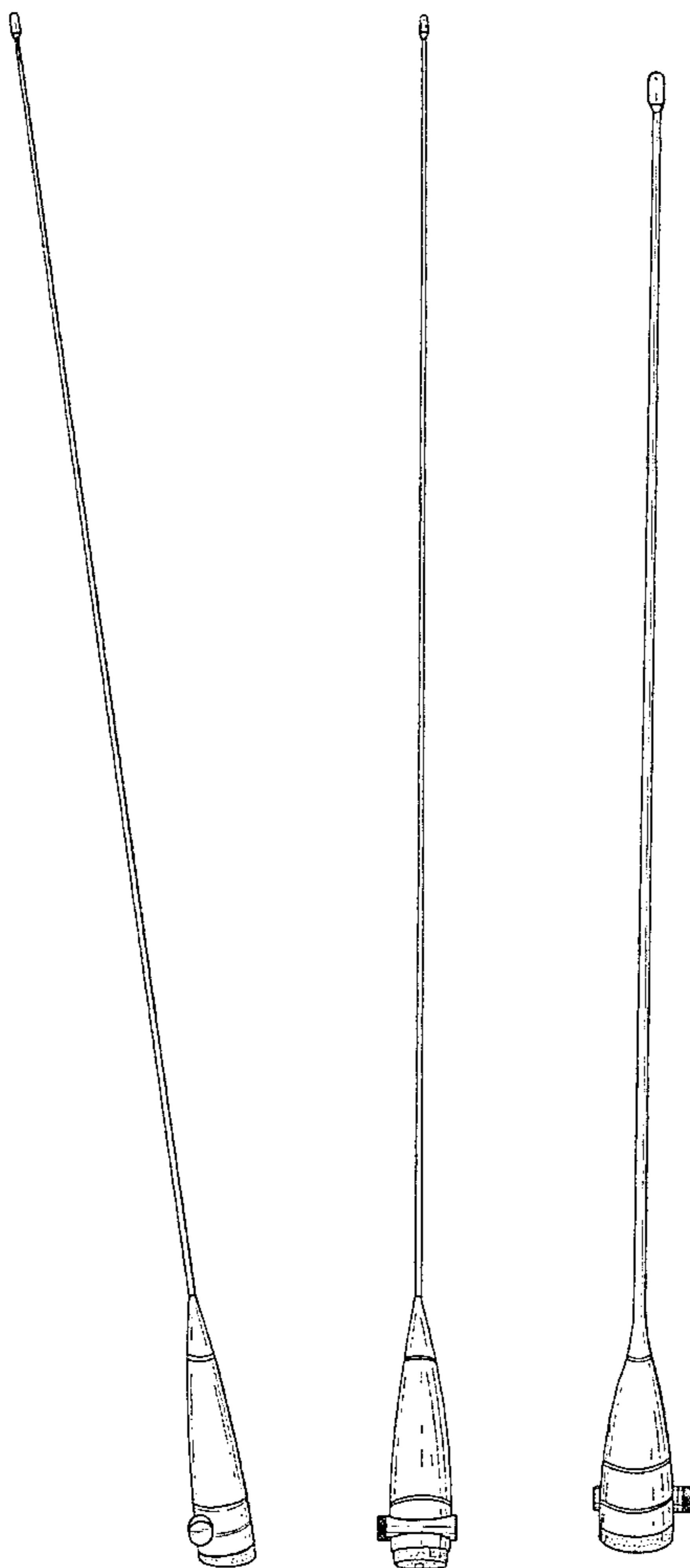
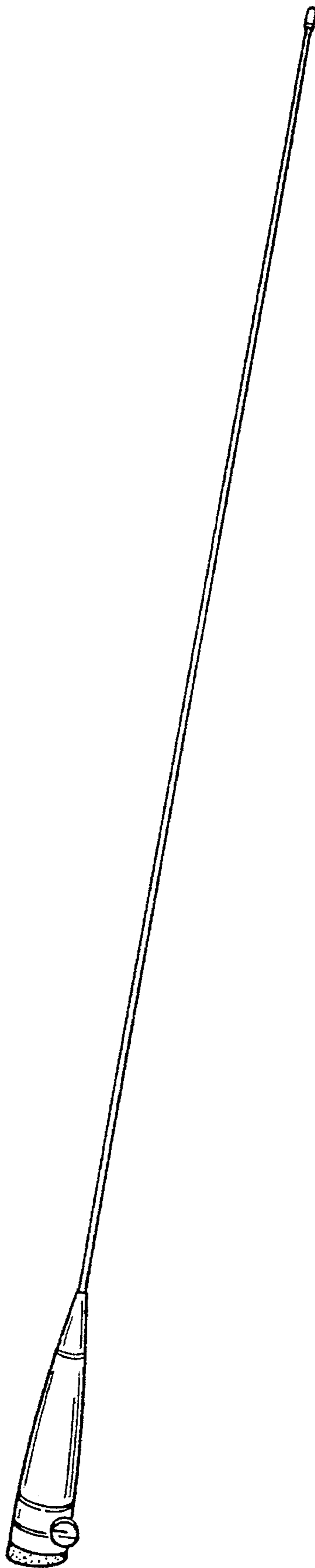
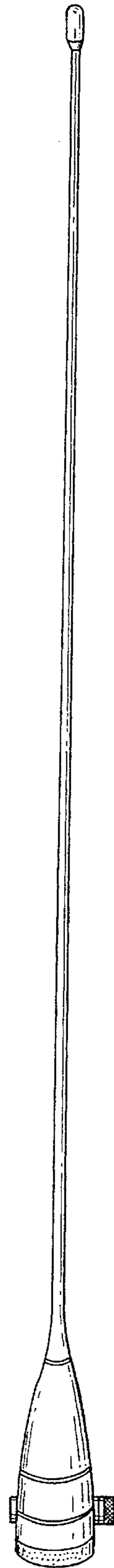
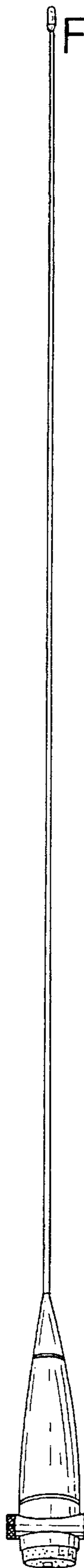
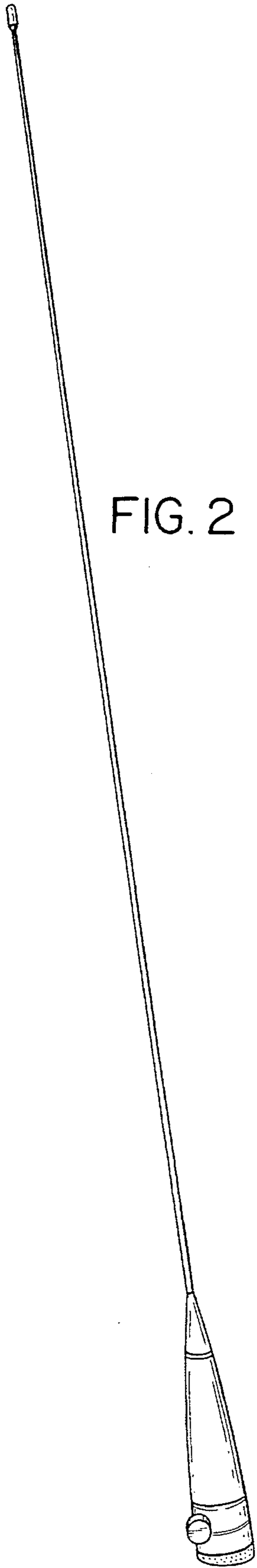


FIG. 1





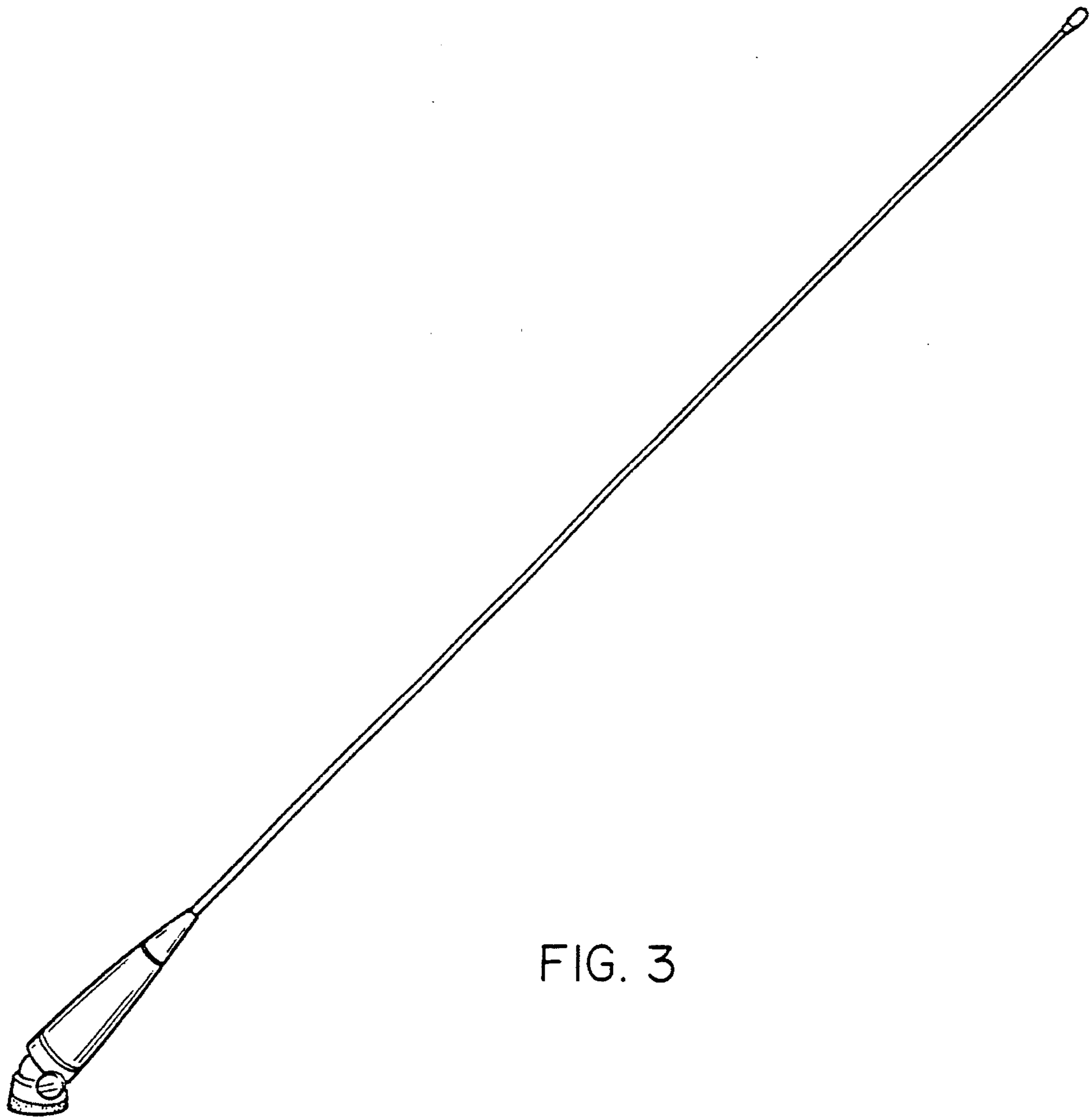


FIG. 3

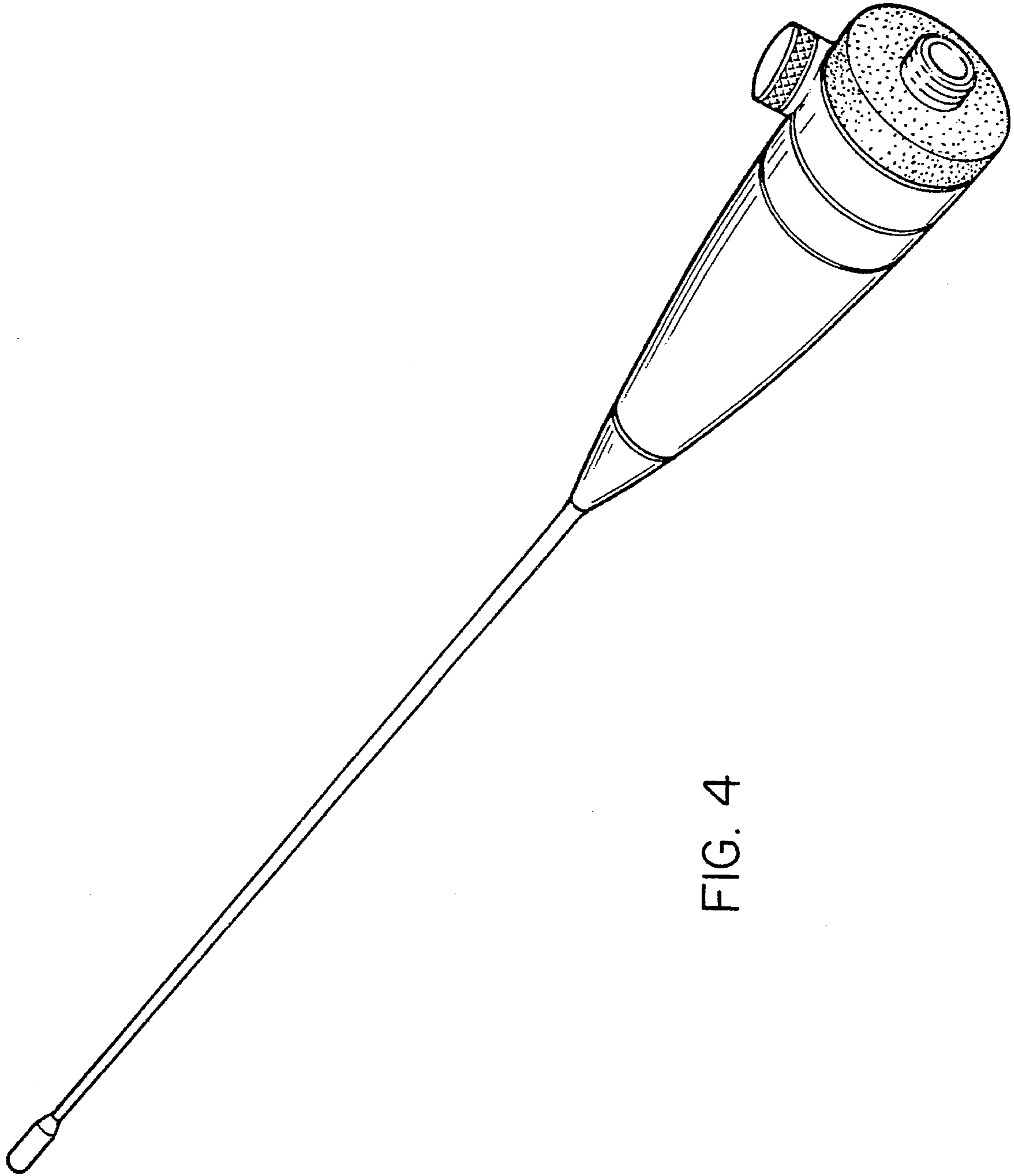


FIG. 4

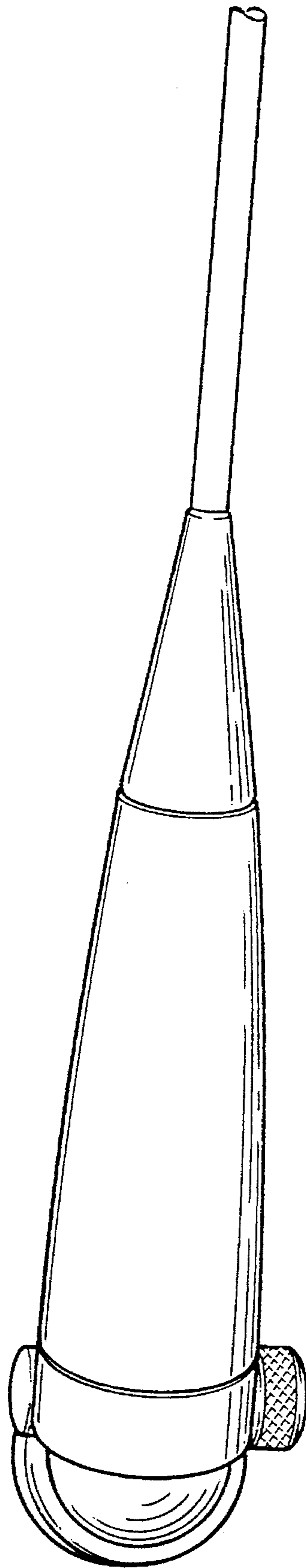


FIG. 5

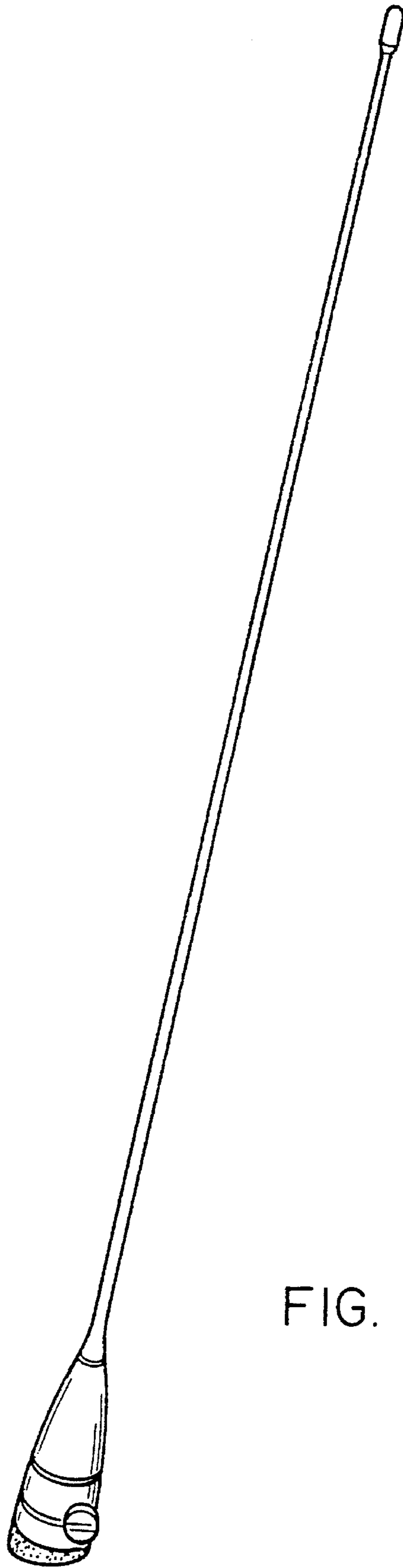


FIG. 6

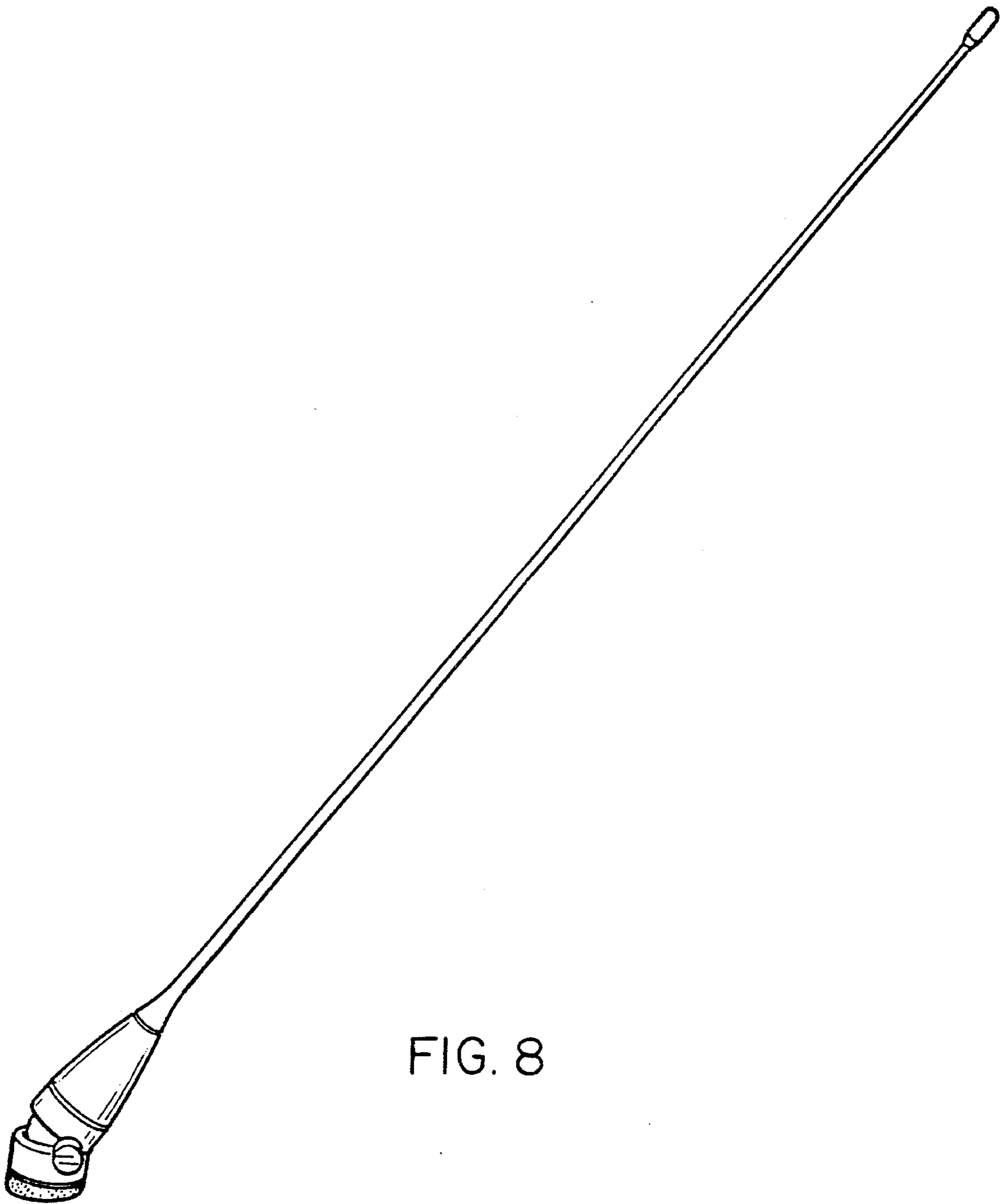


FIG. 8

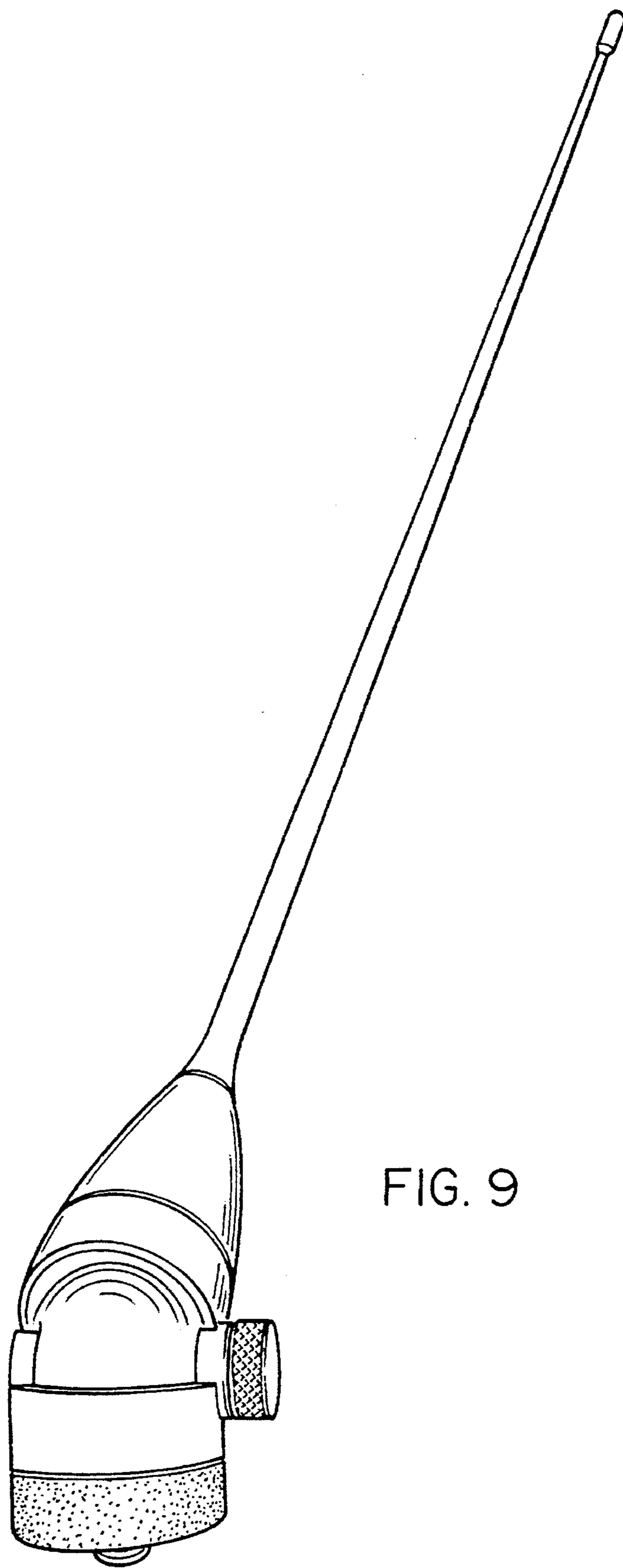


FIG. 9

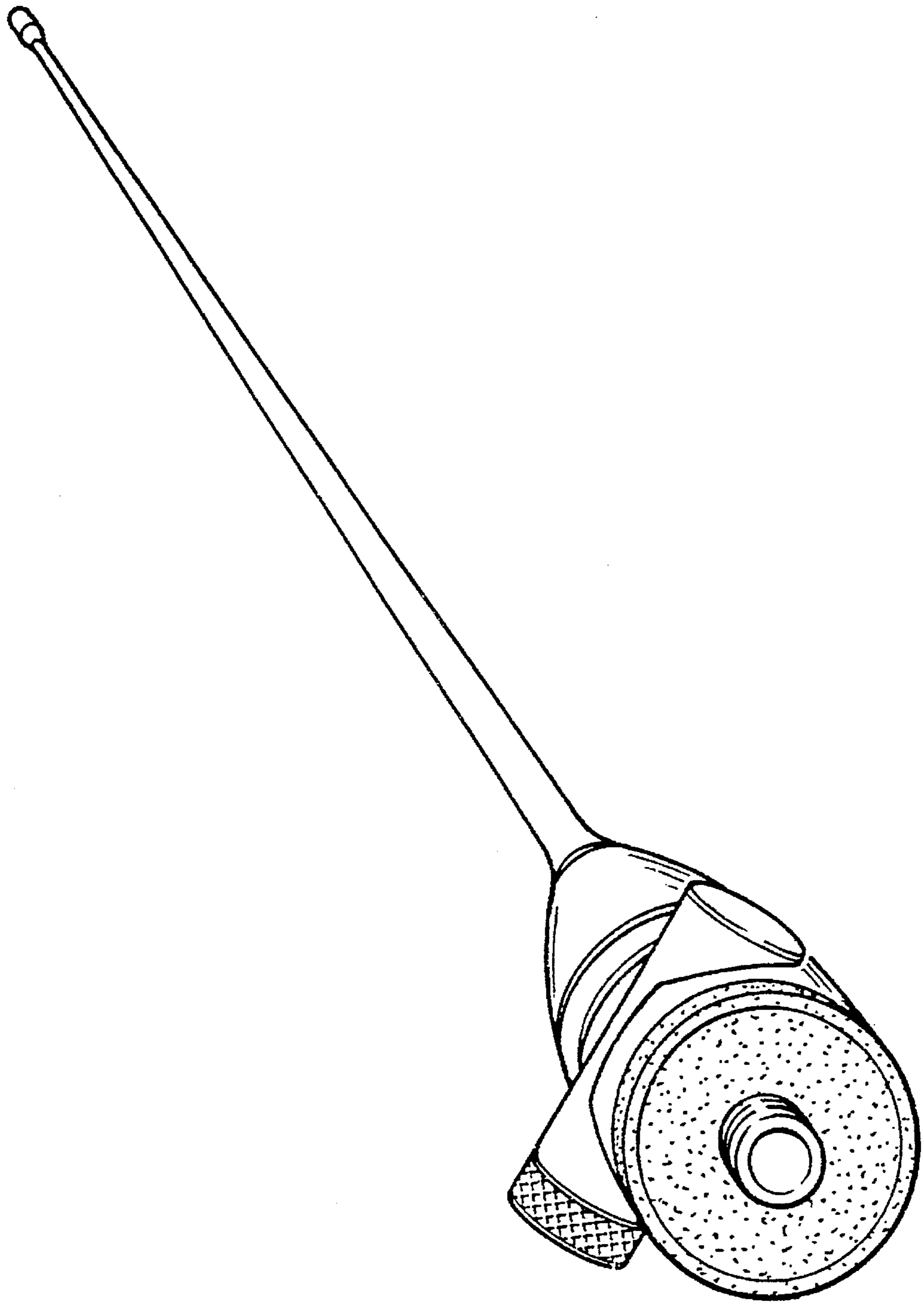


FIG. 10