



US00D369809S

United States Patent [19]

Pines et al.

[11] Patent Number: **Des. 369,809**

[45] Date of Patent: ****May 14, 1996**

[54] OPTICAL DISC TRANSFER ARM

[75] Inventors: **Andrew J. Pines**, Highland Park;
Edward E. Pellegrini, Palatine, both of Ill.

[73] Assignee: **P & P Marketing, Inc.**, Chicago, Ill.

[**] Term: **14 Years**

[21] Appl. No.: **26,480**

[22] Filed: **Jul. 29, 1994**

[52] U.S. Cl. **D14/217; D14/121**

[58] Field of Search **D14/156, 121,
D14/217, 260, 299; 369/30, 36, 37, 39,
75.2**

[56] References Cited

U.S. PATENT DOCUMENTS

D. 245,020	7/1977	Crayton et al.	D14/121
D. 245,021	7/1977	Crayton et al.	D14/121
4,996,680	2/1991	Staar	369/36
5,038,331	8/1991	Ogawa	369/39
5,117,409	5/1992	Shimizu et al.	369/36
5,400,310	3/1995	Morikawa et al.	369/75.2

OTHER PUBLICATIONS

NSM of Bingen am Rhein, Germany, NSM Service Manual, pp. 809 and 810, undated.

Rowe International, Inc. of Whippany, N.J., Rowe R-85 Service Manual, Mechanism Assembly Sheets 1 & 3, Figures 12, undated.

Rowe International, Inc. of Whippany, N.J., Rowe CD-100 Service Manual, Mechanism Assembly Sheets 1 & 2, Figures 8-19, undated.

Primary Examiner—Sandra L. Morris

Attorney, Agent, or Firm—Gerstman, Ellis & McMillin, Ltd.

[57] CLAIM

The ornamental design for an optical disc transfer arm, as shown and described.

DESCRIPTION

FIG. 1 is a perspective view of the optical disc transfer arm; FIG. 2 is a front elevational view thereof; FIG. 3 is a rear elevational view thereof; FIG. 4 is a top plan view thereof; FIG. 5 is a right side elevational view thereof; FIG. 6 is a left side elevational view thereof; and, FIG. 7 is a bottom plan view thereof.

1 Claim, 3 Drawing Sheets

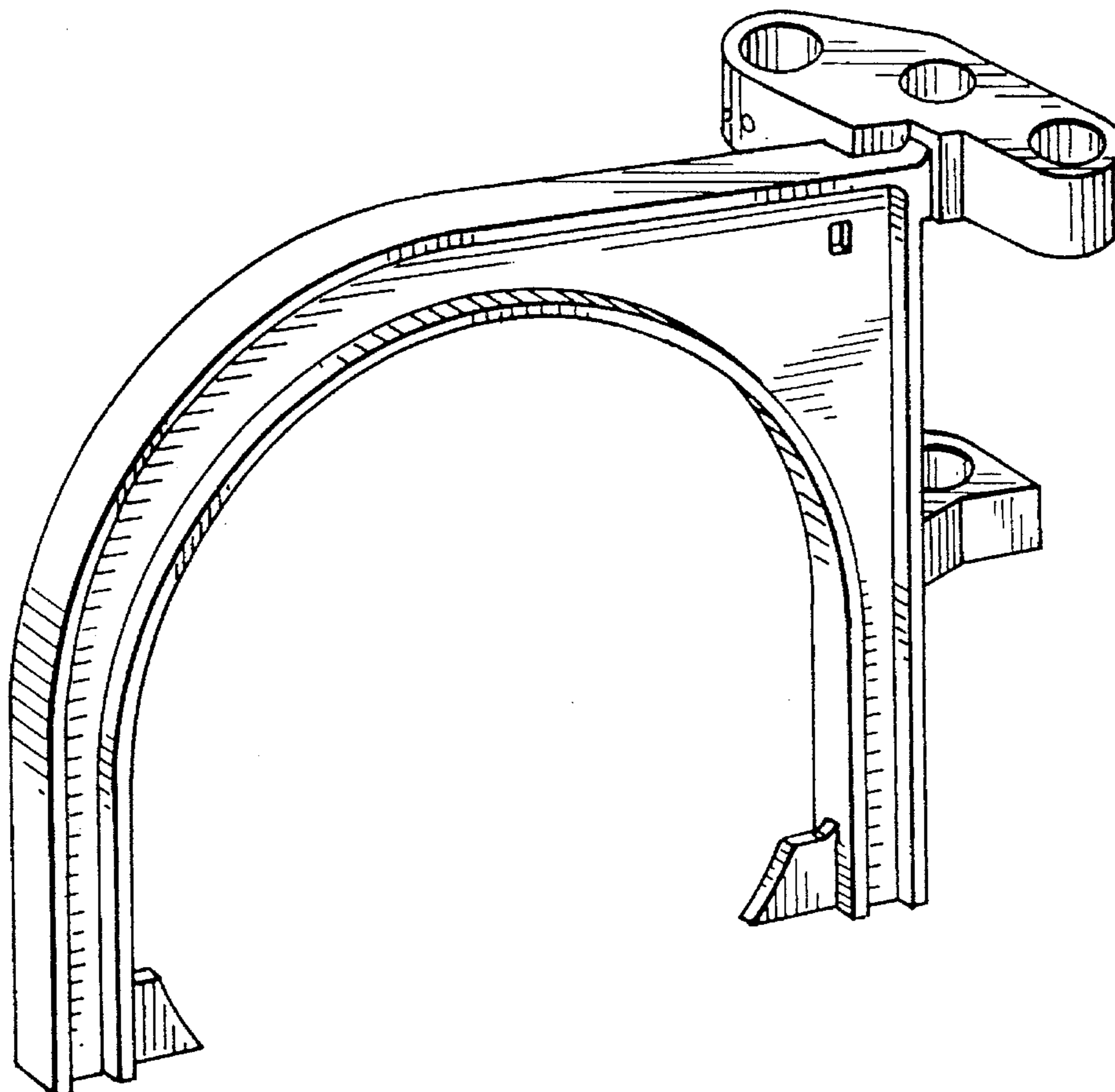


Fig. 1

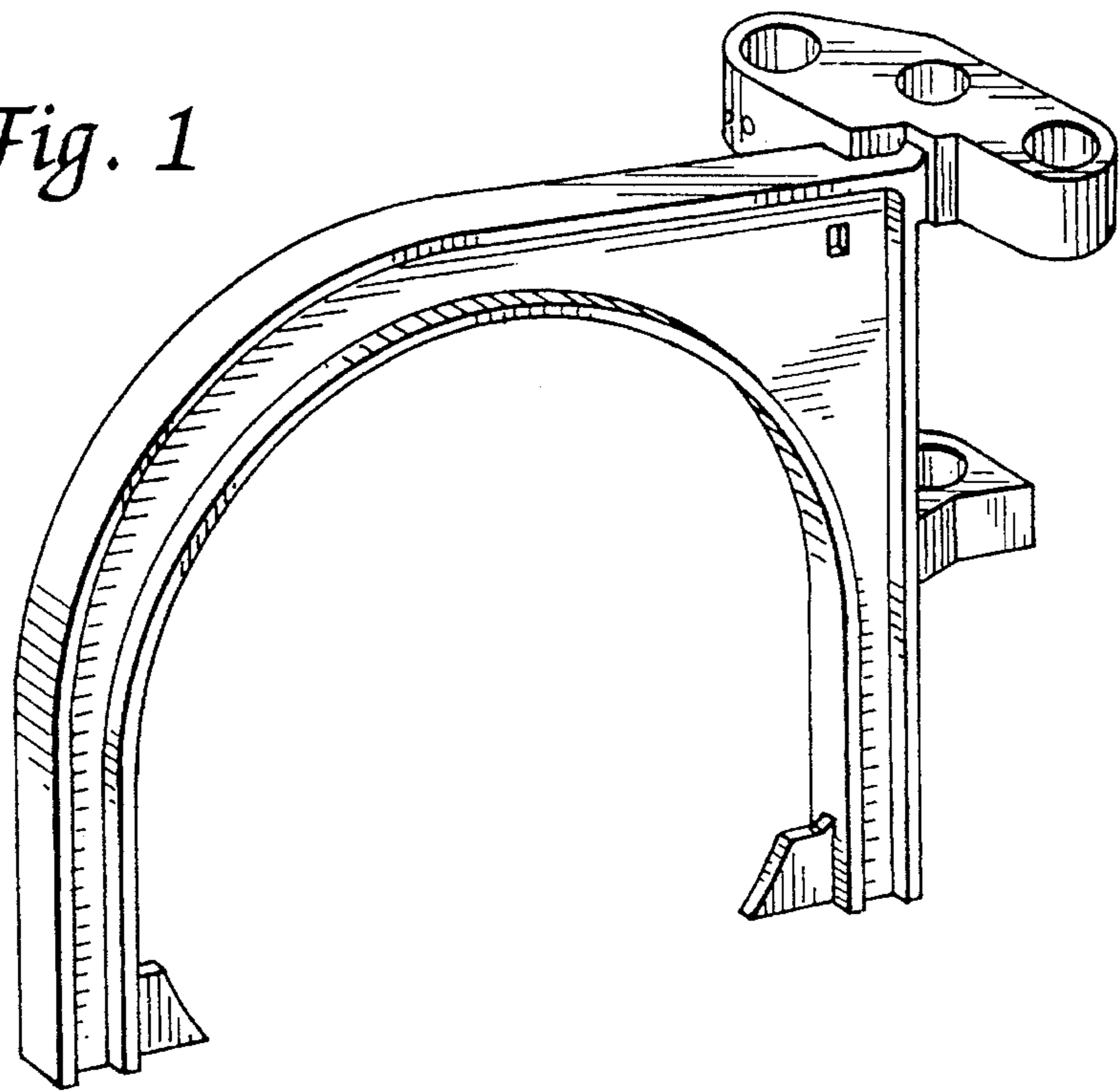


Fig. 2

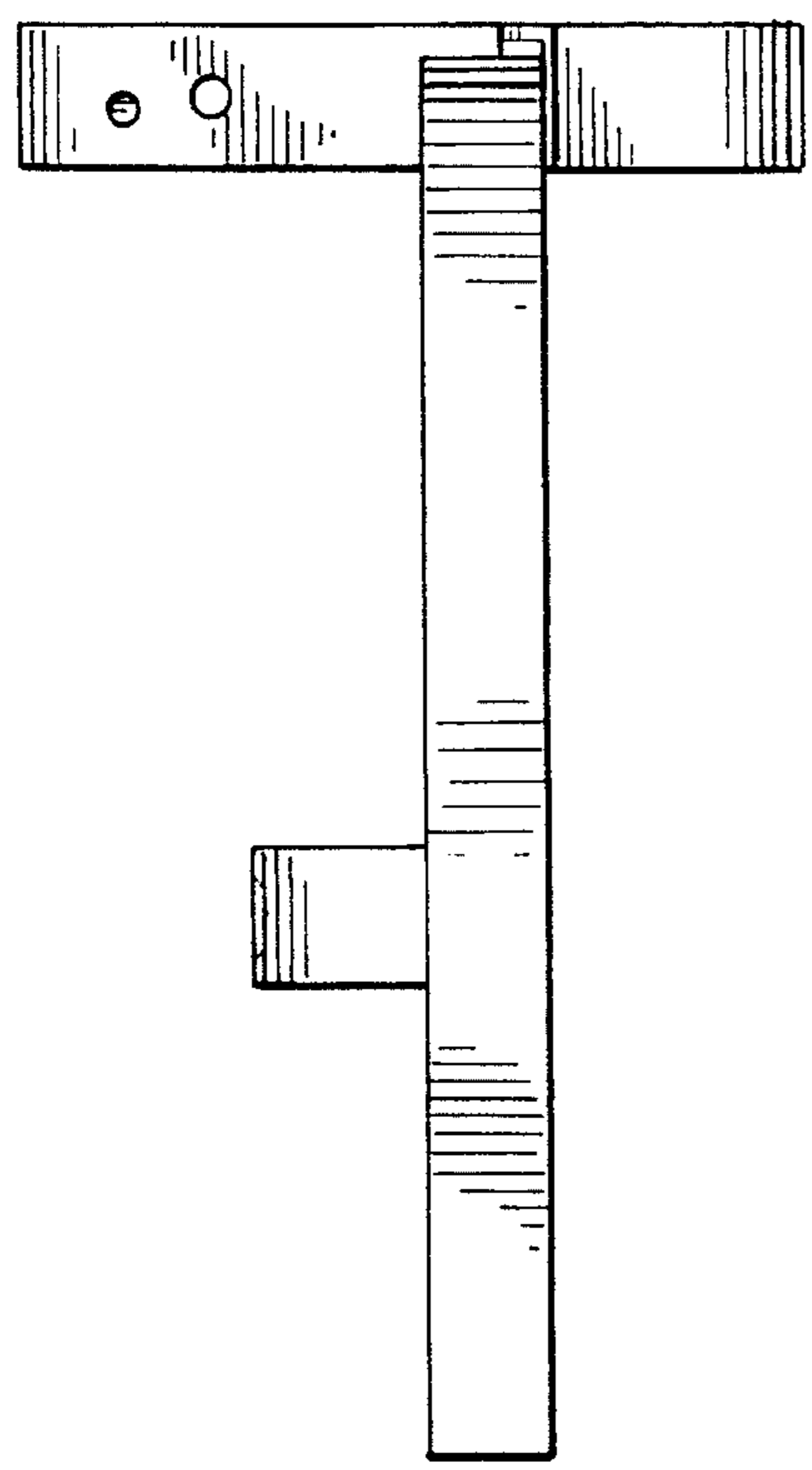


Fig. 3

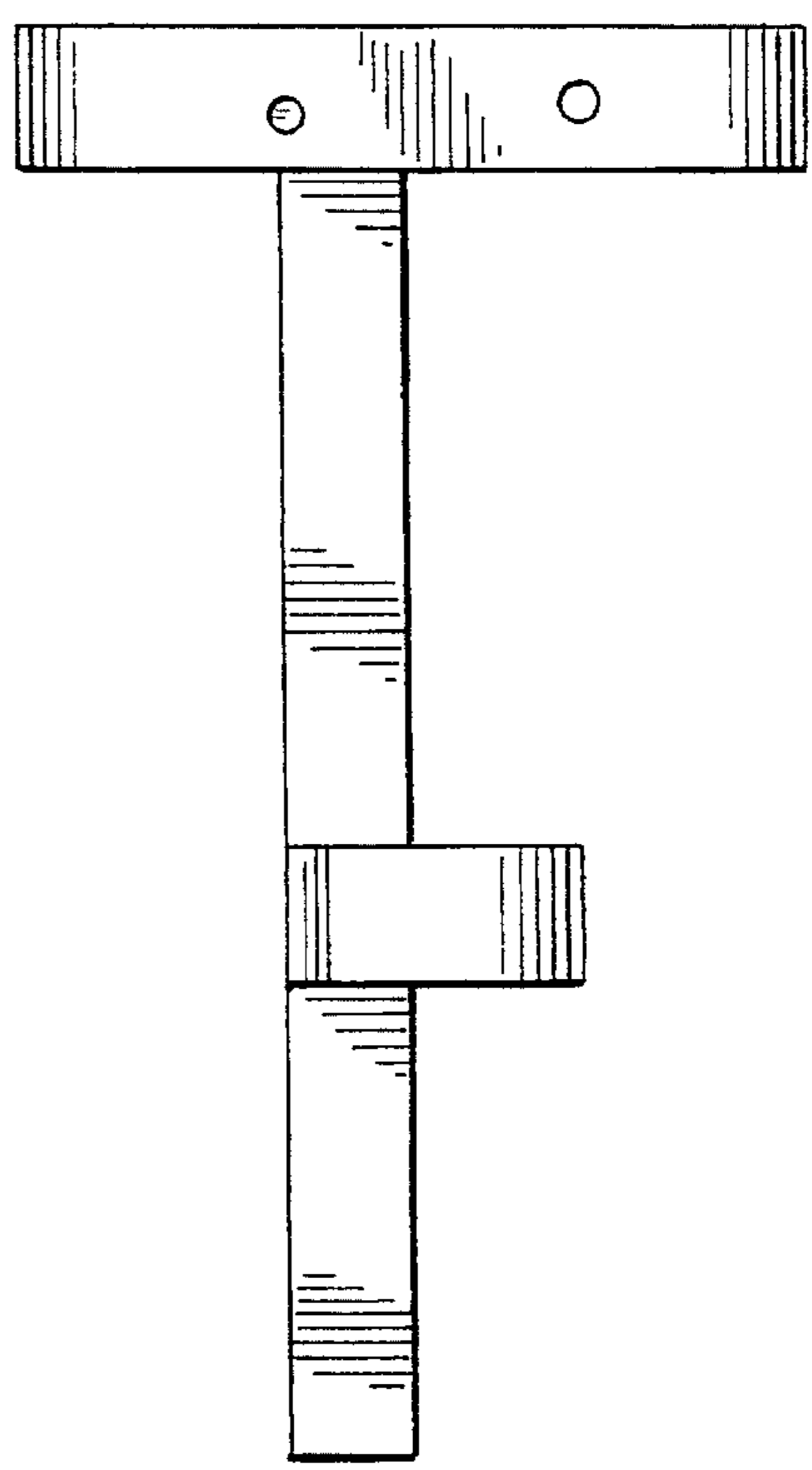


Fig. 4

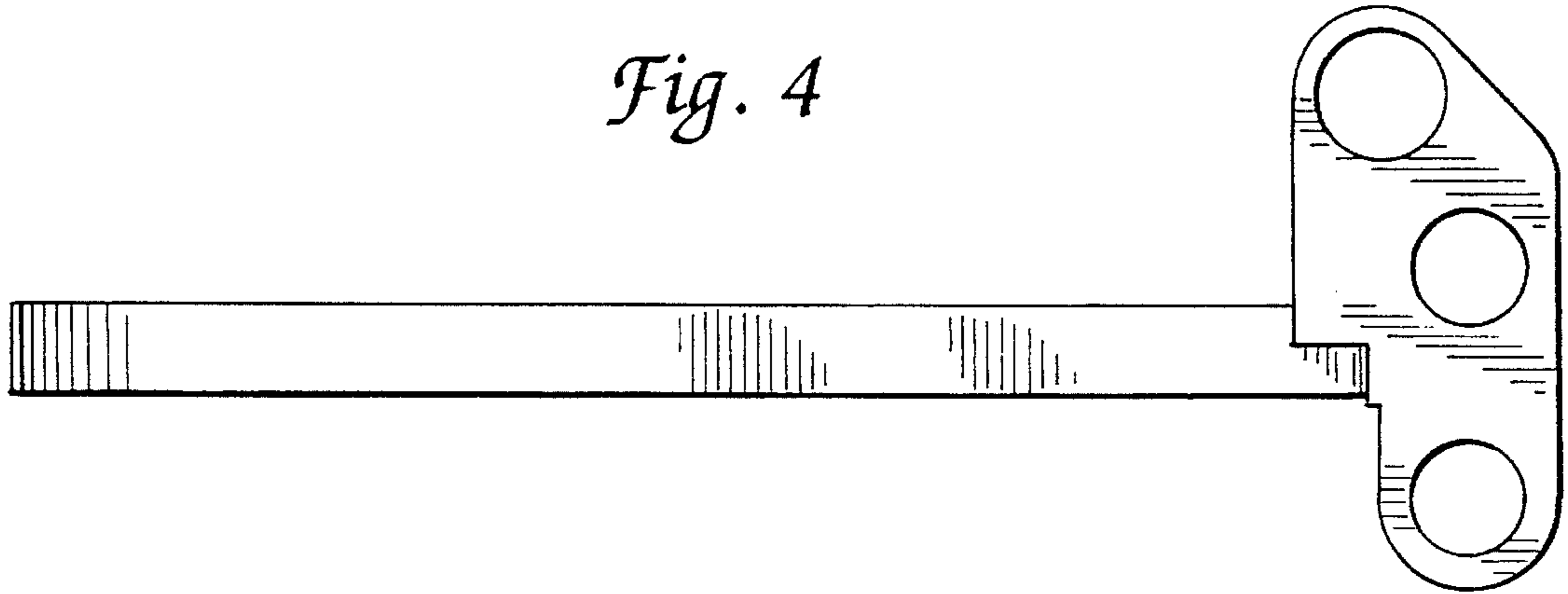


Fig. 5

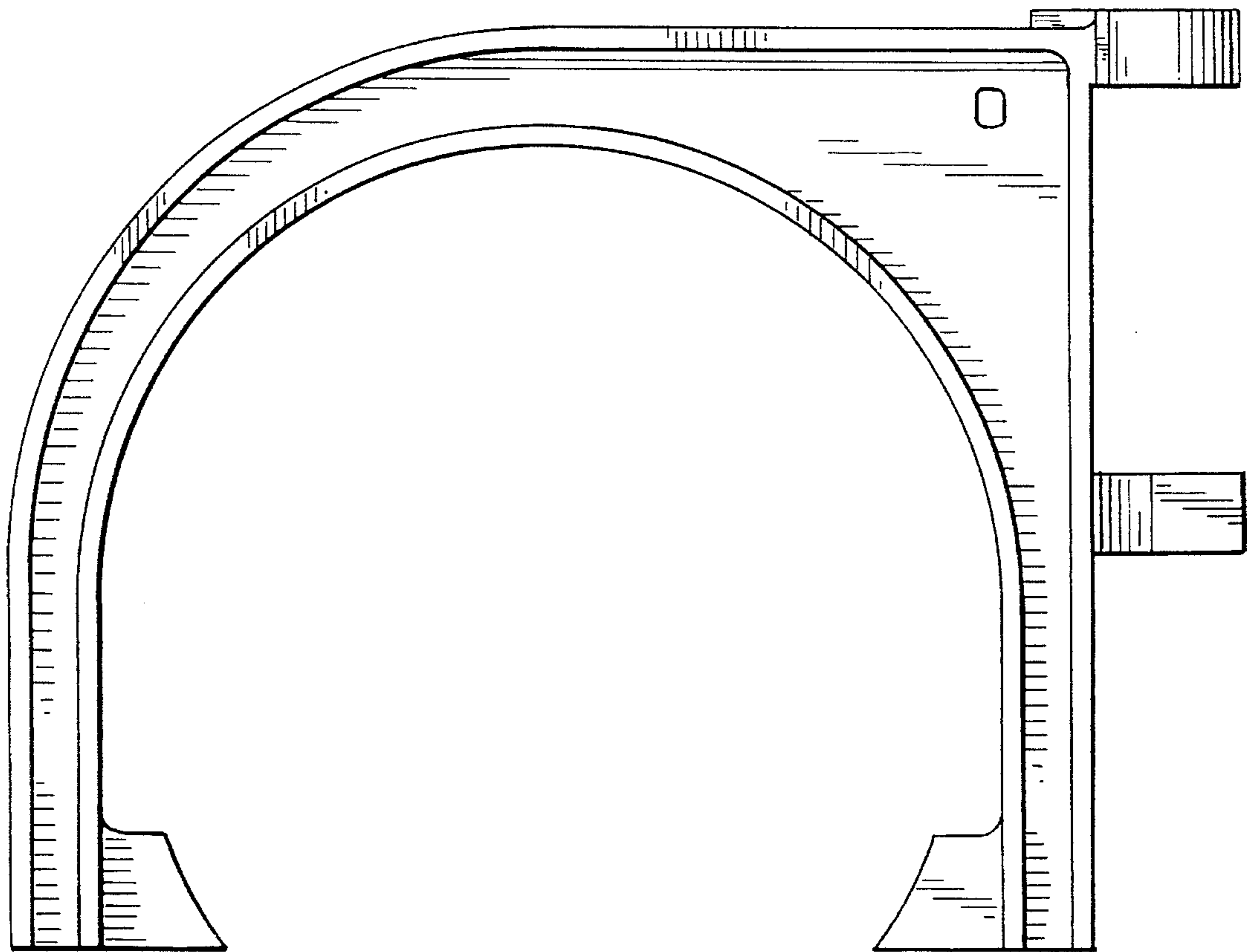


Fig. 6

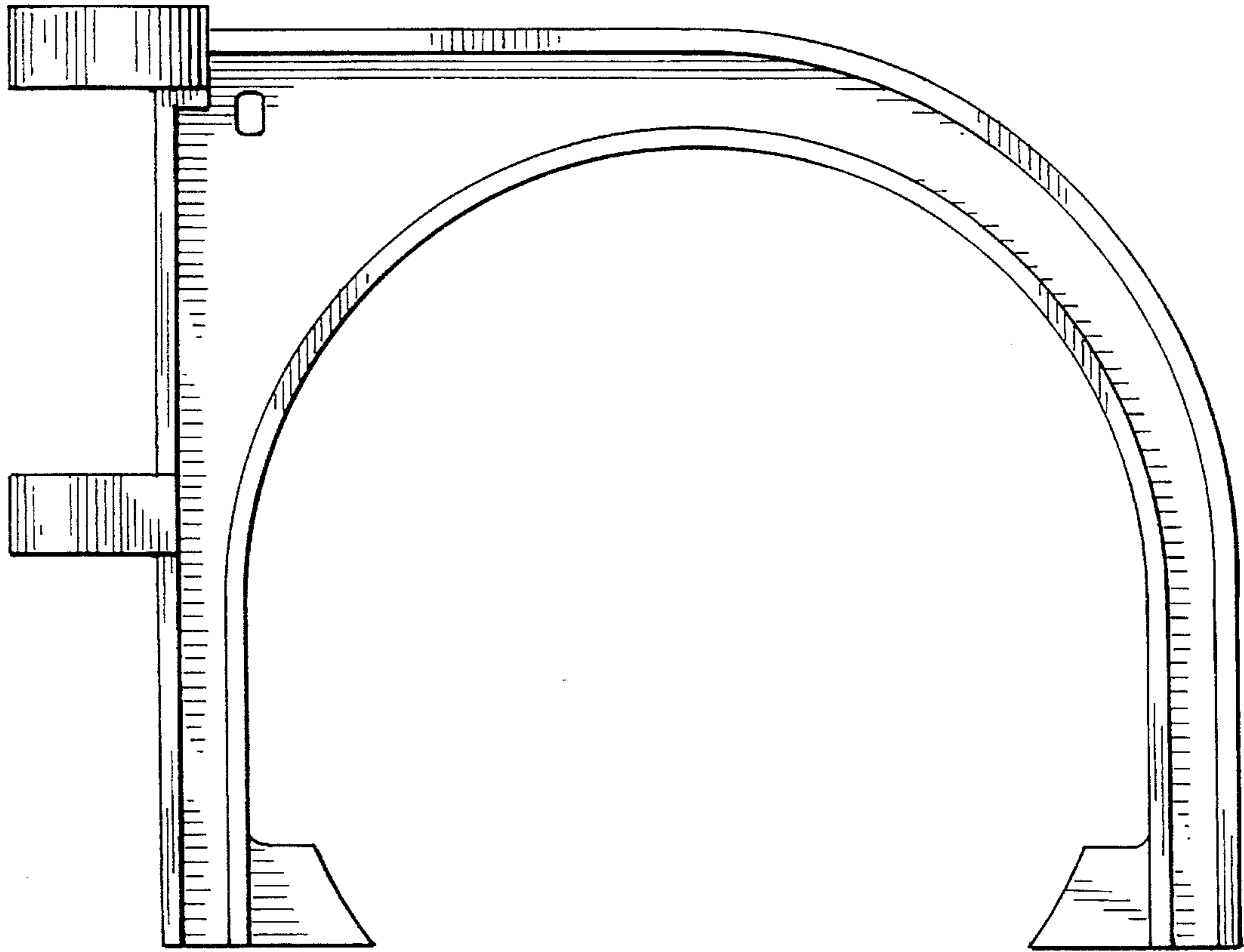


Fig. 7

