



US00D369807S

United States Patent [19]

Lloyd et al.

[11] Patent Number: **Des. 369,807**

[45] Date of Patent: ****May 14, 1996**

[54] **SELECTIVE CALL RECEIVER**

D. 346,167 4/1994 Hyvonen .
4,491,970 1/1985 LaWhite et al. 455/100

[75] Inventors: **Robert D. Lloyd**, Boca Raton; **Michael R. Marrs**, Parkland, both of Fla.

Primary Examiner—Ted Shooman
Assistant Examiner—Nanda Bondade
Attorney, Agent, or Firm—D. Andrew Floam

[73] Assignee: **Motorola, Inc.**, Schaumburg, Ill.

[**] Term: **14 Years**

[57] **CLAIM**

[21] Appl. No.: **26,210**

The ornamental design for a selective call receiver, as shown and described.

[22] Filed: **Jul. 21, 1994**

DESCRIPTION

[52] U.S. Cl. **D14/191**

[58] **Field of Search** D14/124, 188,
D14/191, 192, 299; 340/311.1; 455/92,
100, 128, 344

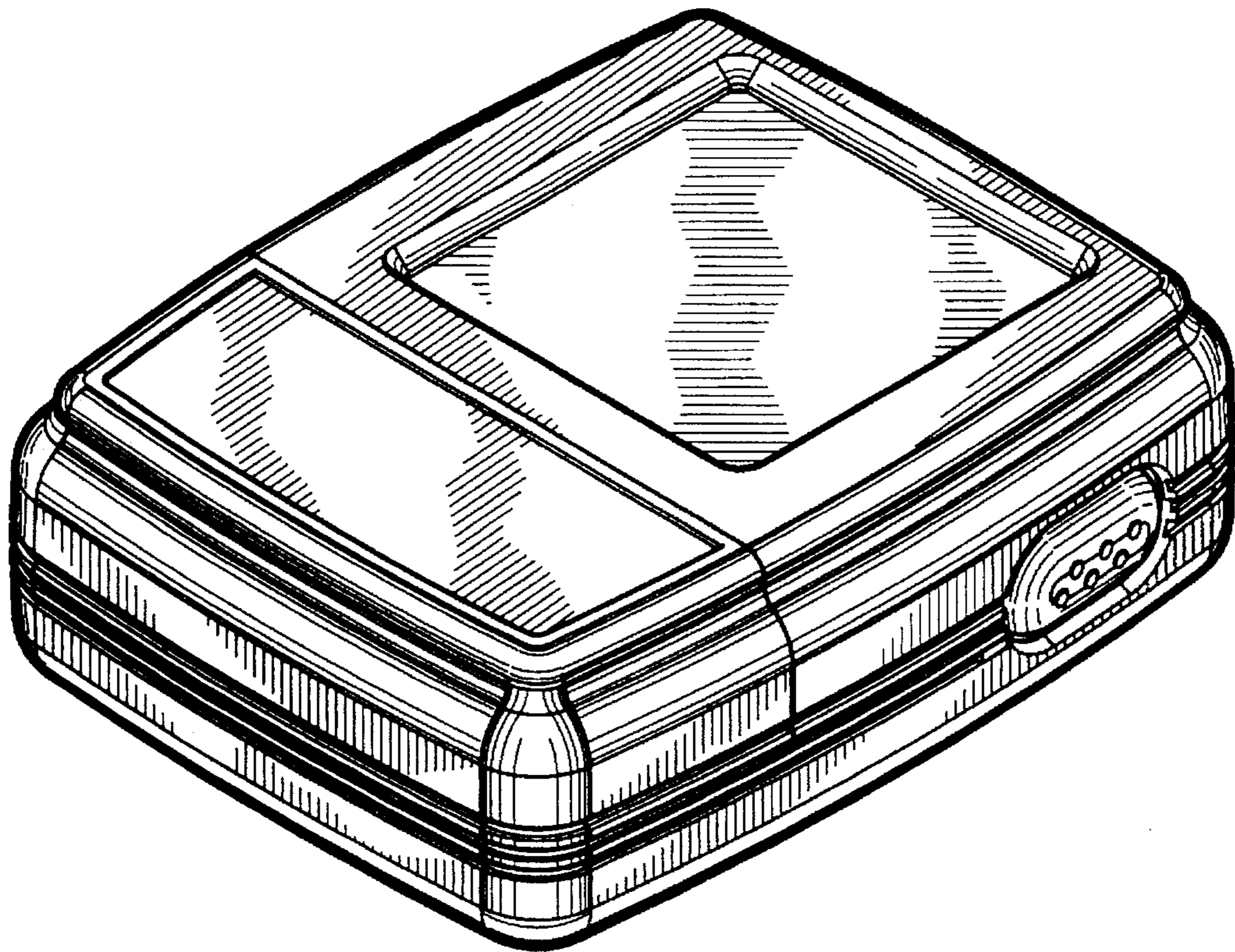
FIG. 1 is a front elevational view of a selective call receiver showign our new design;
FIG. 2 is a right side elevational view thereof;
FIG. 3 is a left side elevational view thereof;
FIG. 4 is a rear elevational view thereof;
FIG. 5 is a top plan view thereof;
FIG. 6 is a bottom plan view thereof; and,
FIG. 7 is a bottom, front, and right side perspective view thereof.

[56] **References Cited**

U.S. PATENT DOCUMENTS

D. 291,310 8/1987 Ogura D14/191
D. 304,192 10/1989 Hayasaka et al. D14/191
D. 325,913 5/1992 Takahashi et al. D14/191
D. 327,267 6/1992 Scheid et al. .

1 Claim, 3 Drawing Sheets



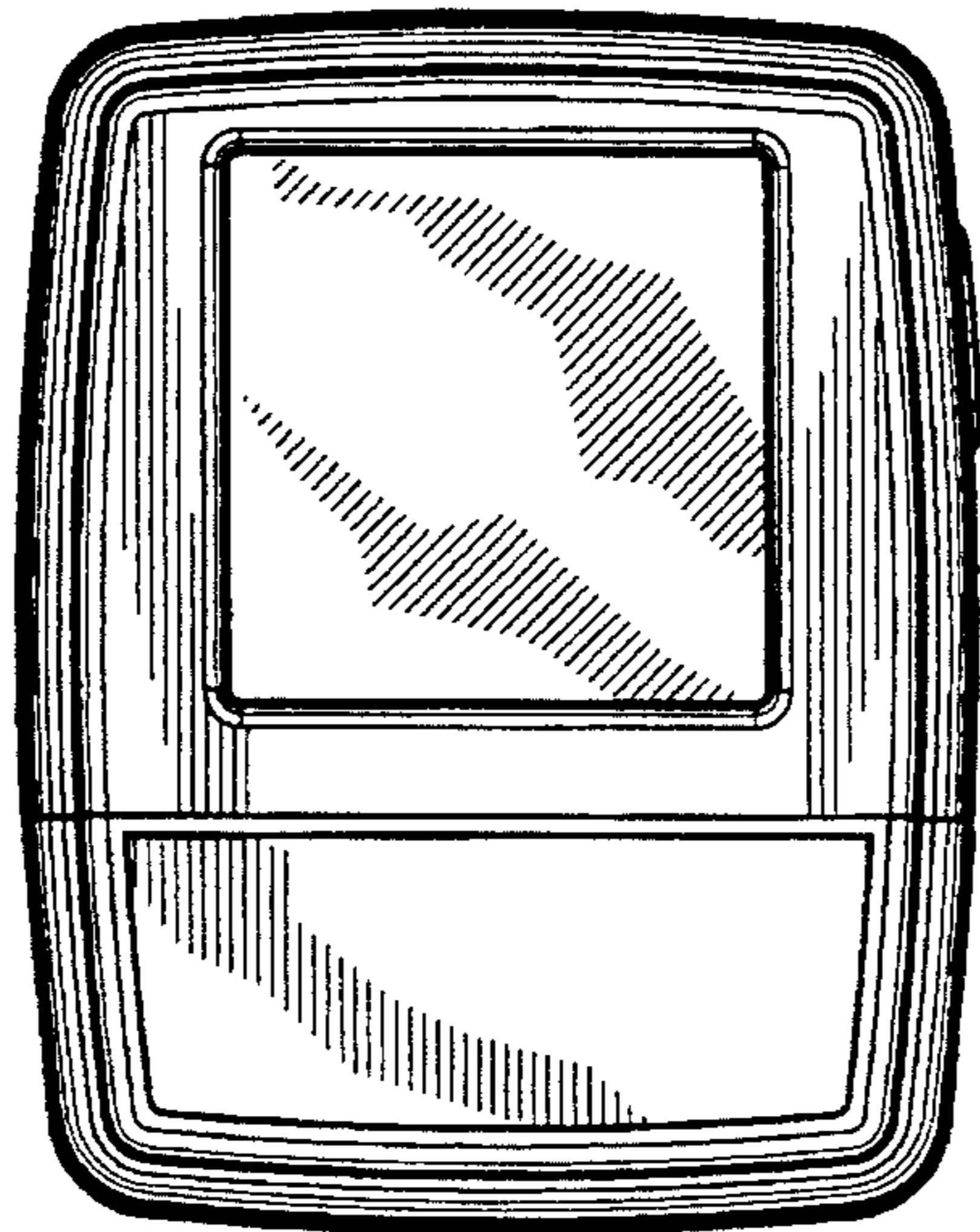


FIG. 1

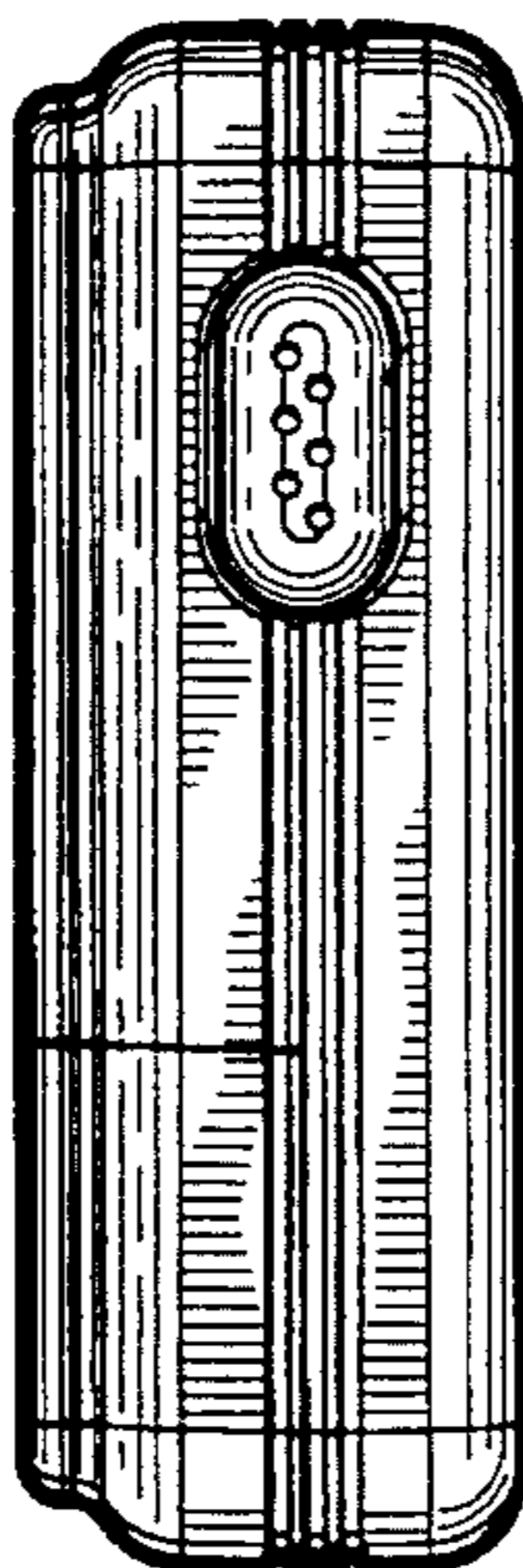


FIG. 2

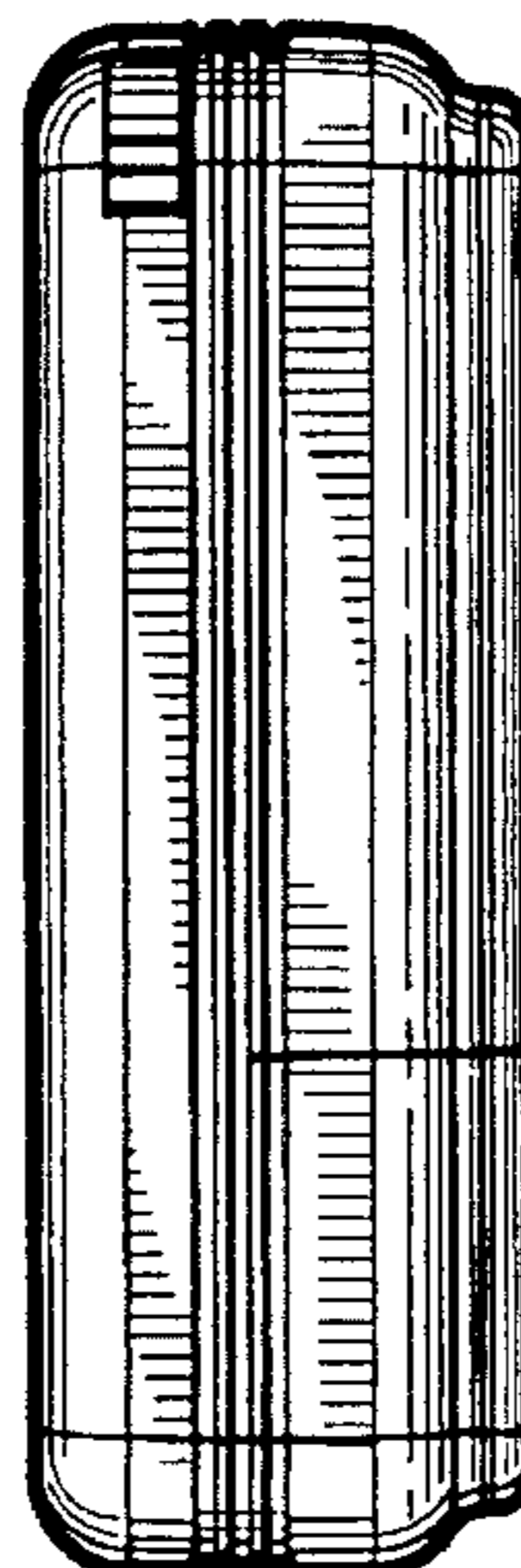


FIG. 3

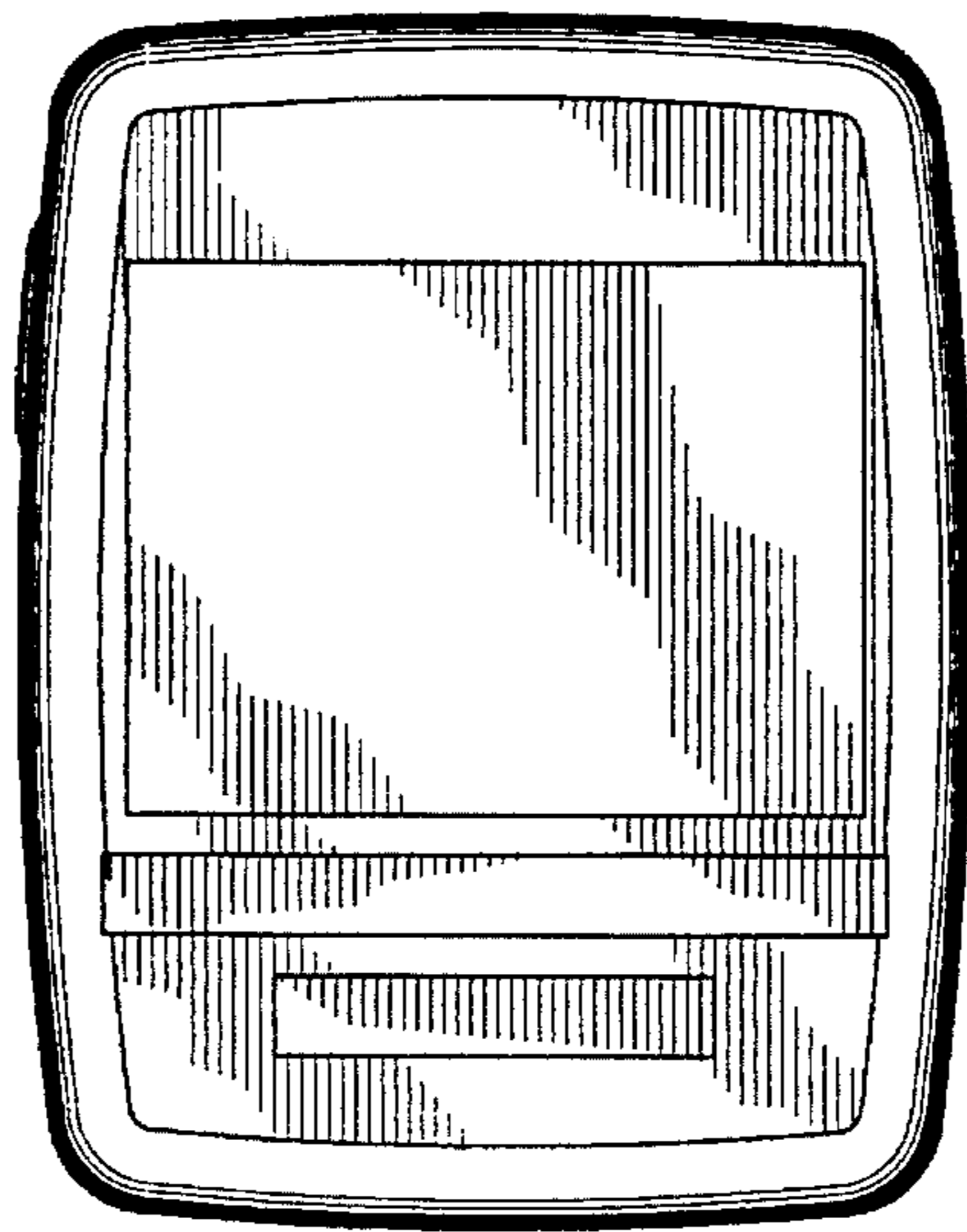


FIG. 4

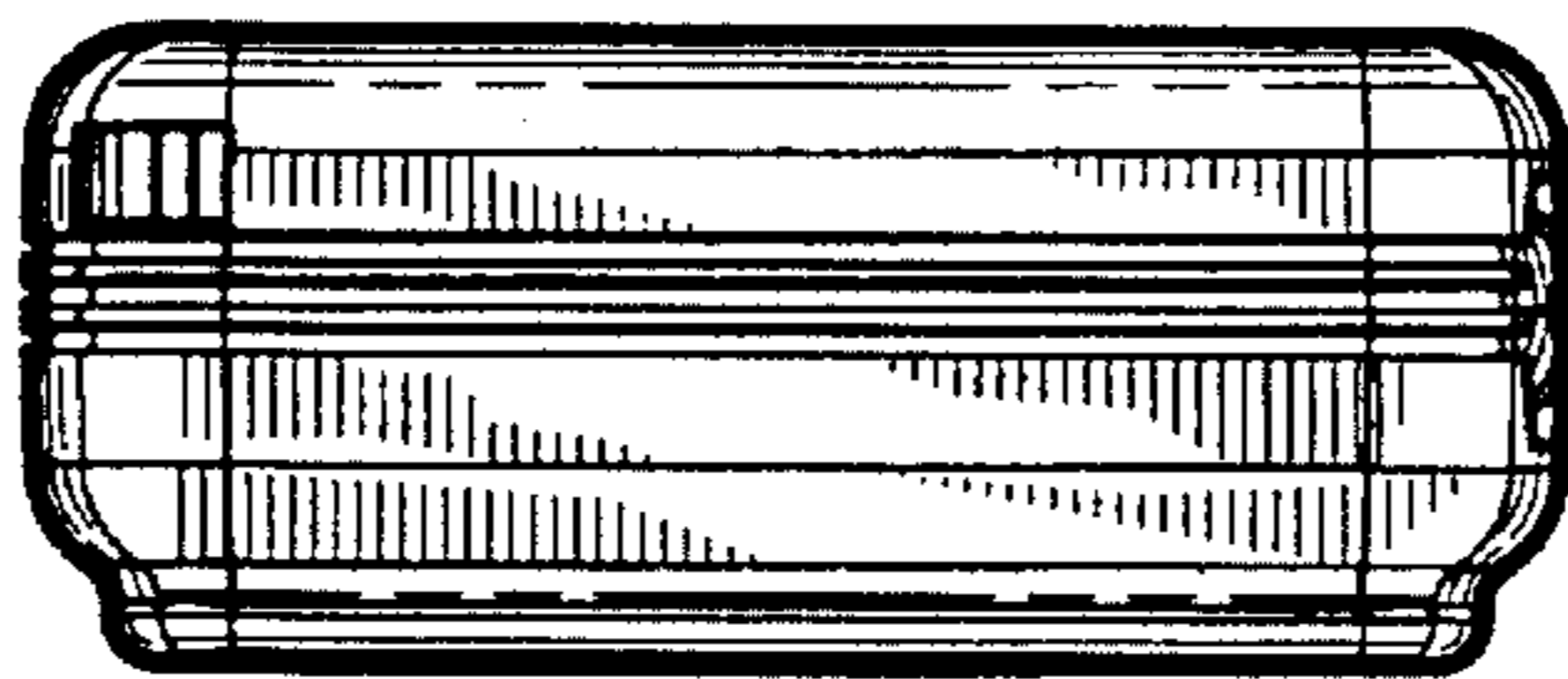


FIG. 5

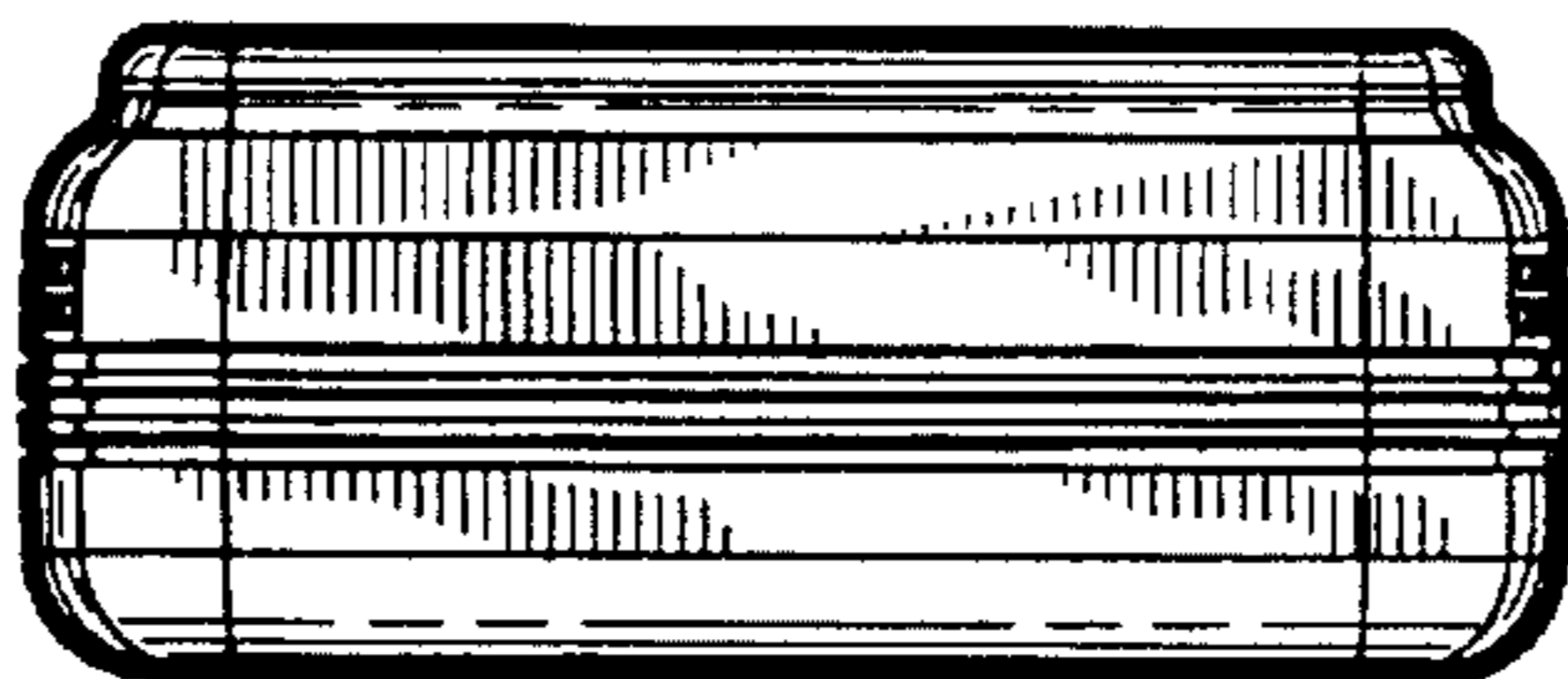


FIG. 6

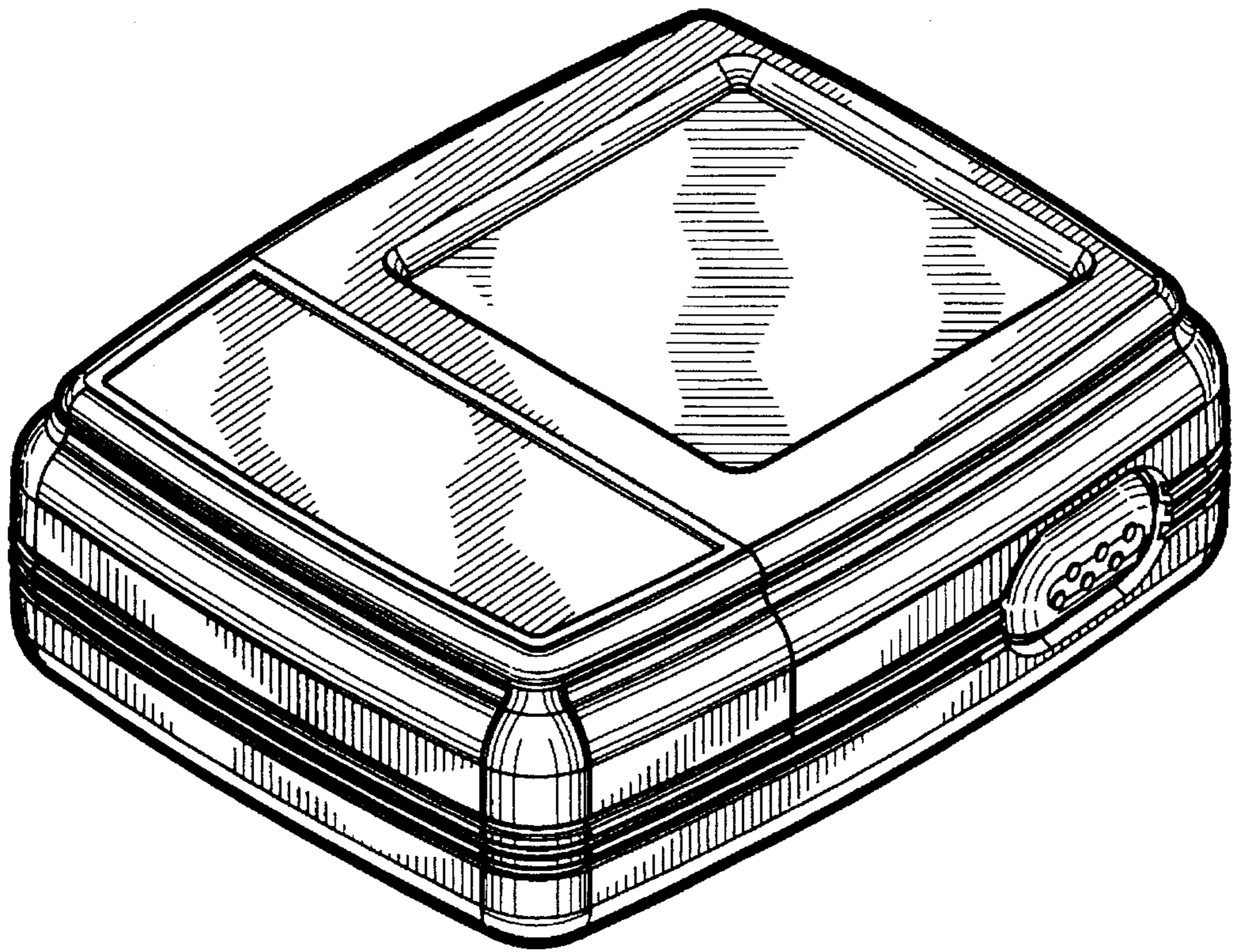


FIG. 7