



US00D369804S

United States Patent [19] Zeitman

[11] Patent Number: **Des. 369,804**

[45] Date of Patent: ****May 14, 1996**

[54] TELEPHONE

[75] Inventor: **Josh Zeitman**, Brooklyn, N.Y.

[73] Assignee: **Lennox Electronics Corp.**, Brooklyn, N.Y.

[**] Term: **14 Years**

[21] Appl. No.: **34,660**

[22] Filed: **Feb. 9, 1995**

[52] U.S. Cl. **D14/150**

[58] Field of Search D14/140, 142,
D14/137, 138, 149-151, 240, 241, 147,
148, 248; 379/419, 420, 428, 440, 433-436

[56] References Cited

U.S. PATENT DOCUMENTS

D. 289,639	5/1987	Anno et al.	D14/150
D. 292,798	11/1987	Wu	D14/150
D. 294,693	3/1988	Wu	D14/150
D. 297,637	9/1988	Fai et al.	D14/150
D. 300,430	3/1989	Moss	D14/150
D. 317,763	6/1991	Lin	D14/150
D. 317,764	6/1991	Lin	D14/247 X
D. 322,784	12/1991	Foy et al.	D14/142 X
D. 322,785	12/1991	Wu	D14/150
D. 328,071	7/1992	Wu	D14/142 X
D. 344,083	2/1994	Desbarats	D14/150

OTHER PUBLICATIONS

Washington Post, Jun. 14, 1985, U.S. Tron Pro Line Phone at top right.

B. A. Pargh 1989/90 Fall/Winter Catalog, p. 358, 201542 Tel-Tele Concepts Telephone, 2nd from top at right.

B. A. Pargh 1991 Spring/Summer Catalog, p. 315, The Lean Machine Phone by Lonestar, at top right.

Primary Examiner—Jeffrey Asch
Attorney, Agent, or Firm—Natter & Natter

[57] CLAIM

The ornamental design for a telephone, as shown and described.

DESCRIPTION

FIG. 1 is an exploded view of a telephone showing my new design with a base shown in top plan view and a handpiece in side elevation, the opposite side of the handpiece is a mirror image of the side shown;

FIG. 2 is a front elevation view of the base and handpiece;

FIG. 3 is an exploded right side elevation view thereof;

FIG. 4 is an exploded left side elevation view thereof;

FIG. 5 is a rear elevation view thereof;

FIG. 6 is a bottom view of the base;

FIG. 7 is bottom view of the handpiece; and,

FIG. 8 is a top plan view of the handpiece.

The telephone base and handpiece have been shown separately in FIG. 6, FIG. 7, and FIG. 8 for convenience of illustration.

1 Claim, 3 Drawing Sheets

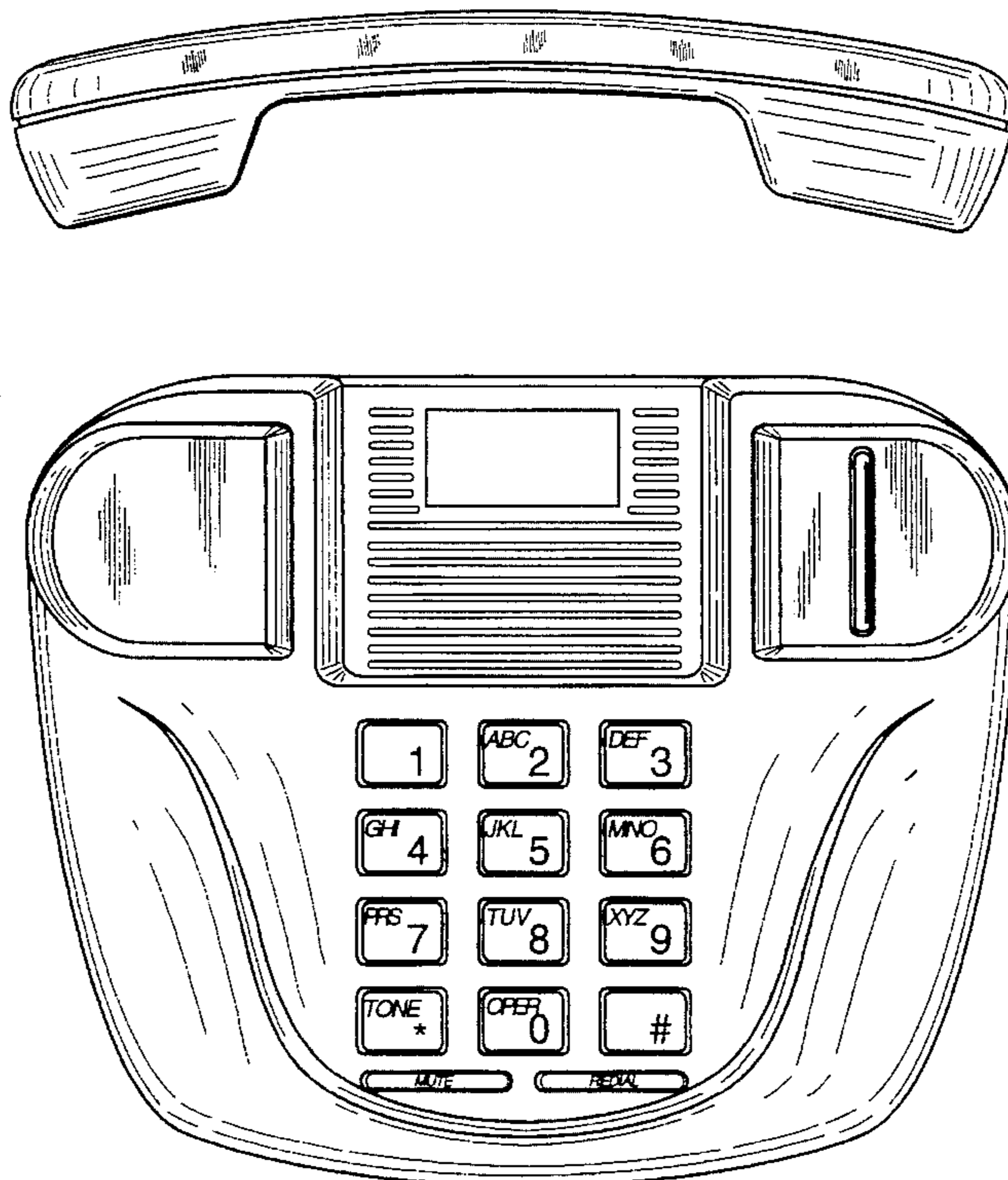


FIG. 1

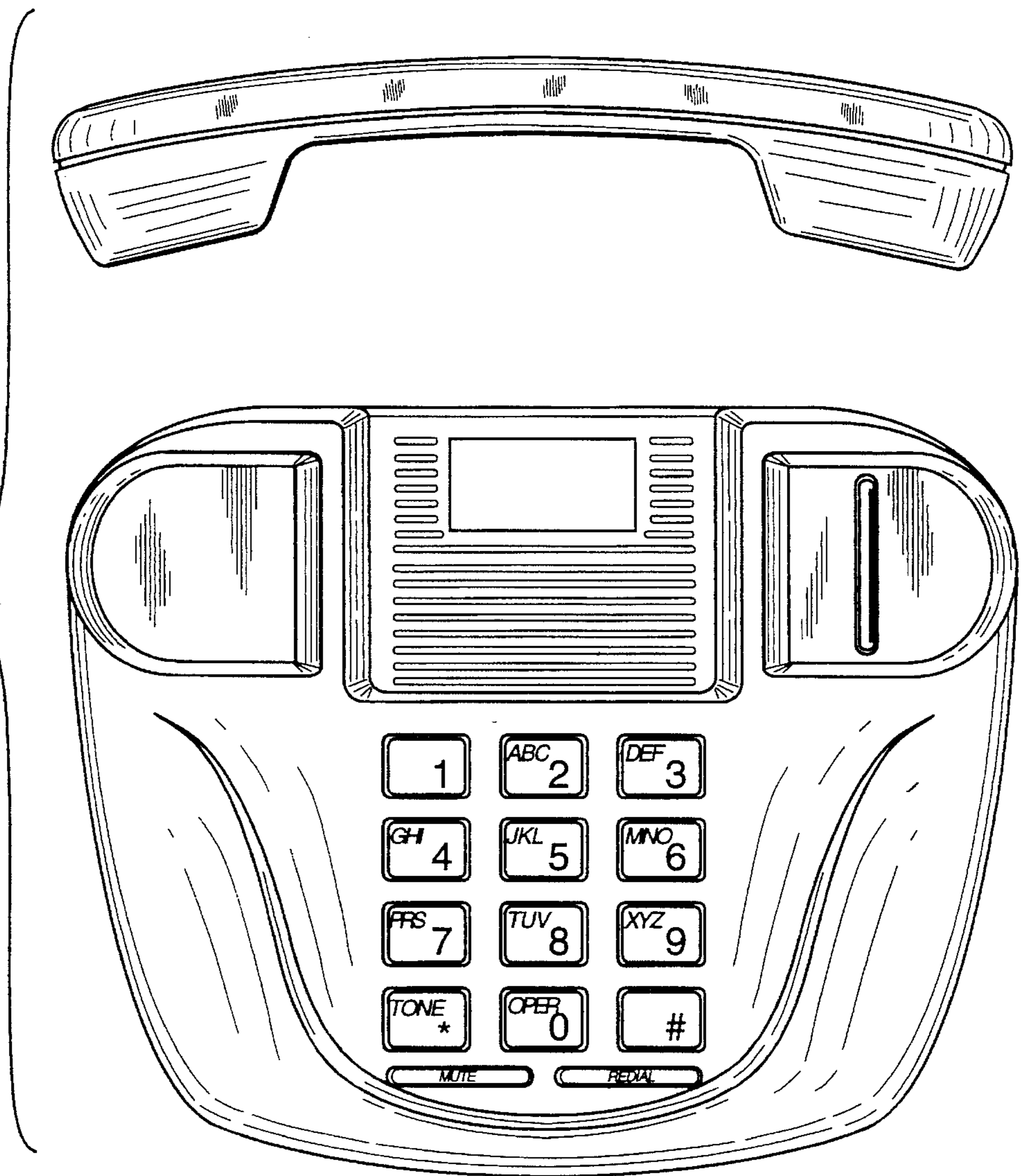


FIG. 7

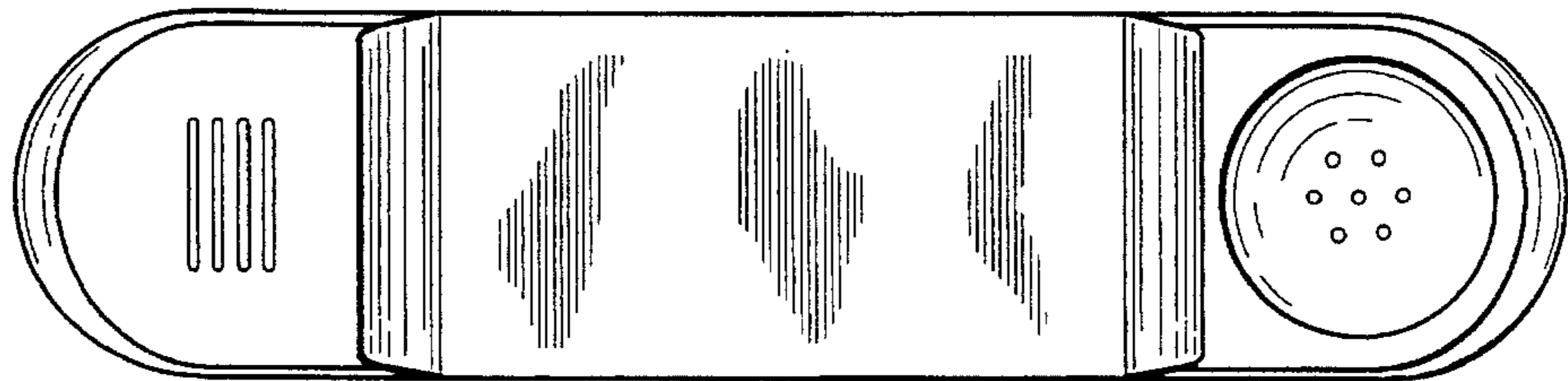


FIG. 2

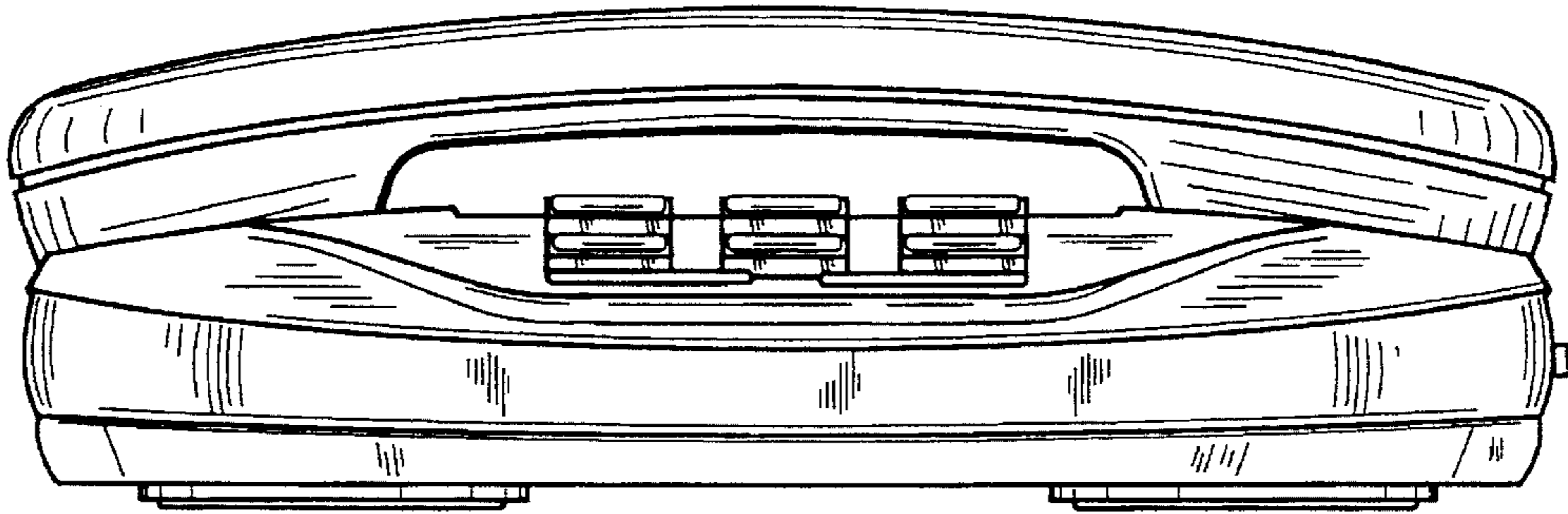


FIG. 3

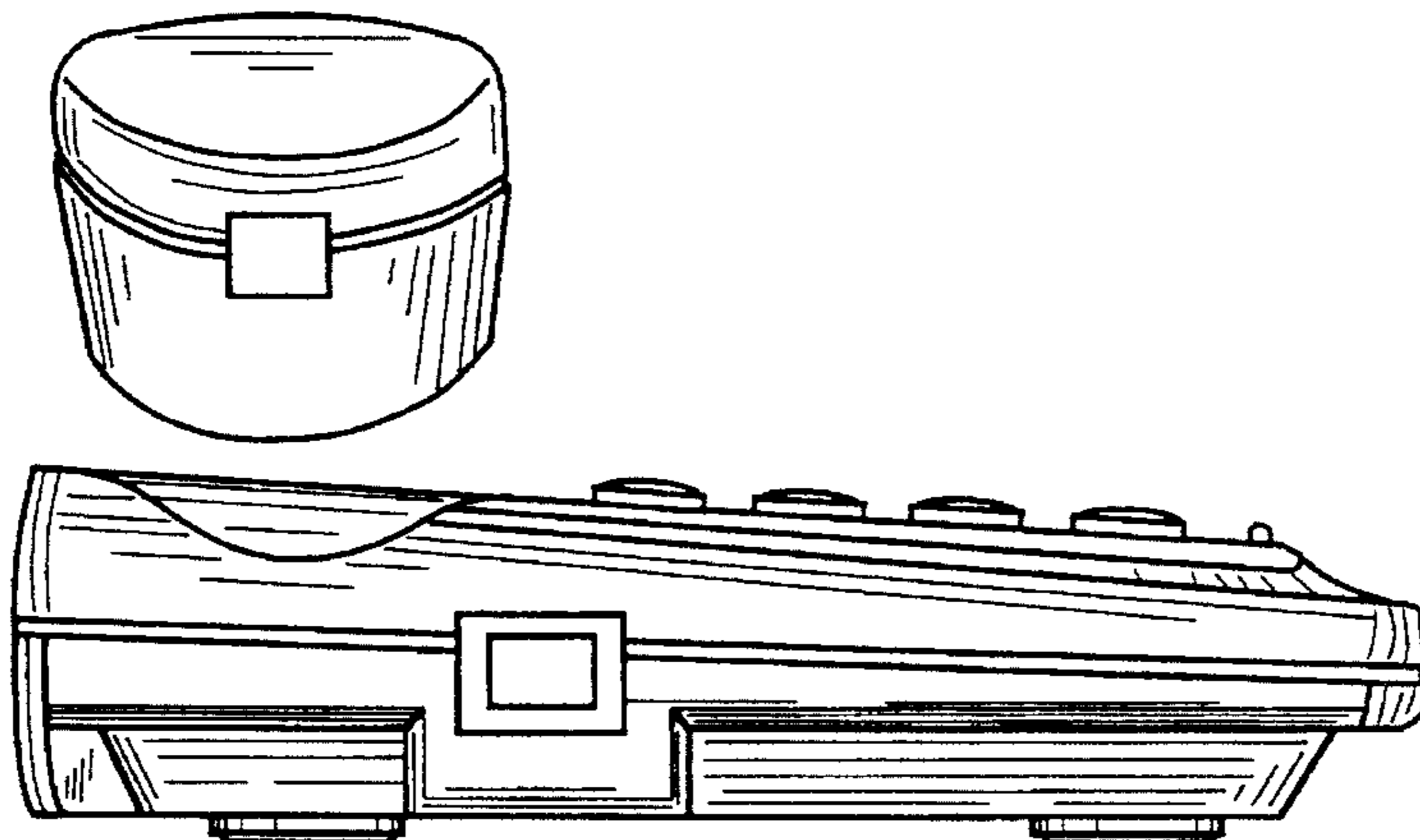
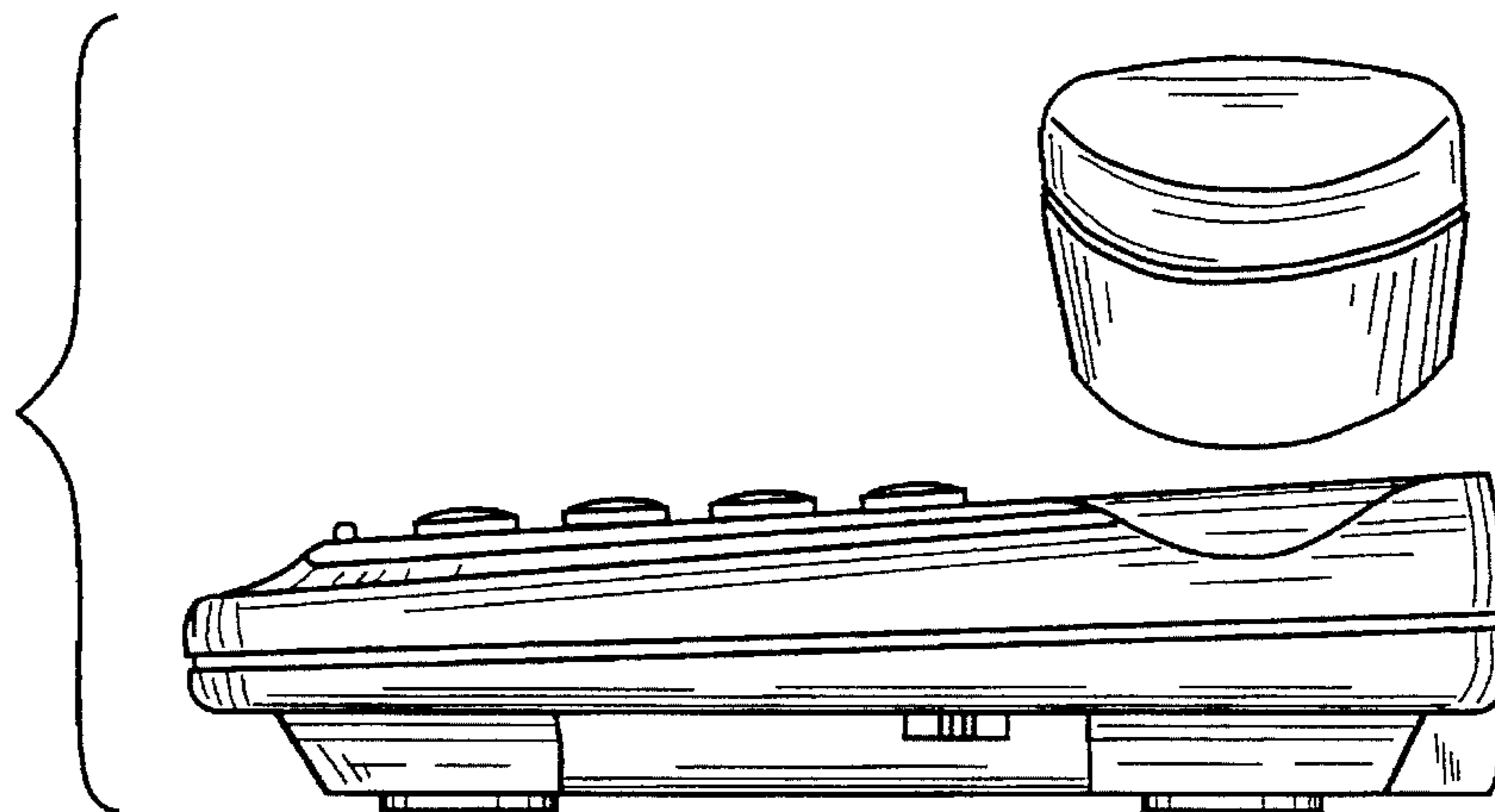


FIG. 4

FIG. 8

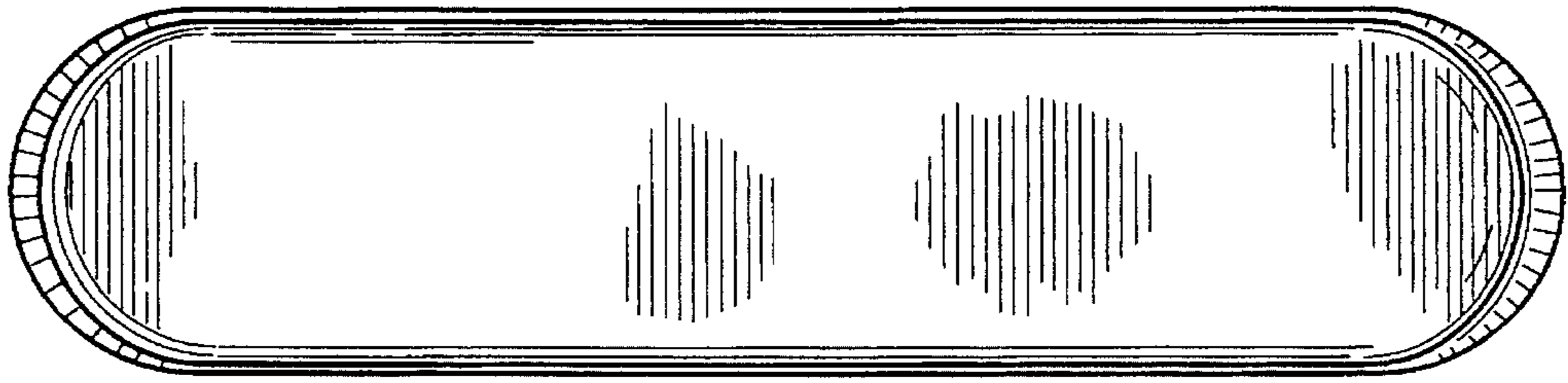


FIG. 5

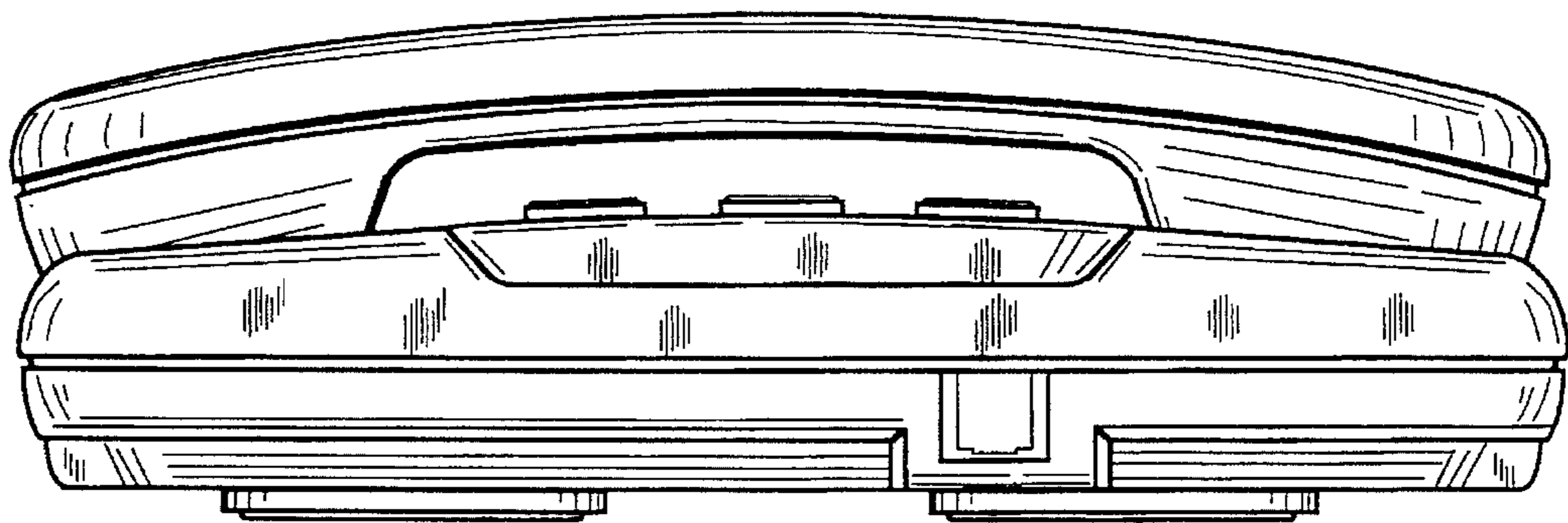


FIG. 6

