



US00D369794S

**United States Patent** [19]  
**Matsuki**

[11] **Patent Number: Des. 369,794**

[45] **Date of Patent: \*\*May 14, 1996**

[54] **CASSETTE TAPE**

[75] Inventor: **Tadao Matsuki**, Ibaraki, Japan

[73] Assignee: **Hitachi Maxell Ltd.**, Japan

[\*\*] Term: **14 Years**

[21] Appl. No.: **38,321**

[22] Filed: **May 3, 1995**

[30] **Foreign Application Priority Data**

Dec. 22, 1994 [JP] Japan ..... 6-39344  
Dec. 22, 1994 [JP] Japan ..... 6-39345

[52] **U.S. Cl.** ..... **D14/121**

[58] **Field of Search** ..... D14/120-123,  
D14/299, 100; 242/348, 348.4, 341; 360/132,  
133; 273/148 B, 433-438, DIG. 28

[56] **References Cited**

**U.S. PATENT DOCUMENTS**

D. 308,866 6/1990 Kinoshita et al. .... D14/121  
D. 316,406 4/1991 Yonehara ..... D14/121  
D. 330,894 11/1992 Horikiri ..... D14/121  
D. 349,895 8/1994 Gramuglia ..... D14/121  
4,566,653 1/1986 Bettinger et al. .... D14/121 X

**OTHER PUBLICATIONS**

HongKong Enterprise, Oct. 1992, p. 359.

*Primary Examiner*—Prabhakar G. Deshmukh  
*Attorney, Agent, or Firm*—Ostrolenk, Faber, Gerb & Soffen

[57] **CLAIM**

The ornamental design for a cassette tape, as shown and described.

**DESCRIPTION**

FIG. 1 is a front perspective view of a first embodiment of a cassette tape showing my new design;

FIG. 2 is a front elevational view of the embodiment shown in FIG. 1, the rear elevational view being a mirror image;

FIG. 3 is a top plan view of the embodiment shown in FIG. 1;

FIG. 4 is a bottom plan view of the embodiment shown in FIG. 1;

FIG. 5 is a left side elevational view of the embodiment shown in FIG. 1, the right side elevational view being the same;

FIG. 6 is a front perspective view of a second embodiment of a cassette tape showing my new design;

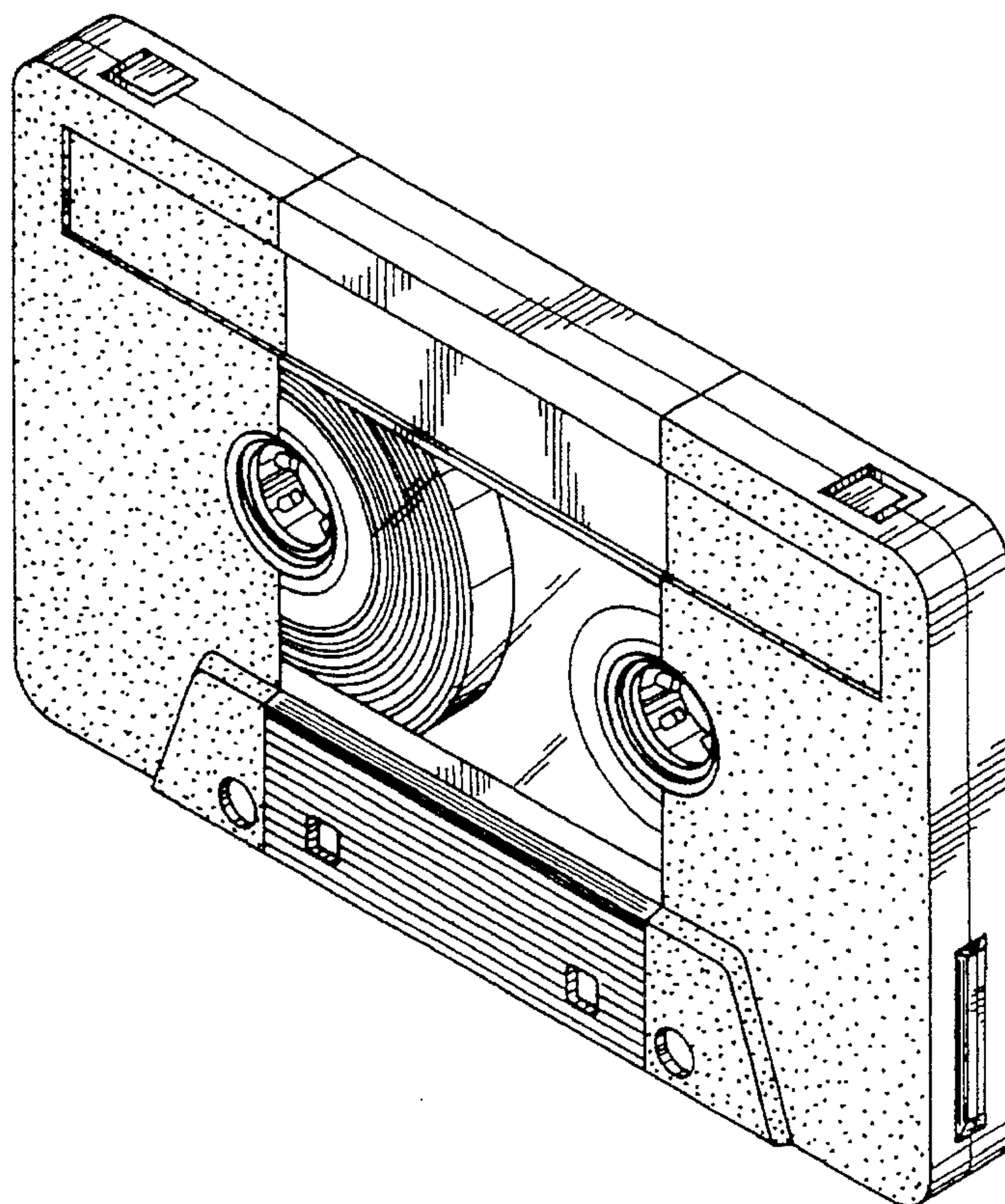
FIG. 7 is a front elevational view of the embodiment shown in FIG. 6, the rear elevational view being a mirror image;

FIG. 8 is a top plan view of the embodiment shown in FIG. 6;

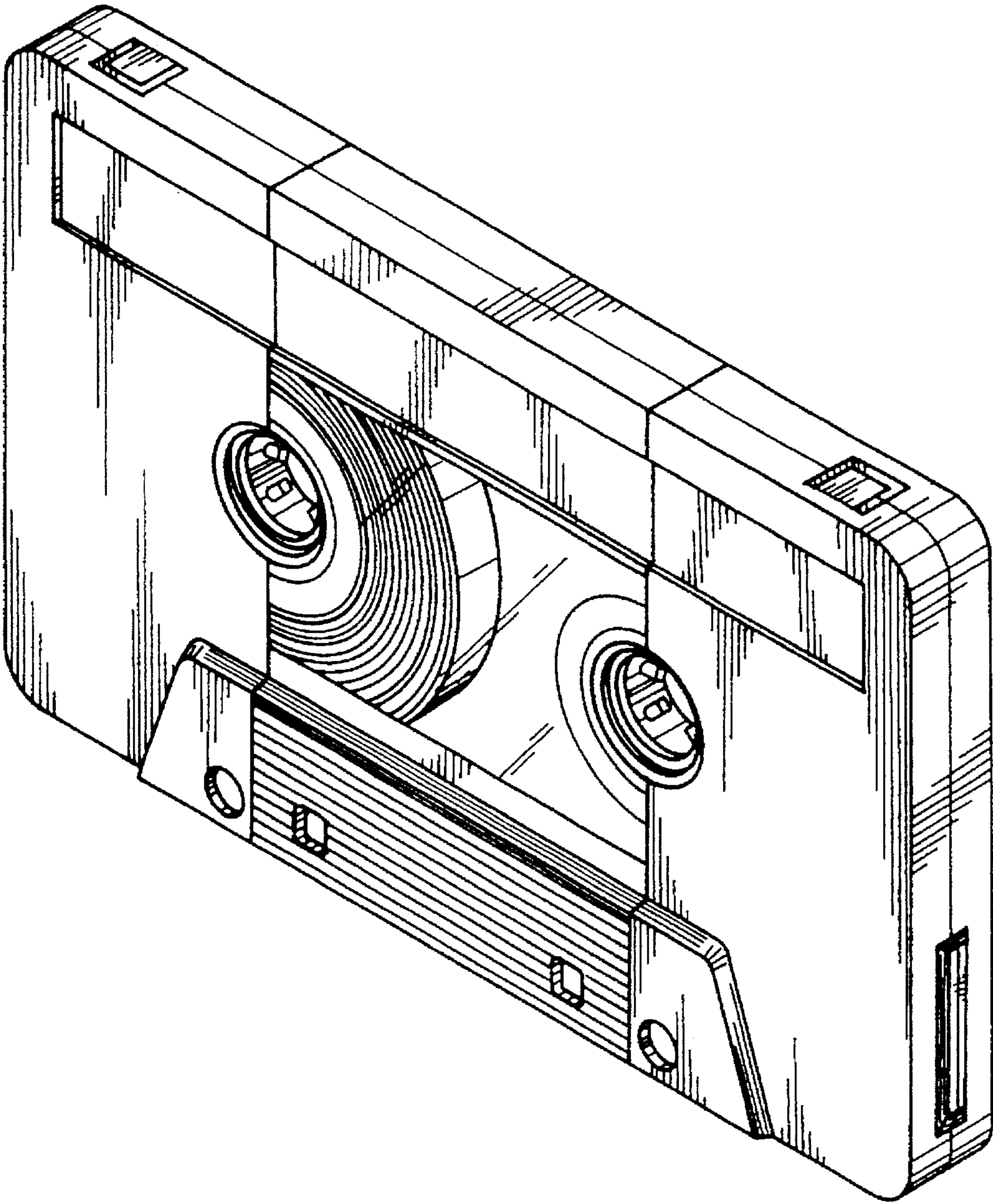
FIG. 9 is a bottom plan view of the embodiment shown in FIG. 6; and,

FIG. 10 is a left side elevational view of the embodiment shown in FIG. 6, the right side elevational view being the same.

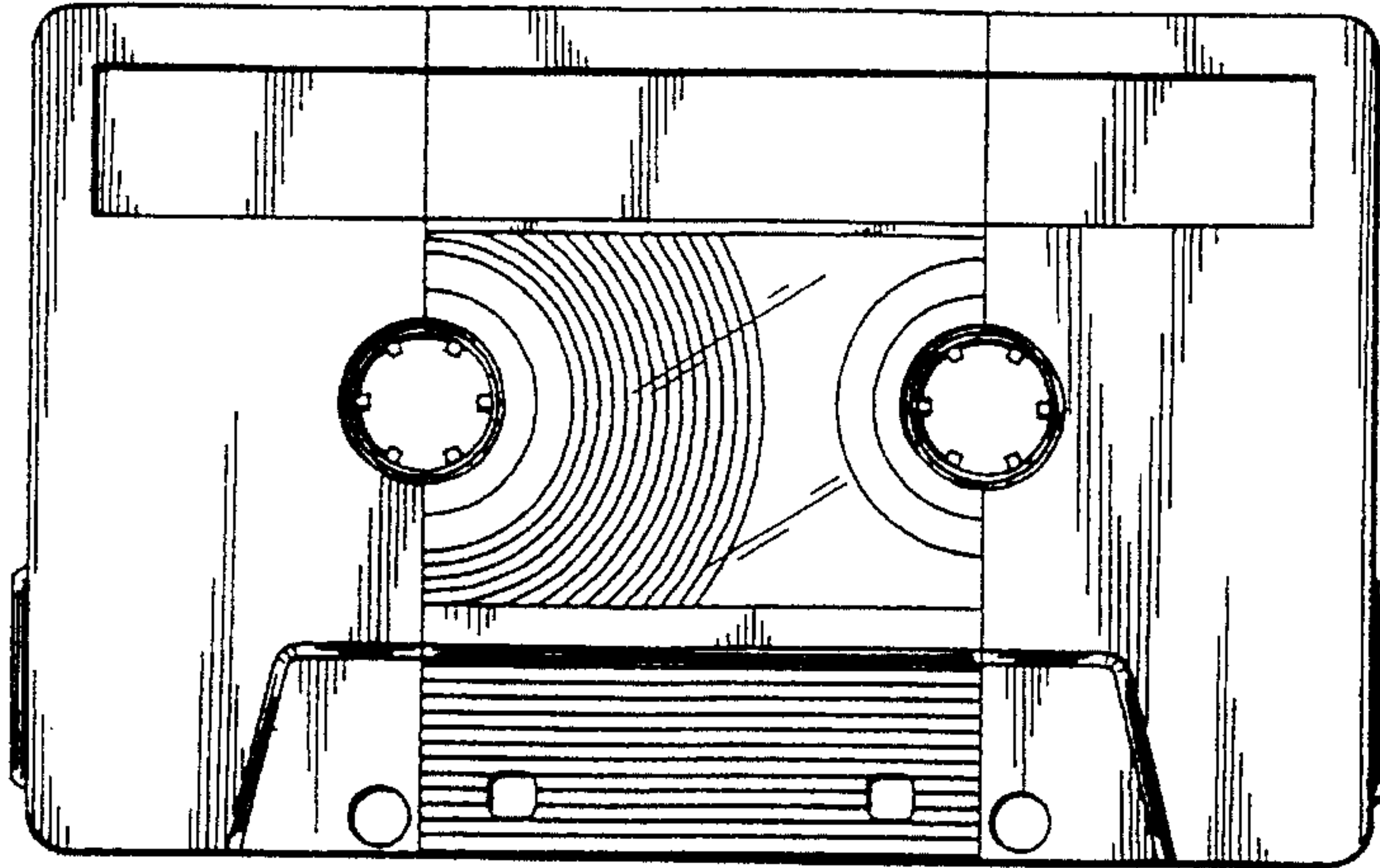
**1 Claim, 4 Drawing Sheets**



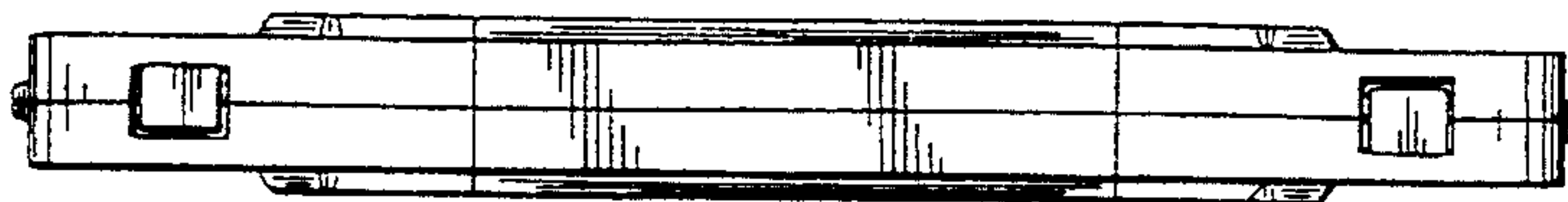
*Fig. 1*



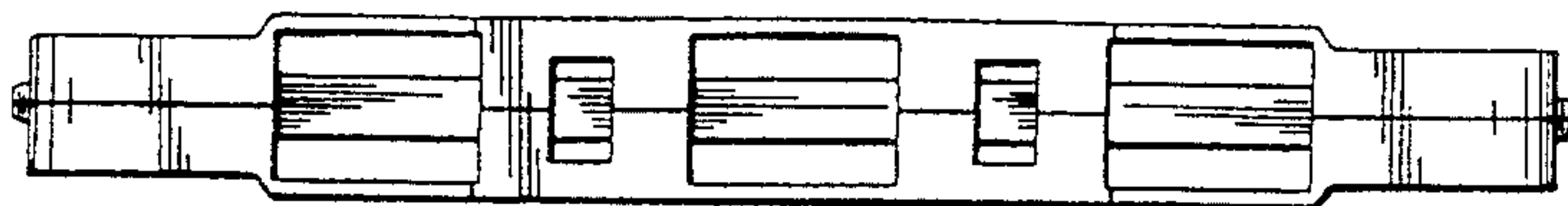
*Fig. 2*



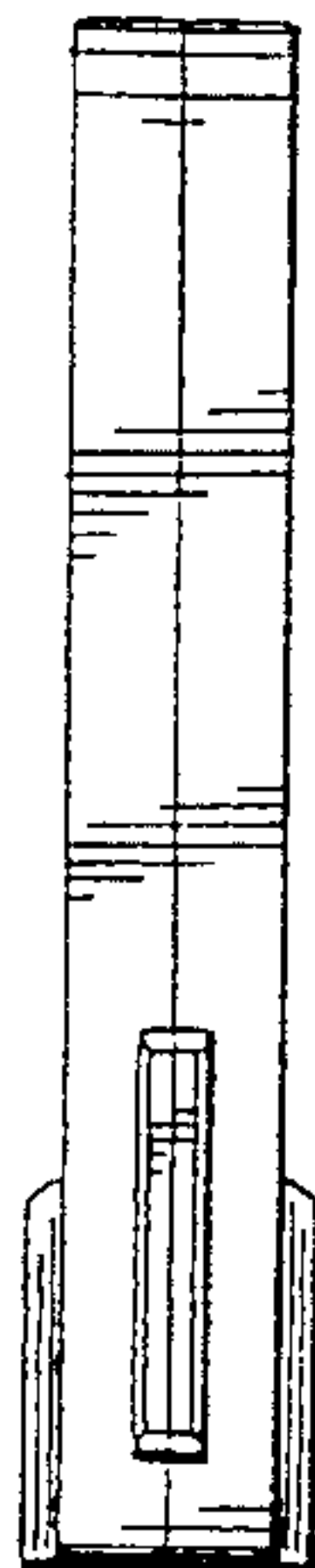
*Fig. 3*



*Fig. 4*

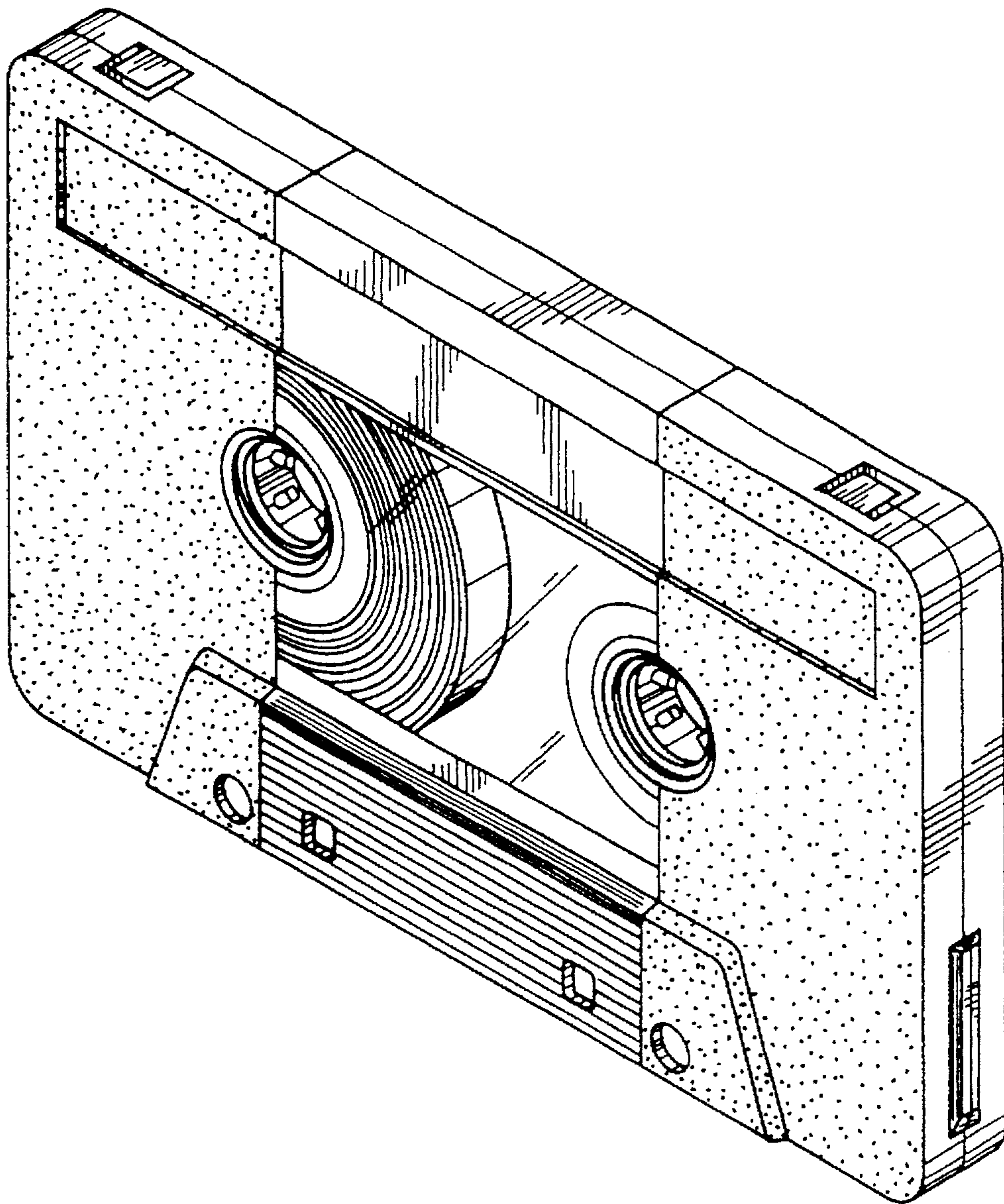


*Fig. 5*

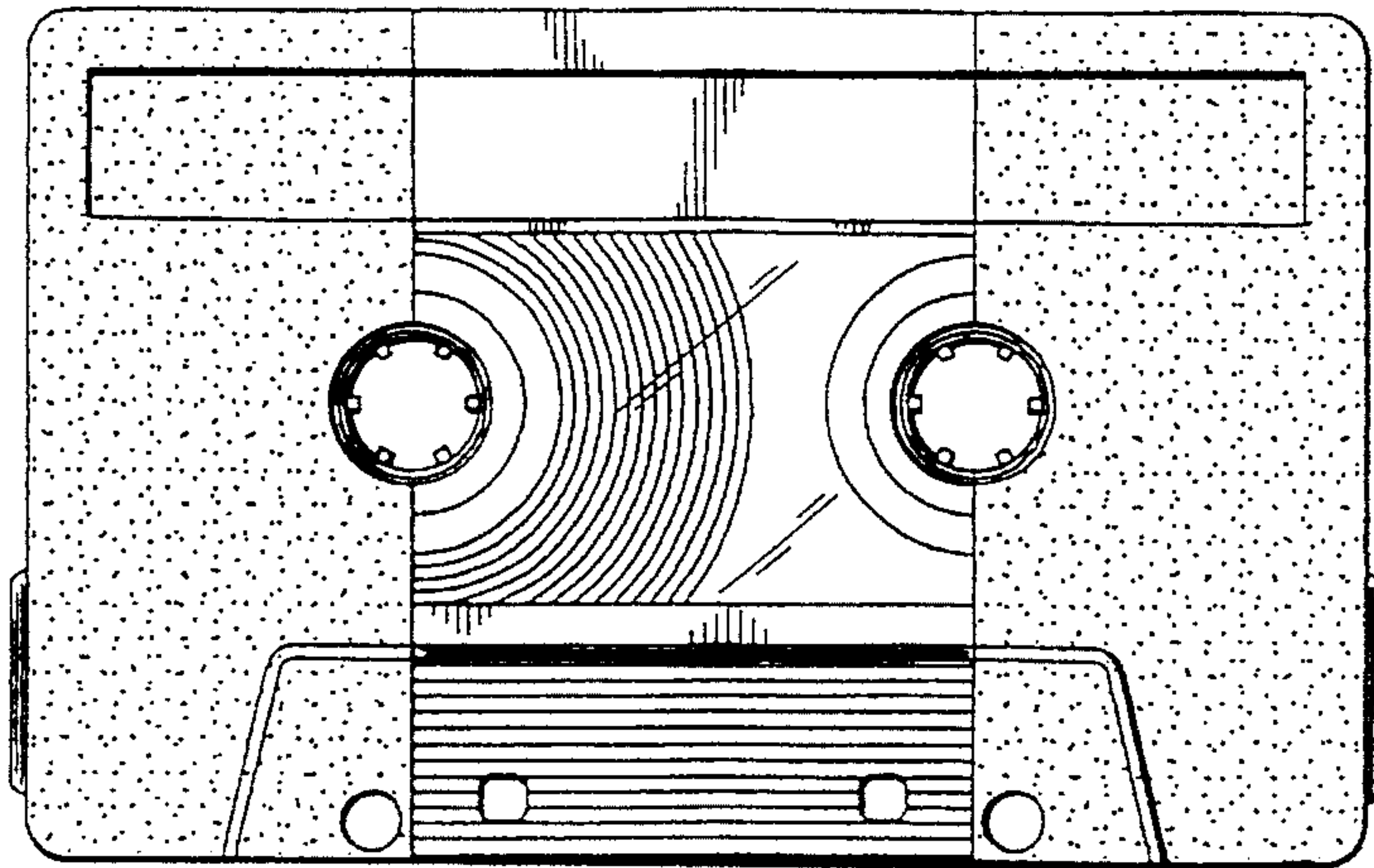




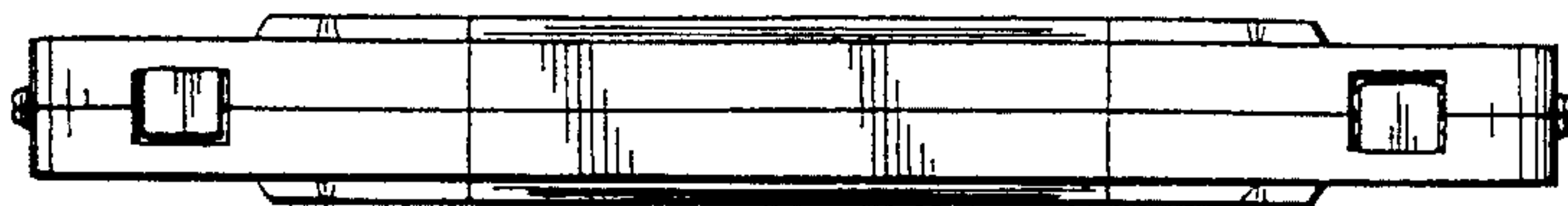
*Fig. 6*



*Fig. 7*



*Fig. 8*



*Fig. 9*



*Fig. 10*

