



US00D369792S

United States Patent [19]

Paterson et al.

[11] Patent Number: **Des. 369,792**

[45] Date of Patent: ****May 14, 1996**

[54] **FACIAL PORTION OF A MINI TOWER PERSONAL COMPUTER**

[75] Inventors: **Robert W. Paterson**, Seneca, S.C.; **Graham P. Marshall**, Gloucester, Canada; **John P. Caldwell**, Middletown; **Scott M. Belliveau**, Springboro, both of Ohio

[73] Assignee: **AT&T Global Information Solutions Company**, Dayton, Ohio

[**] Term: **14 Years**

[21] Appl. No.: **36,787**

[22] Filed: **Mar. 27, 1995**

[52] U.S. Cl. **D14/114**

[58] **Field of Search** D14/100, 102, D14/107-9; D13/162, 184, 199; 361/600, 679, 622, 724-7; 360/97.01-99.12; 312/223.1, 223.2, 223.3

[56] **References Cited**

U.S. PATENT DOCUMENTS

- D. 312,624 12/1990 Tedham D14/100
- D. 340,444 10/1993 Kuba et al. D14/100
- D. 342,058 12/1993 Tsuchiya D14/100
- D. 351,186 10/1994 Agata et al. D14/100 X

- D. 353,802 12/1994 Jasinski D14/100
- D. 355,195 2/1995 Burke D14/100 X
- D. 358,373 5/1995 Heard et al. D14/100
- D. 360,405 7/1995 Hill et al. D14/100
- D. 363,704 10/1995 Chang D14/100
- D. 365,331 12/1995 Martin et al. D14/100

Primary Examiner—M. H. Tung
Attorney, Agent, or Firm—Paul J. Maginot

[57] **CLAIM**

The ornamental design for a facial portion of a mini tower personal computer, as shown and described.

DESCRIPTION

FIG. 1 is a left, front perspective view of a facial portion of a mini tower personal computer, on an reduced scale; FIG. 2 is a front elevational view thereof; FIG. 3 is a left side elevational view thereof; FIG. 4 is a right side elevational view thereof; and, FIG. 5 is a top elevational view thereof; In FIGS. 1, 2, 3, 4, and 5, the broken lines showing of portions of the disk drives, vent holes, power switch, reset button, indicator lights and rear cabinet portion is for illustrative purposes only and forms no part of the claimed design.

The broken line drawing of the rear cabinet portion in FIGS. 3, 4, and 5 is shown broken away for ease of illustration.

1 Claim, 5 Drawing Sheets

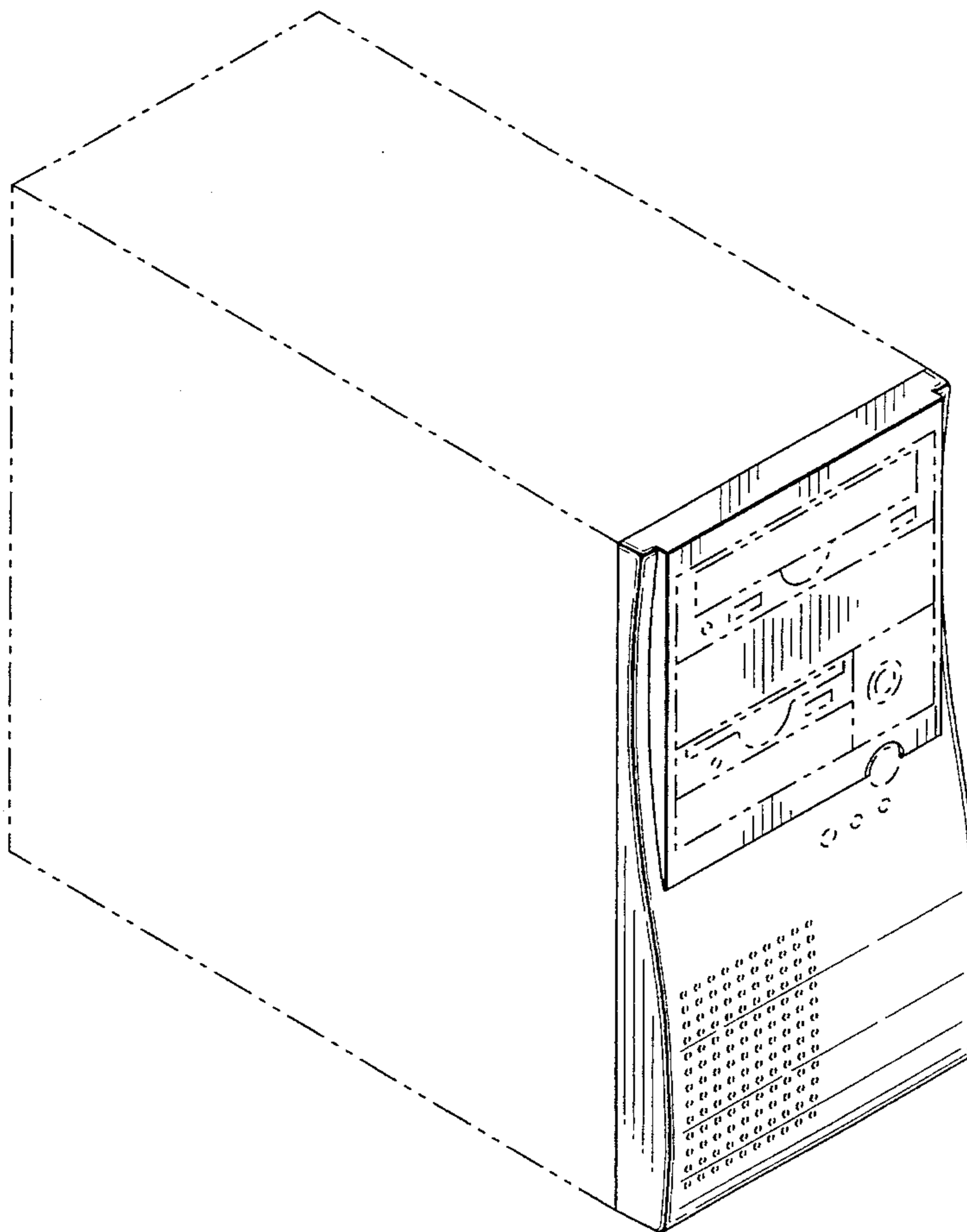


FIG. 1

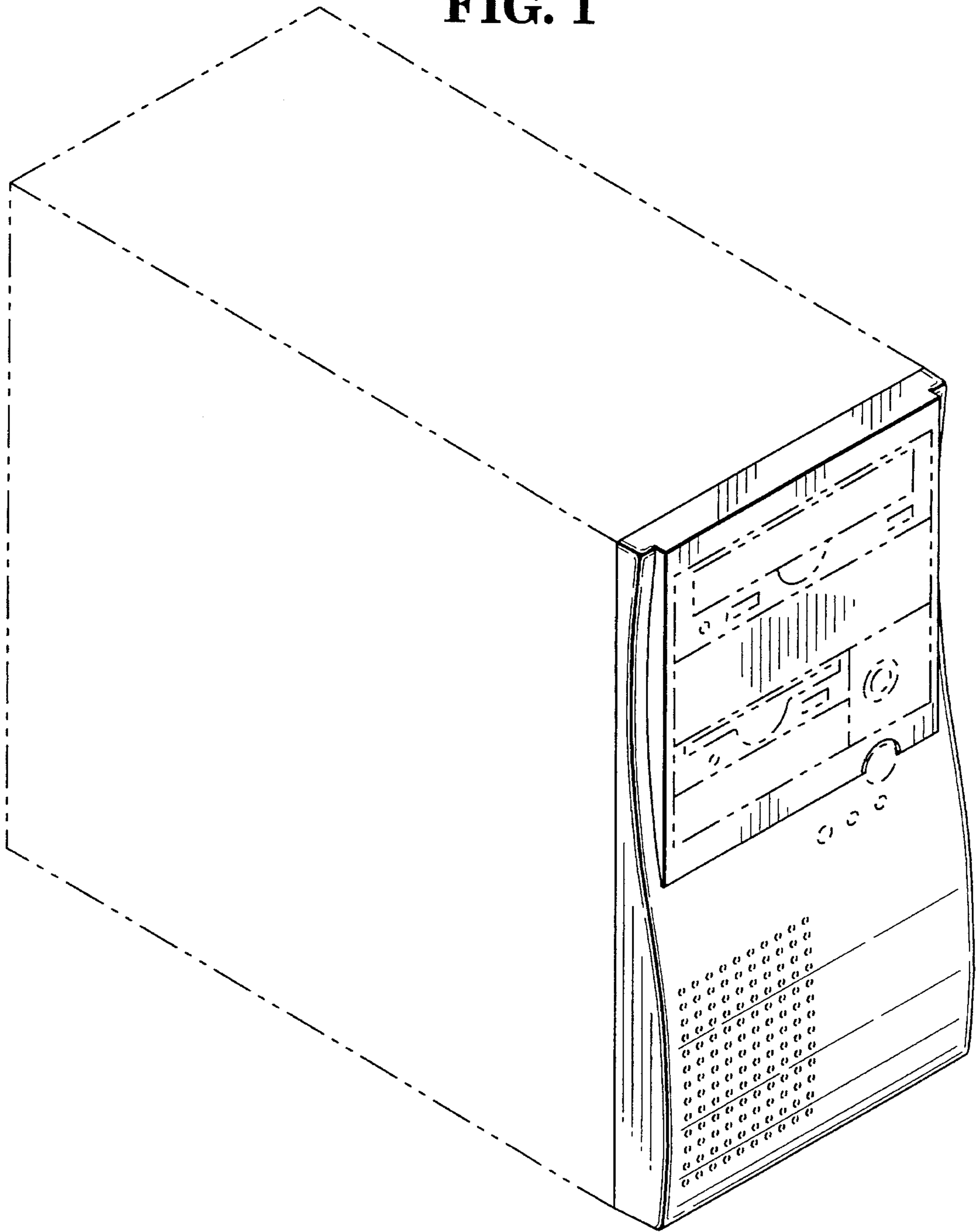


FIG. 2

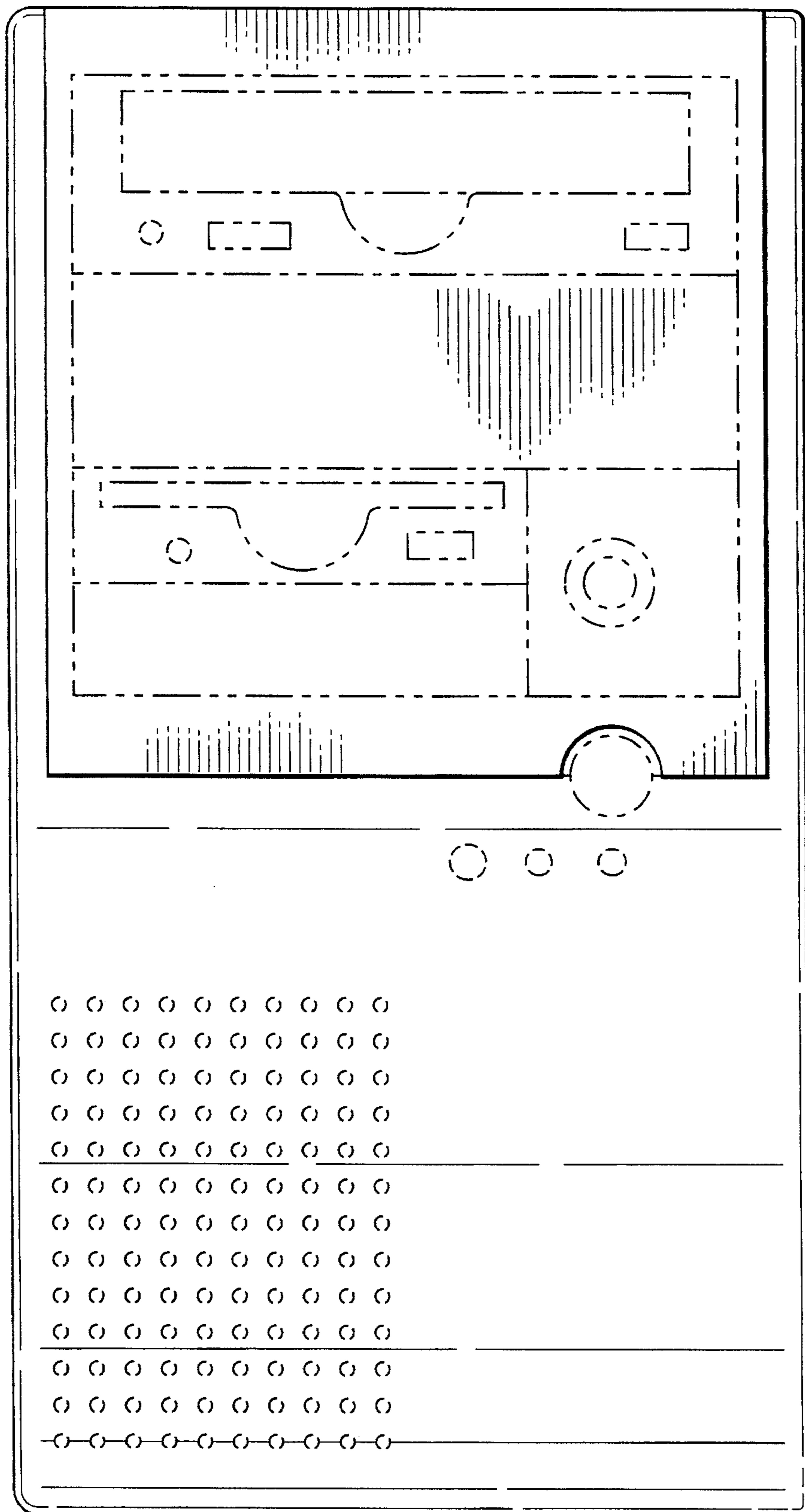


FIG. 3

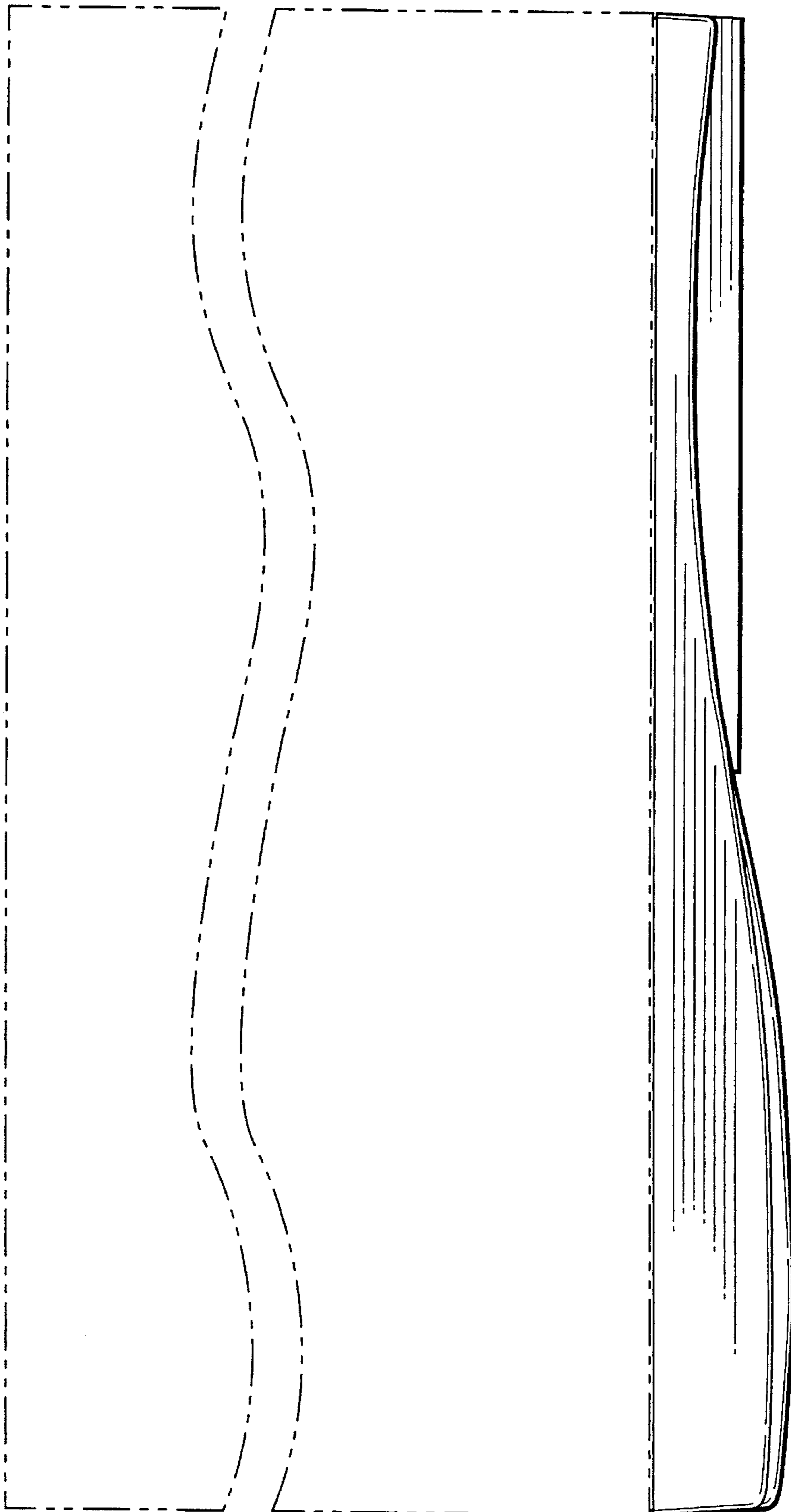


FIG. 4

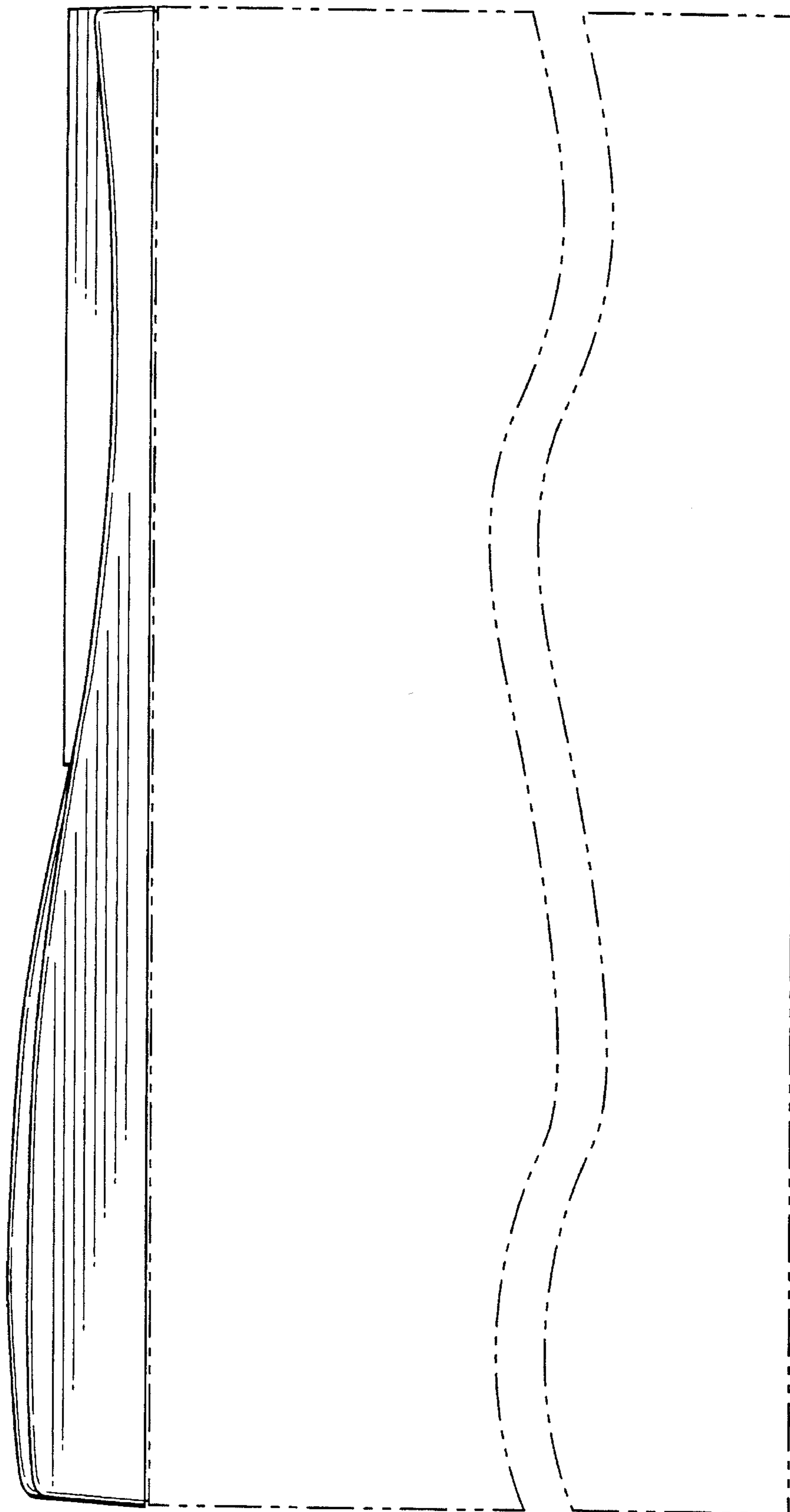


FIG. 5

