



US00D369790S

United States Patent [19] Kim

[11] Patent Number: **Des. 369,790**

[45] Date of Patent: ****May 14, 1996**

[54] **MONITOR**

[75] Inventor: **Kun O. Kim**, Seoul, Rep. of Korea

[73] Assignee: **Goldstar Co., Ltd.**, Rep. of Korea

[**] Term: **14 Years**

[21] Appl. No.: **28,635**

[22] Filed: **Sep. 19, 1994**

[30] Foreign Application Priority Data

Mar. 29, 1994 [KR] Rep. of Korea 6211/1994

[52] U.S. Cl. **D14/113; D14/126**

[58] Field of Search D14/100, 101,
D14/106, 113, 124-127, 129; 345/104,
133, 156, 168, 173, 87, 901-905; 358/249,
254, 255; 248/917-924

[56] References Cited

U.S. PATENT DOCUMENTS

D. 309,133 7/1990 Jo D14/126

D. 342,727 12/1993 Yoshimoto et al. D14/113

D. 347,001 5/1994 Lee D14/113

D. 350,946 9/1994 Stewart et al. D14/113

Primary Examiner—Freda Nunn

Attorney, Agent, or Firm—Beveridge, DeGrandi, Weilacher & Young

[57] CLAIM

The ornamental design for a monitor, as shown and described.

DESCRIPTION

FIG. 1 is a perspective view of a monitor showing my new design;

FIG. 2 is a top plan view thereof;

FIG. 3 is a front elevational view thereof;

FIG. 4 is a right side elevational view thereof the left side view not shown is a mirror image of the right side view shown in FIG. 4;

FIG. 5 is a bottom plan view thereof; and,

FIG. 6 is a rear elevational view thereof.

1 Claim, 3 Drawing Sheets

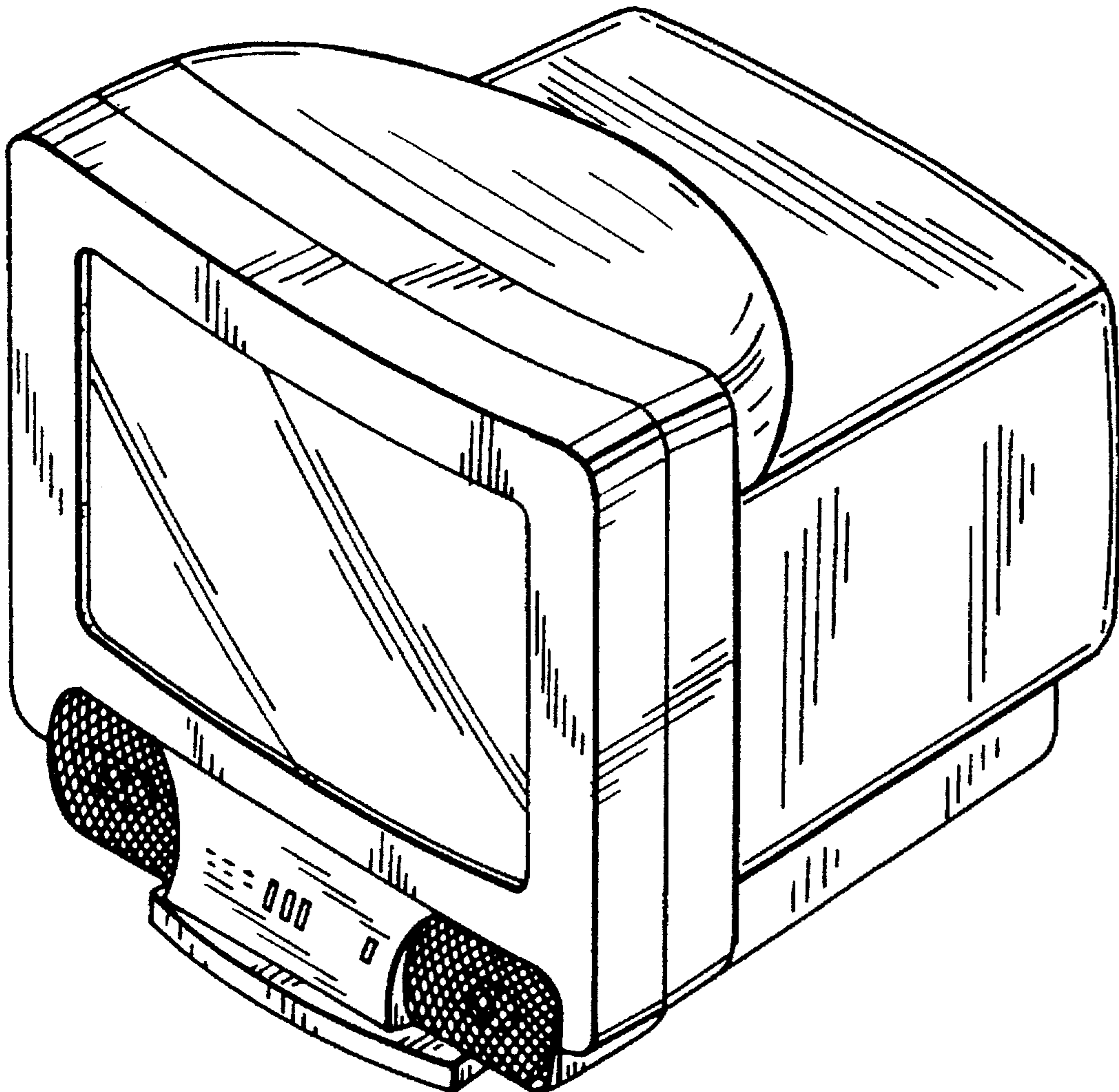


FIG. 1

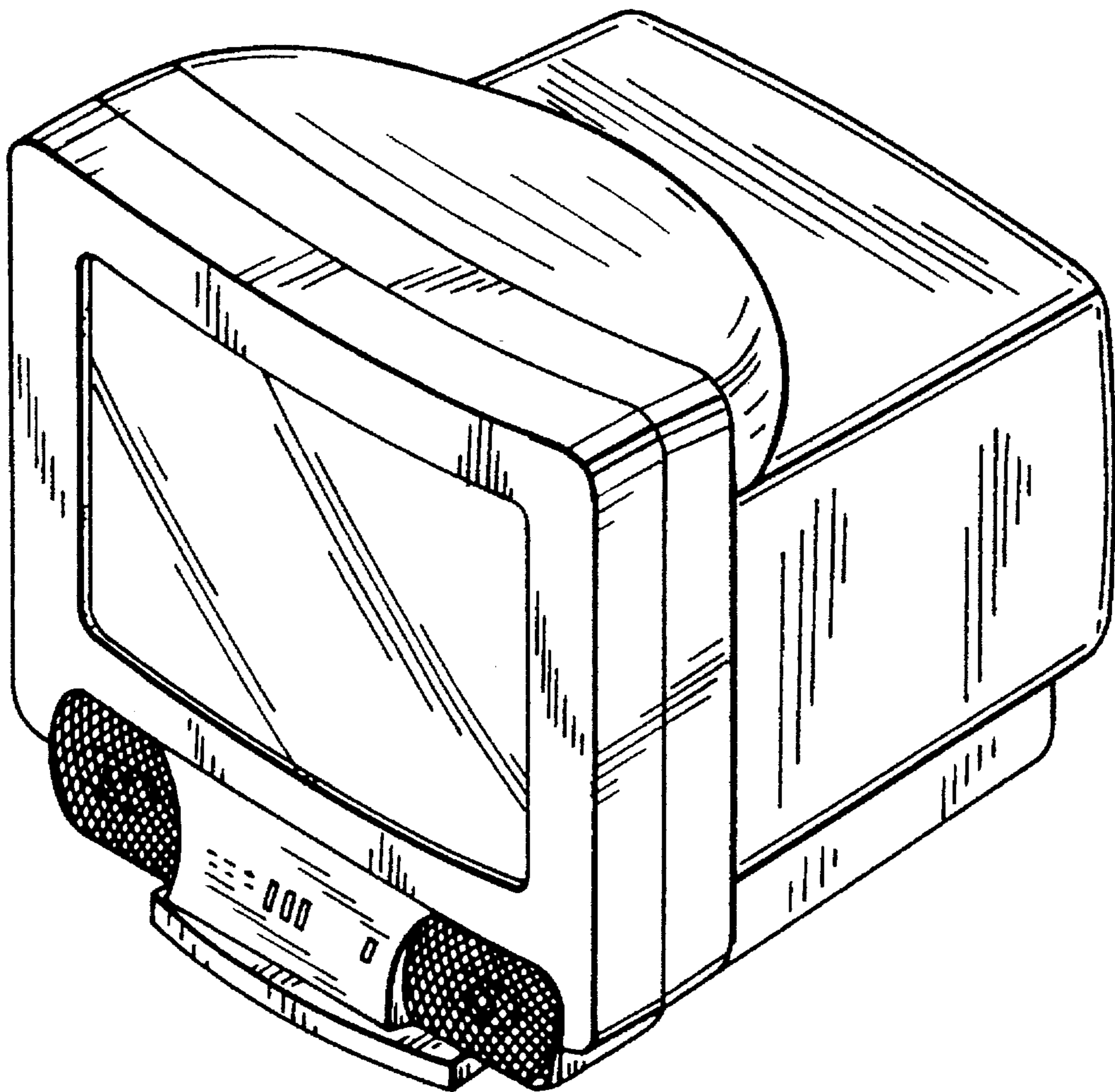


FIG.2

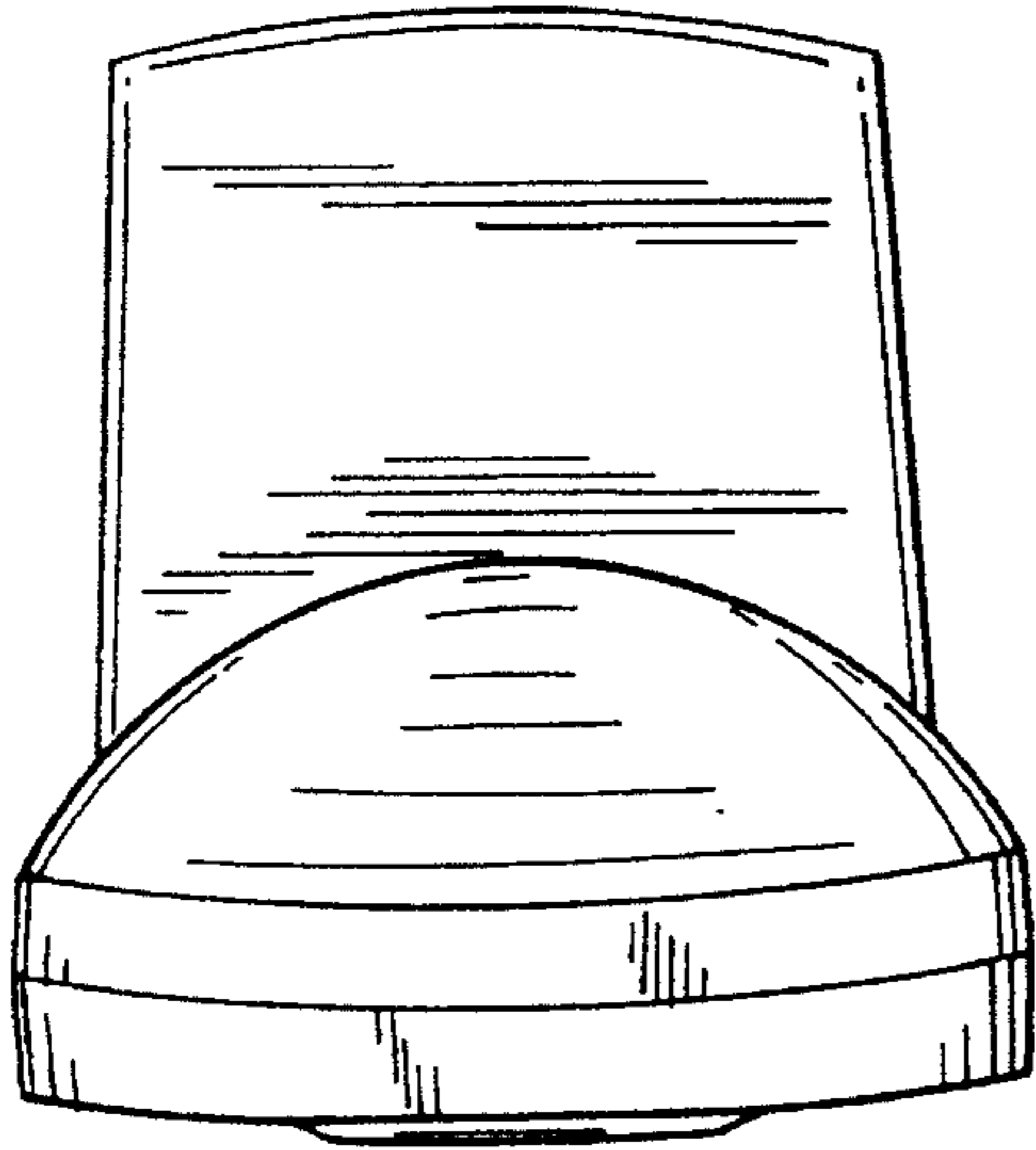


FIG.3

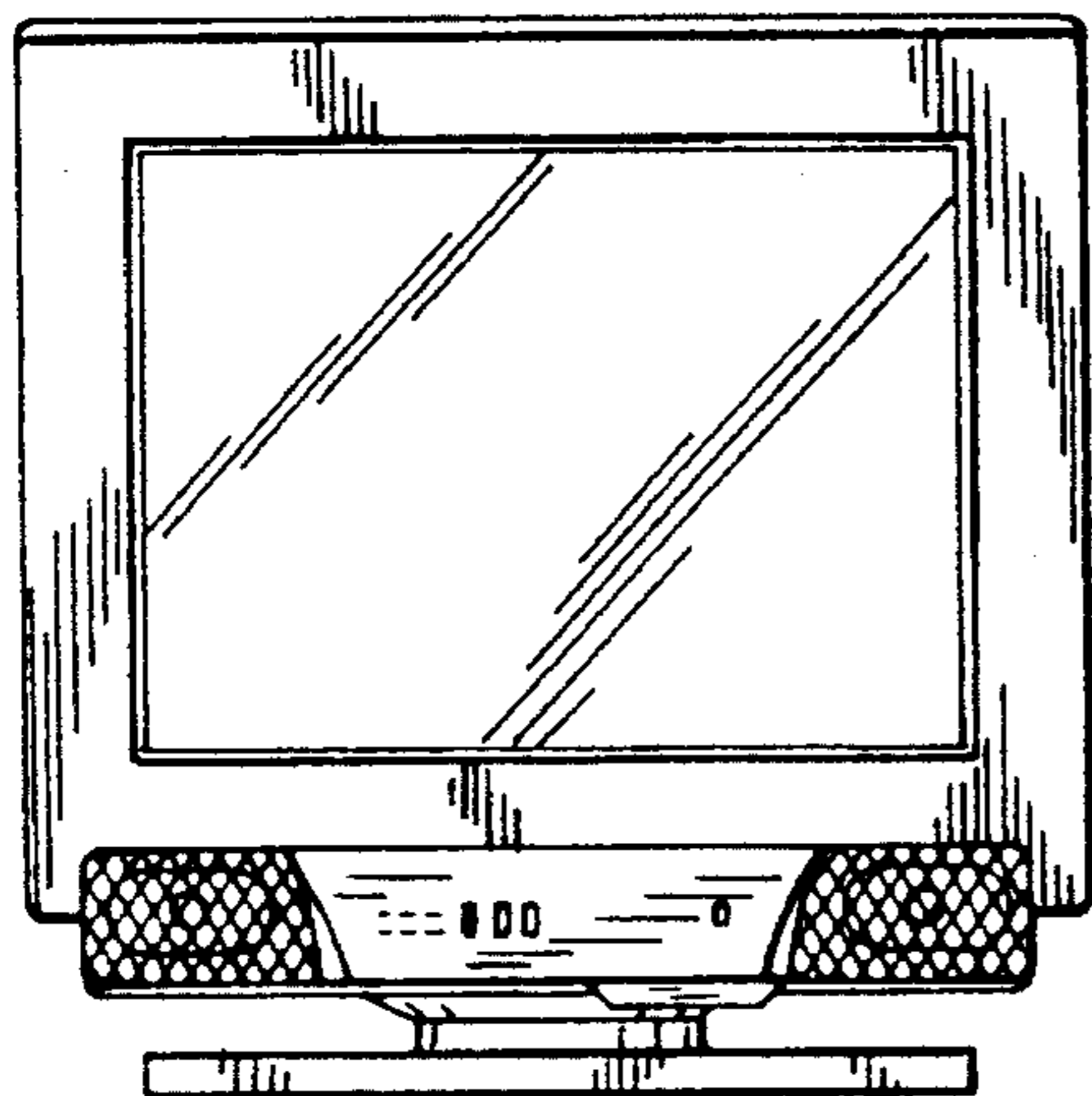


FIG.4

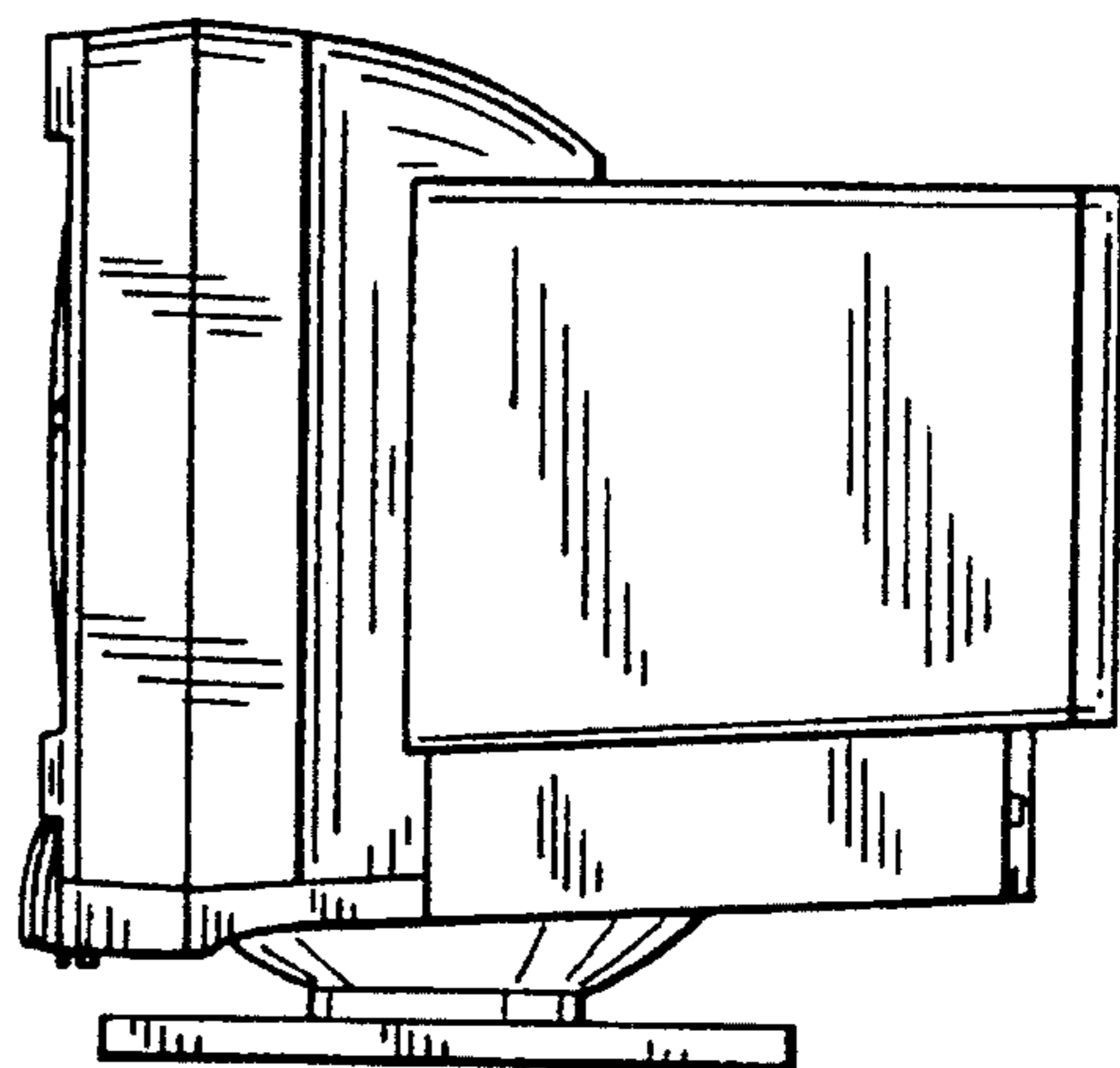


FIG. 5

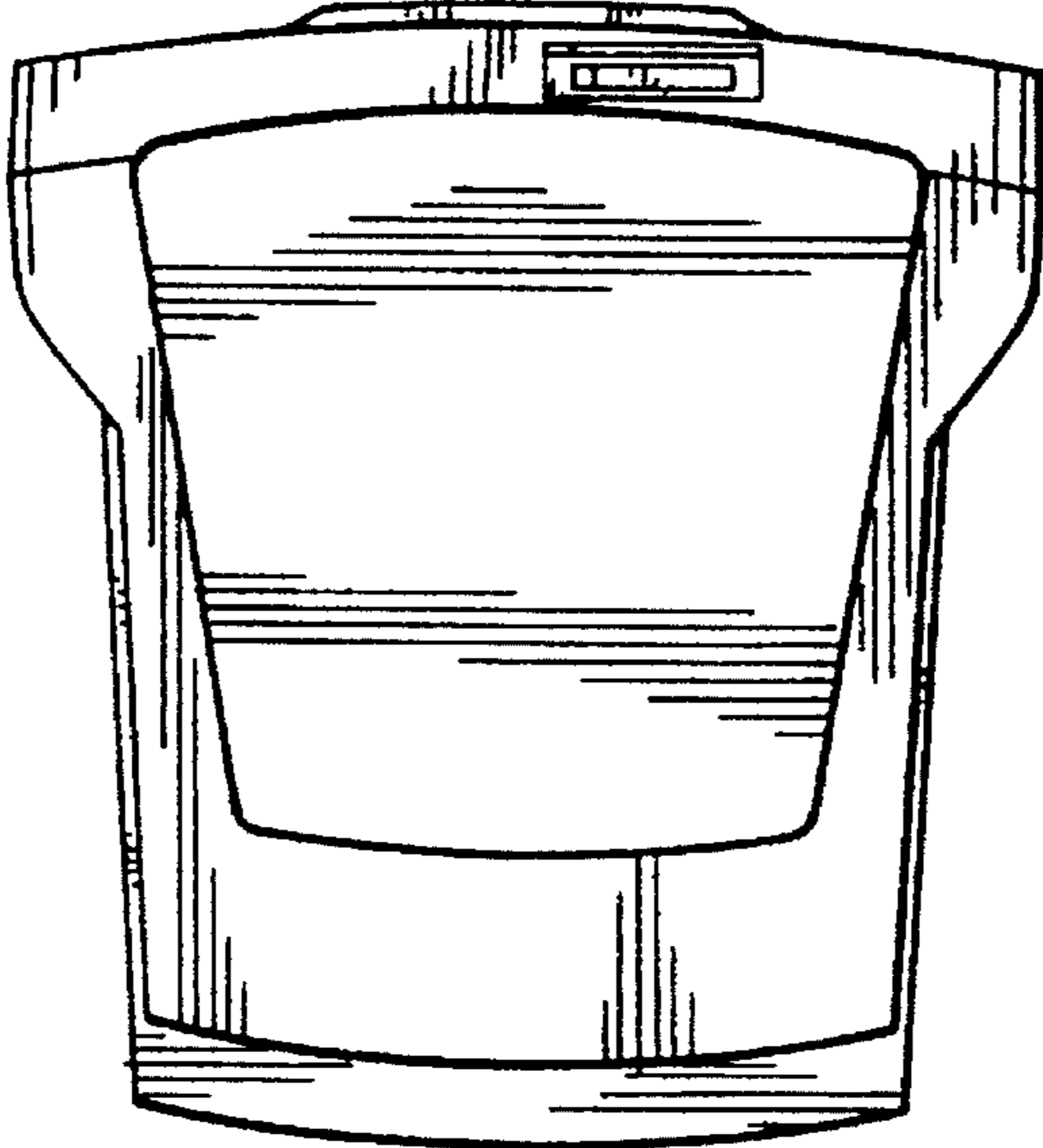


FIG. 6

