



US00D369789S

United States Patent [19]

Lucente, II et al.

[11] Patent Number: **Des. 369,789**

[45] Date of Patent: ****May 14, 1996**

[54] **DOCKING STATION FOR PORTABLE PERSONAL COMPUTER**

[75] Inventors: **Samuel A. Lucente, II**, Stamford, Conn.; **Thomas E. Pangburn**, Lexington, Ky.; **Marco M. Rengan**, Boca Raton, Fla.

[73] Assignee: **International Business Machines Corporation**, Armonk, N.Y.

[**] Term: **14 Years**

[21] Appl. No.: **25,436**

[22] Filed: **Jul. 1, 1994**

[52] U.S. Cl. **D14/107**

[58] **Field of Search** D14/100, 107, D14/114; D13/184, 199; 361/683, 684, 685, 686; 364/708.1; 439/95, 284, 357, 372

[56] **References Cited**

U.S. PATENT DOCUMENTS

D. 336,287	6/1993	Mizusugi et al.	D14/107
D. 342,487	12/1993	Iino	D14/107
5,126,954	6/1992	Morita	D14/107 X

Primary Examiner—Freda Nunn
Attorney, Agent, or Firm—Martin J. McKinley; Andrew J. Dillon

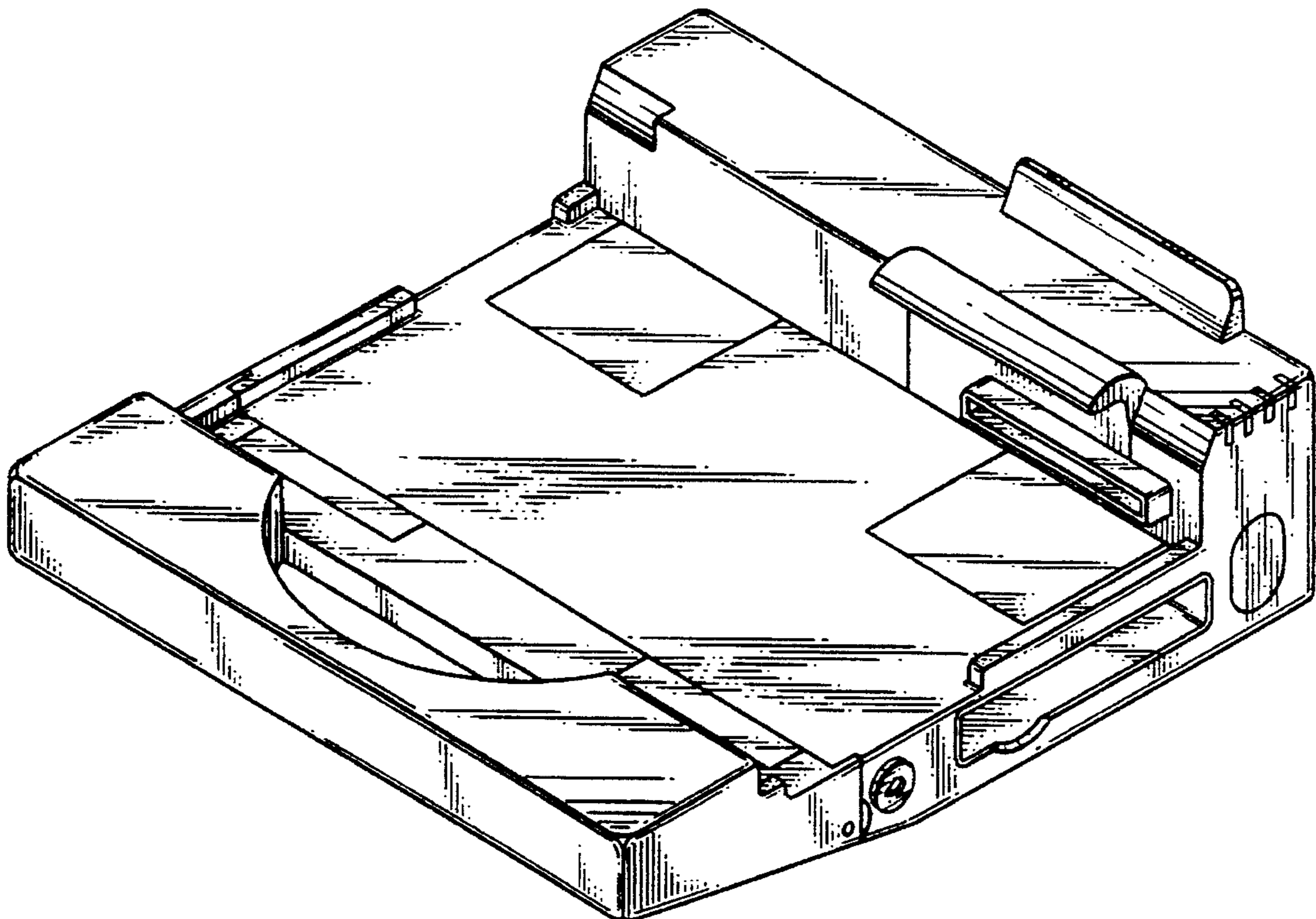
[57] **CLAIM**

The ornamental design for a docking station for portable personal computer, as shown and described.

DESCRIPTION

FIG. 1 is a perspective view of the docking station for portable personal computer of the present invention; FIG. 2 is a top view of the docking station for portable personal computer in an open position of the present invention; FIG. 3 is a front view of the docking station for portable personal computer of the present invention; FIG. 4 is a right side view of the docking station for portable personal computer of the present invention; FIG. 5 is a rear view of the docking station for portable personal computer of the present invention; FIG. 6 is a left side view of the docking station for portable personal computer of the present invention; and, FIG. 7 is a bottom view of the docking station for portable personal computer of the present invention.

1 Claim, 4 Drawing Sheets



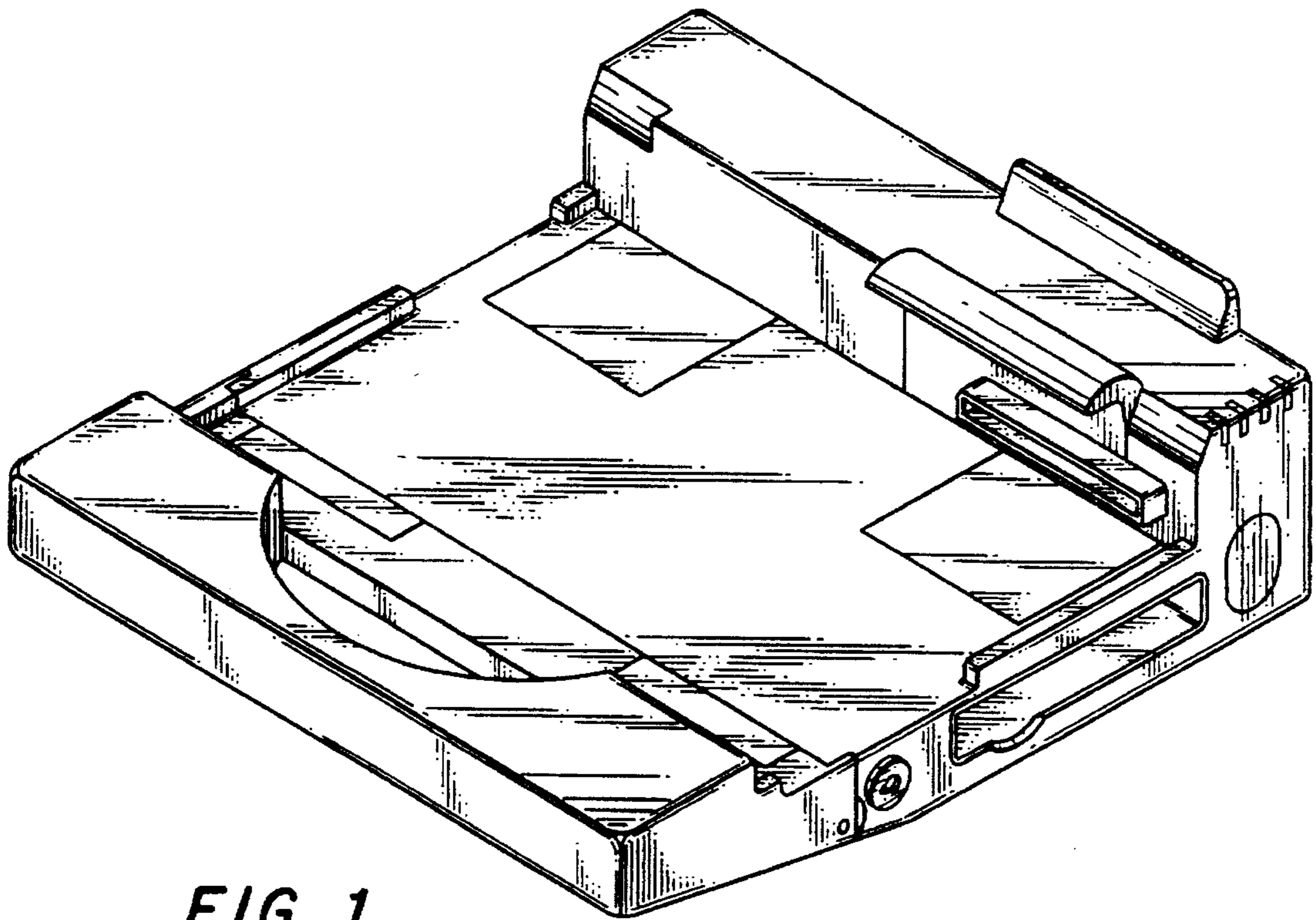


FIG. 1

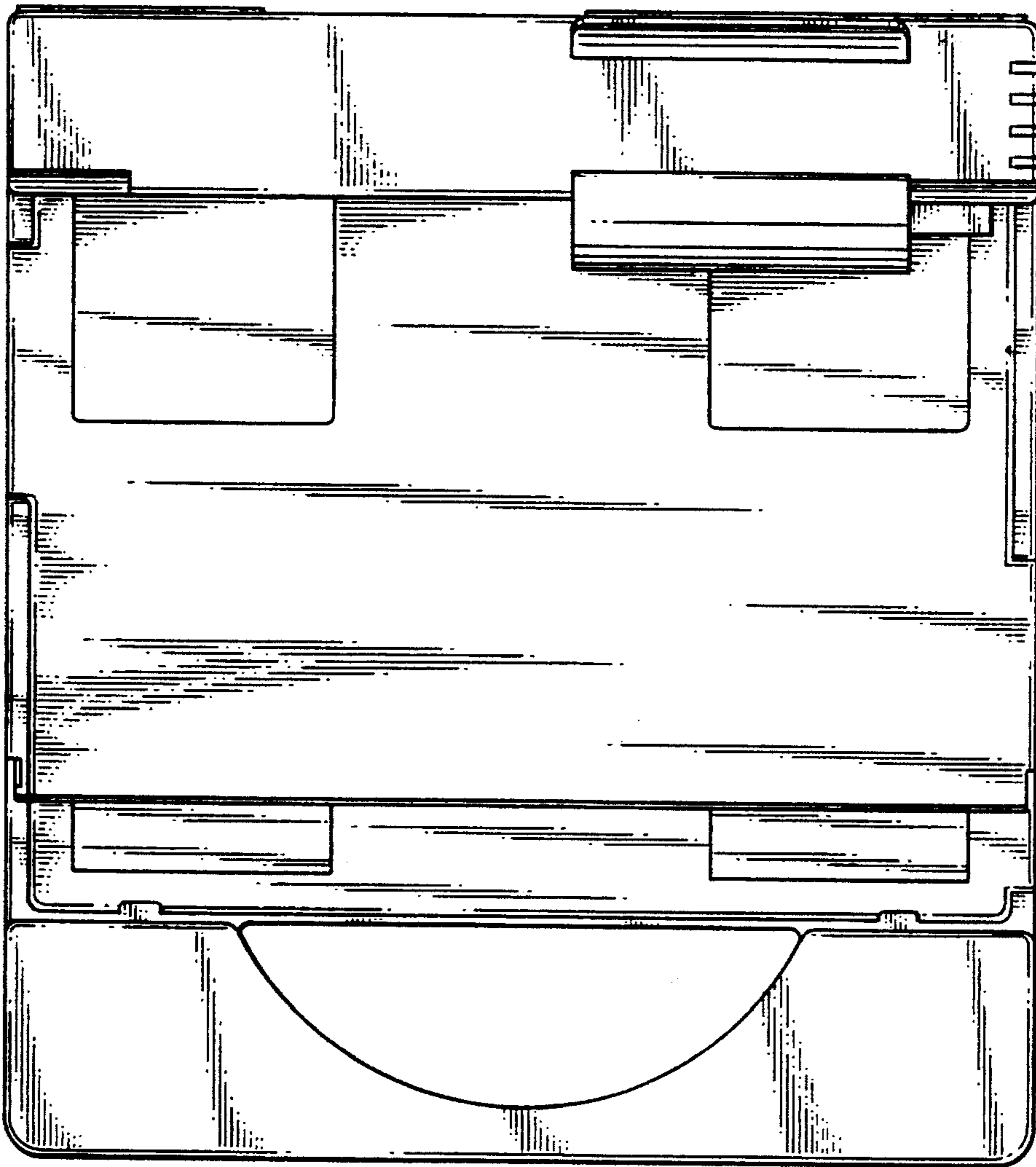


FIG. 2

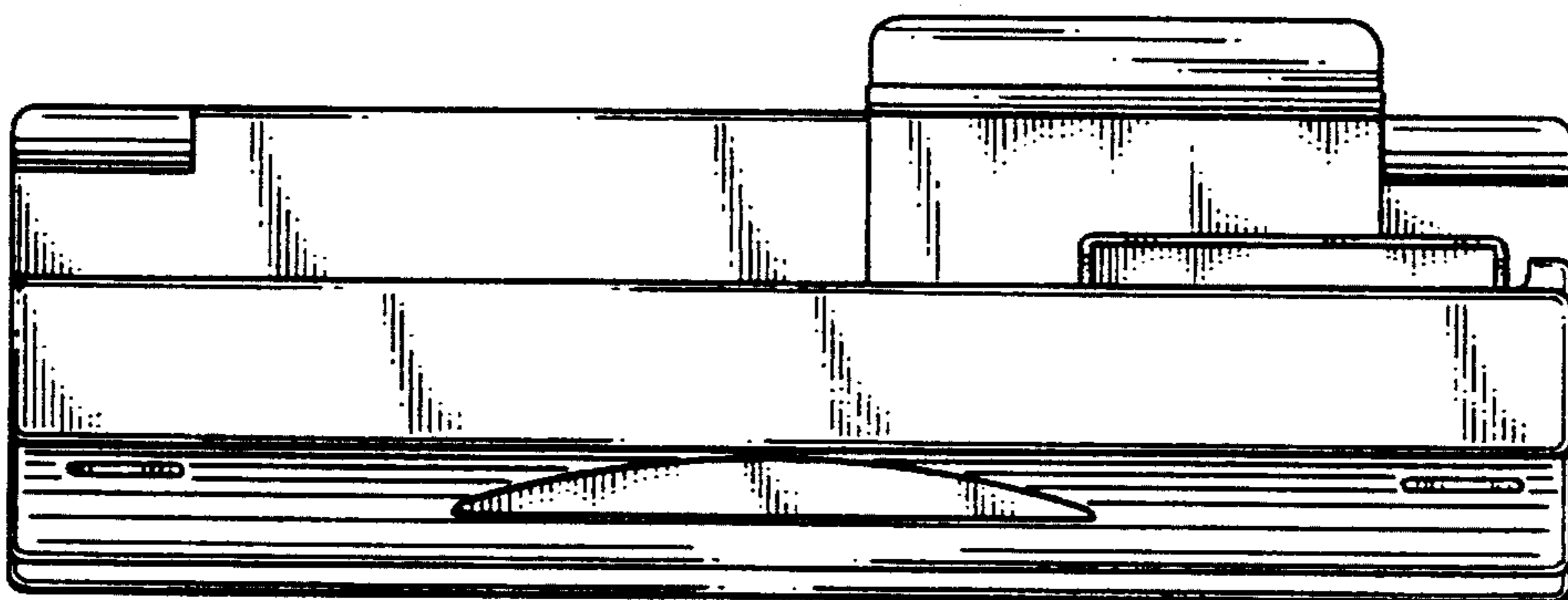


FIG. 3

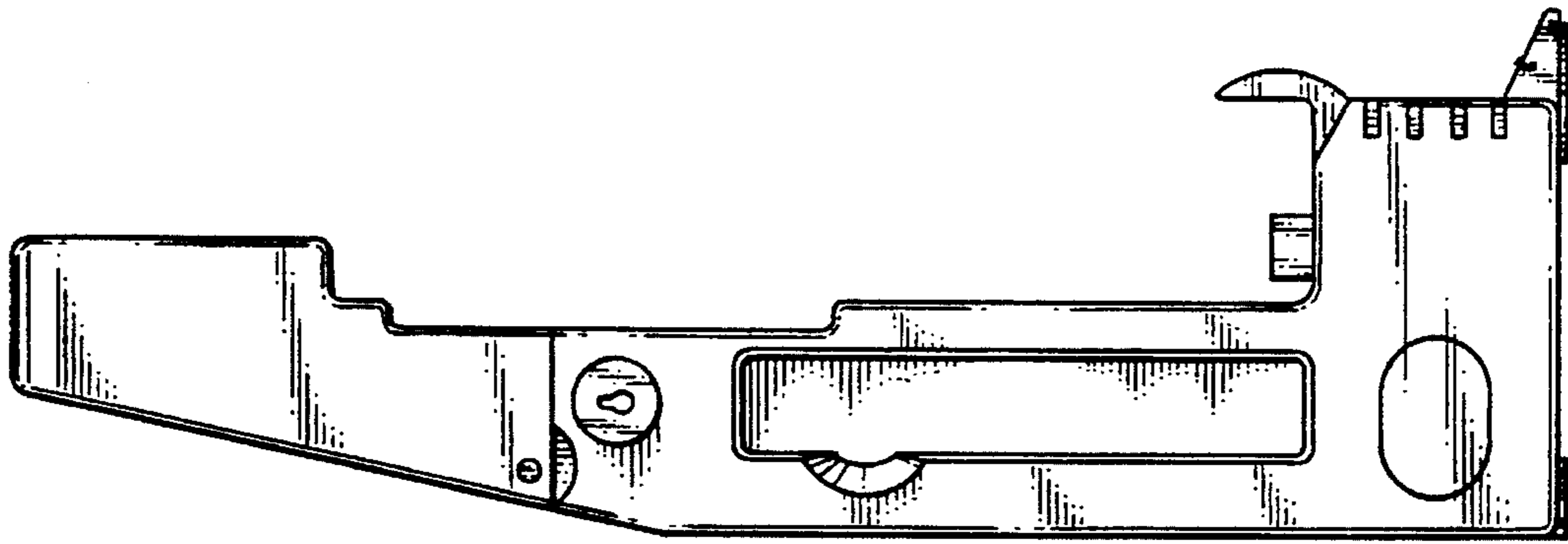


FIG. 4

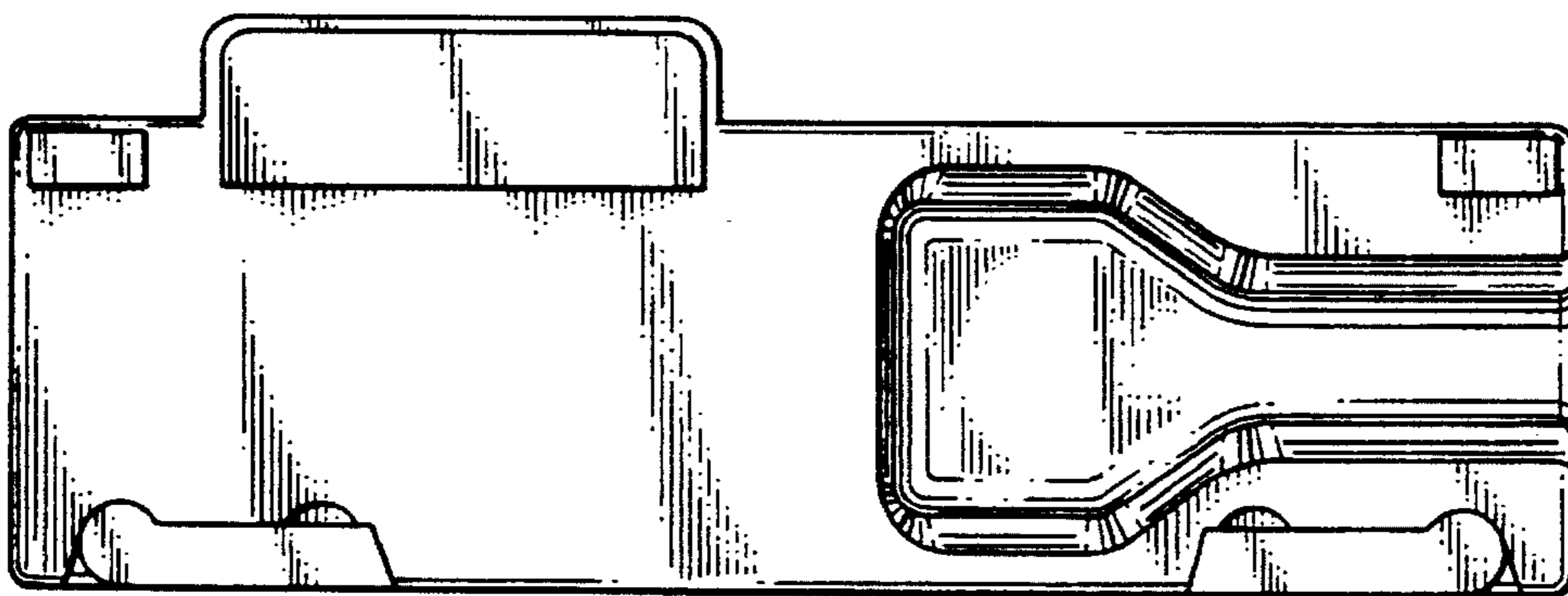


FIG. 5

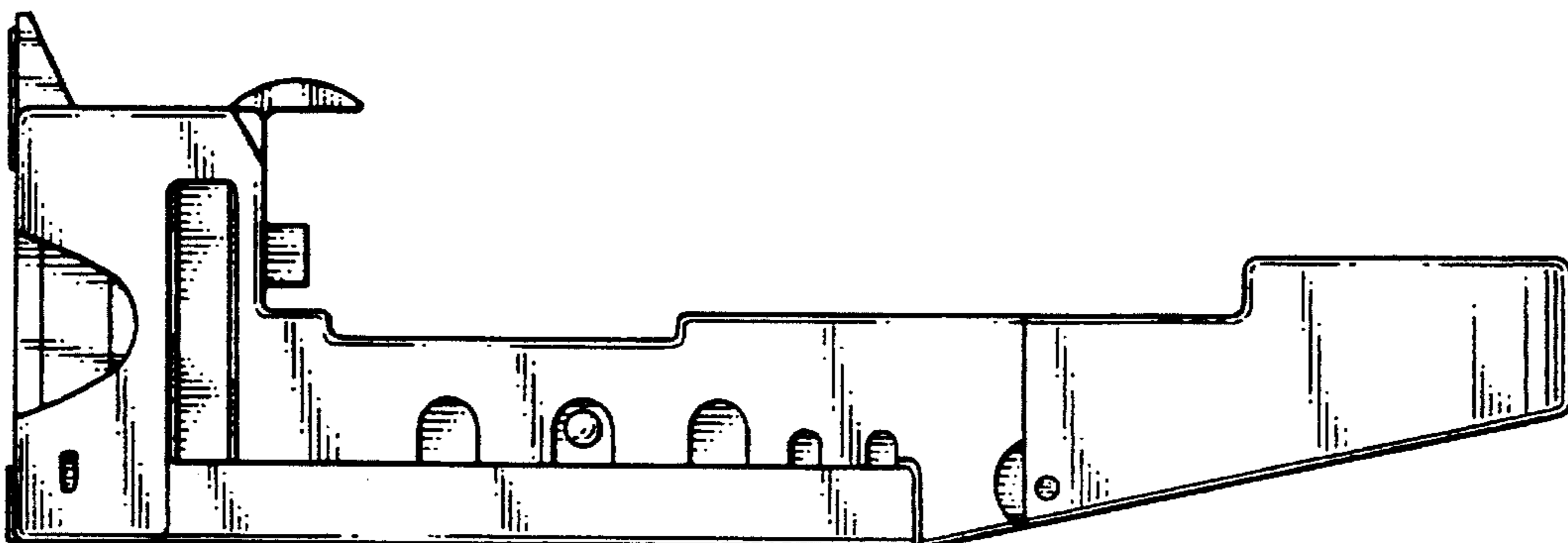


FIG. 6

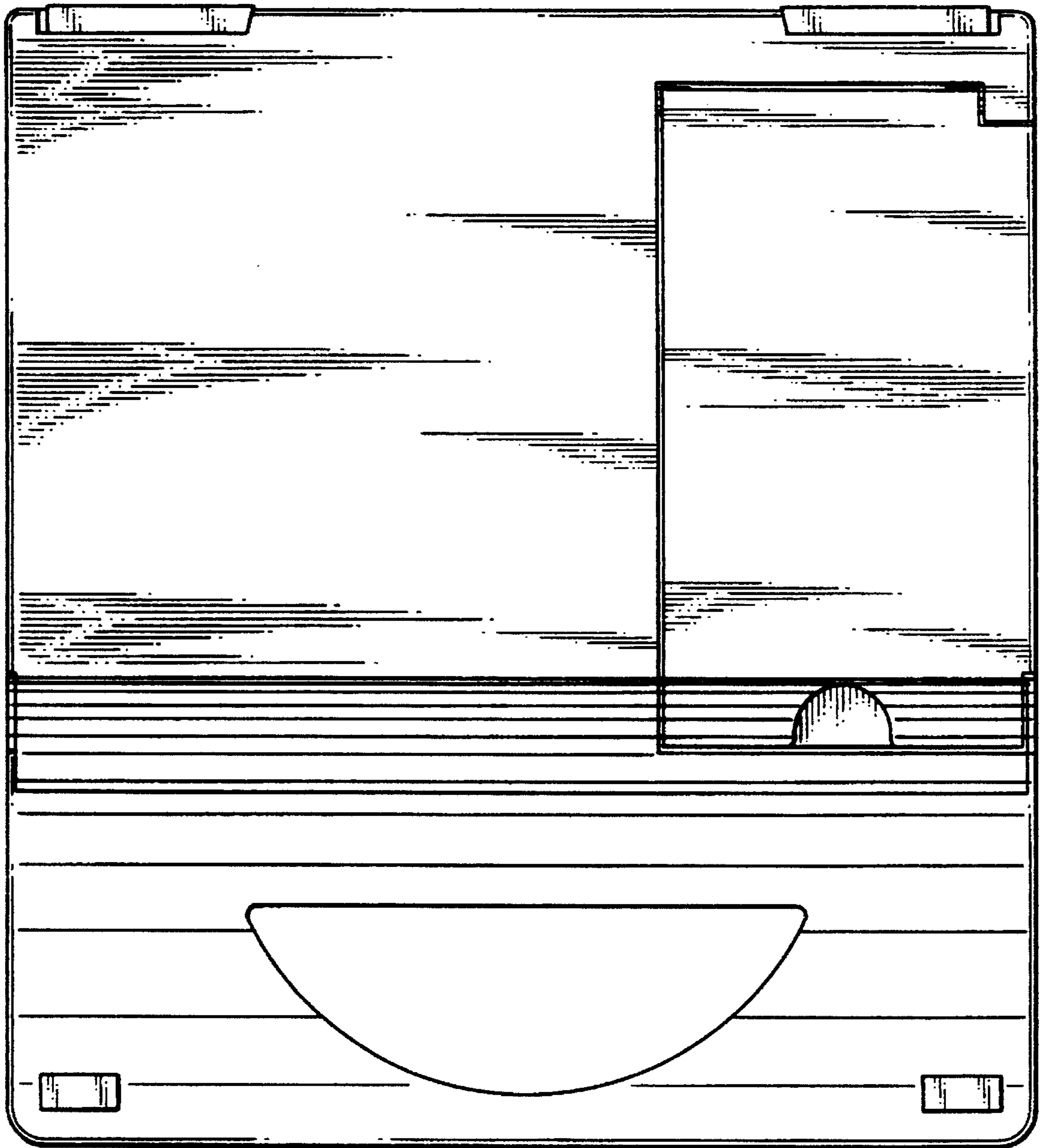


FIG. 7