



US00D369787S

United States Patent [19]
Muenkel

[11] **Patent Number: Des. 369,787**

[45] **Date of Patent: **May 14, 1996**

[54] **ELECTRONIC DATA PROCESSING
EQUIPMENT CABINET**

D. 306,240 2/1990 Newhouse D6/448
D. 328,286 7/1992 Johnson et al. D14/102
D. 341,827 11/1993 Lai et al. D14/100 X

[75] Inventor: **Gerard F. Muenkel**, Highland, N.Y.

Primary Examiner—Freda Nunn
Attorney, Agent, or Firm—Lawrence D. Cutter

[73] Assignee: **International Business machines
Corporation**, Armonk, N.Y.

[57] **CLAIM**

[**] Term: **14 Years**

The ornamental design for an electronic data processing equipment cabinet, as shown.

[21] Appl. No.: **41,805**

DESCRIPTION

[22] Filed: **Jul. 25, 1995**

[52] U.S. Cl. **D14/102**

FIG. 1 is a top front and side perspective view of the electronic data processing equipment cabinet showing my new design;

[58] **Field of Search** D14/100, 102,
D14/107-109; D13/162, 184, 199; D6/432,
436, 445, 448; 312/208.1; 360/99.12; 361/694

FIG. 2 is a front elevational view;

FIG. 3 is a rear elevational view;

FIG. 4 is a top plan view;

FIG. 5 is a left side view; and,

FIG. 6 is a right side view.

[56] **References Cited**

U.S. PATENT DOCUMENTS

D. 249,430 9/1978 Chervenak D6/432
D. 299,391 1/1989 Meehan D6/448 X

1 Claim, 4 Drawing Sheets

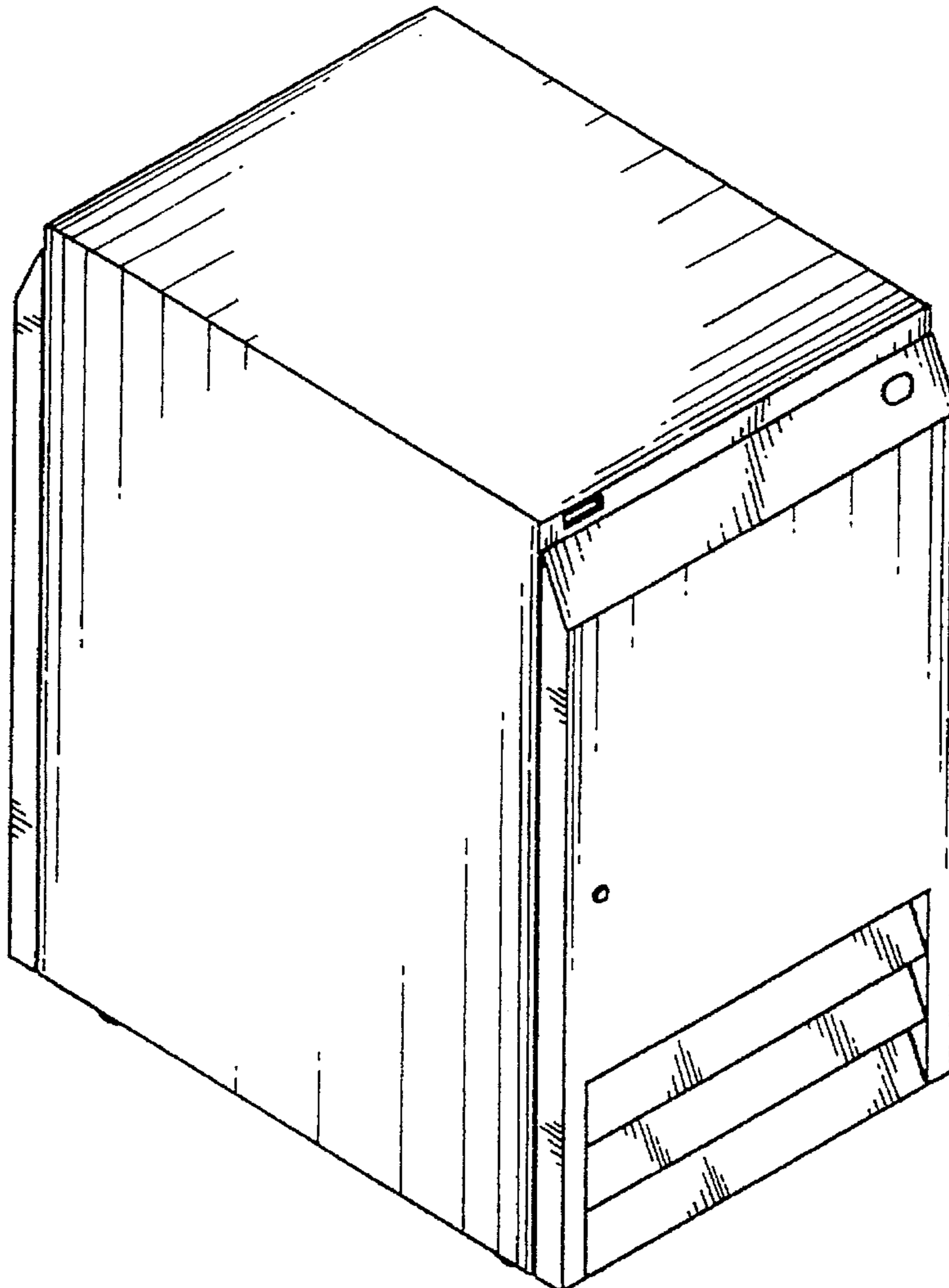


FIG. 1

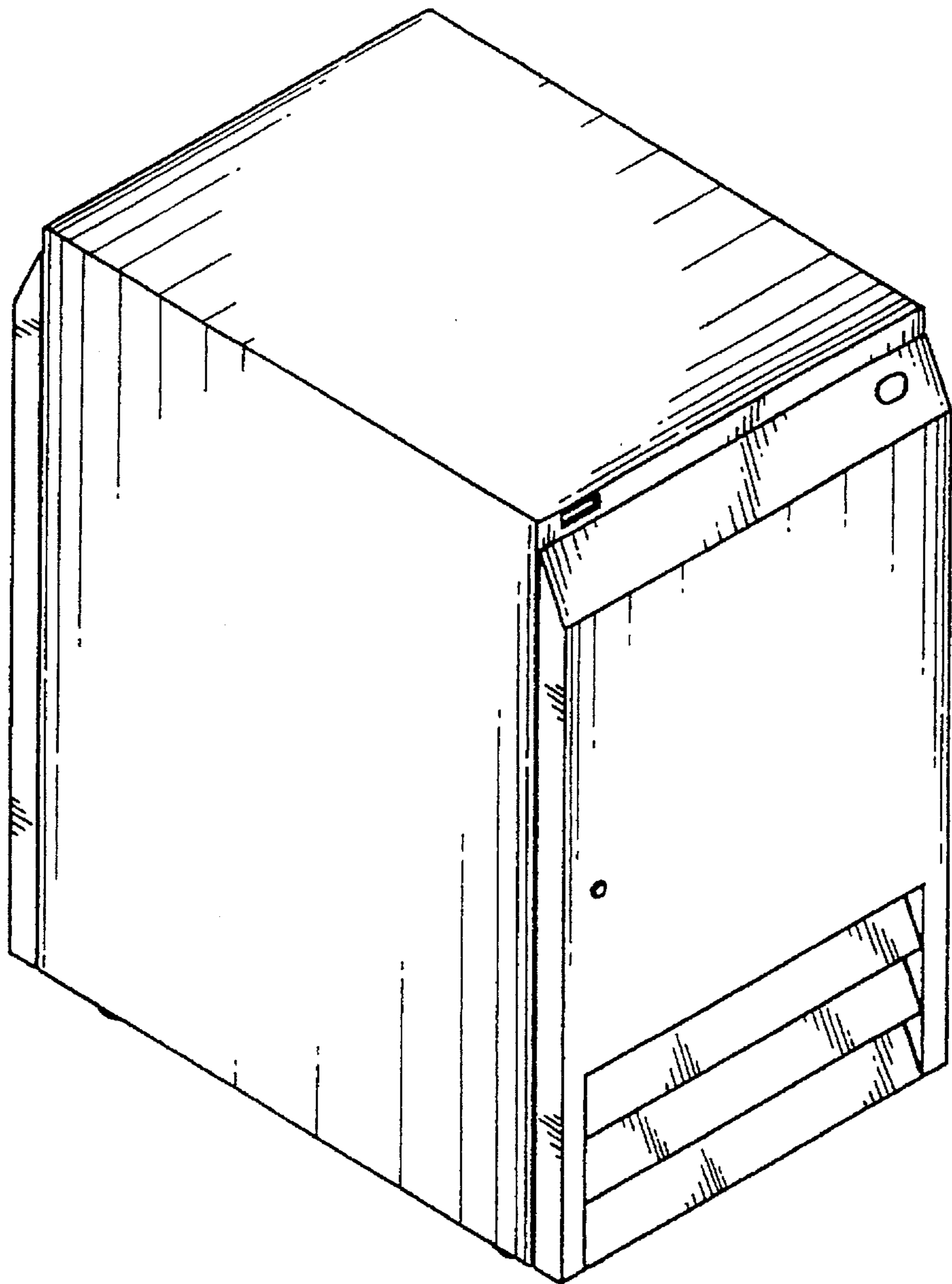


FIG. 2

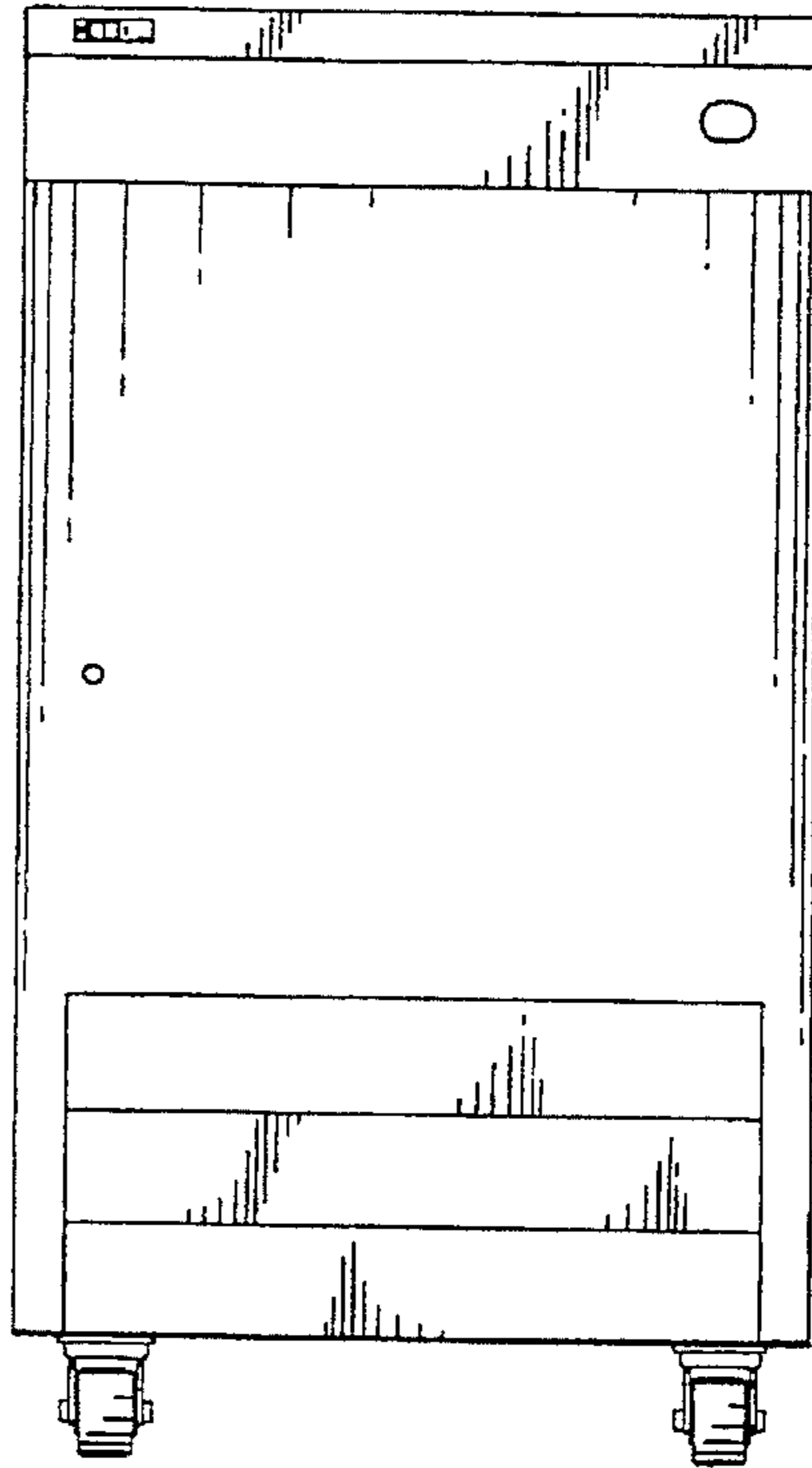


FIG. 3

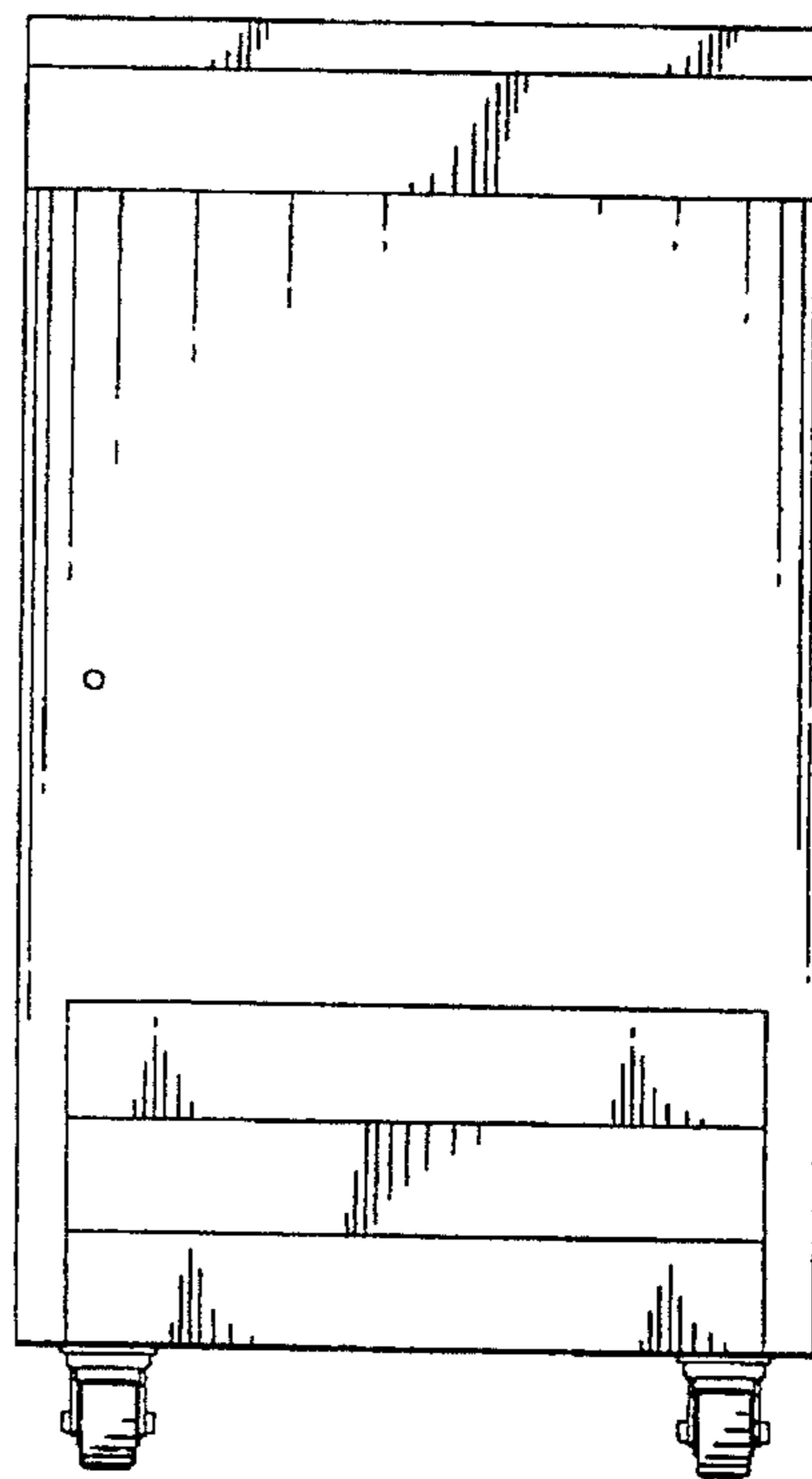


FIG. 4

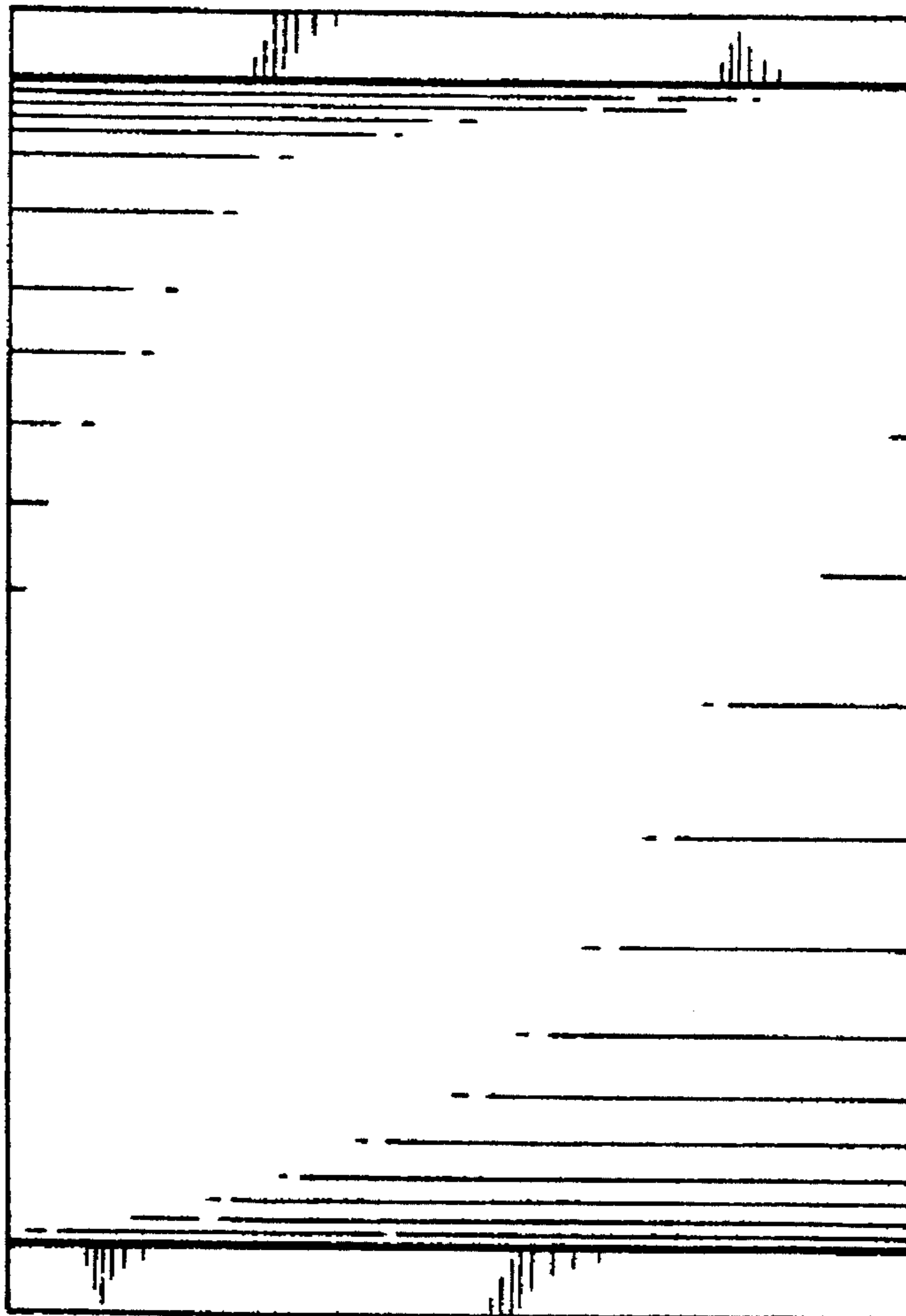


FIG. 5

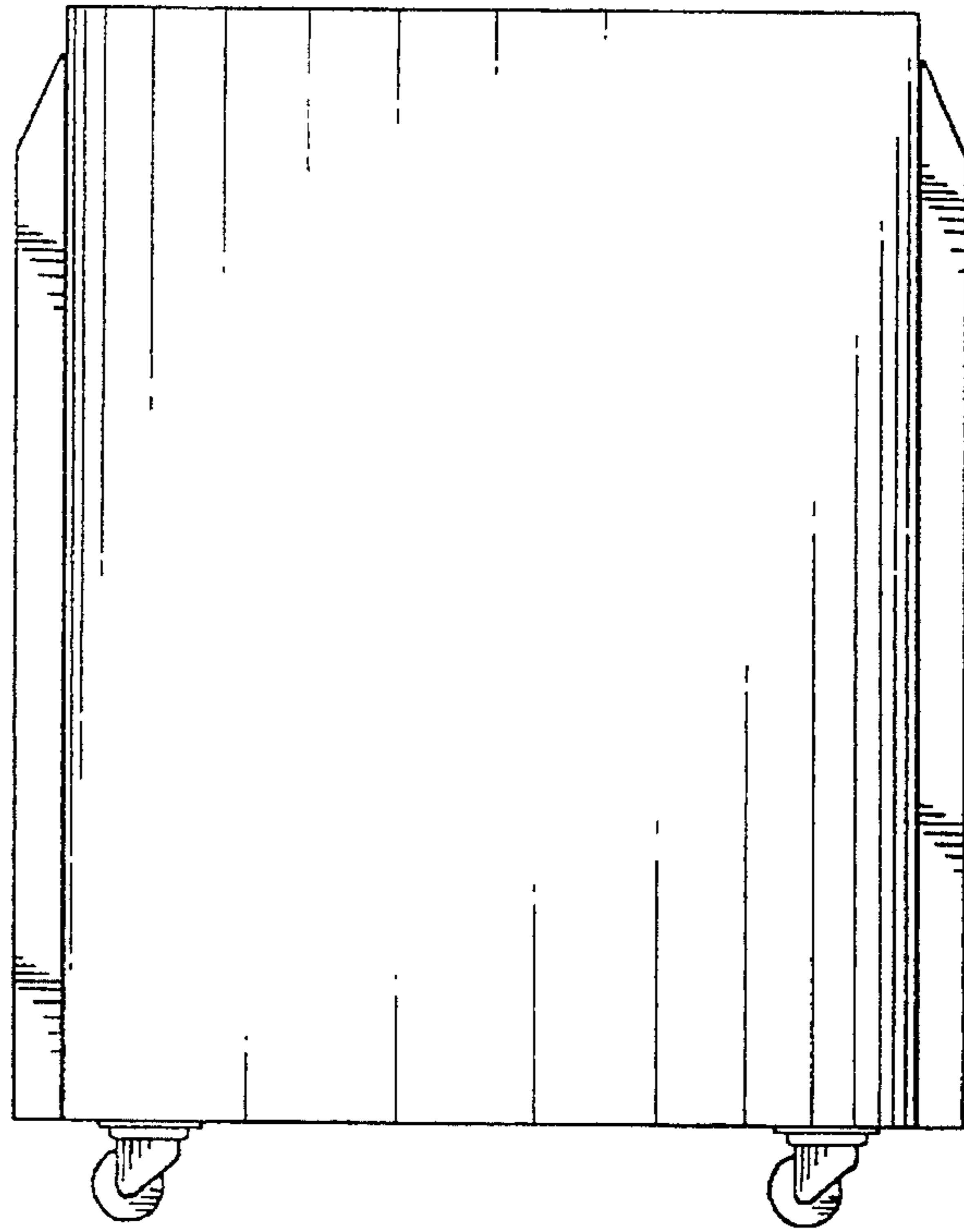


FIG. 6

