



US00D369783S

# United States Patent [19]

Endo et al.

[11] Patent Number: **Des. 369,783**

[45] Date of Patent: **\*\*May 14, 1996**

[54] **CONNECTOR SHELL FOR ELECTRIC SUPPLIER FOR ELECTRIC CAR**

|            |         |             |       |           |
|------------|---------|-------------|-------|-----------|
| D. 312,812 | 12/1990 | Campbell    | ..... | D13/120   |
| 5,350,312  | 9/1994  | Kuno et al. | ..... | 439/352 X |
| 5,385,480  | 1/1995  | Hoffman     | ..... | 439/310   |

[75] Inventors: **Takayoshi Endo; Toshiaki Hasegawa,**  
both of Shizuoka, Japan

*Primary Examiner*—Joel Sincavage  
*Attorney, Agent, or Firm*—Saidman Design Law Group

[73] Assignee: **Yazaki Corporation,** Japan

[\*\*] Term: **14 Years**

[57] **CLAIM**

[21] Appl. No.: **31,261**

The ornamental design for a connector shell for electric supplier for electric car, as shown and described.

[22] Filed: **Nov. 22, 1994**

**DESCRIPTION**

[30] **Foreign Application Priority Data**

FIG. 1 is a perspective view of a connector shell for electric supplier for electric car showing our new design;

Jul. 19, 1994 [JP] Japan ..... 6-21409 U

FIG. 2 is a front elevational view thereof, the rear view being a mirror image;

[52] U.S. Cl. .... **D13/154;** D13/146

[58] Field of Search ..... D13/120, 133,  
D13/146, 154; 320/2; 439/34, 266, 310,  
352, 372

FIG. 3 is a top view thereof;

FIG. 4 is a bottom view thereof;

FIG. 5 is a left side view thereof; and,

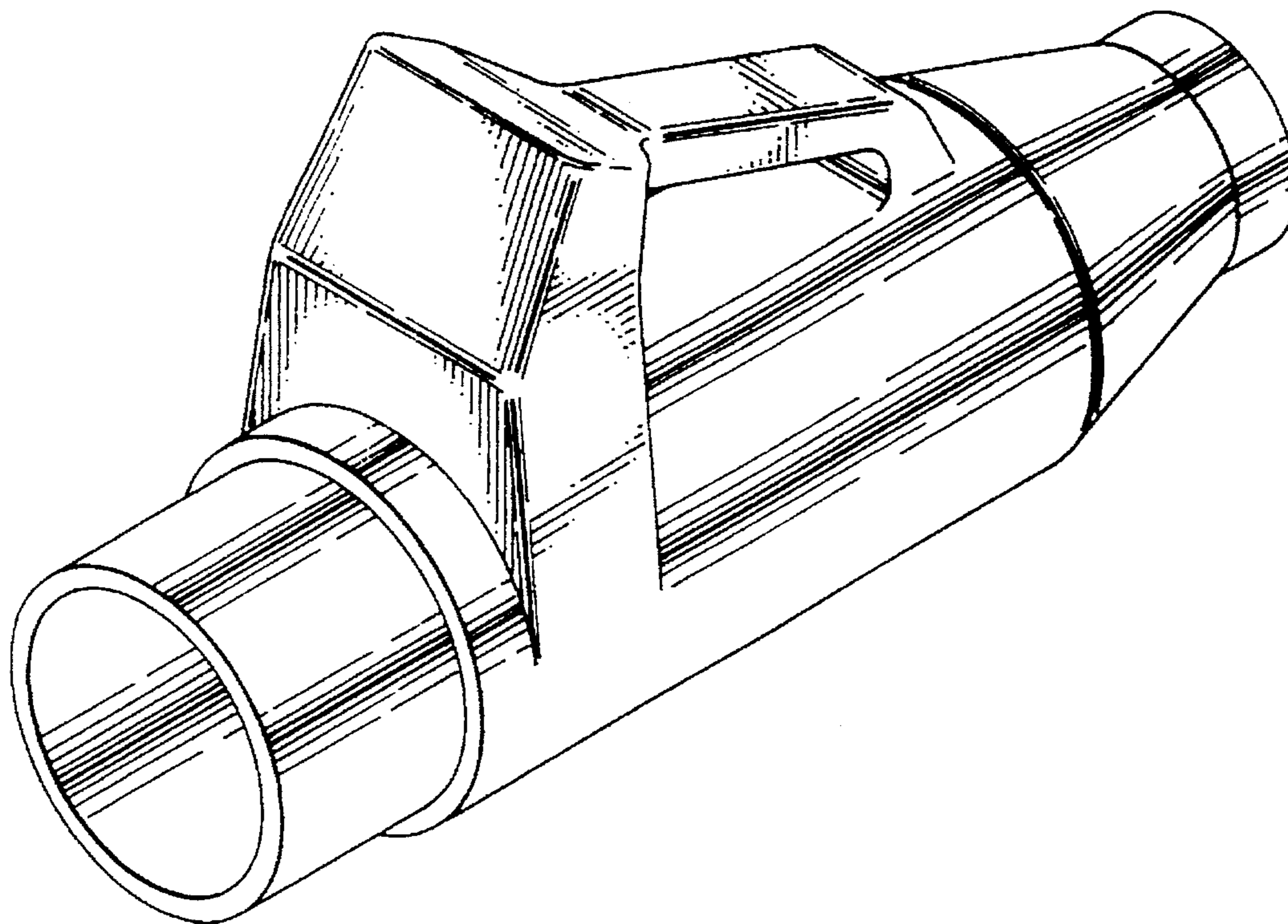
FIG. 6 is a right side view thereof.

[56] **References Cited**

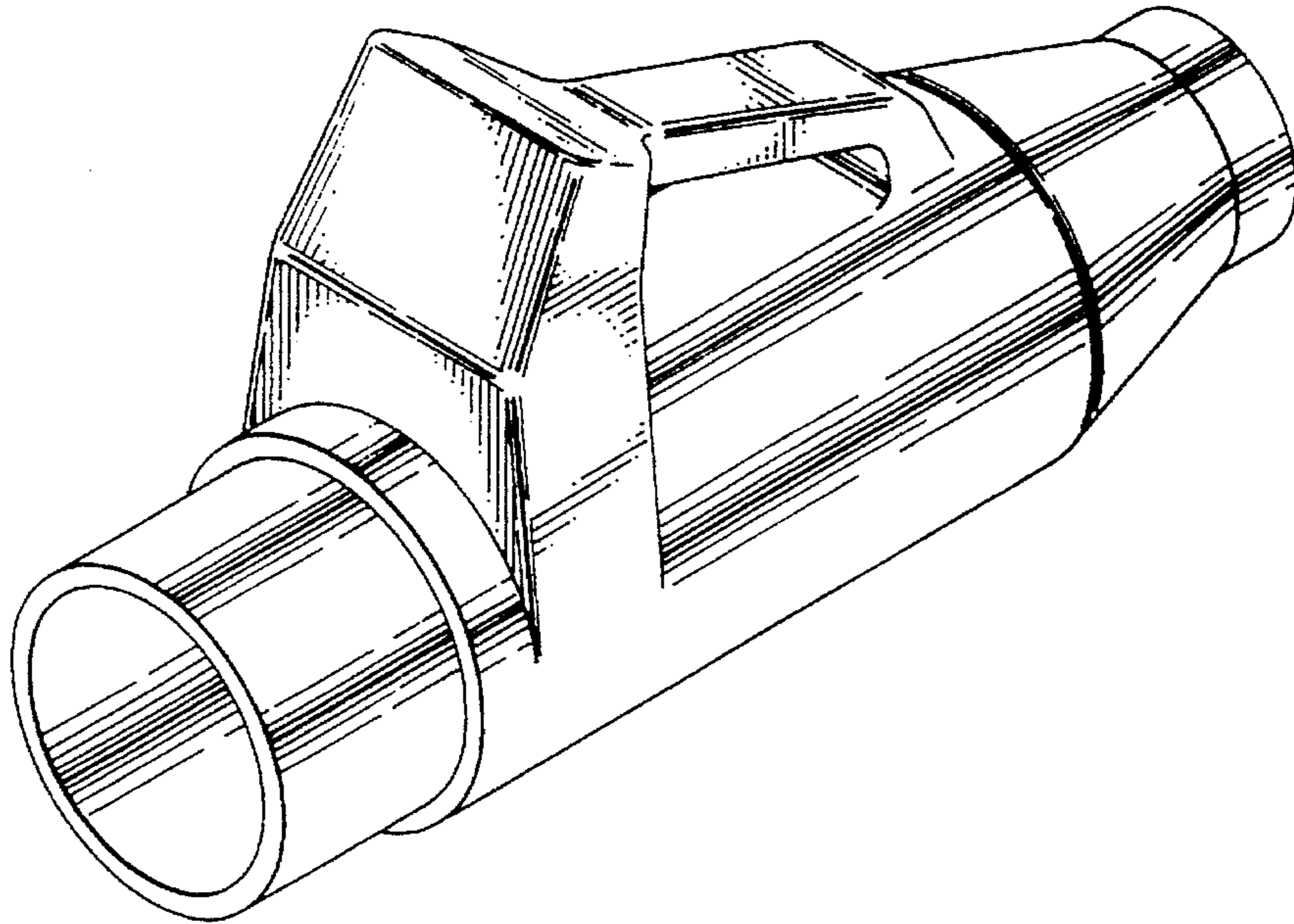
**U.S. PATENT DOCUMENTS**

D. 206,800 1/1967 Goldbaum et al. .... D13/146

**1 Claim, 2 Drawing Sheets**



**FIG. 1**



**FIG. 2**

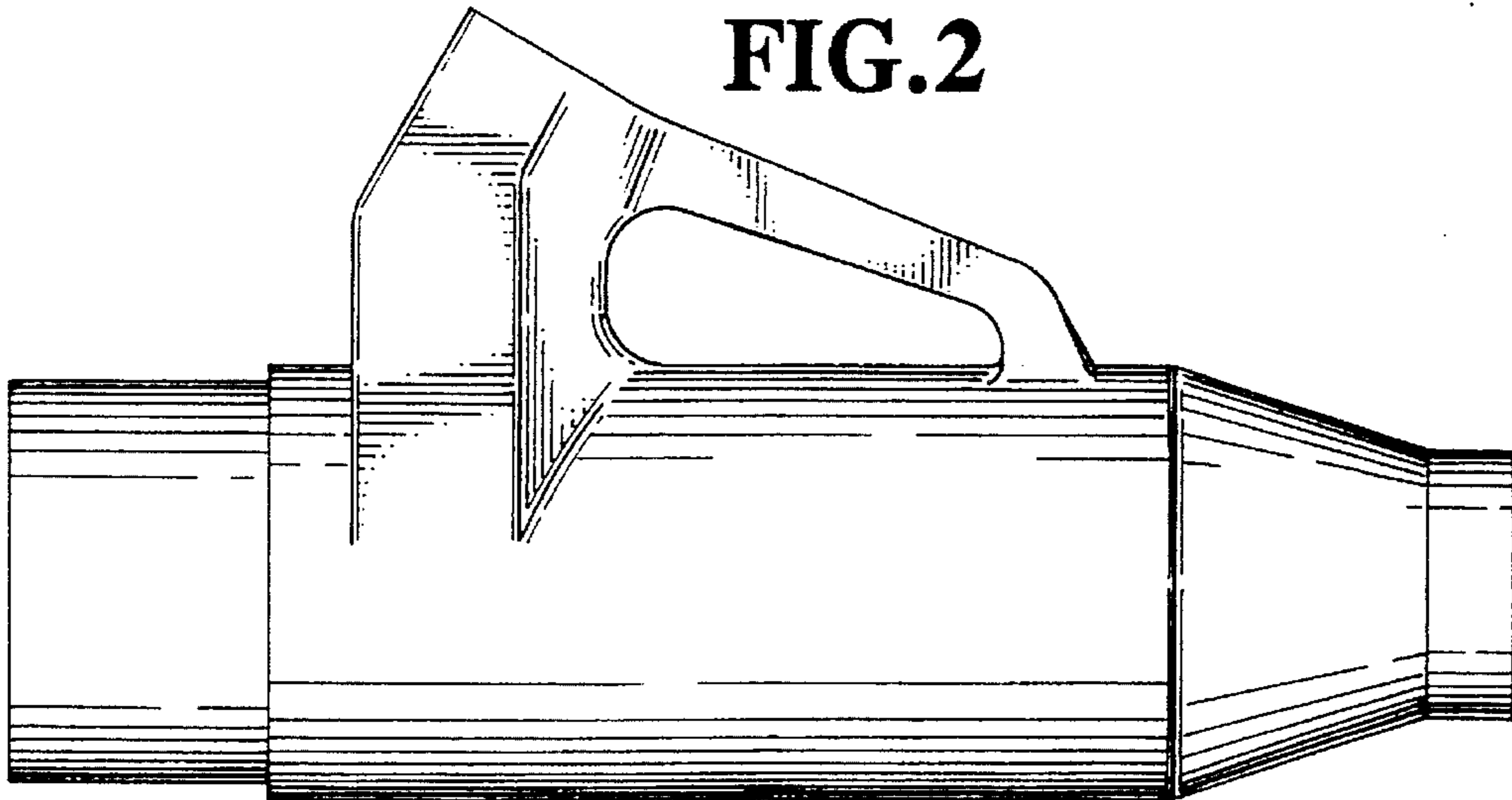


FIG. 3

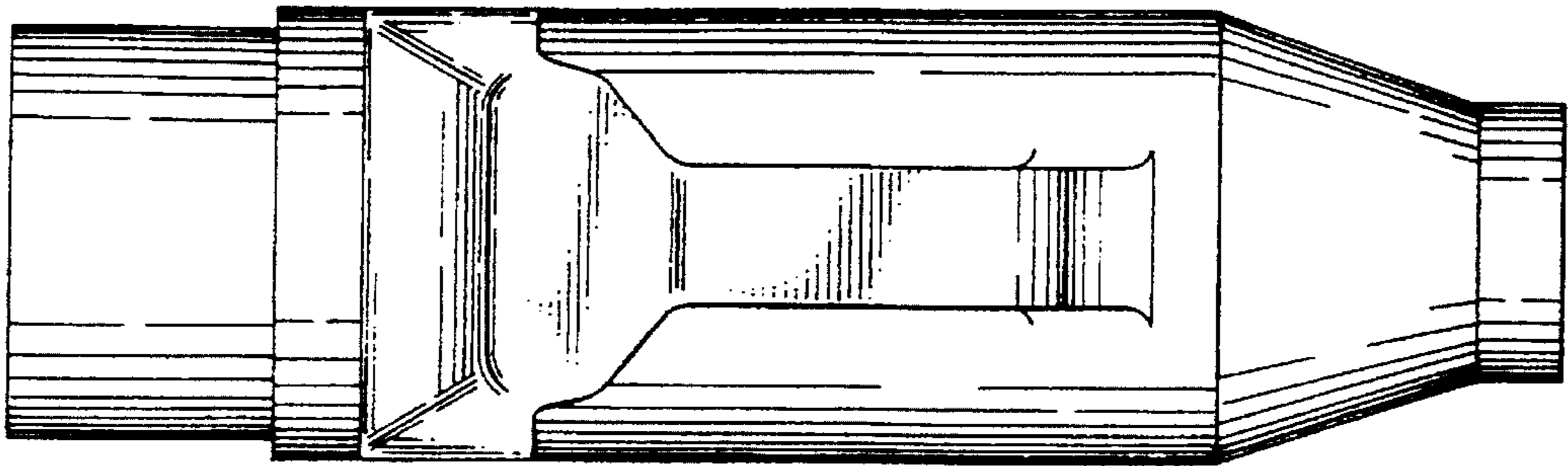


FIG. 4

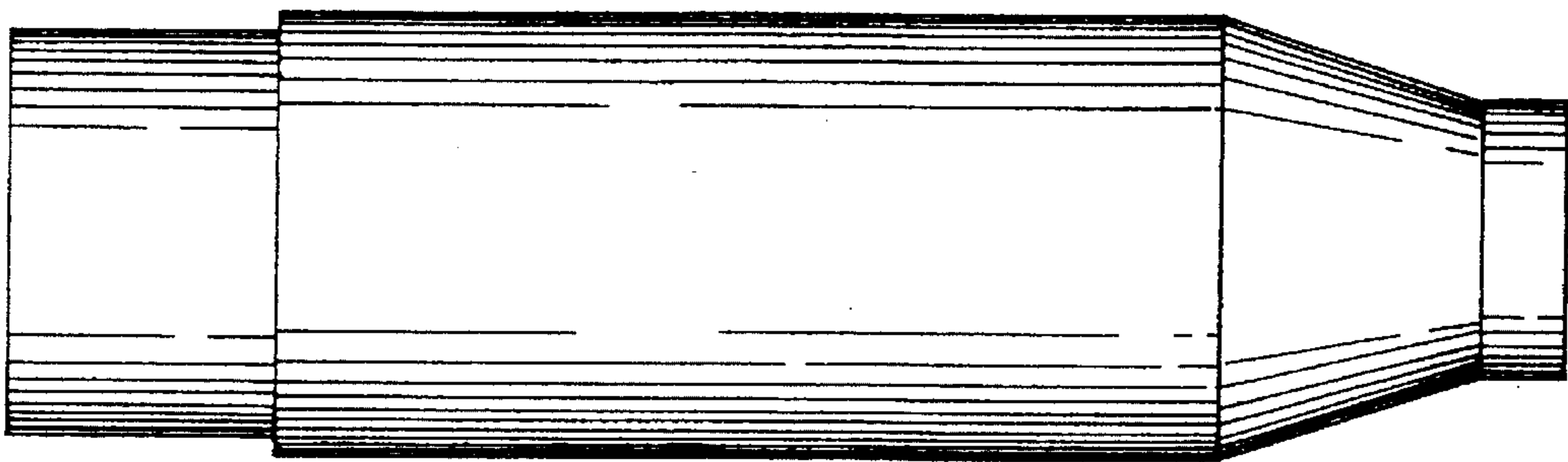


FIG. 5

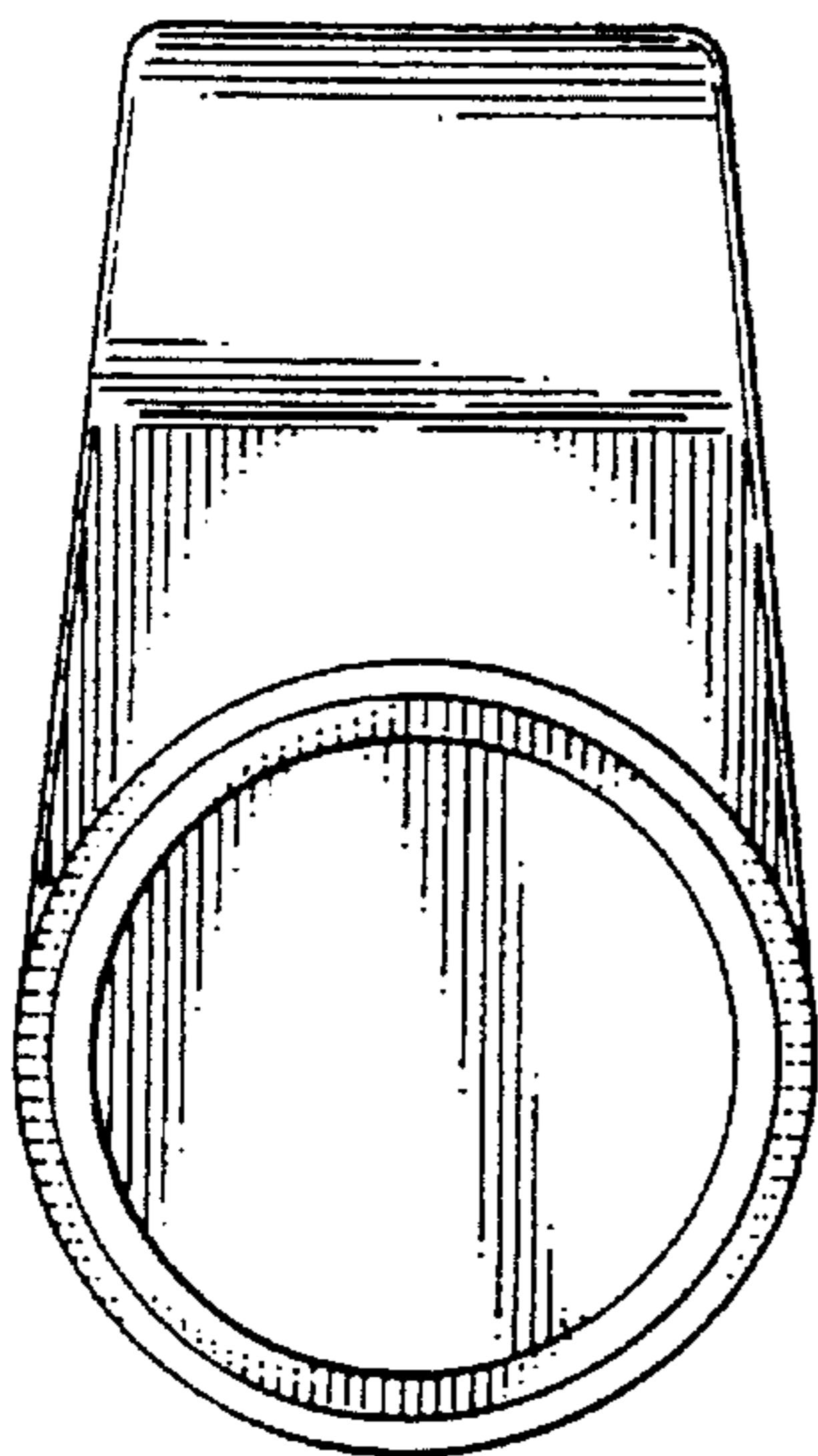


FIG. 6

