



US00D369782S

United States Patent [19]

Hashizawa et al.

[11] Patent Number: **Des. 369,782**

[45] Date of Patent: ****May 14, 1996**

[54] **CONNECTOR SHELL FOR ELECTRIC SUPPLIER FOR ELECTRIC CAR**

5,350,312 9/1994 Kuno et al. 439/352 X
5,385,480 1/1995 Hoffman 439/310

[75] Inventors: **Shigemi Hashizawa; Hirotaka Fukushima; Satoki Masuda**, all of Shizuoka, Japan

Primary Examiner—Joel Sincavage
Attorney, Agent, or Firm—Saidman Design Law Group

[73] Assignee: **Yazaki Corporation**, Japan

[57] **CLAIM**

[**] Term: **14 Years**

The ornamental design for a connector shell for electric supplier for electric car, as shown and described.

[21] Appl. No.: **29,652**

DESCRIPTION

[22] Filed: **Oct. 12, 1994**

FIG. 1 is a perspective view of a connector shell for electric supplier for electric car showing our new design;

[30] **Foreign Application Priority Data**

Apr. 14, 1994 [JP] Japan 6-10203 U

FIG. 2 is a front elevational view thereof;

[52] **U.S. Cl.** **D13/154; D13/146**

FIG. 3 is a rear elevational view thereof;

[58] **Field of Search** D13/120, 133, D13/146, 154; 320/2; 439/34, 266, 310, 352, 372

FIG. 4 is a top view thereof;

FIG. 5 is a bottom view thereof;

[56] **References Cited**

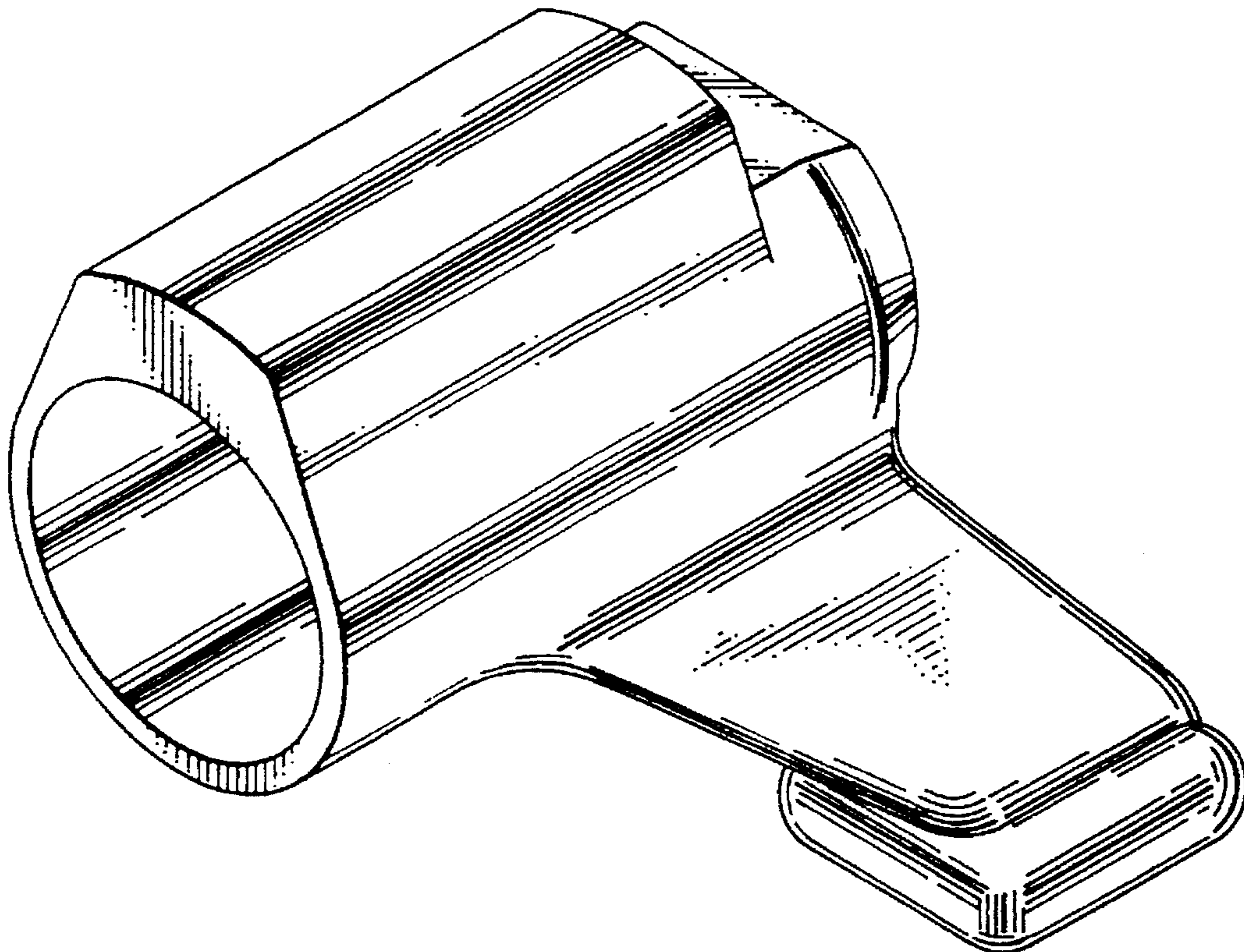
U.S. PATENT DOCUMENTS

D. 206,800 1/1967 Goldbaum et al. D13/146
D. 312,812 12/1990 Campbell D13/120

FIG. 6 is a left side view thereof; and,

FIG. 7 is a right side view thereof.

1 Claim, 3 Drawing Sheets



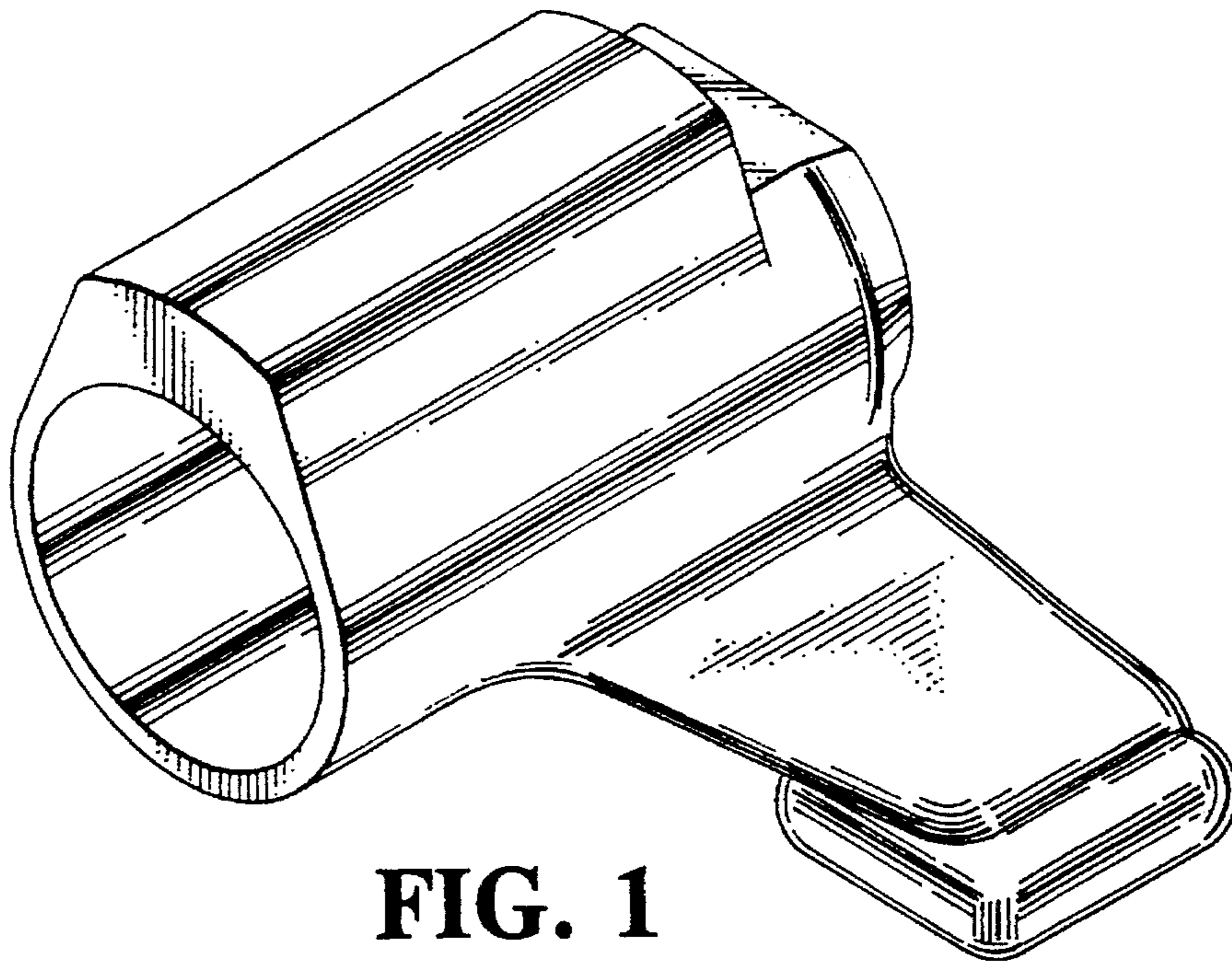


FIG. 1

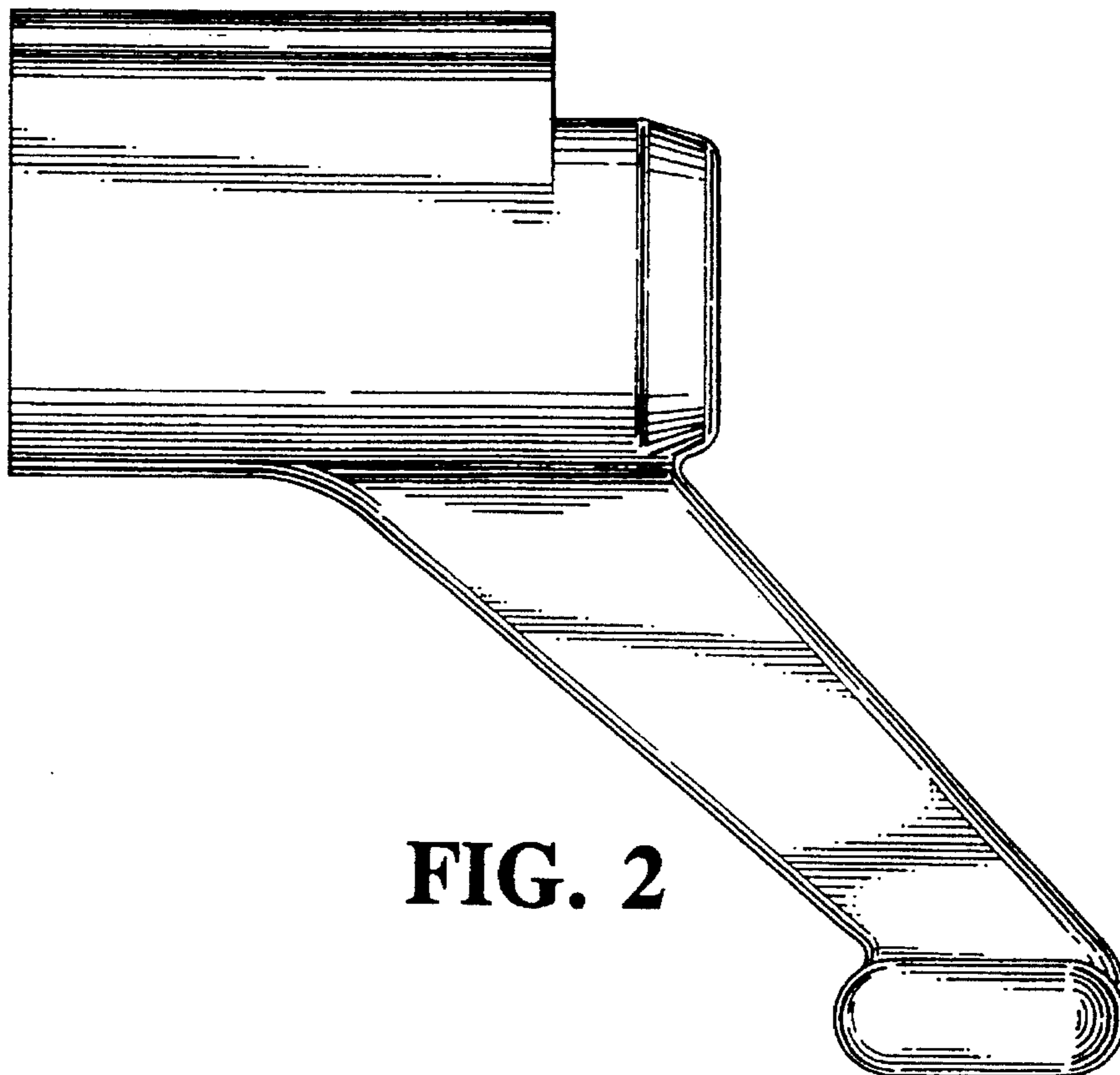


FIG. 2

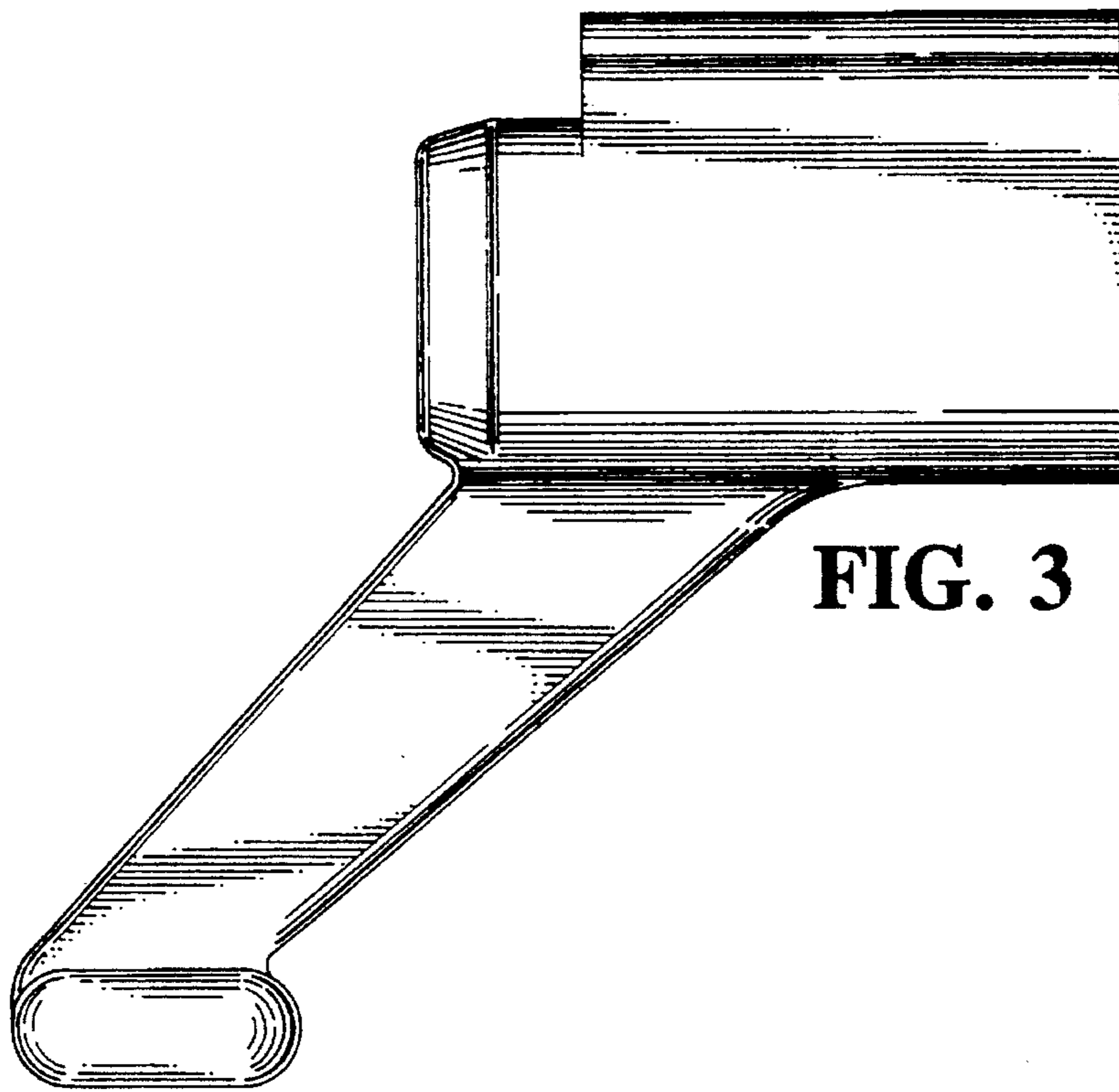


FIG. 3

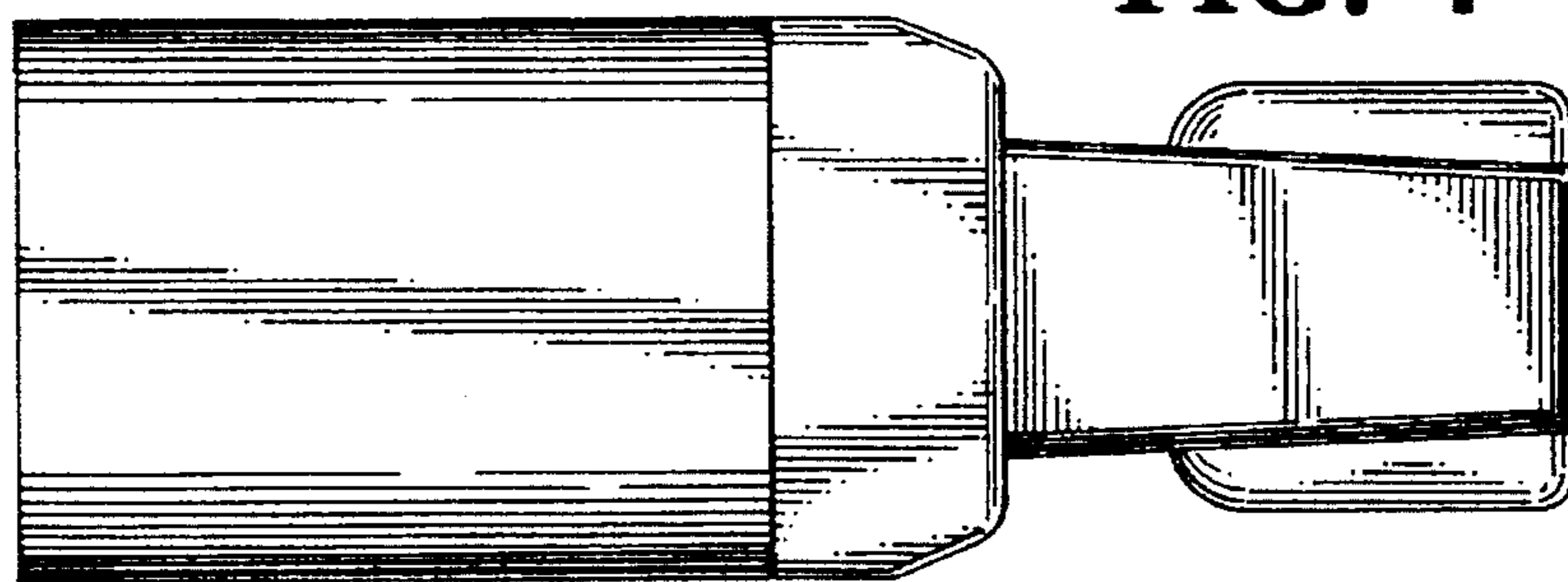


FIG. 4

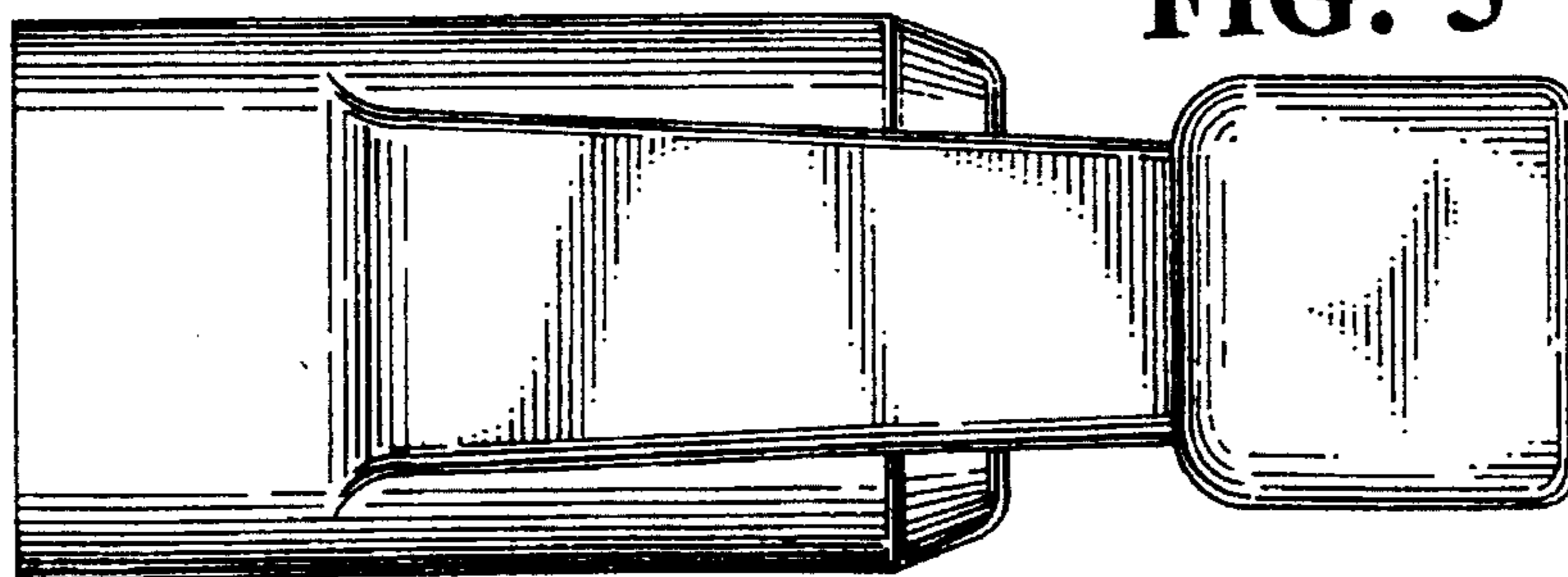


FIG. 5

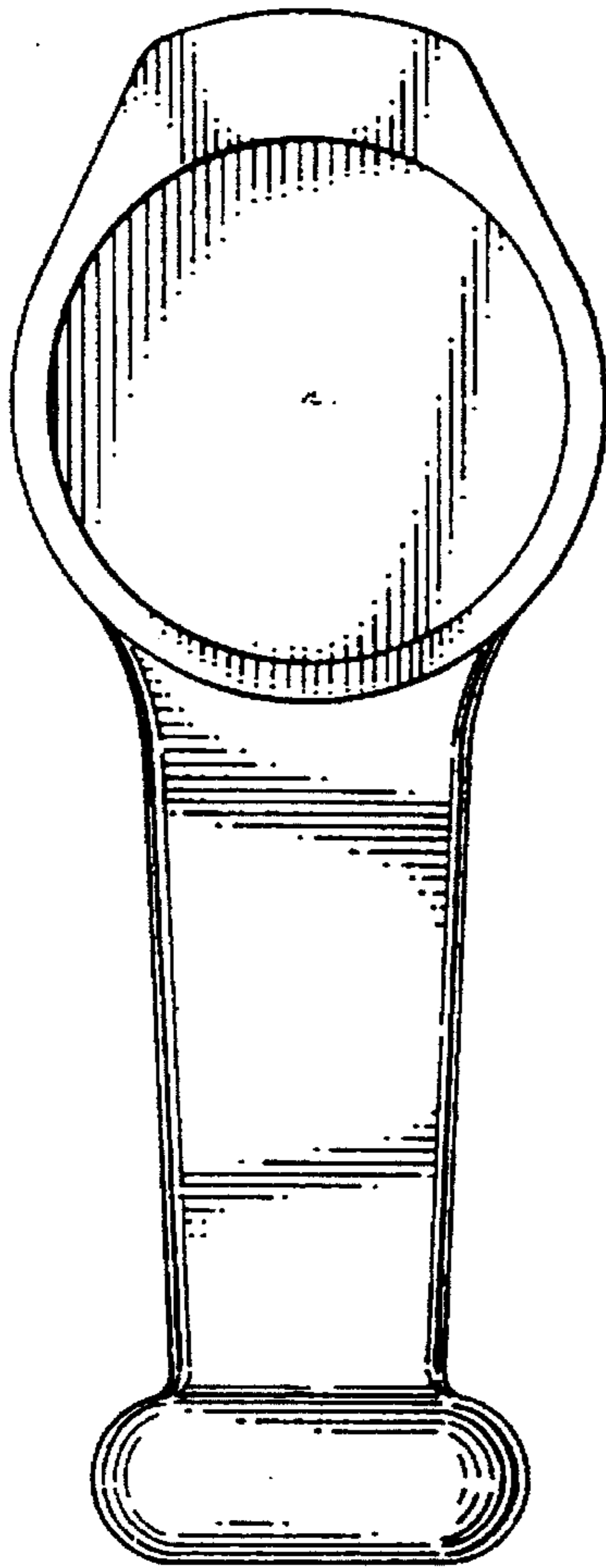


FIG. 6

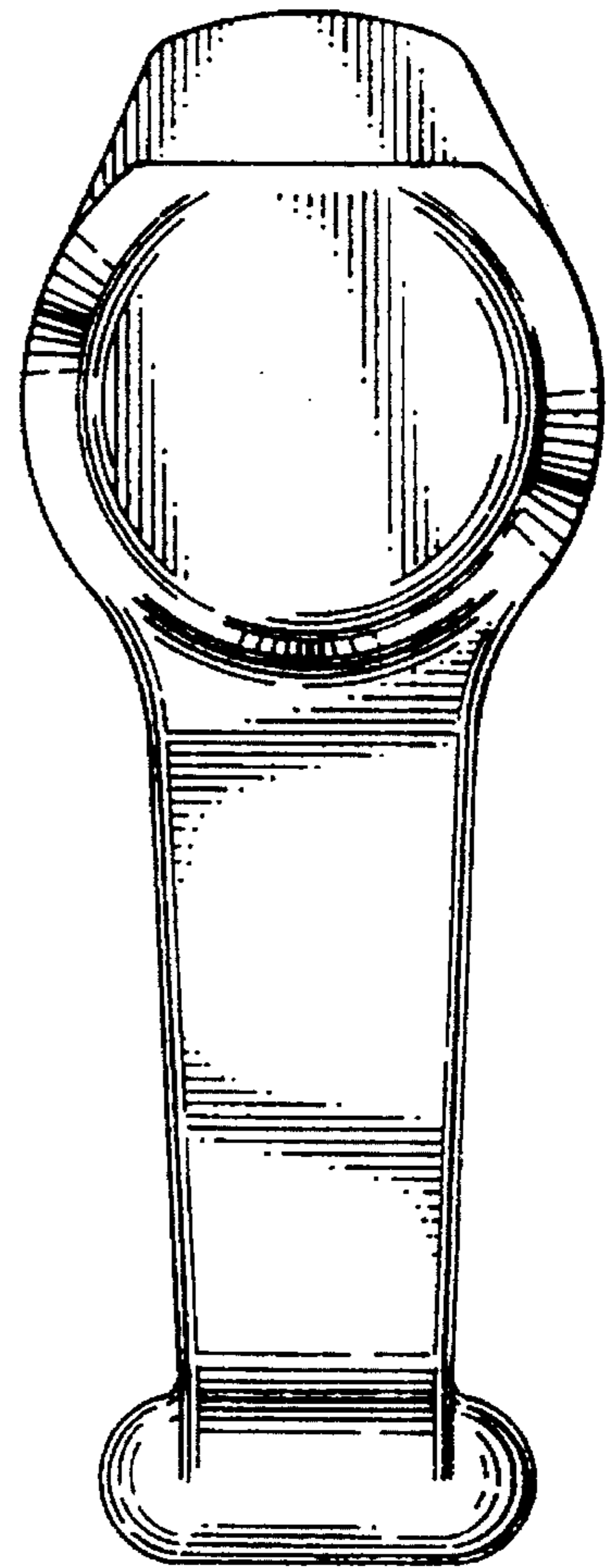


FIG. 7