



US00D369781S

United States Patent [19]
Schadhauser

[11] **Patent Number: Des. 369,781**

[45] **Date of Patent: **May 14, 1996**

[54] **ORNAMENTAL DESIGN FOR A COMBINATION SOCKET AND ACCESSORY CIRCUIT OR BALLAST FOR A FLUORESCENT LAMP**

FOREIGN PATENT DOCUMENTS

86468 3/1989 Japan 439/227
9106991 5/1991 WIPO 439/226

[75] Inventor: **Klaus Schadhauser**, Munich, Germany

Primary Examiner—Joel Sincavage
Attorney, Agent, or Firm—Frishauf, Holtz, Goodman, Langer & Chick

[73] Assignee: **OSRAM GmbH**, Munich, Germany

[**] Term: **14 Years**

[57] **CLAIM**

[21] Appl. No.: **33,287**

The ornamental design for a combination socket and accessory circuit or ballast for a fluorescent lamp, as shown and described.

[22] Filed: **Jan. 9, 1995**

[30] **Foreign Application Priority Data**

DESCRIPTION

Jul. 22, 1994 [DE] Germany 9405805

[52] **U.S. Cl.** **D13/134**

[58] **Field of Search** D13/110, 134;
315/DIG. 5, DIG. 7, 151, 209 R; 439/226,
227, 231

FIG. 1 is a front perspective view of the combination socket and accessory circuit or ballast;

FIG. 2 is a rear-perspective view thereof;

FIG. 3 is a front view thereof;

FIG. 4 is a rear view thereof;

FIG. 5 is a side view thereof, the other side being identical to the view shown in FIG. 5;

FIG. 6 is a top view thereof; and,

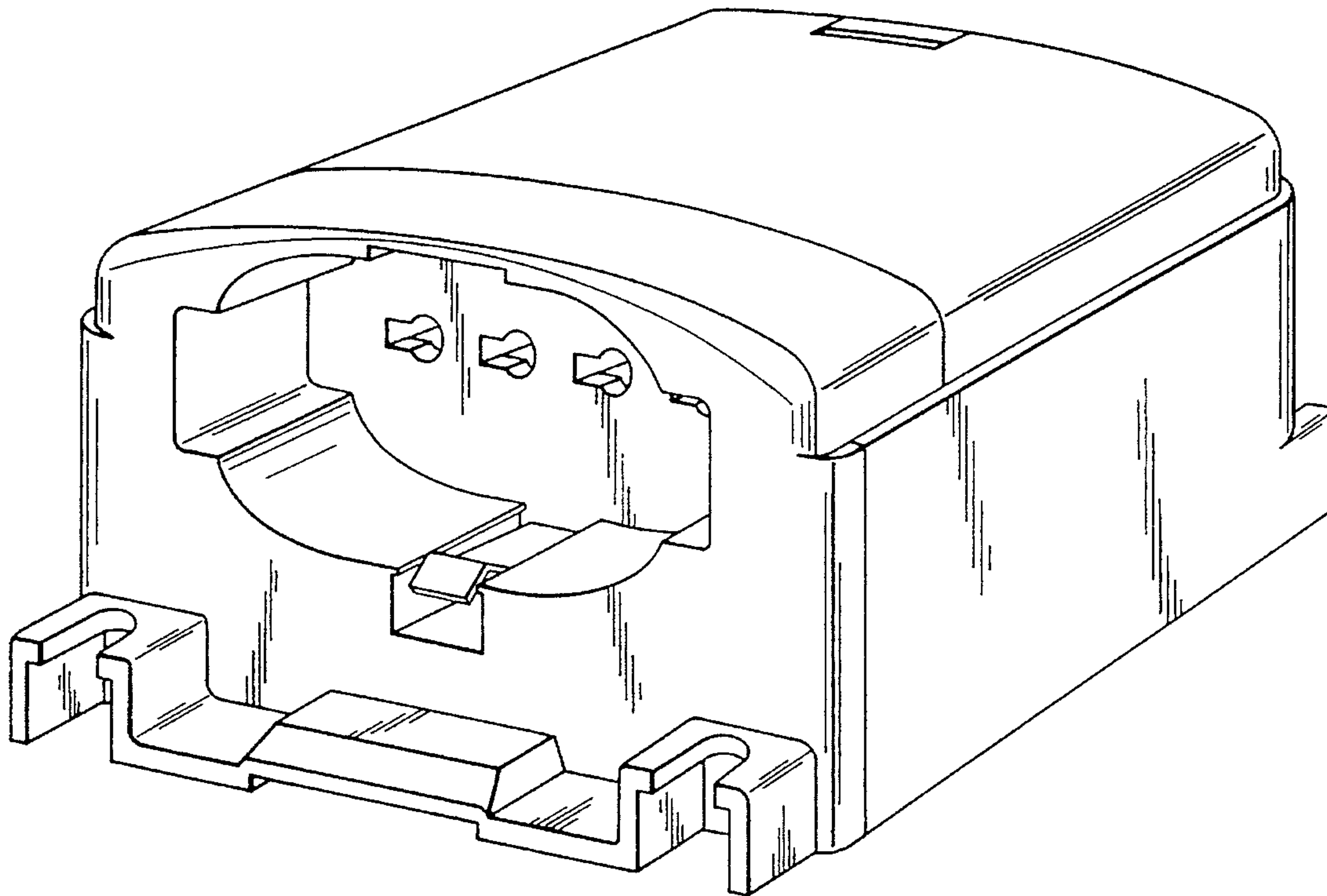
FIG. 7 is a bottom view thereof.

[56] **References Cited**

U.S. PATENT DOCUMENTS

D. 291,019 2/1988 Futatsugi et al. D13/134
D. 313,005 12/1990 Zimmerman D13/134
4,643,503 2/1987 Johnson et al. 439/227
4,874,989 10/1989 Nilssen 315/151

1 Claim, 6 Drawing Sheets



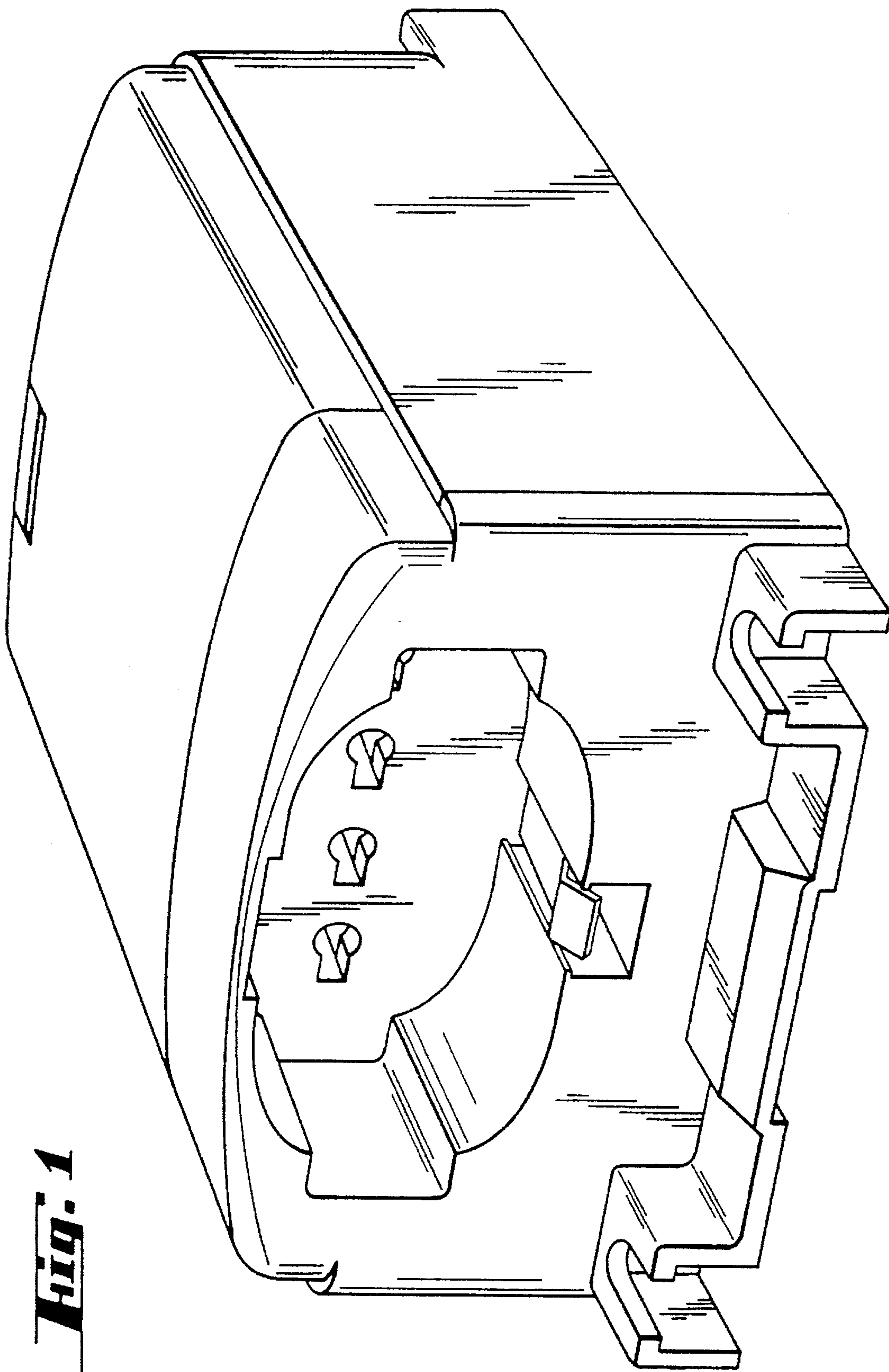


Fig. 1

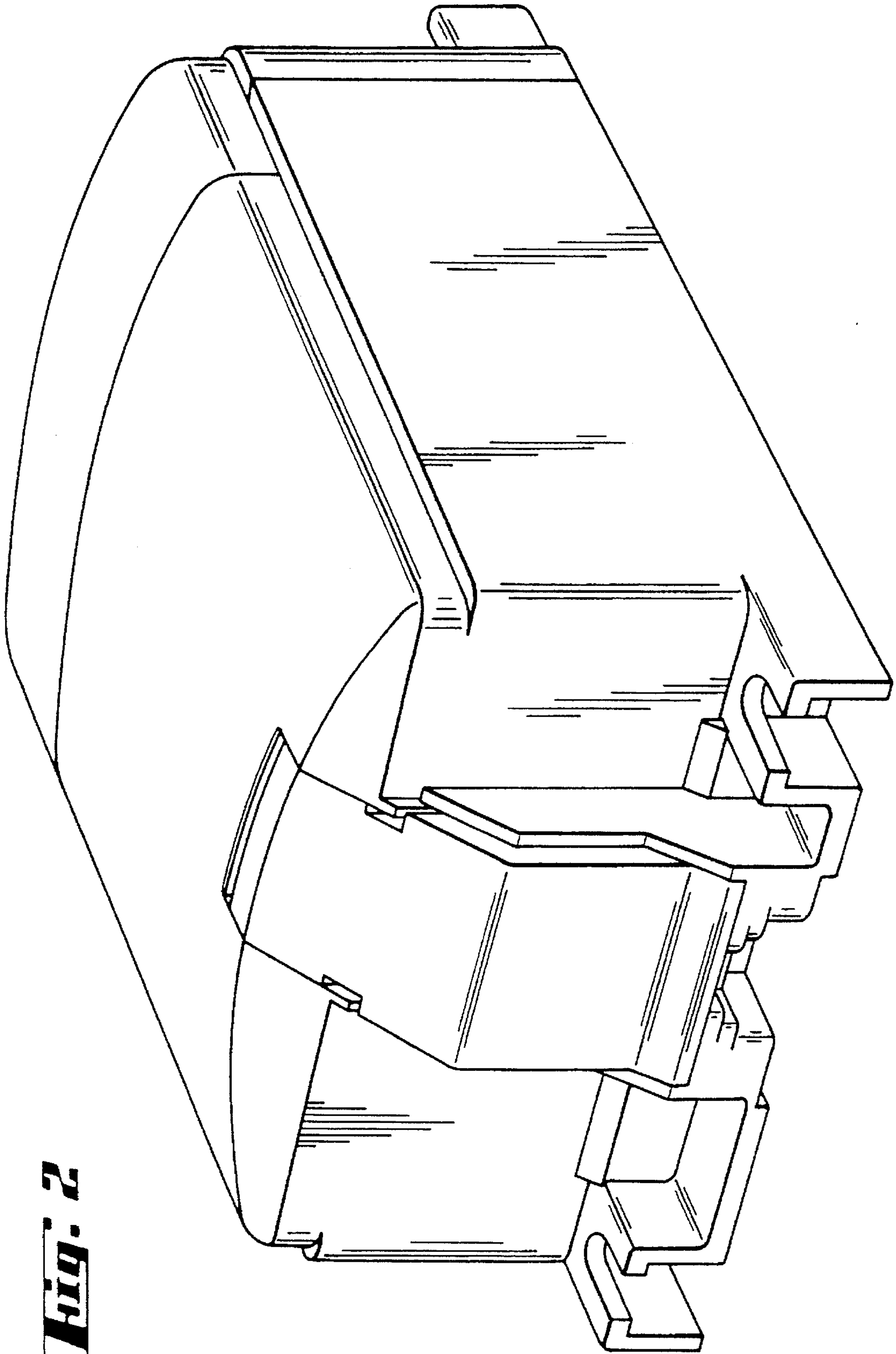


Fig. 2

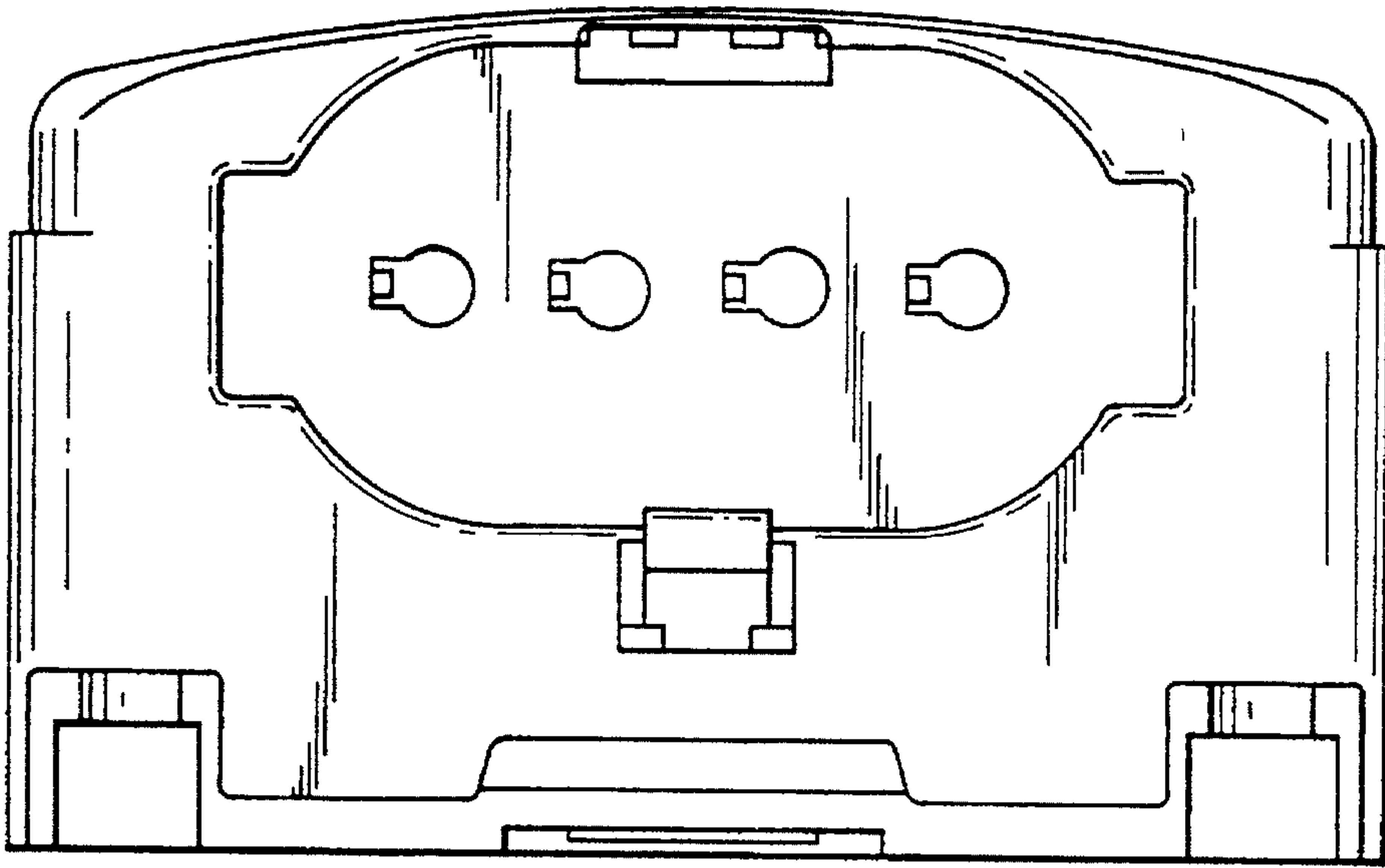


Fig. 3

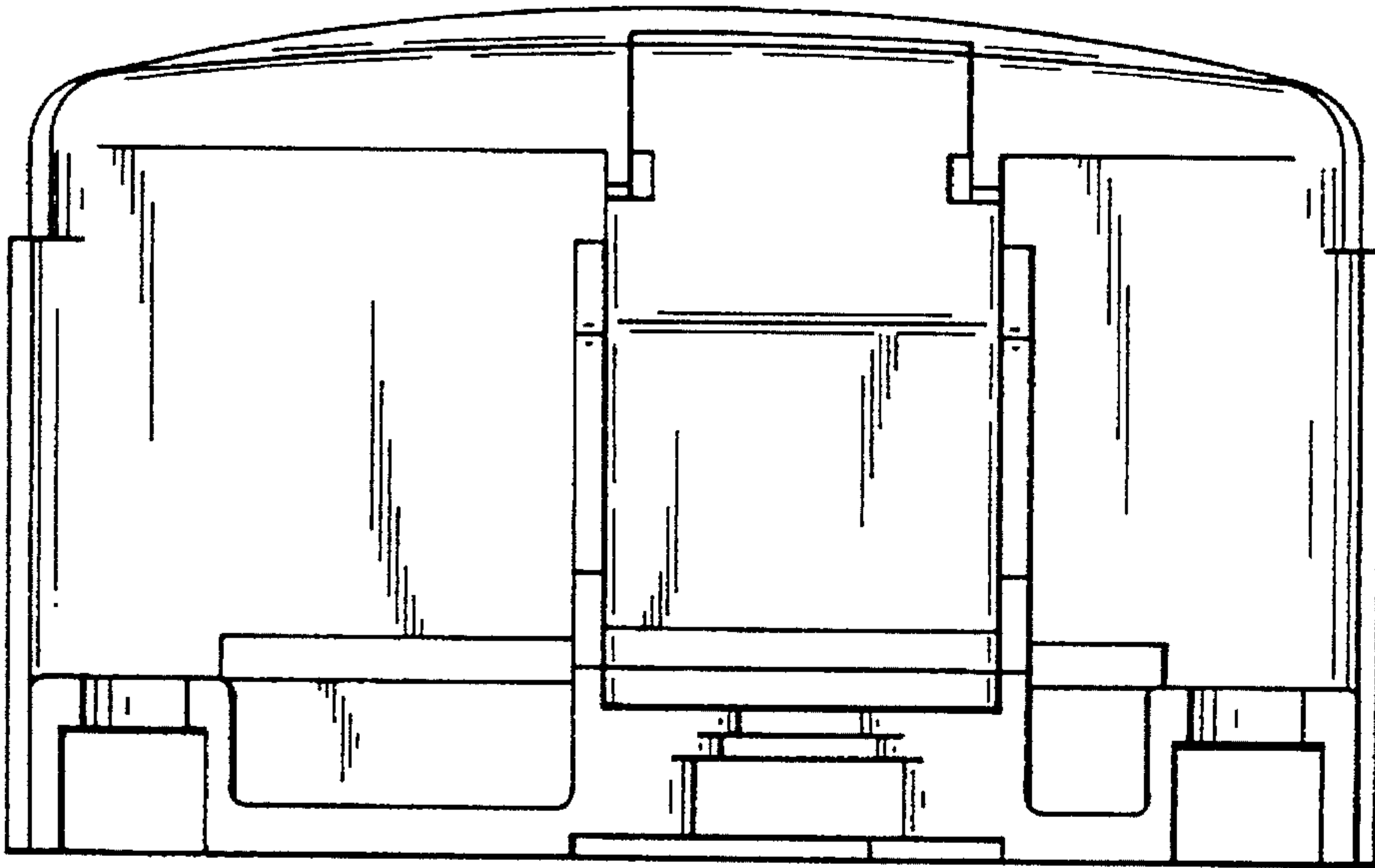


Fig. 4

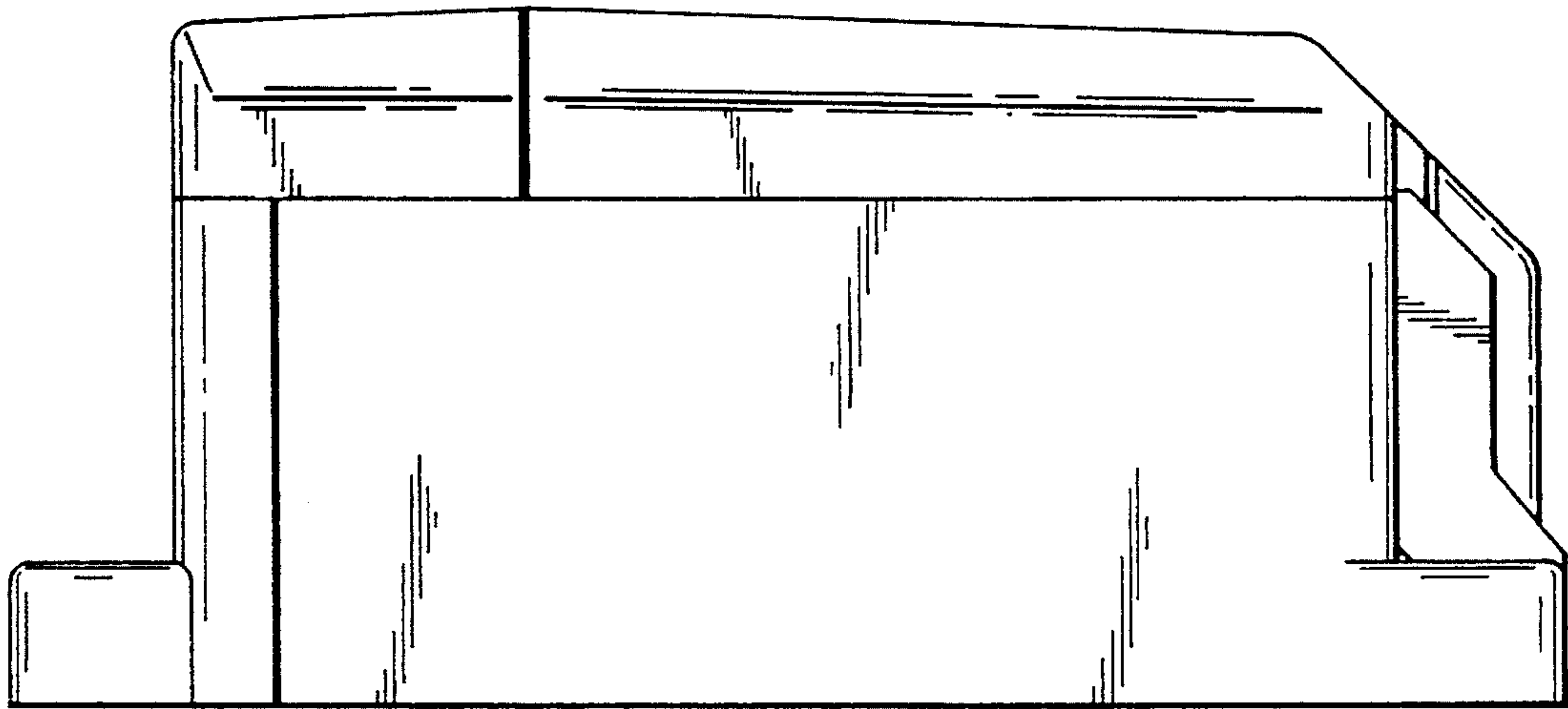


Fig. 5

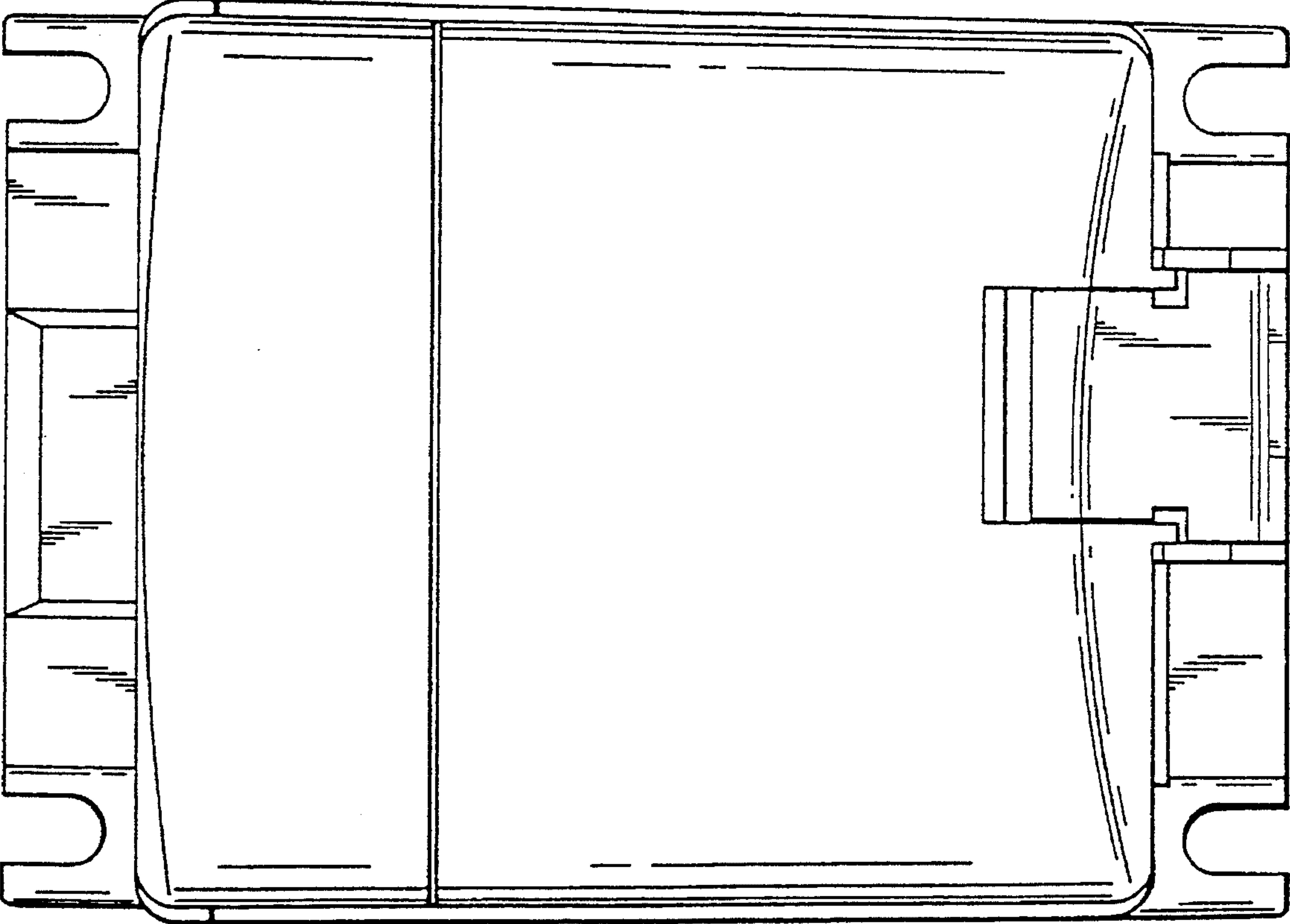


Fig. 6

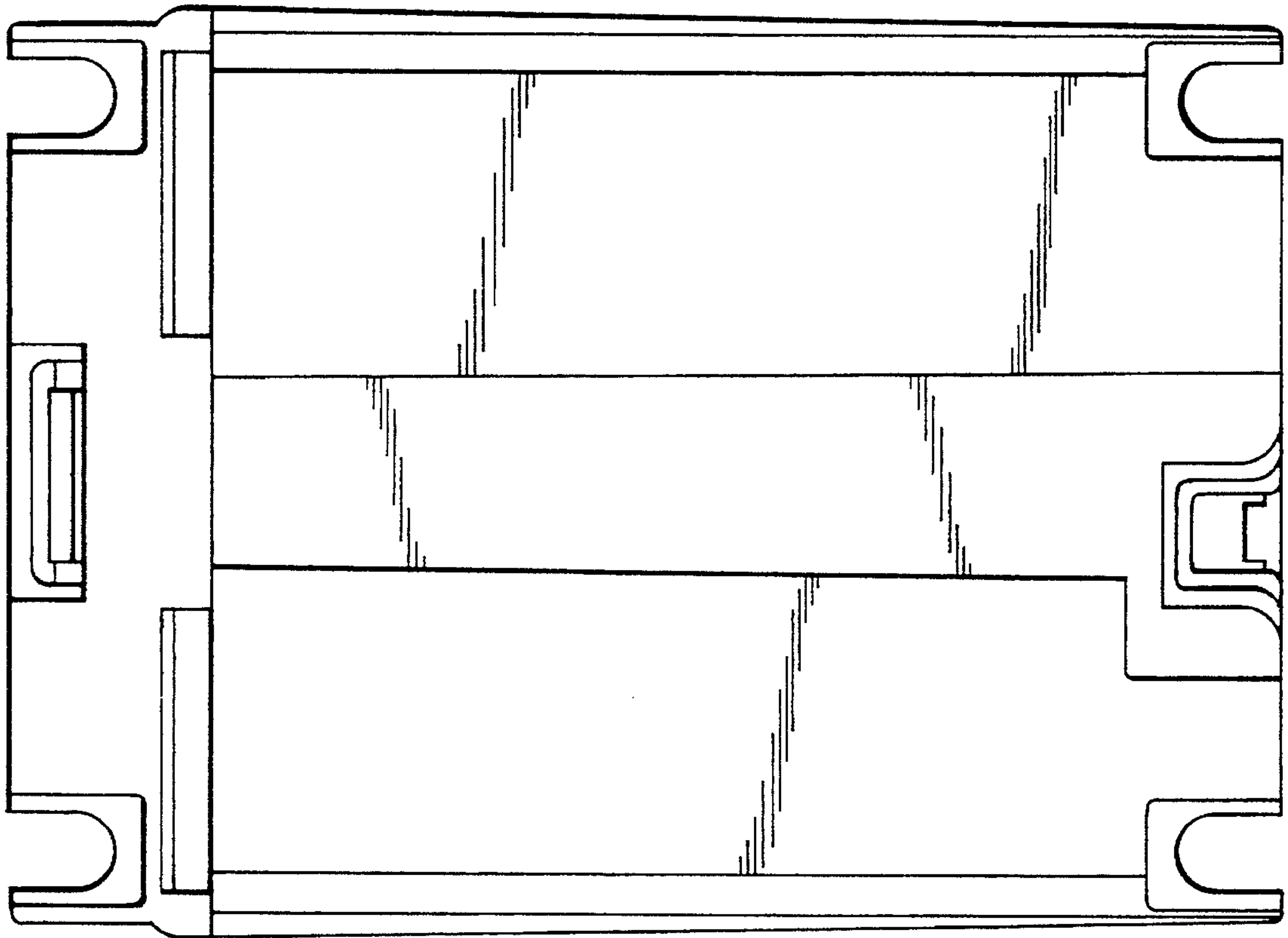


Fig. 7