



US00D369780S

United States Patent [19]
Sachs

[11] **Patent Number: Des. 369,780**

[45] **Date of Patent: **May 14, 1996**

[54] **ELECTRICAL GROUND BRACKET**

[76] Inventor: **Isaac Sachs**, 283 Newton,
Dollard-des-Ormeaux, Quebec, Canada,
H9A 3G1

[**] Term: **14 Years**

[21] Appl. No.: **39,911**

[22] Filed: **Jun. 7, 1995**

Related U.S. Application Data

[62] Division of Ser. No. 21,896, Apr. 25, 1994, Pat. No. Des. 364,332.

[52] **U.S. Cl.** **D13/133; D8/354**

[58] **Field of Search** **D13/133, 154;**
D8/349, 354, 356, 371, 394; 174/40 CC,
48, 51; 439/92, 95, 97, 98; 361/825; 248/475.1,
488, 490, 492, 496

[56] **References Cited**

U.S. PATENT DOCUMENTS

D. 152,254	1/1949	Gallo	D8/371
D. 185,474	6/1959	Waller	D8/394
D. 297,410	8/1988	Sachs	D8/354 X
D. 306,133	2/1990	Zupancic	D8/354
D. 340,226	10/1993	Sachs	D8/356 X
D. 343,385	1/1994	Sachs	D13/154
D. 351,825	10/1994	Sachs	D13/154
2,322,798	6/1943	Fisher	248/475.1
3,211,825	10/1965	Clos	174/48
3,297,815	1/1967	Drettmann	174/48
3,347,504	10/1967	Goss	248/488
3,462,207	8/1969	Newman et al.	248/488 X

FOREIGN PATENT DOCUMENTS

73088	8/1993	Canada .	
609691	10/1948	United Kingdom	248/488

Primary Examiner—Joel Sincavage
Attorney, Agent, or Firm—Foley & Lardner

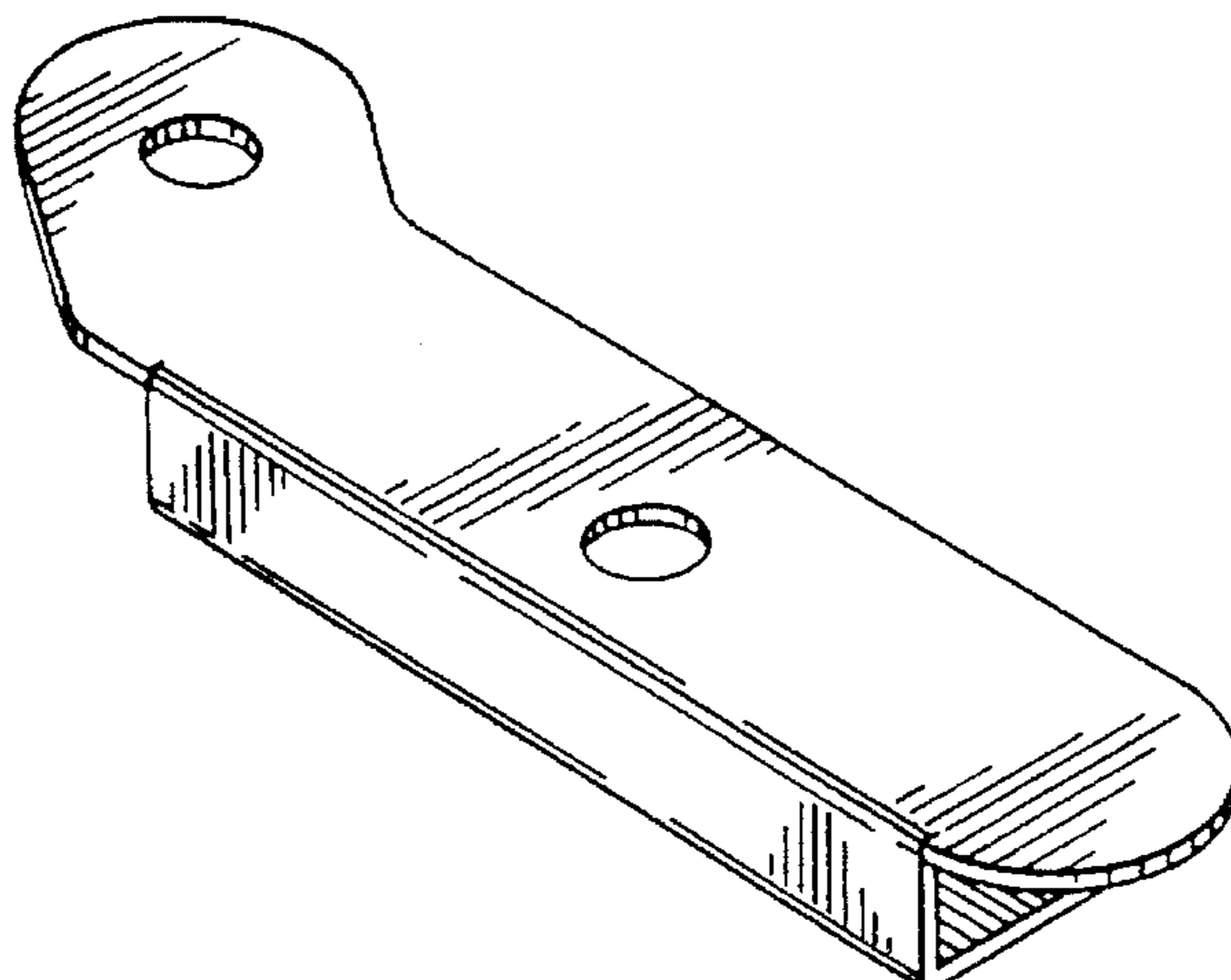
[57] **CLAIM**

The ornamental design for an electrical ground bracket, as shown and described.

DESCRIPTION

FIG. 1 is a right end, bottom and front perspective view of an electrical ground bracket showing my new design;
 FIG. 2 is a right end elevational view thereof;
 FIG. 3 is a left end elevational view thereof;
 FIG. 4 is a front elevational view thereof;
 FIG. 5 is a rear elevational view thereof;
 FIG. 6 is a top plan view thereof;
 FIG. 7 is a bottom plan view thereof;
 FIG. 8 is a right end, bottom and front perspective view of an electrical ground bracket showing another embodiment of my new design;
 FIG. 9 is a right end elevational view of FIG. 8;
 FIG. 10 is a left end elevational view of FIG. 8;
 FIG. 11 is a front elevational view of FIG. 8;
 FIG. 12 is a rear elevational view of FIG. 8;
 FIG. 13 is a top plan view of FIG. 8;
 FIG. 14 is a bottom plan view of FIG. 8;
 FIG. 15 is a right end, bottom and front perspective view of an electrical ground bracket showing a further embodiment of my new design;
 FIG. 16 is a right end elevational view of FIG. 15;
 FIG. 17 is a left end elevational view of FIG. 15;
 FIG. 18 is a front elevational view of FIG. 15;
 FIG. 19 is a rear elevational view of FIG. 15;
 FIG. 20 is a top plan view of FIG. 15;
 FIG. 21 is a bottom plan view of FIG. 15;
 FIG. 22 is a right end, bottom and front perspective view of an electrical ground bracket showing yet a further embodiment of my new design;
 FIG. 23 is a right end elevational view of FIG. 22;
 FIG. 24 is a left end elevational view of FIG. 22;
 FIG. 25 is a front elevational view of FIG. 22;
 FIG. 26 is a rear elevational view of FIG. 22;
 FIG. 27 is a top plan view of FIG. 22; and,
 FIG. 28 is a bottom plan view of FIG. 22.

1 Claim, 4 Drawing Sheets



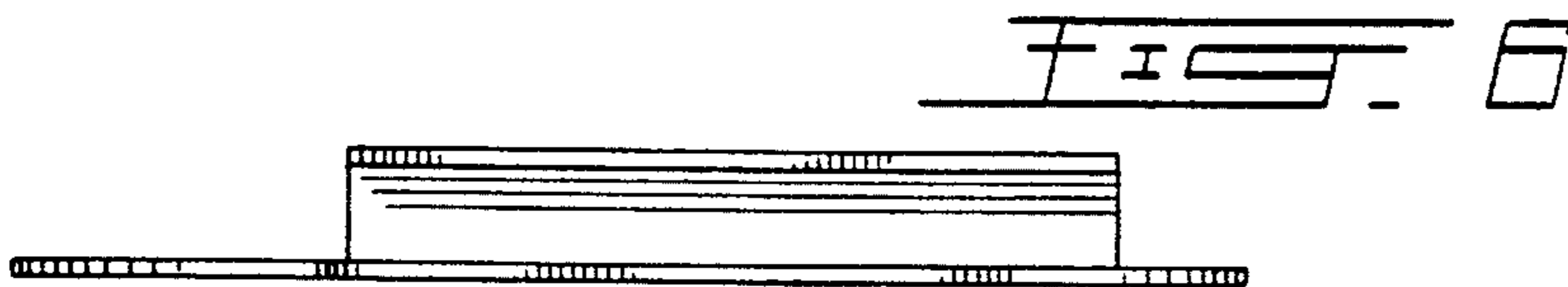
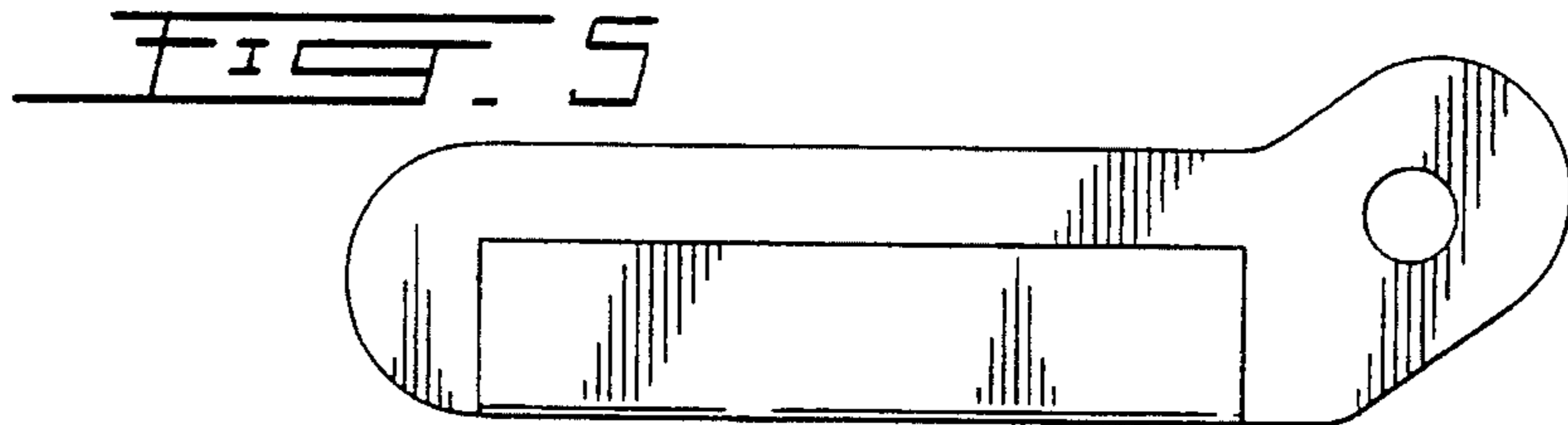
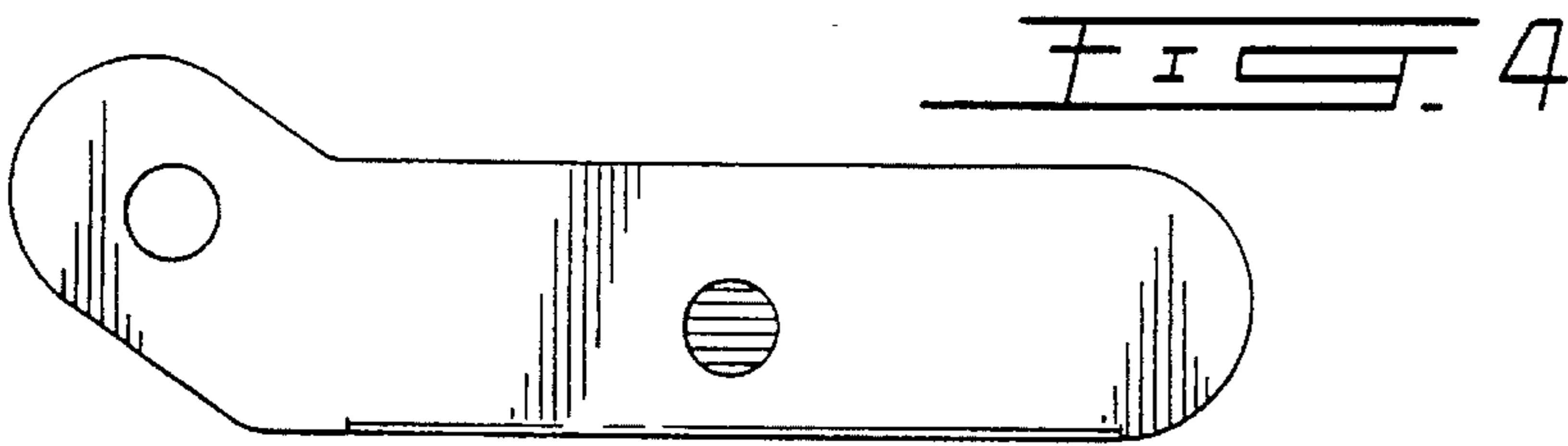
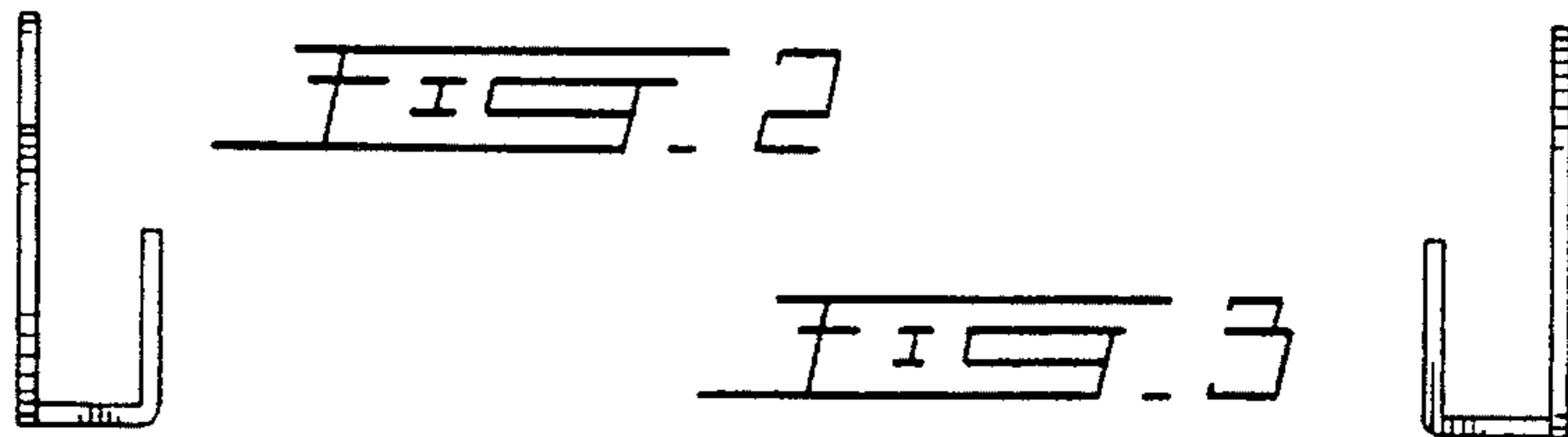
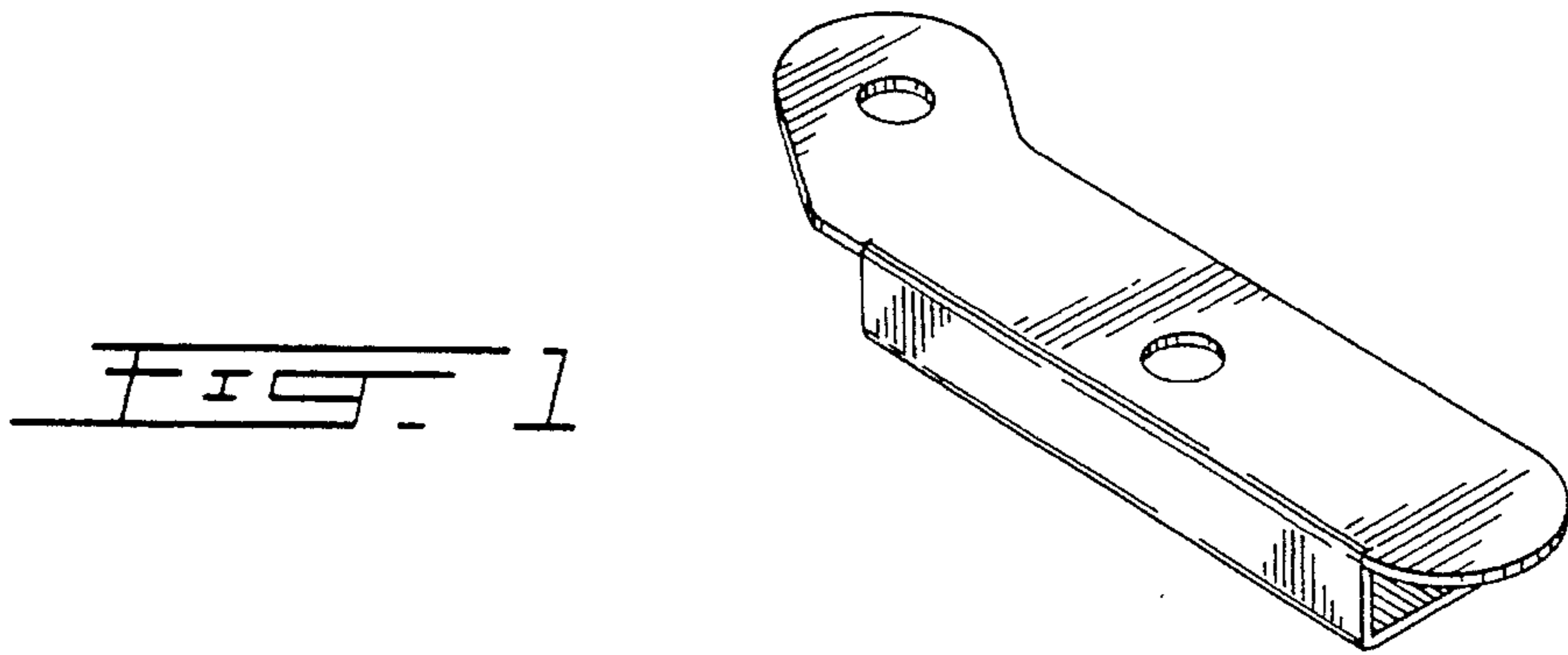


FIG. 8

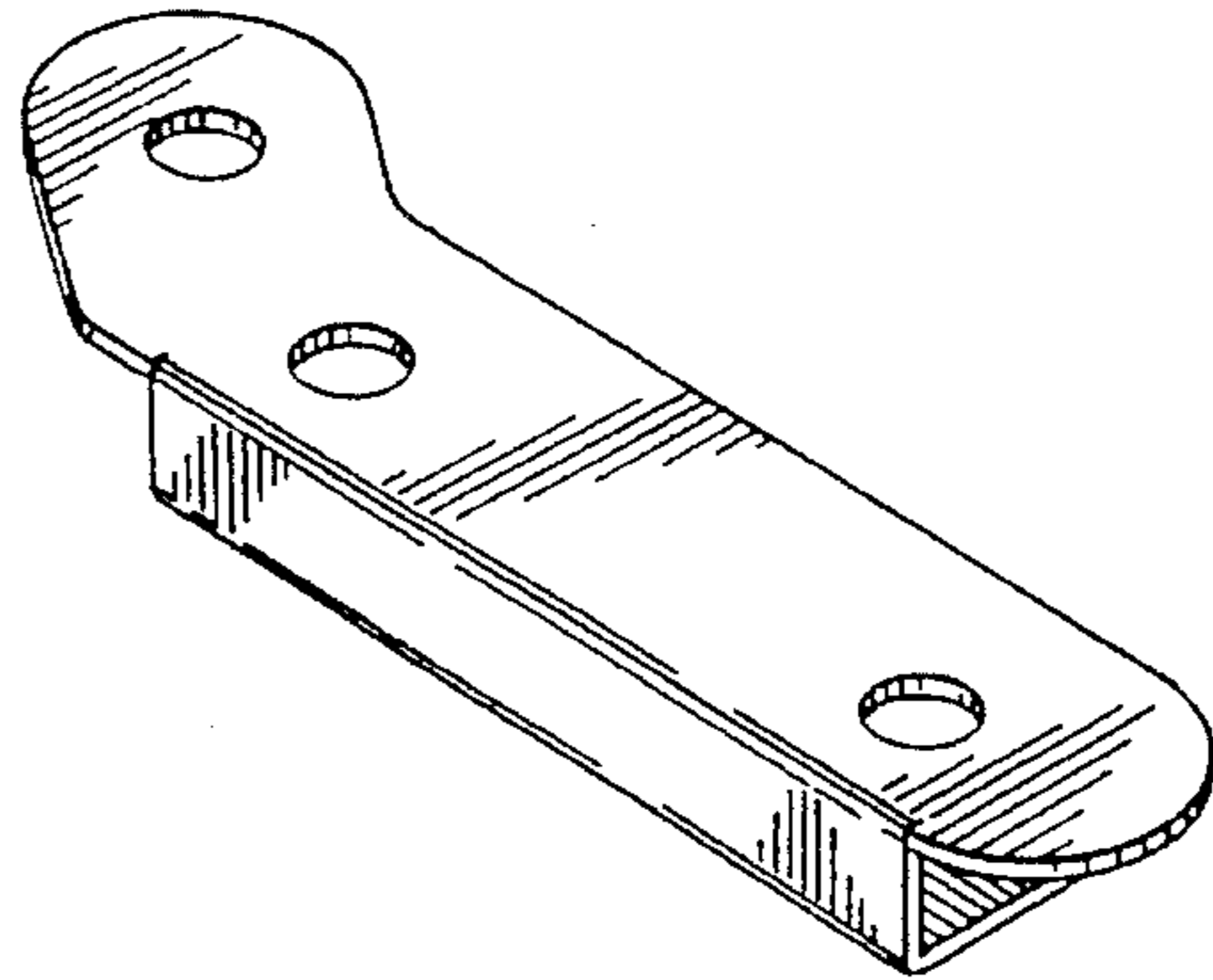


FIG. 9

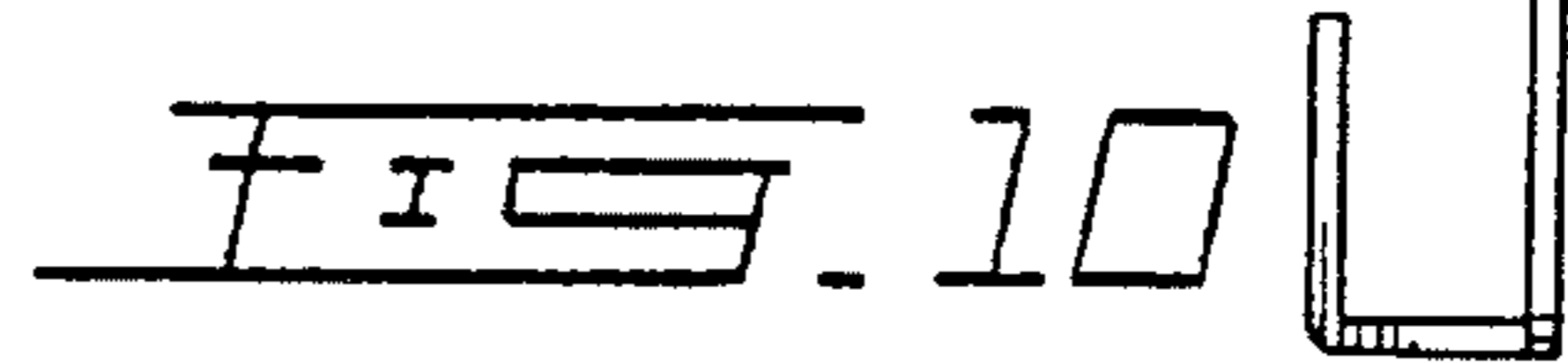


FIG. 10

FIG. 11

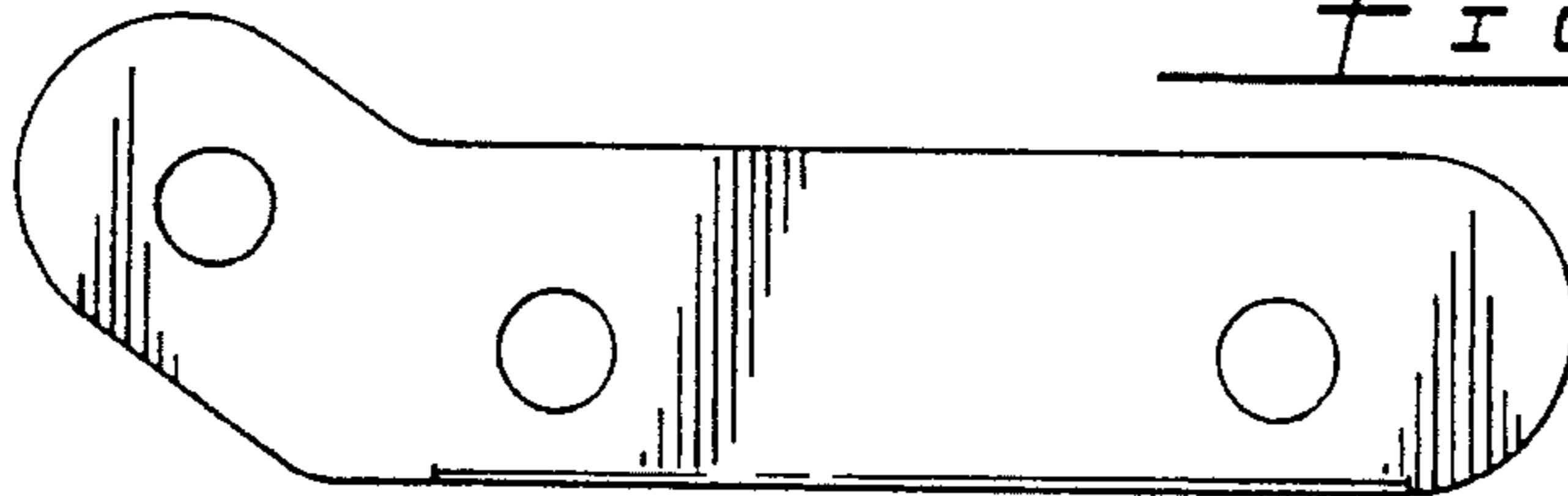


FIG. 12

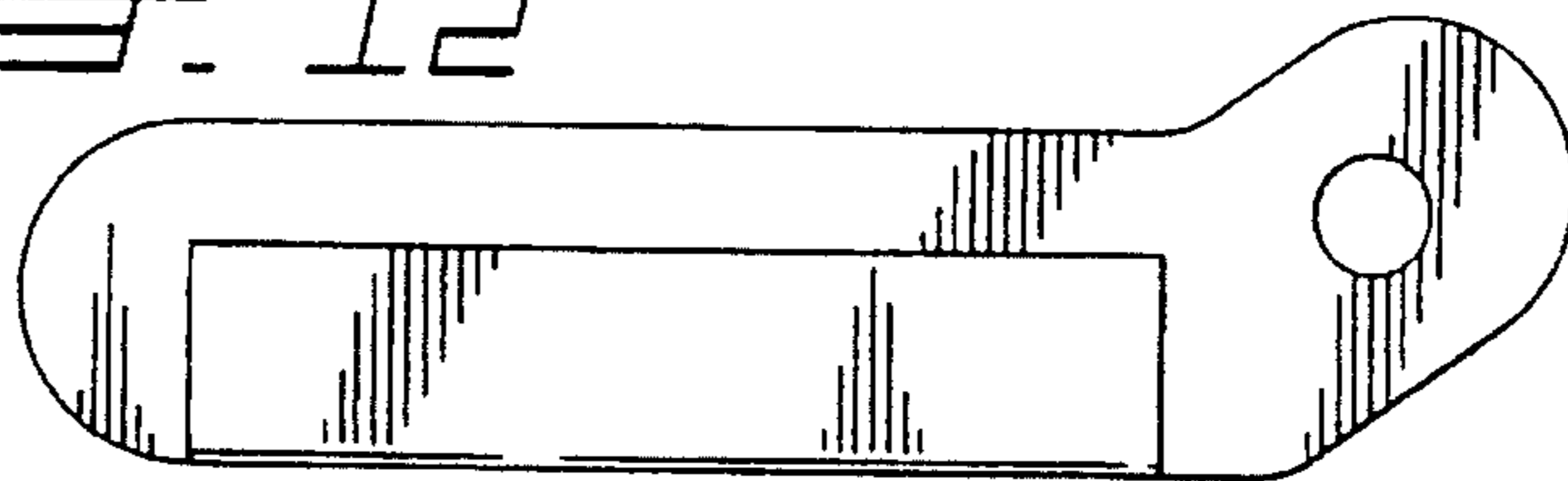


FIG. 13

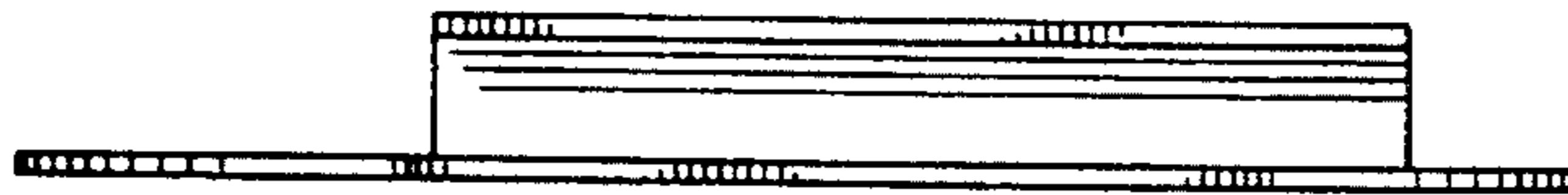


FIG. 14

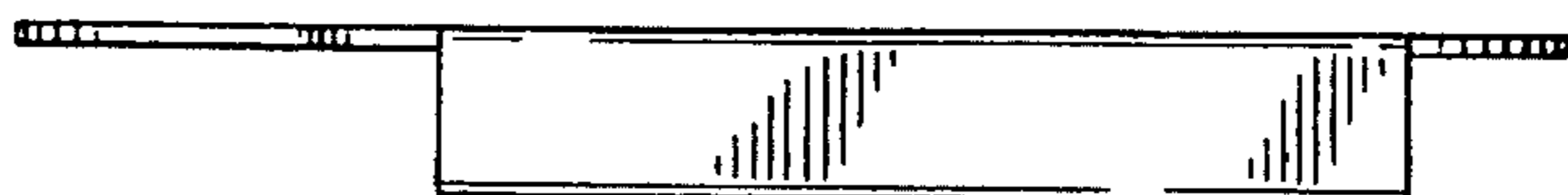


FIG. 15

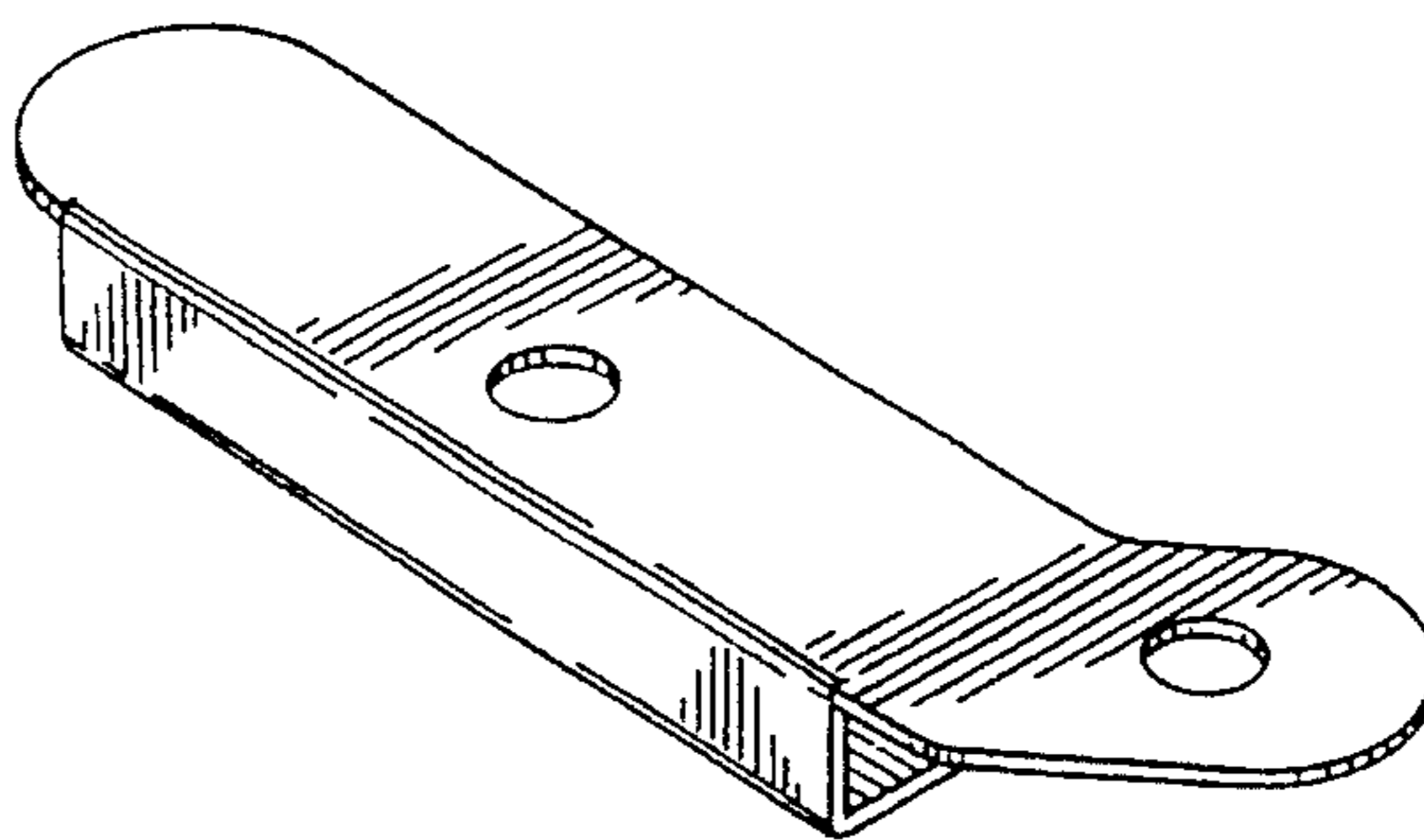


FIG. 16



FIG. 17



FIG. 18

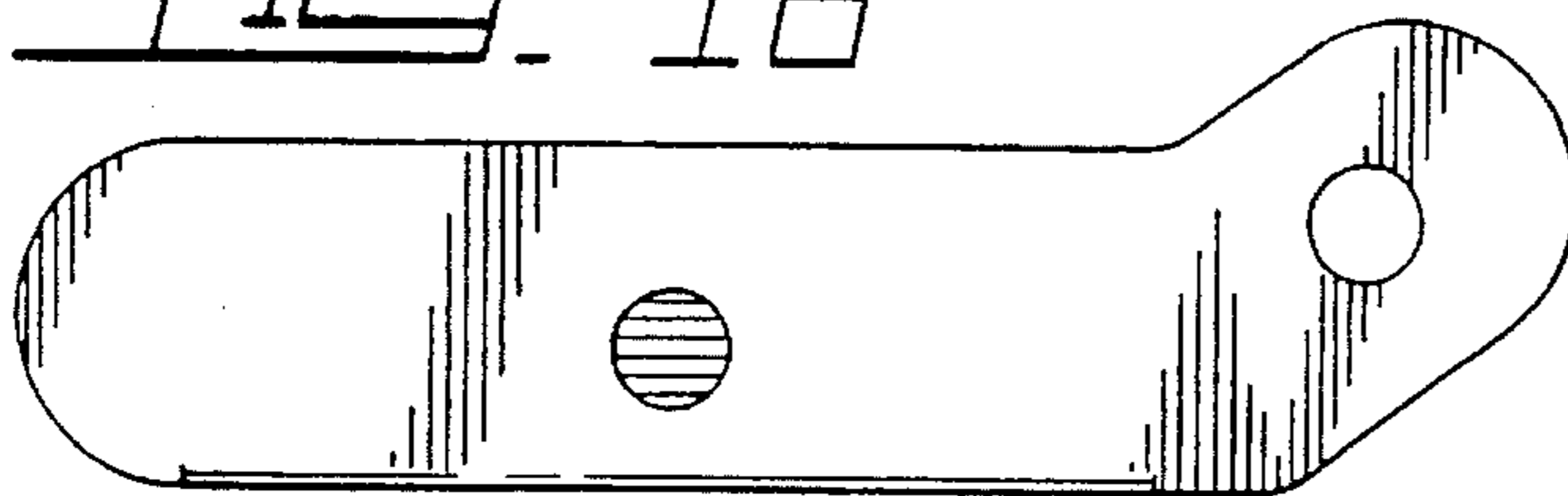


FIG. 19

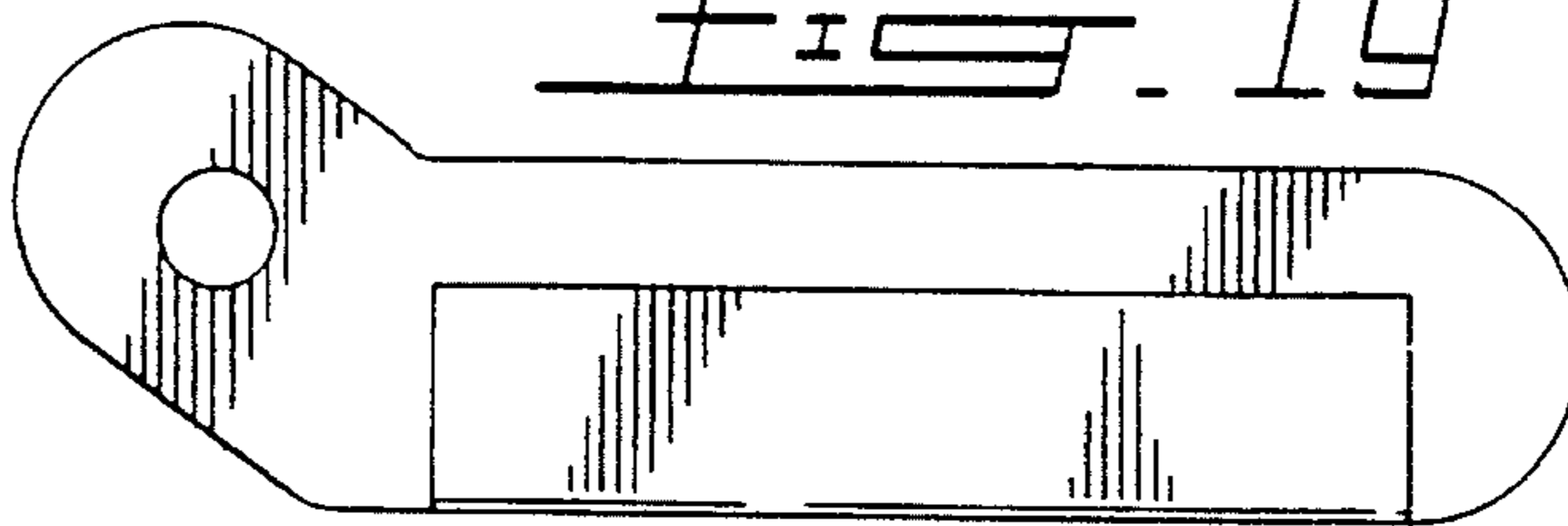


FIG. 20

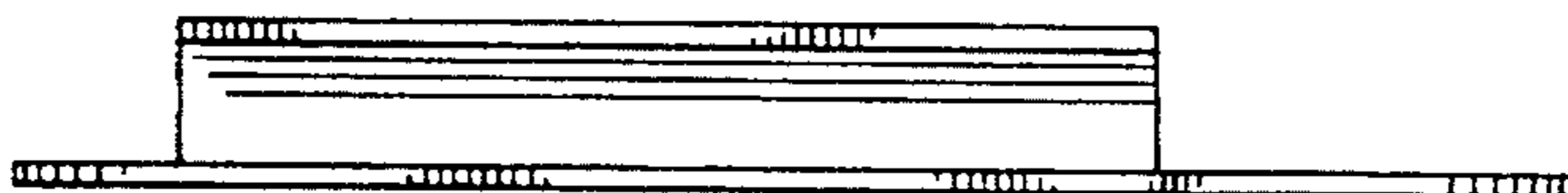


FIG. 21

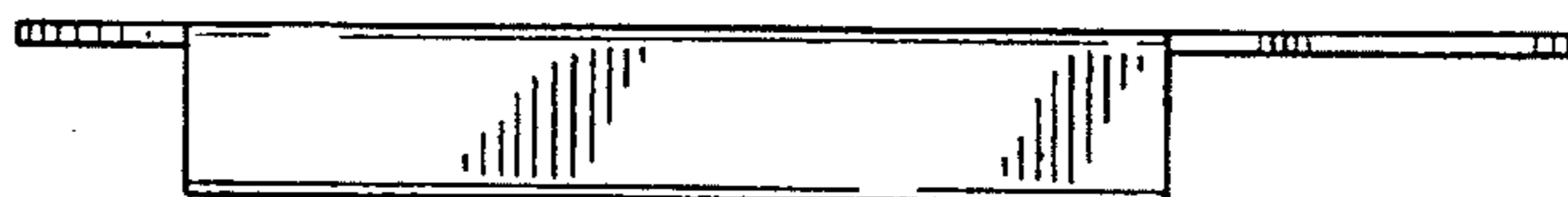


FIG. 22

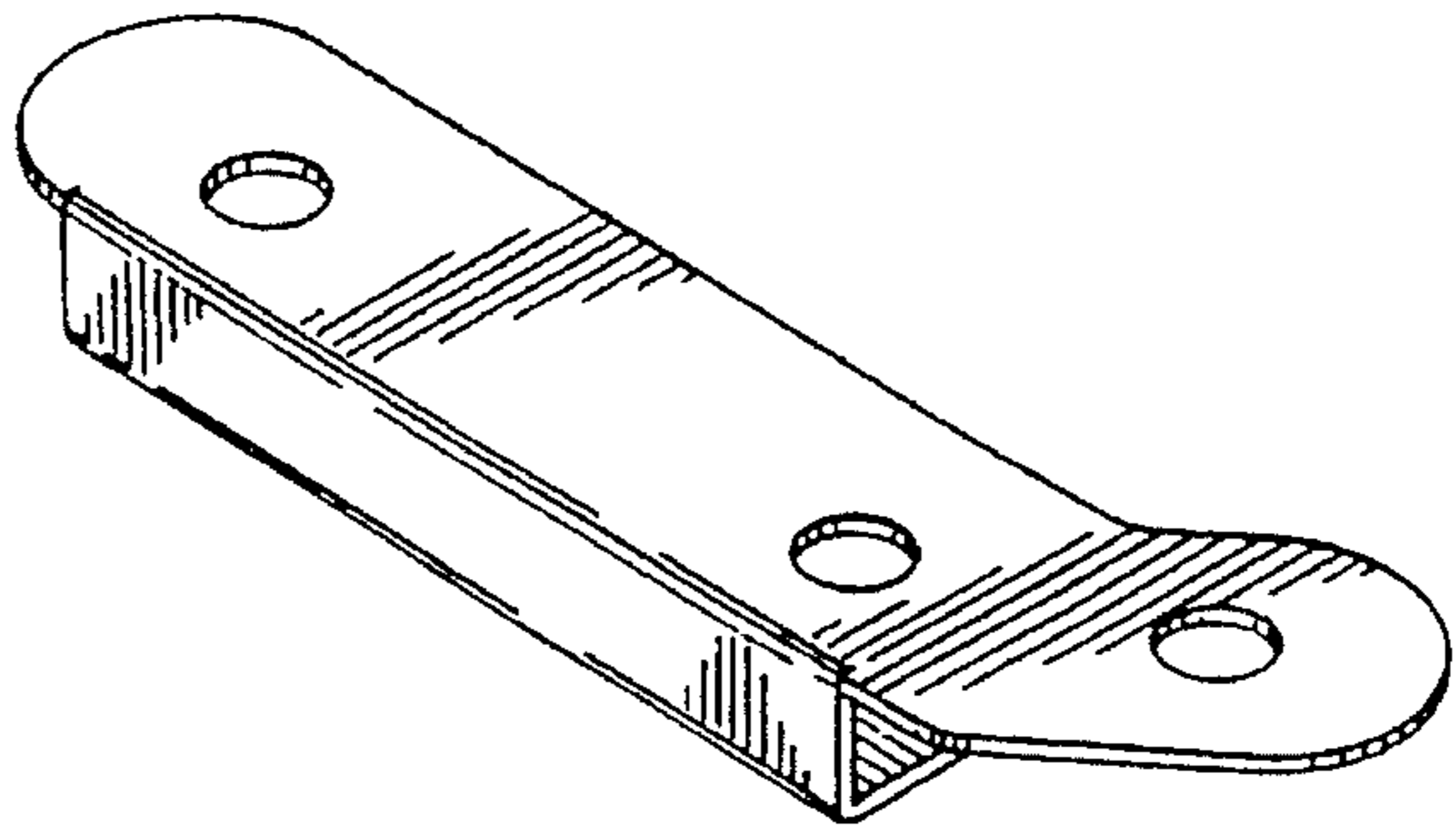


FIG. 23

FIG. 24



FIG. 25

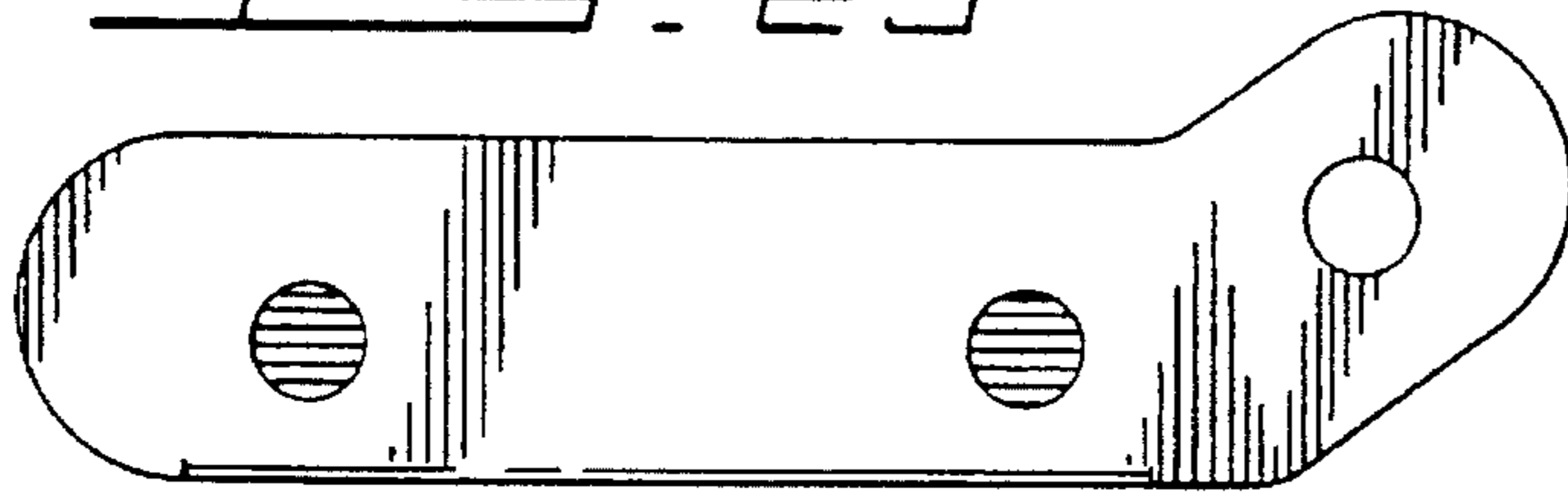


FIG. 26

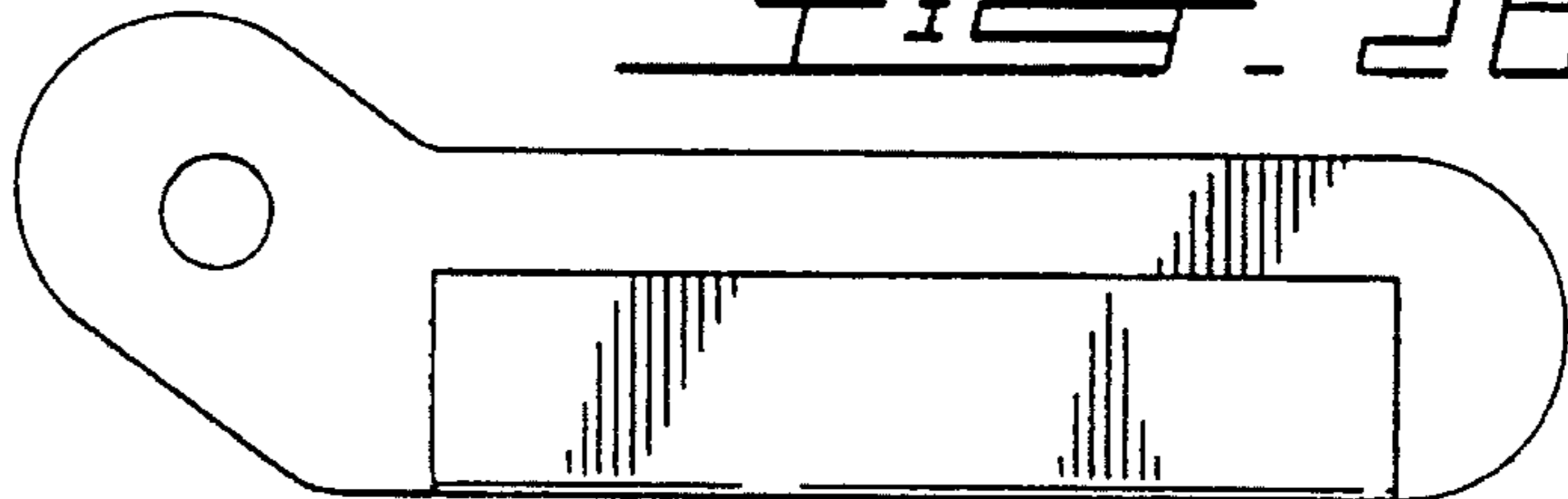


FIG. 27

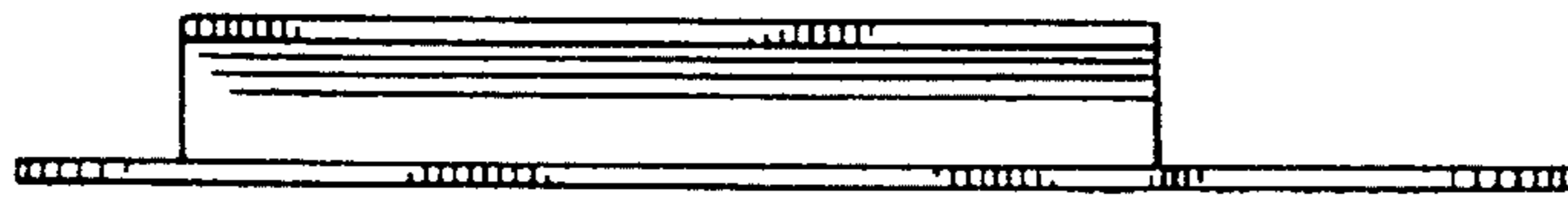


FIG. 28

