



US00D369760S

United States Patent [19] Sanderson

[11] **Patent Number:** Des. 369,760

[45] **Date of Patent:** **May 14, 1996

[54] **PLANTER**

[75] **Inventor:** Kenneth L. Sanderson, Elgin, Ill.

[73] **Assignee:** Duraco Products, Inc., Streamwood, Ill.

[**] **Term:** 14 Years

[21] **Appl. No.:** 33,280

[22] **Filed:** Jan. 9, 1995

[52] **U.S. Cl.** D11/152

[58] **Field of Search** D11/152, 143;
47/66; 206/423

[56] References Cited

U.S. PATENT DOCUMENTS

D. 340,674	10/1993	Carlson	D11/152
2,026,679	1/1936	Higgins	D11/152 X
3,027,684	4/1962	Keiding	206/423 X

OTHER PUBLICATIONS

“American Nurseryman”, Oct. 1976, p. 39, Planters shown at upper-left, Plant Husbandry Boxes.

“Sweets Catalog File”, 1982, Earthly Delights—Terra Cotta, Lacquered Pots & Accessories, item No. 01101 Rolled Rim.

Primary Examiner—Alan P. Douglas

Assistant Examiner—Cathron B. Matta

Attorney, Agent, or Firm—John L. Schmitt

[57] CLAIM

The ornamental design of a planter, as shown and described.

DESCRIPTION

FIG. 1 is a perspective view of a planter showing my new design;

FIG. 2 is a front elevational view thereof; both sides and the rear side are identical to the front side as shown except only the front side has a watering hole;

FIG. 3 is a top plan view thereof;

FIG. 4 is a bottom plan view thereof; and,

FIG. 5 is a cross sectional view of a bottom portion of the planter as seen generally along a line 5—5 in FIG. 3.

1 Claim, 3 Drawing Sheets

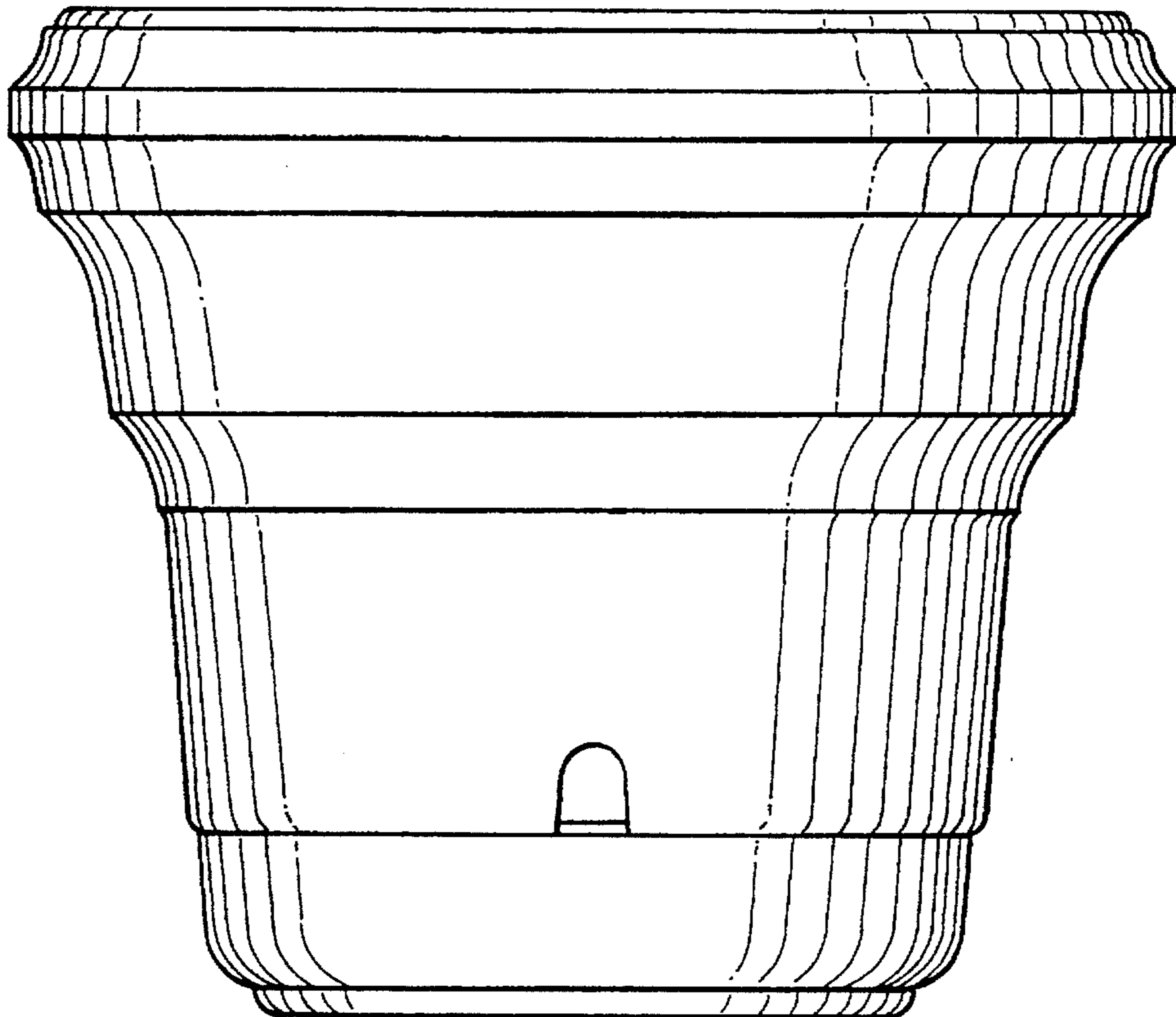


FIG. 1

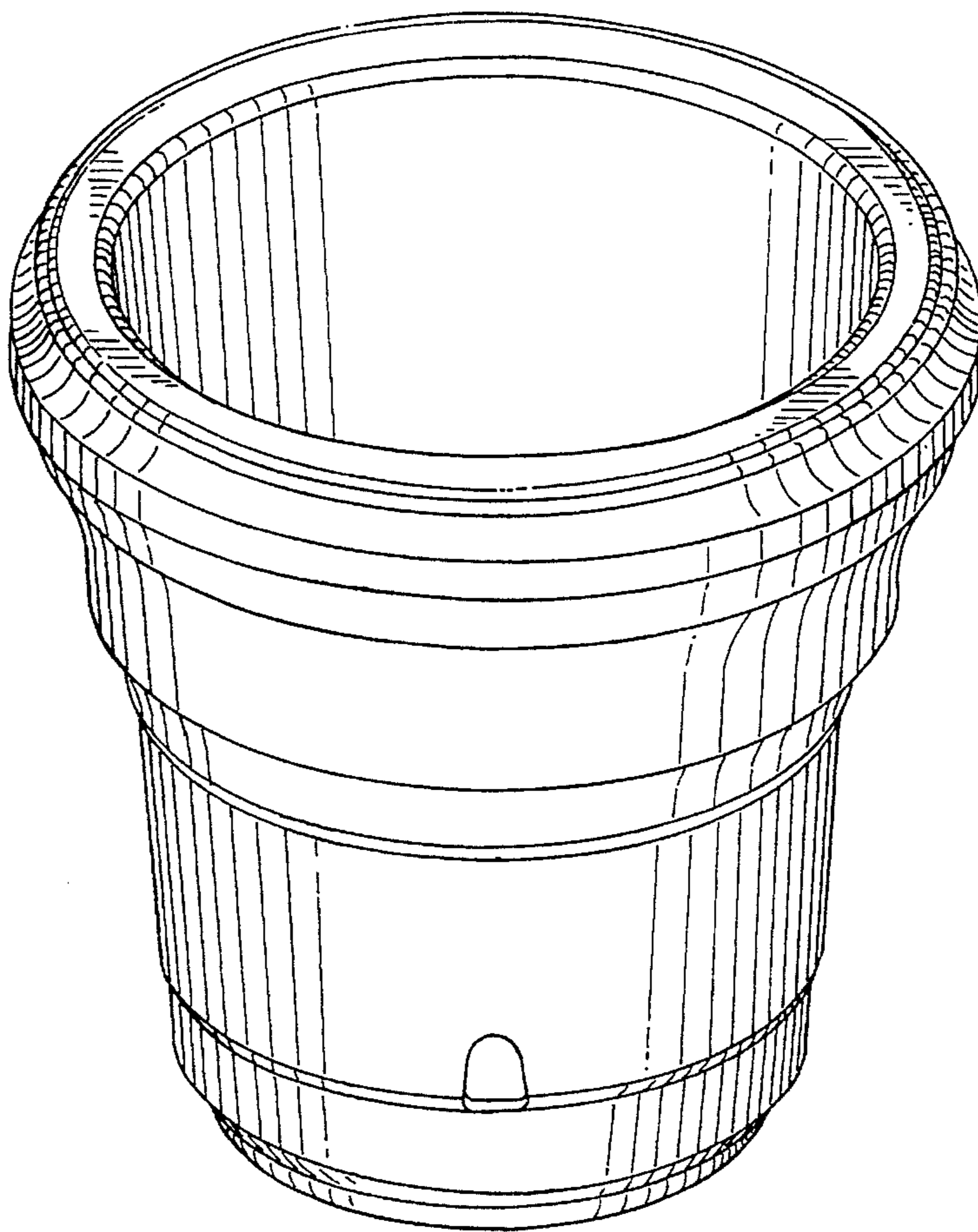


FIG. 2

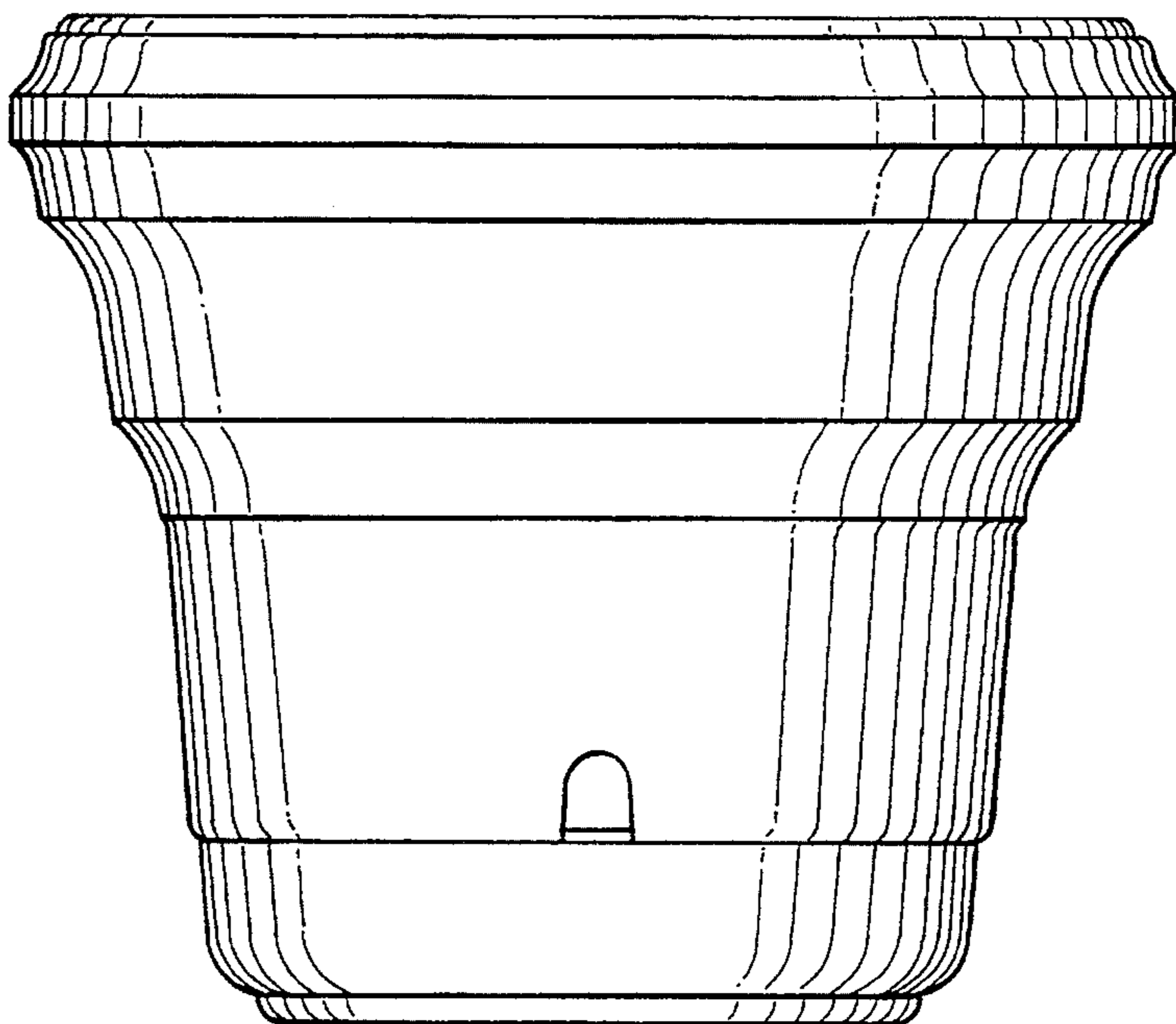


FIG. 3

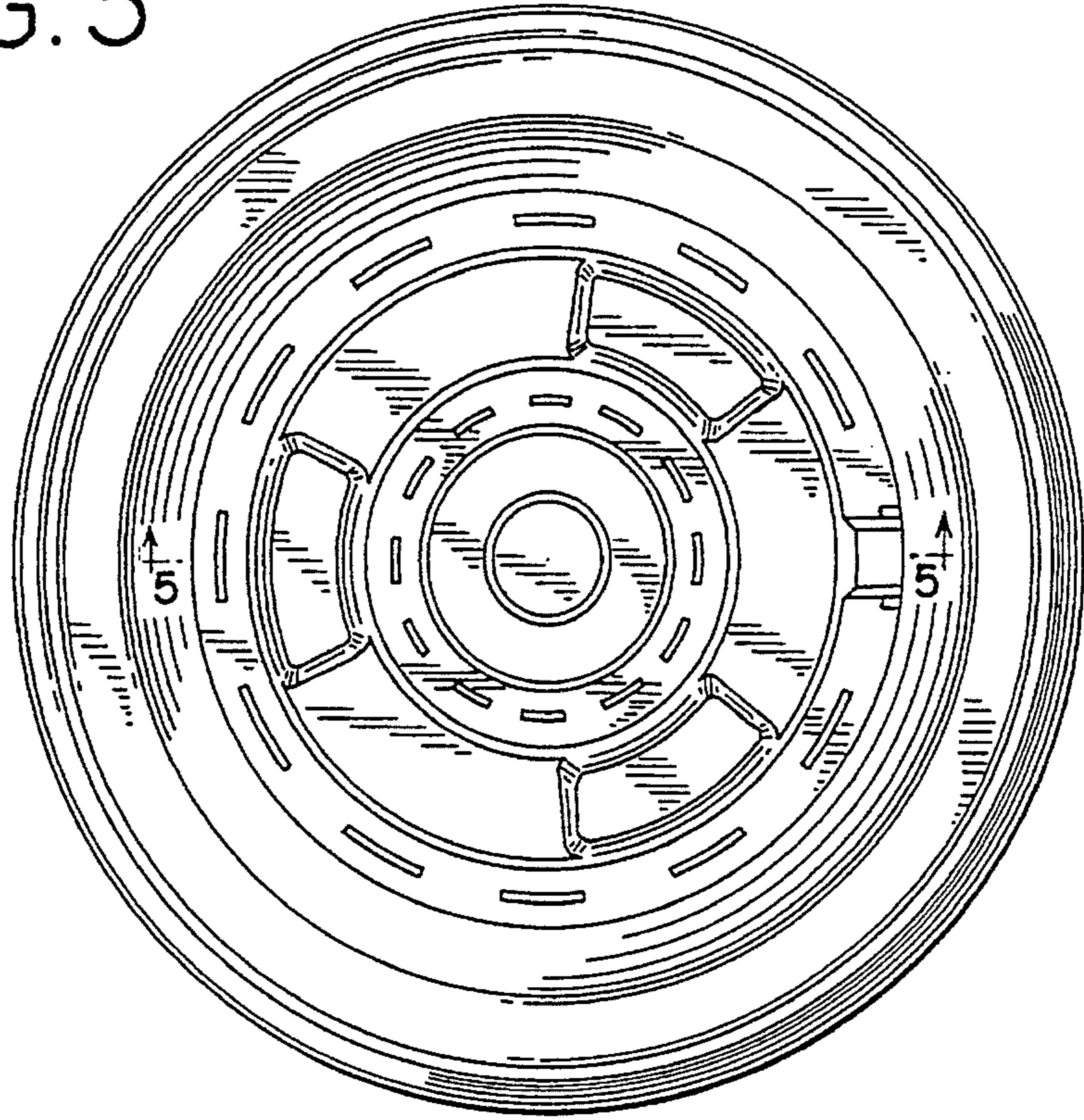


FIG. 4

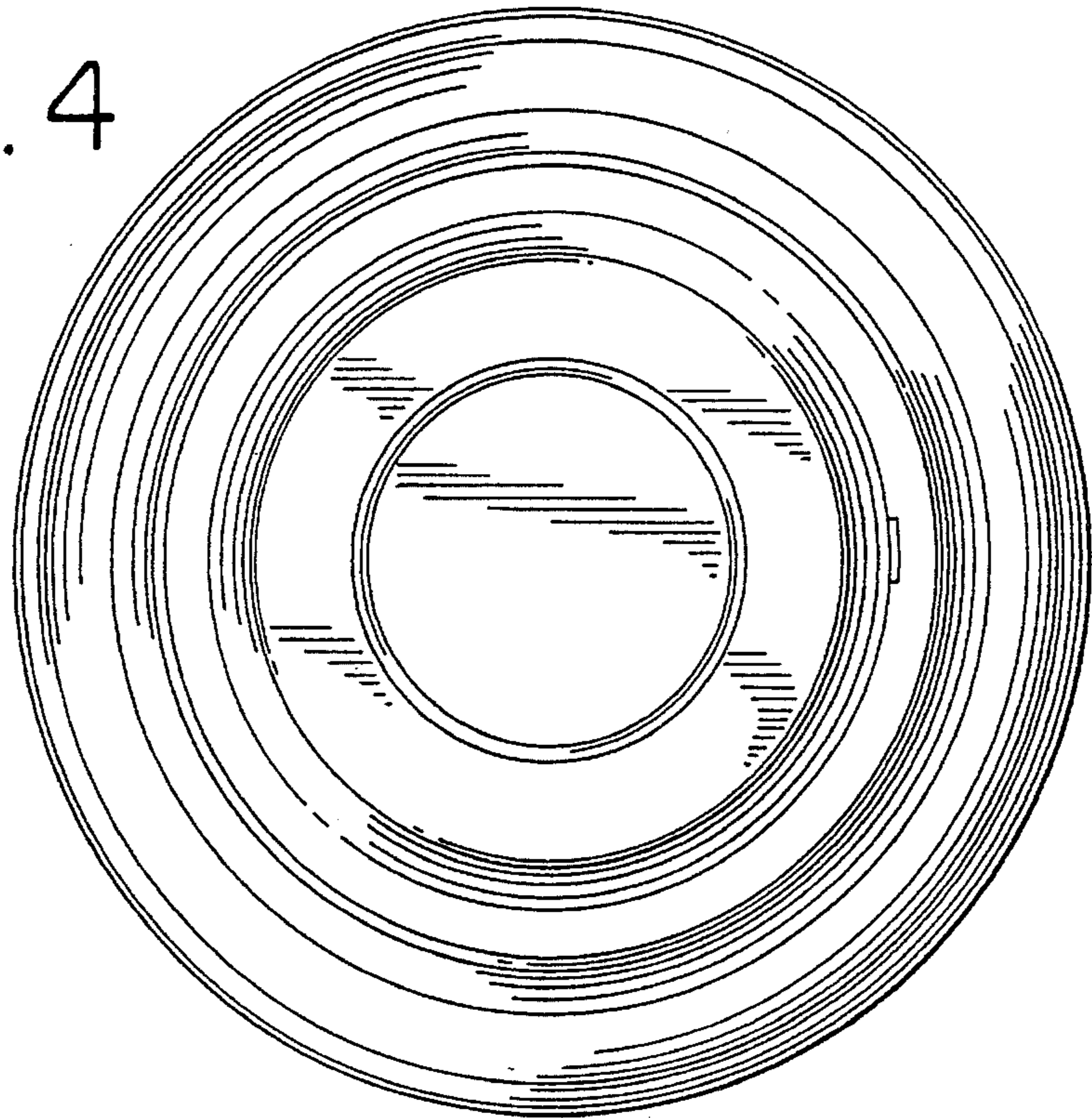


FIG. 5

