



US00D369748S

# United States Patent [19]

Zemlo et al.

[11] Patent Number: **Des. 369,748**

[45] Date of Patent: **\*\*May 14, 1996**

[54] **CLOSURE**

[75] Inventors: **Bridgett Zemlo**, West Chicago; **Len Ekkert**, Lemont, both of Ill.

[73] Assignee: **Phoenix Closures, Inc.**, Naperville, Ill.

[\*\*] Term: **14 Years**

[21] Appl. No.: **35,595**

[22] Filed: **Mar. 2, 1995**

[52] U.S. Cl. .... **D9/453**; D9/452

[58] Field of Search ..... D9/434-6, 440, D9/442-5, 447, 450, 452-4, 456; D7/510-11, 622, 629, 667; D8/312; 141/322; 215/214, 235, 320-1, 328, 355; 220/288, 374, 711; 222/189, 454, 541

[56] **References Cited**

**U.S. PATENT DOCUMENTS**

D. 34,169	3/1901	Bertels	.....	D9/449
D. 49,120	5/1916	Hoffman	.....	D9/454
D. 59,597	11/1921	Hyatt	.....	D9/452
D. 145,011	6/1946	Derham	.....	D9/453
D. 153,956	5/1949	Lay	.....	D9/453
D. 155,298	9/1949	Falce	.....	D9/439
D. 160,448	10/1950	Waite	.....	D9/447
D. 233,138	10/1974	Vogel	.....	D9/453

D. 250,467	12/1978	O'Banion	.....	D9/450
D. 253,289	10/1979	Kato	.....	D8/312
D. 279,596	7/1985	Rademacher	.....	D8/312
D. 290,323	6/1987	Weernink	.....	D7/511
D. 337,697	7/1993	Giugiaro	.....	D7/629

*Primary Examiner*—Alan P. Douglas  
*Assistant Examiner*—Robert M. Spear  
*Attorney, Agent, or Firm*—Welsh & Katz, Ltd.

[57] **CLAIM**

The ornamental design for a closure, as shown and described.

**DESCRIPTION**

FIG. 1 is a perspective view of a closure of the subject invention;  
FIG. 2 is a side plan view of the closure of the subject invention, the opposite side being identical;  
FIG. 3 is a top plan view of the closure of the subject invention; and,  
FIG. 4 is a bottom plan view of the closure of the subject invention.  
The broken line showing of a portion of a container in FIGS. 1 and 2 and of the threads of the cap in FIG. 4 is for illustrative purposes only and forms no part of the claimed design.

**1 Claim, 1 Drawing Sheet**

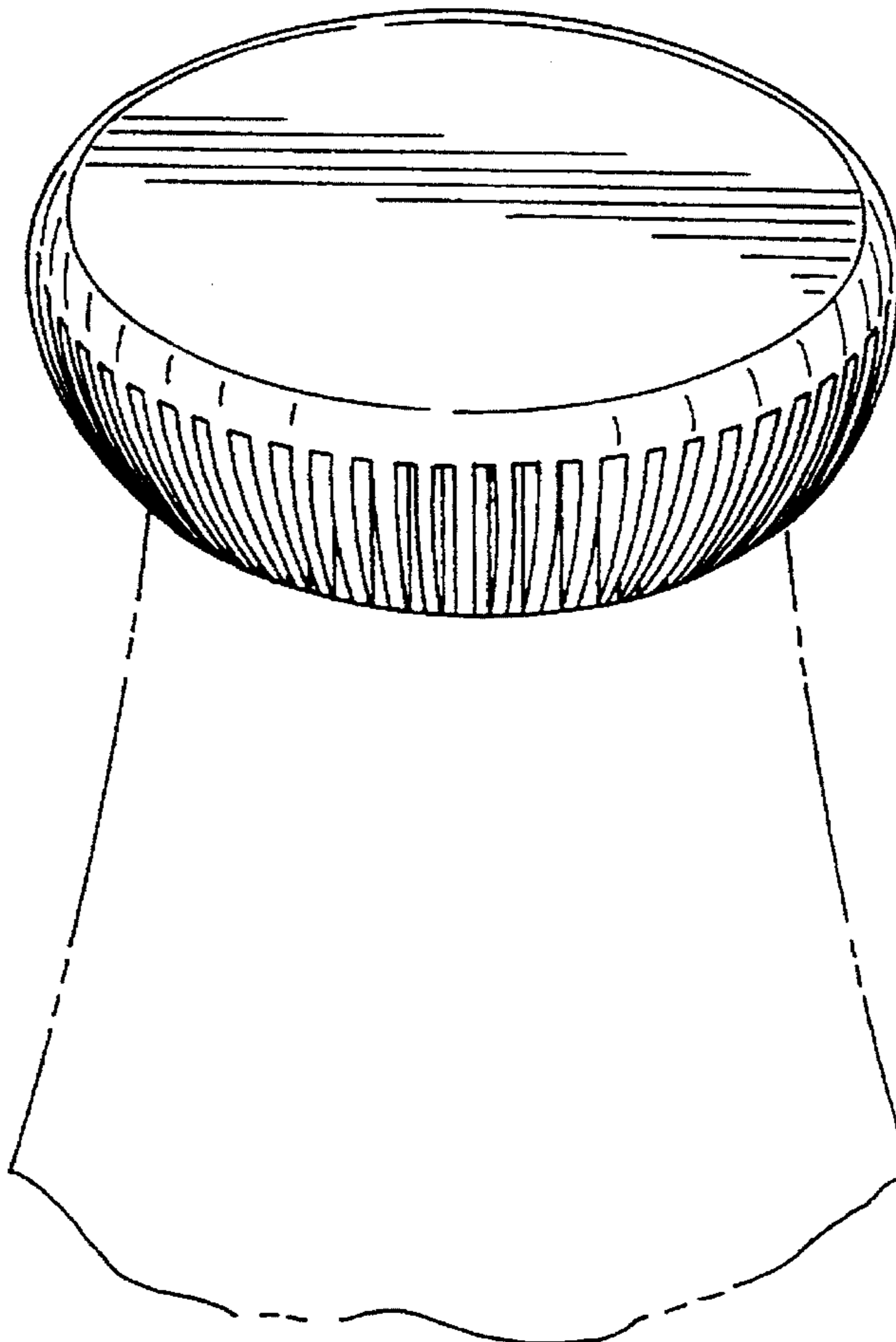


FIG. 1

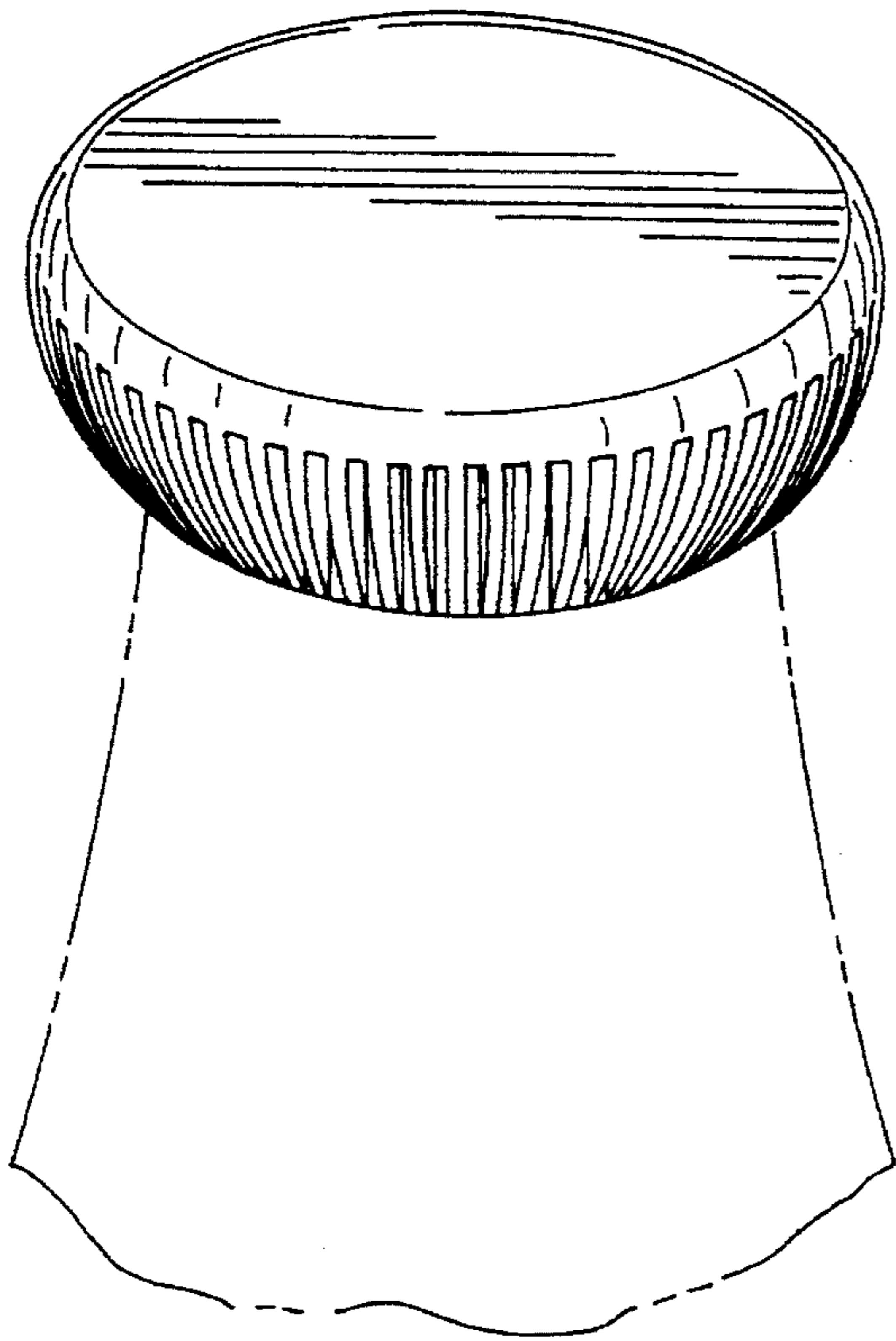


FIG. 2

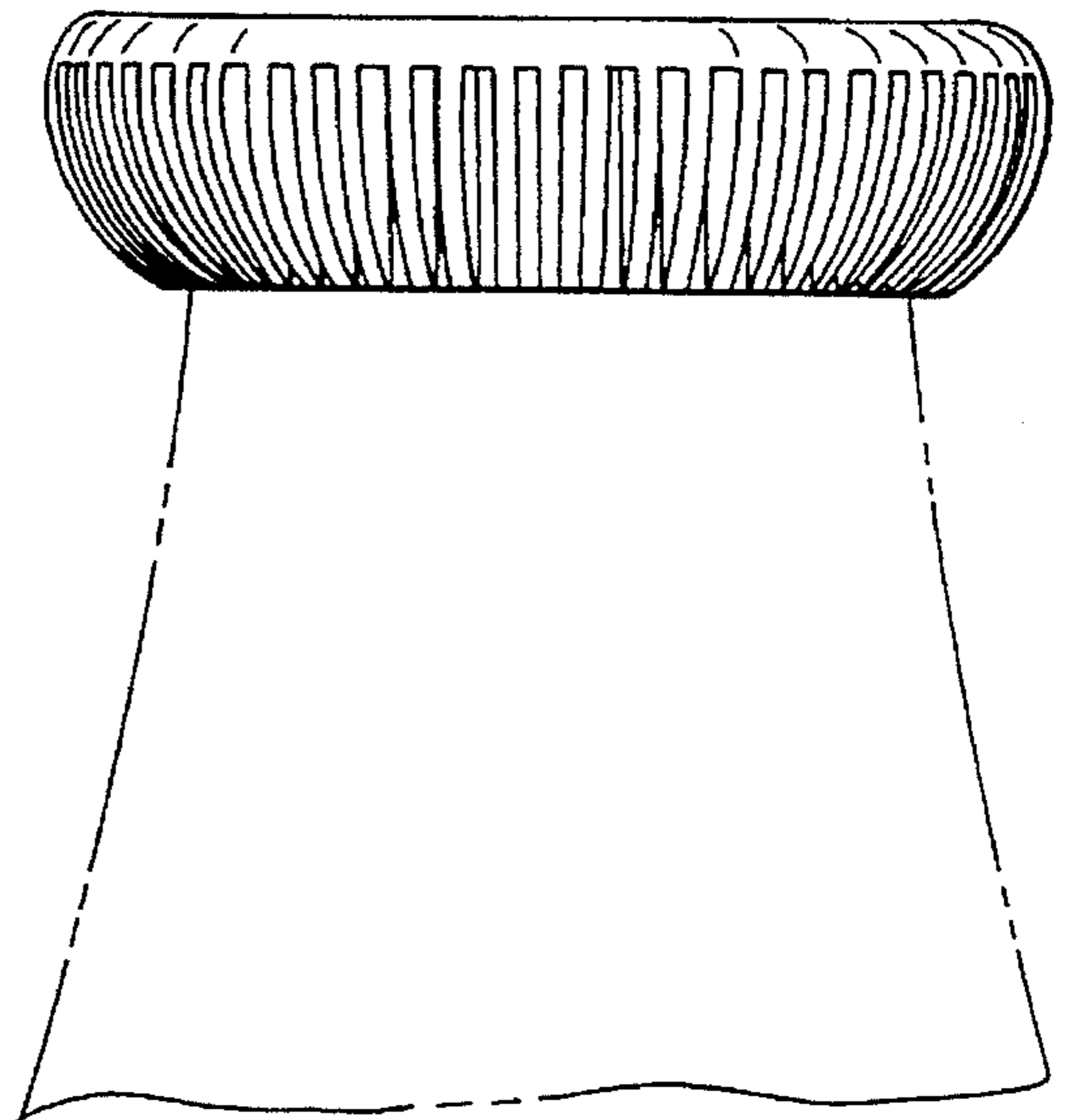


FIG. 3

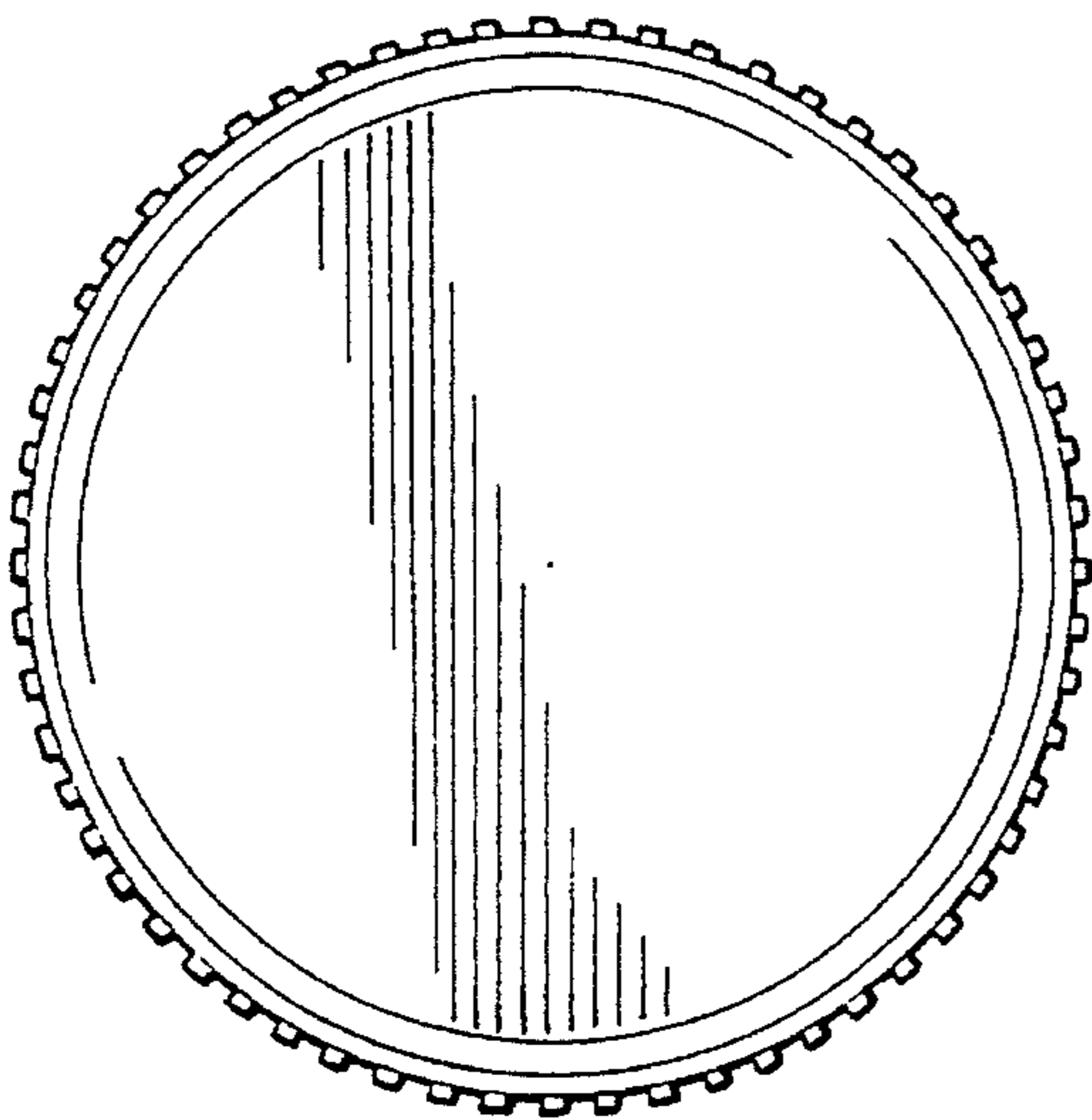
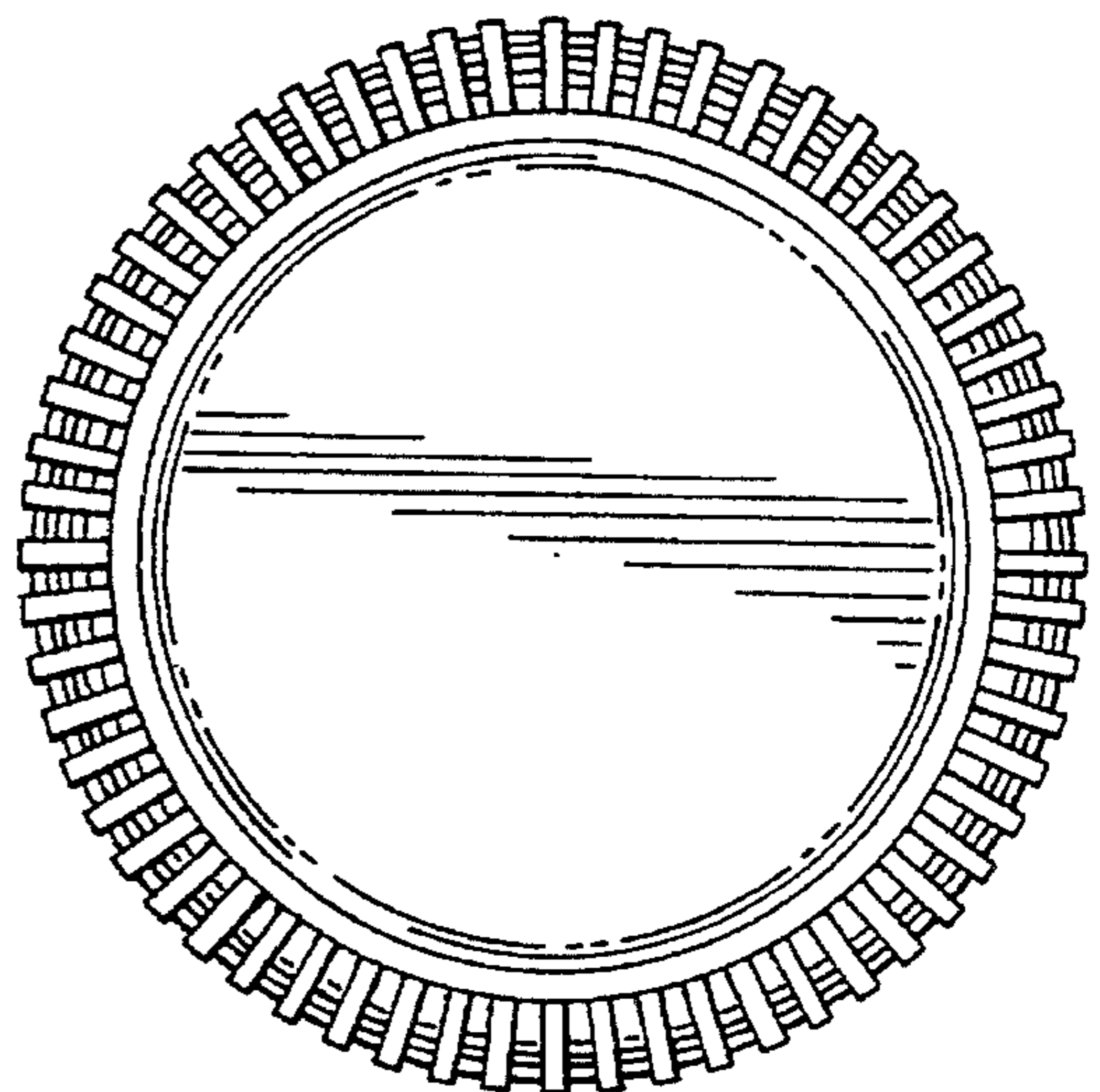


FIG. 4



**UNITED STATES PATENT AND TRADEMARK OFFICE**  
**Certificate**

Patent No. D. 369,748

Patented: May 14, 1996

On petition requesting issuance of a certificate for correction of inventorship pursuant to 35 U.S.C. 256, it has been found that the above identified patent, through error and without any deceptive intent, improperly sets forth the inventorship.

Accordingly, it is hereby certified that the correct inventorship of this patent is: Bridgett Zemlo, West Chicago; Len Ekkert, Lemont and Carl T. Eiten, Byron, all of Illinois.

Signed and Sealed this Eleventh Day of May, 1999.

**DORIS V. COLES**  
*Supervisory Patent Examiner*  
Art Unit 2913