



US00D369745S

**United States Patent** [19]  
**Kitazaki**

[11] **Patent Number: Des. 369,745**

[45] **Date of Patent: \*\*May 14, 1996**

[54] **CARRYING HANDLE**

[76] Inventor: **Brad M. Kitazaki**, 500 Dawes Road,  
Apt. 1220, Toronto, Ontario, Canada,  
M4B 2G1

[\*\*] Term: **14 Years**

[21] Appl. No.: **29,570**

[22] Filed: **Oct. 11, 1994**

[52] U.S. Cl. .... **D9/434**

[58] **Field of Search** ..... D3/315; D7/393;  
D8/300, 313, 315, 319-20; D9/434, 455,  
499; D34/28; 206/147, 149; 220/741, 769;  
383/6, 13, 15, 18, 22-3

[56] **References Cited**

**U.S. PATENT DOCUMENTS**

D. 266,488 10/1982 Marshall ..... D9/434  
D. 325,156 4/1992 Sweeny ..... D9/434

D. 325,509 4/1992 Cameron ..... D9/434  
3,381,883 5/1968 Harris ..... D9/434  
3,912,140 10/1975 Franges ..... 383/13  
4,932,702 6/1990 Sweeny ..... 383/13

*Primary Examiner*—Alan P. Douglas  
*Assistant Examiner*—Robert M. Spear

[57] **CLAIM**

The ornamental design for a carrying handle, as shown and described.

**DESCRIPTION**

FIG. 1 is a front elevational view of the carrying handle showing my new design;  
FIG. 2 is a rear elevational view thereof;  
FIG. 3 is a left side elevational view thereof;  
FIG. 4 is a right side elevational view thereof;  
FIG. 5 is a top plan view thereof; and,  
FIG. 6 is a bottom plan view thereof.

**1 Claim, 3 Drawing Sheets**

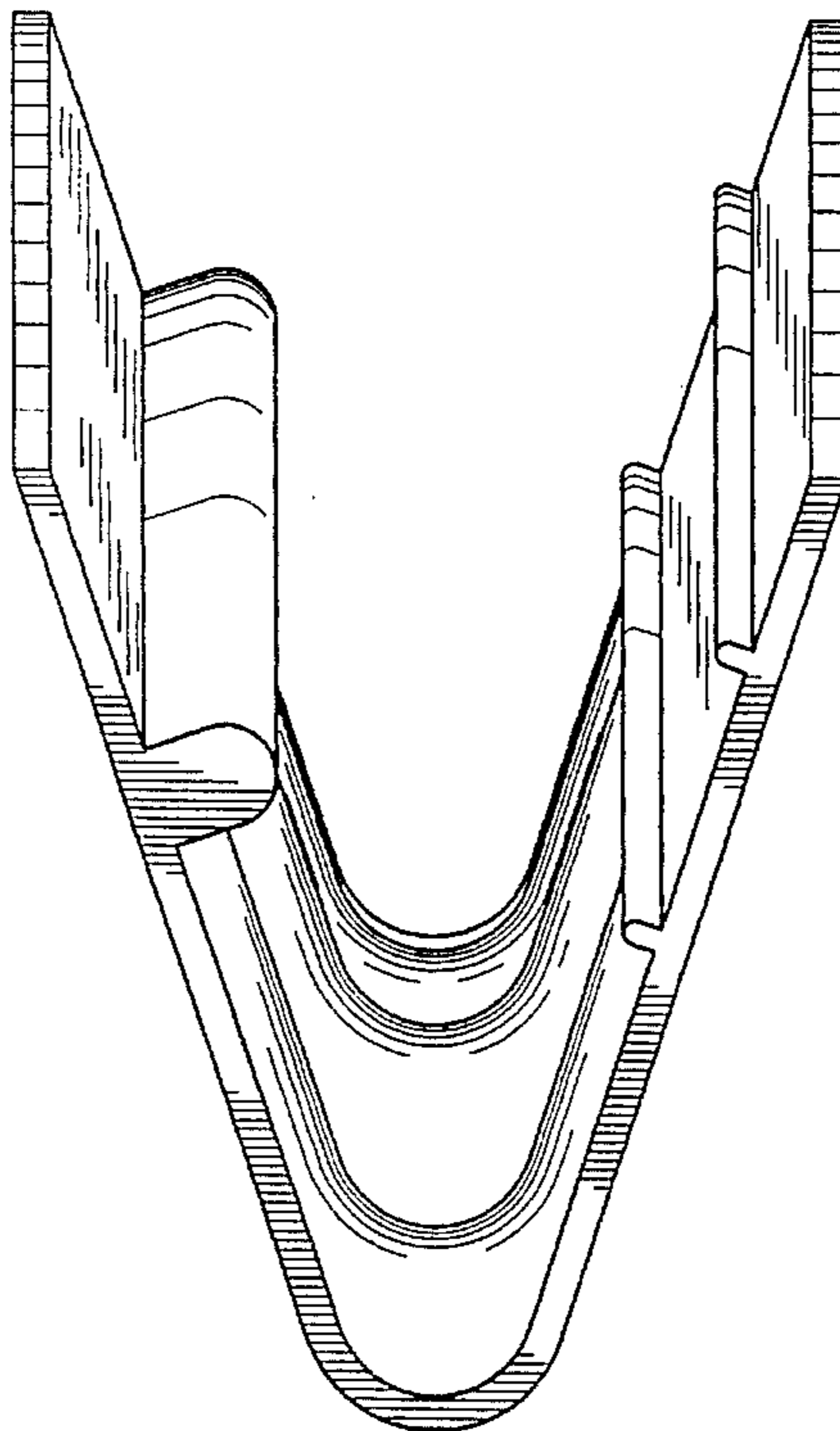
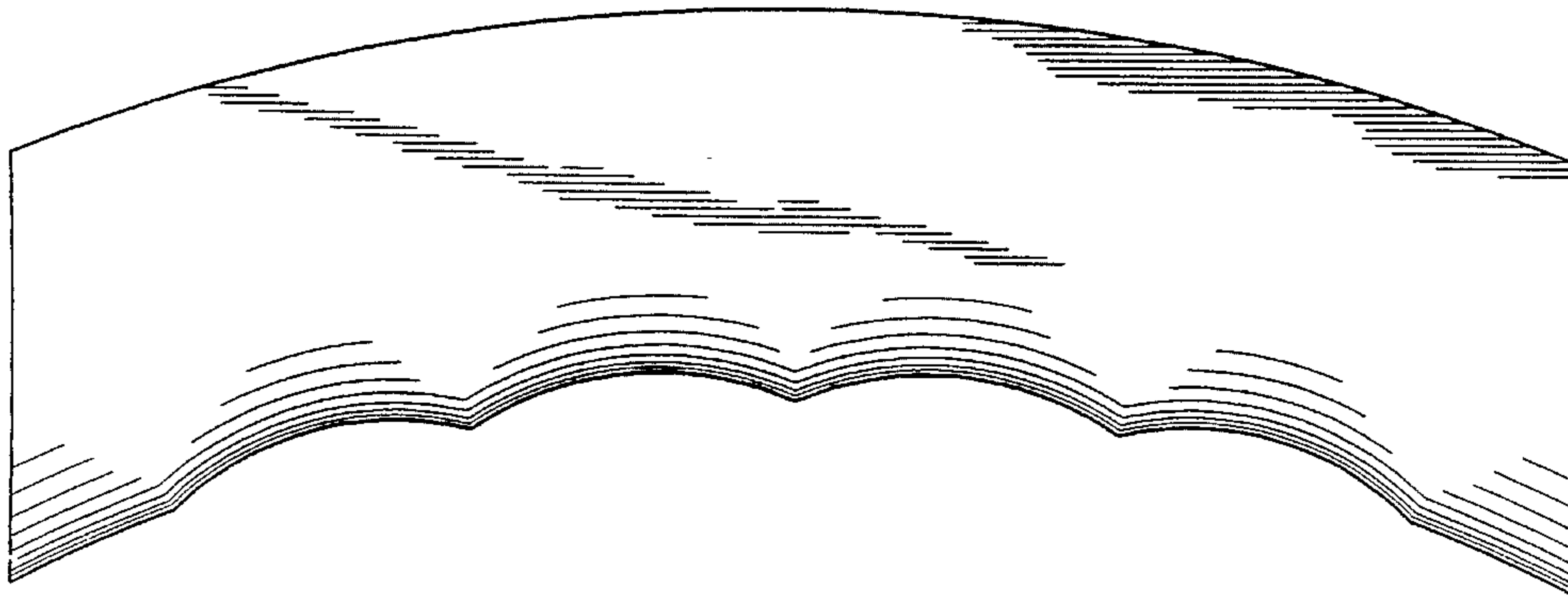


FIG. 1

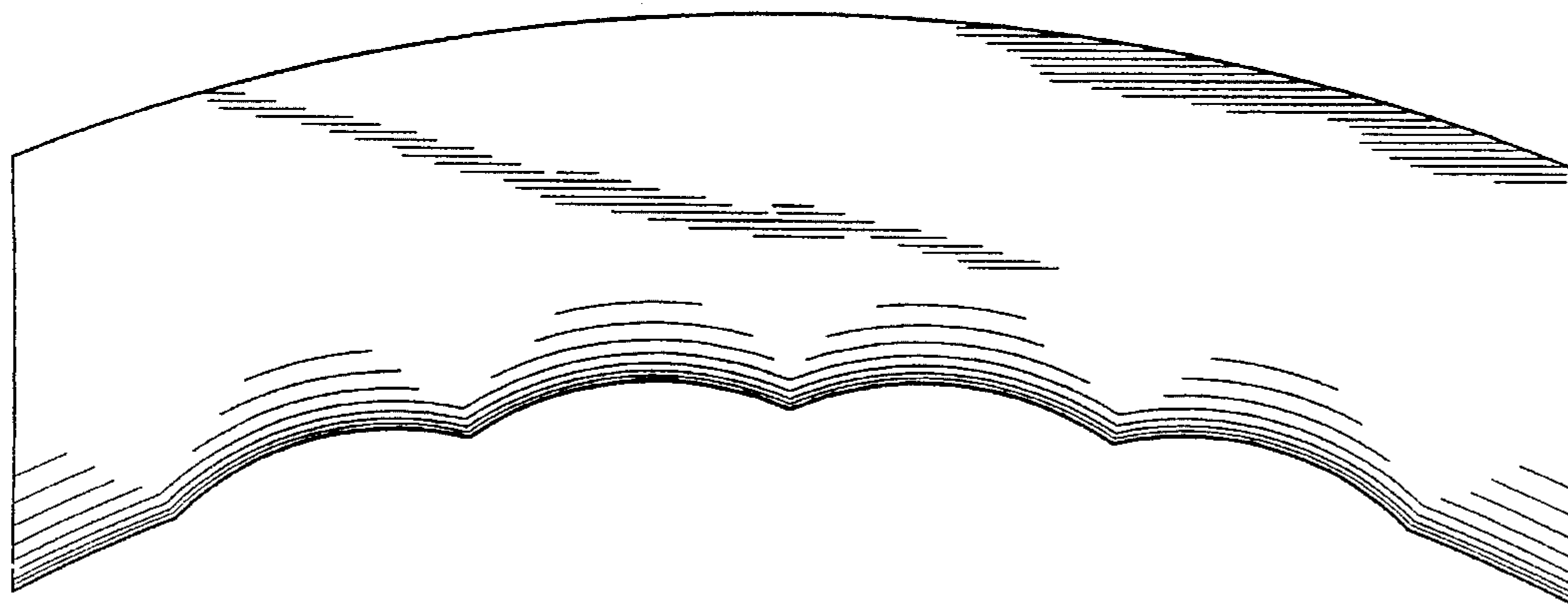


FIG. 2

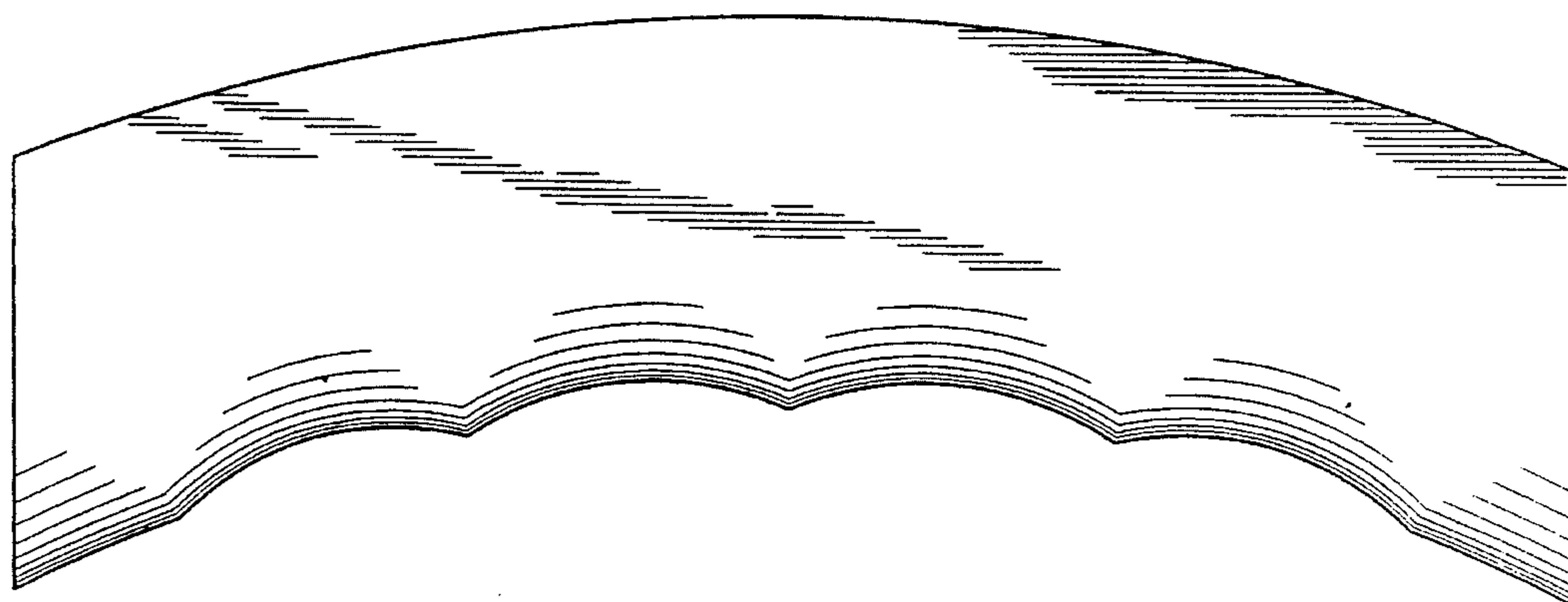


FIG. 3

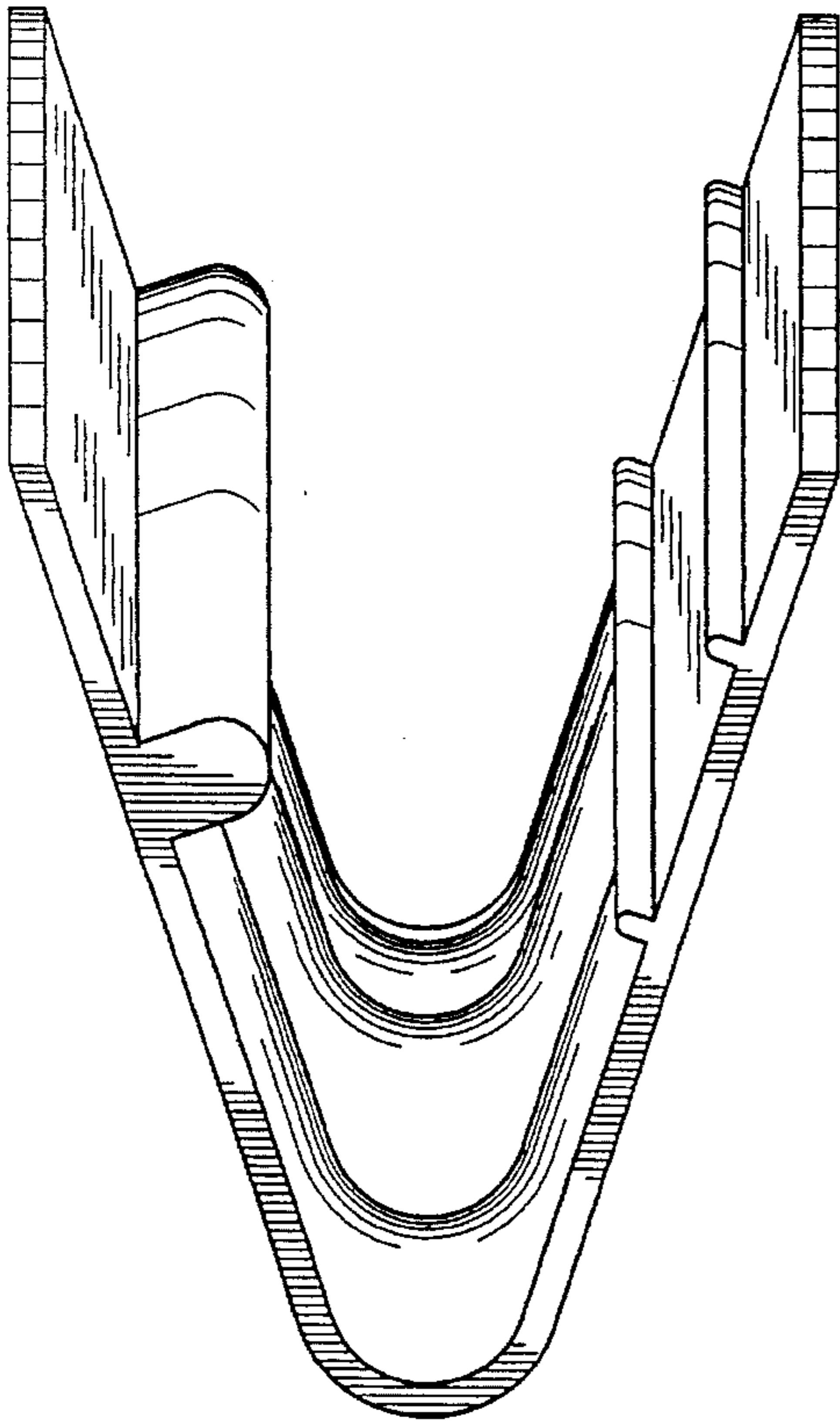


FIG. 4

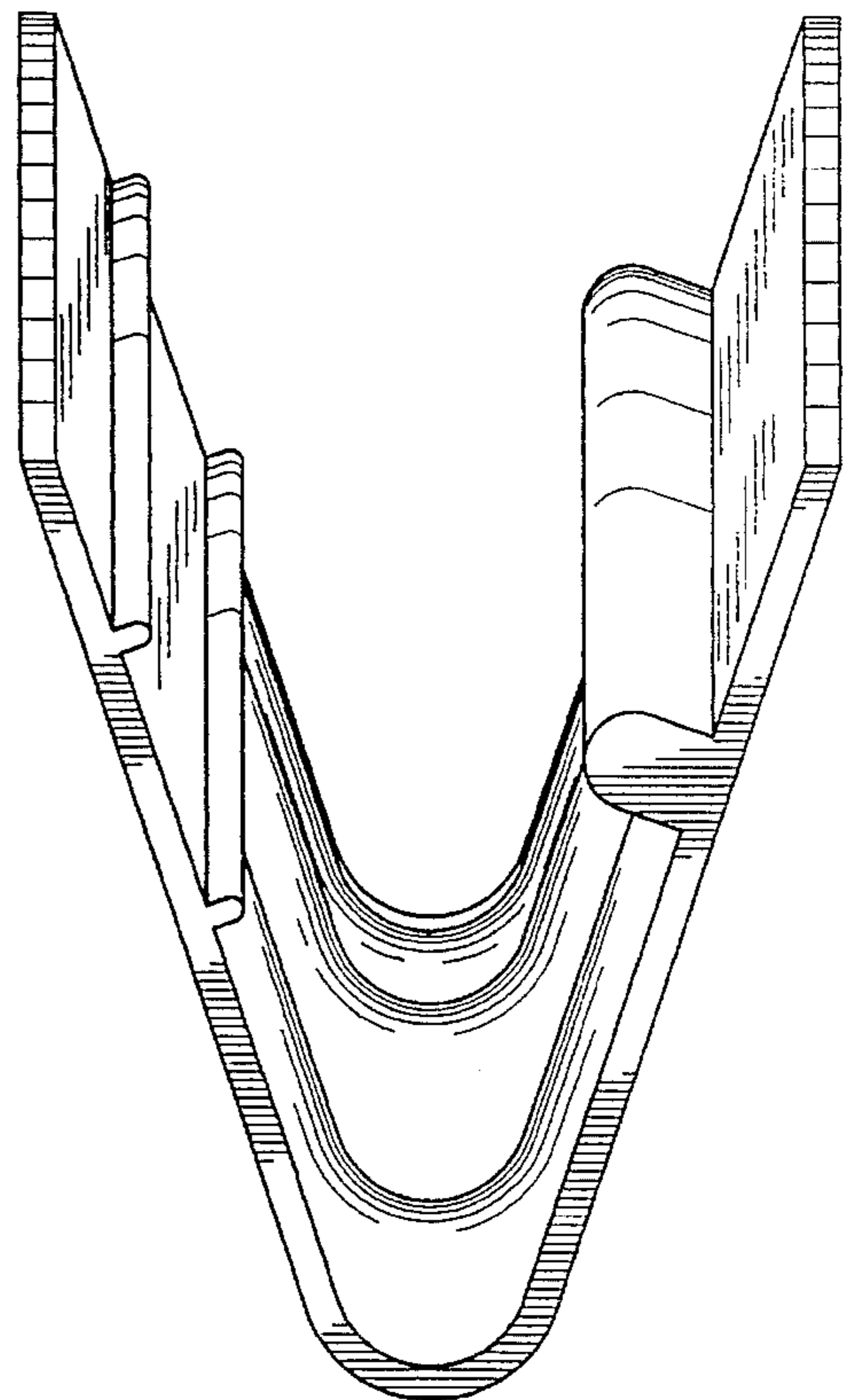


FIG. 5

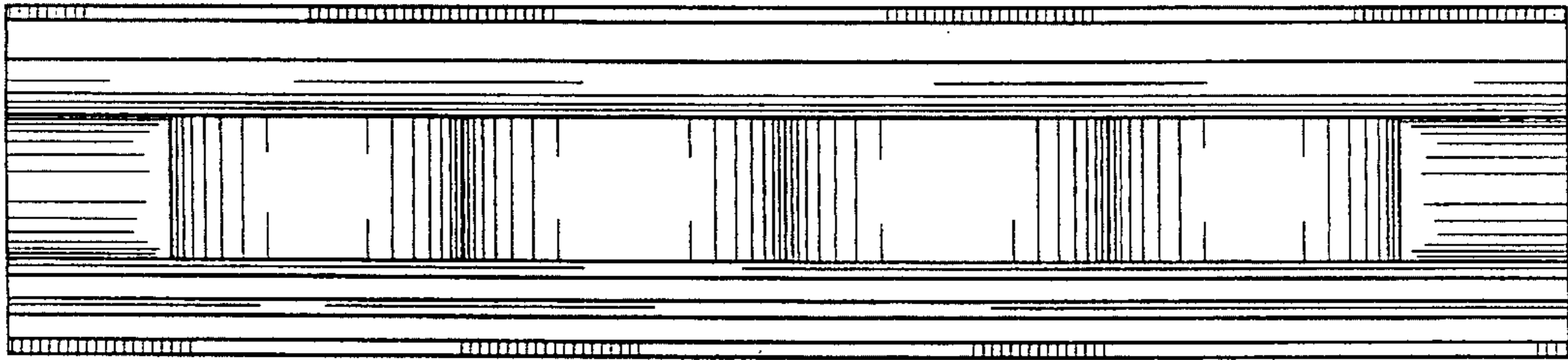


FIG. 6

