



US00D369739S

**United States Patent** [19]  
**Phillips**

[11] **Patent Number: Des. 369,739**

[45] **Date of Patent: \*\*May 14, 1996**

[54] **SUPPORT FOR ELONGATE MEMBERS**

D. 361,258 8/1995 Helman ..... D8/354  
5,351,920 10/1994 Decky et al. .... 248/74.1 X

[76] Inventor: **Raymond J. Phillips**, 13, Victoria Road, Alton, Hants GU34 2DH, United Kingdom

*Primary Examiner*—A. Hugo Word  
*Assistant Examiner*—Holly Baynham  
*Attorney, Agent, or Firm*—H. Jay Spiegel

[\*\*] Term: **14 Years**

[57] **CLAIM**

[21] Appl. No.: **37,524**

The ornamental design for a support for elongate members, as shown and described.

[22] Filed: **Apr. 17, 1995**

[30] **Foreign Application Priority Data**

**DESCRIPTION**

Oct. 18, 1994 [GB] United Kingdom ..... 2042658

FIG. 1 is a rear, top, left side perspective view of the support for elongate members;

[52] **U.S. Cl.** ..... **D8/396; D8/380**

FIG. 2 is a view from the left hand side with the right side being a mirror image;

[58] **Field of Search** ..... D8/380; 403/191, 403/88; 248/68.1, 74.1-74.4; 52/719, 686; 24/339

FIG. 3 is a view from the front; and,  
FIG. 4 is a view from above.

[56] **References Cited**

The undisclosed bottom plan view is planar and unornamented.

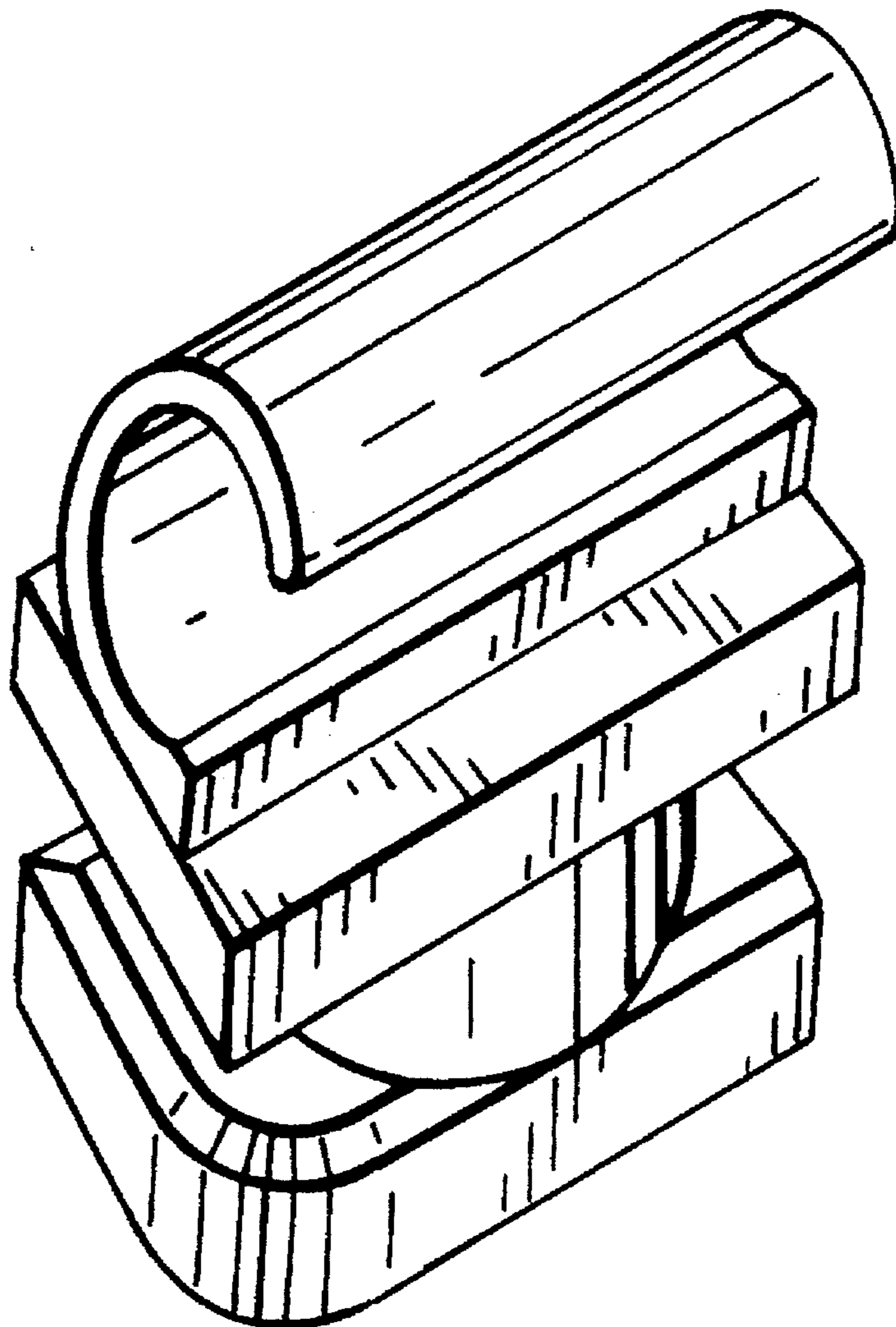
**U.S. PATENT DOCUMENTS**

The undisclosed rear view is unornamented.

D. 293,206 12/1987 Beaty et al. .... D8/395

D. 355,582 2/1995 Sleight ..... D8/354

**1 Claim, 1 Drawing Sheet**



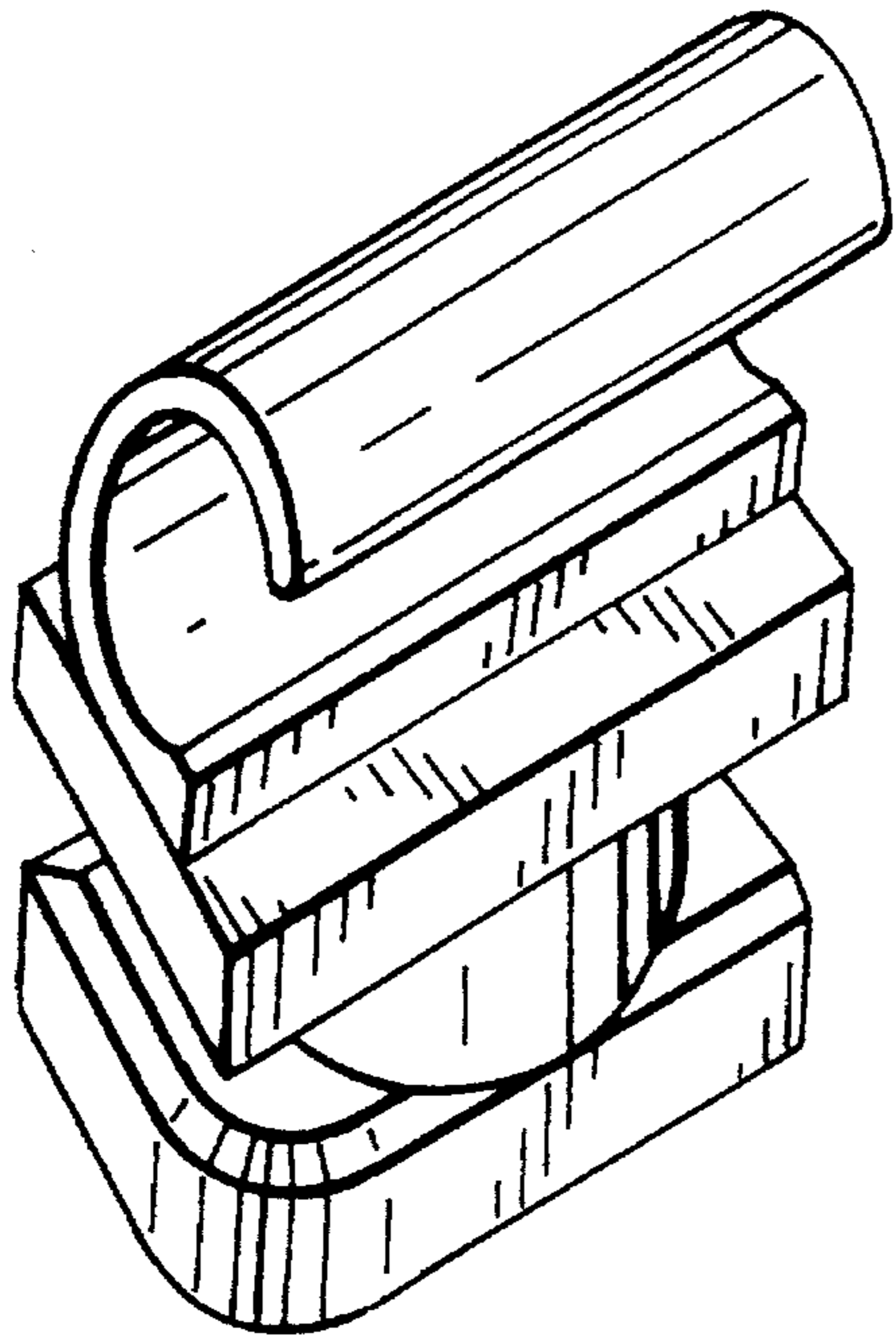


FIG. 1.

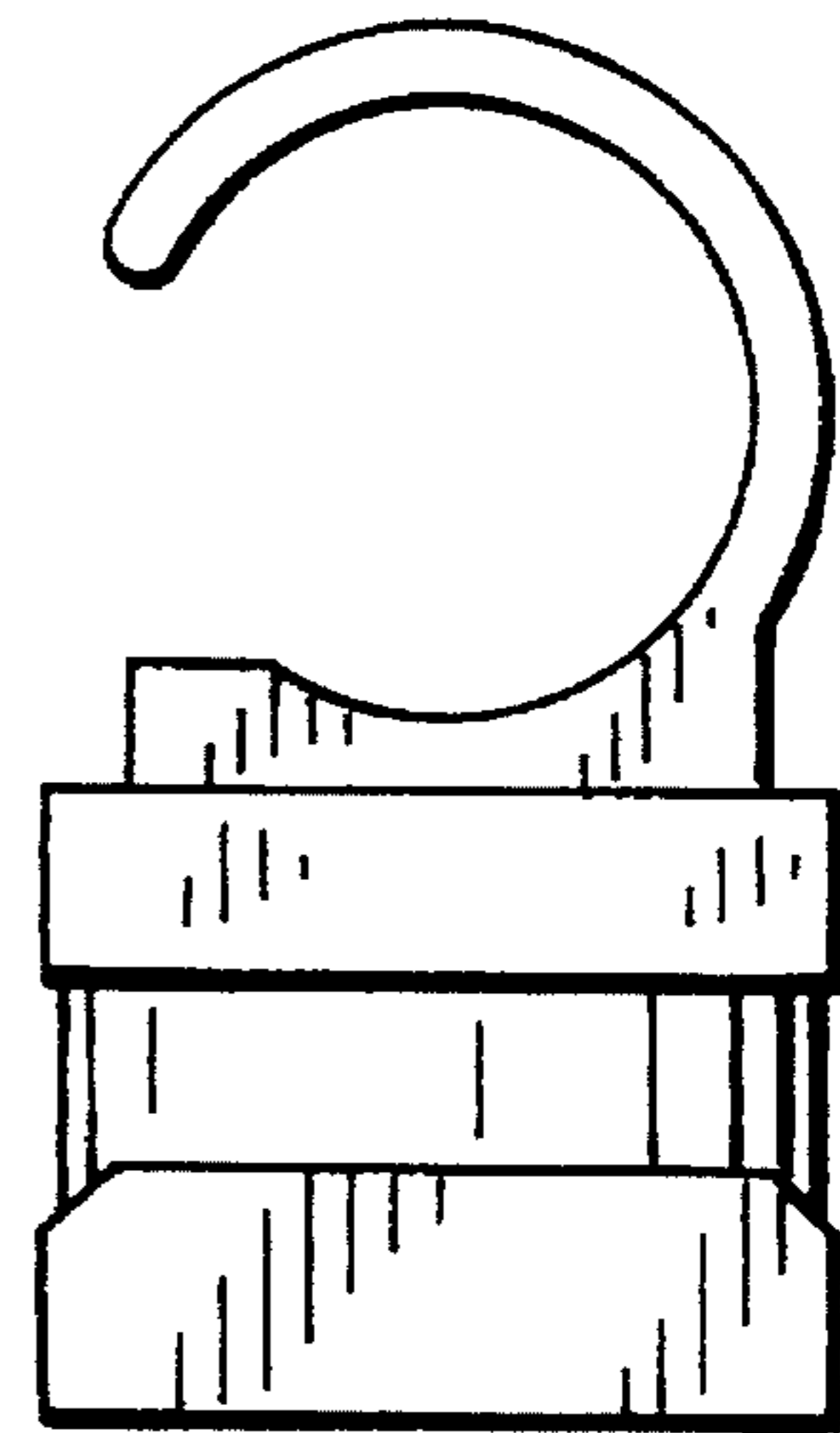


FIG. 2.

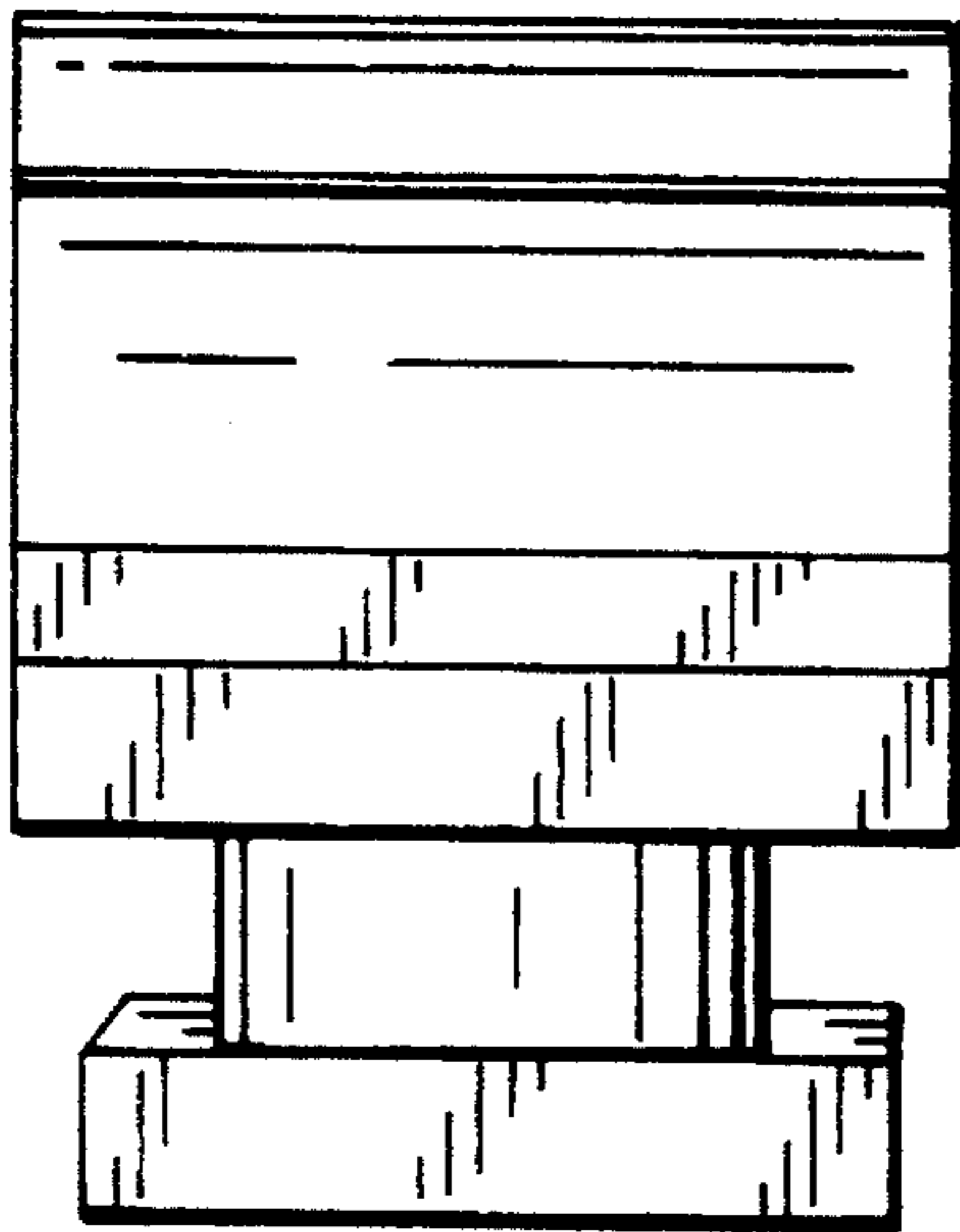


FIG. 3.

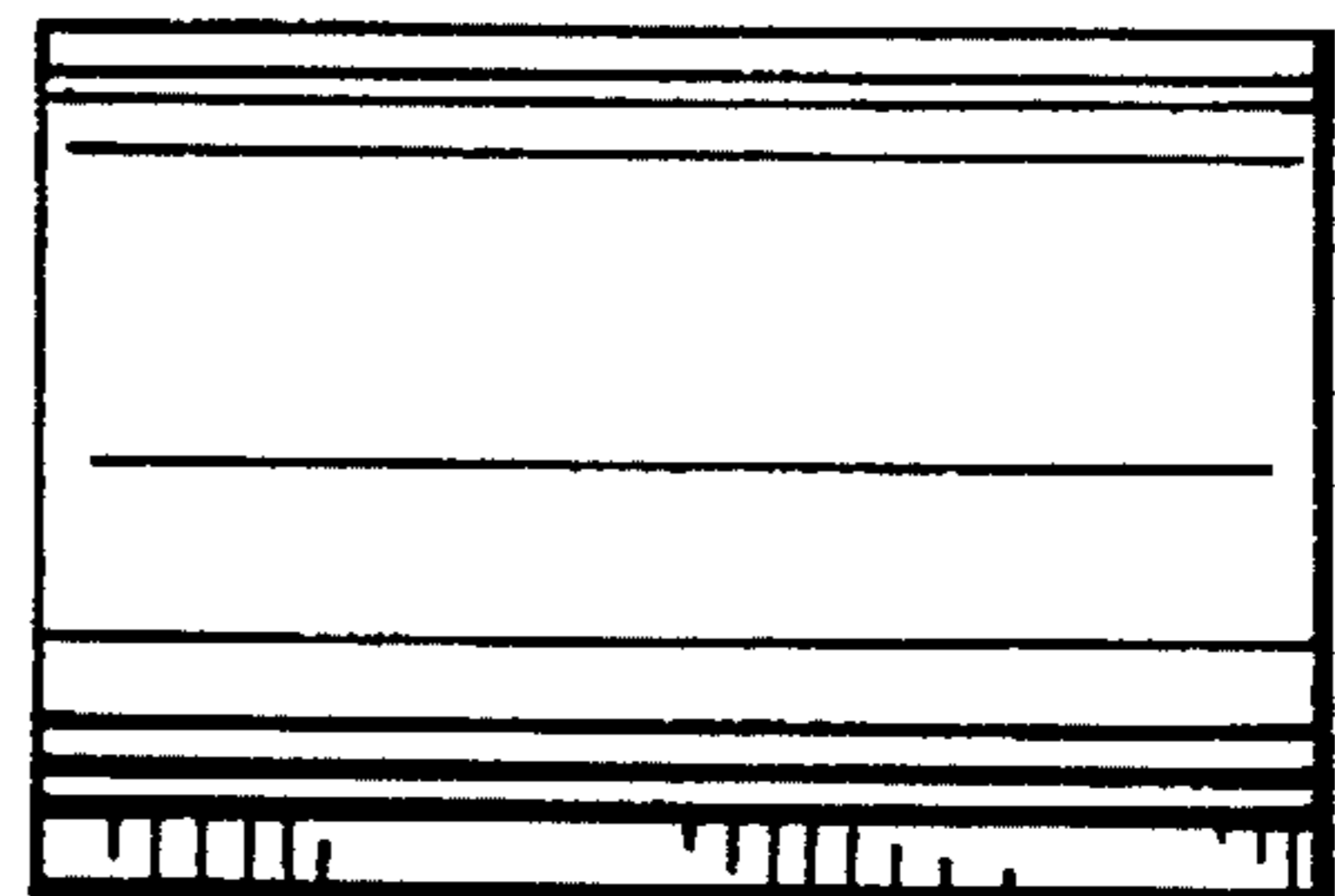


FIG. 4.