



US00D369734S

United States Patent [19] Sanger

[11] Patent Number: **Des. 369,734**

[45] Date of Patent: ****May 14, 1996**

[54] **HAMMER HEAD**

5,060,911 10/1991 Mikesell 254/26 E

[76] Inventor: **Edward W. Sanger**, 118 Fairview Ave.,
Frederick, Md. 21701

FOREIGN PATENT DOCUMENTS

44956 1/1919 Sweden 254/26 R

[**] Term: **14 Years**

OTHER PUBLICATIONS

[21] Appl. No.: **15,523**

Stanley Tools Catalog No. 34, 1971-1972, p. 45 Hammers.
True Temper Striking Tools Catalog, Feb. 7 1986, inside
front cover, Hammers.

[22] Filed: **Nov. 19, 1993**

[52] U.S. Cl. **D8/78; D8/79**

Primary Examiner—Philip S. Hyder

[58] Field of Search D8/75, 76, 77,
D8/78, 79; 81/20, 21, 22, 23, 24, 25, 26;
254/26 R, 26 E

Attorney, Agent, or Firm—Myers, Liniak & Berenato

[57] CLAIM

[56] References Cited

The ornamental design for a hammer head, as shown and
described.

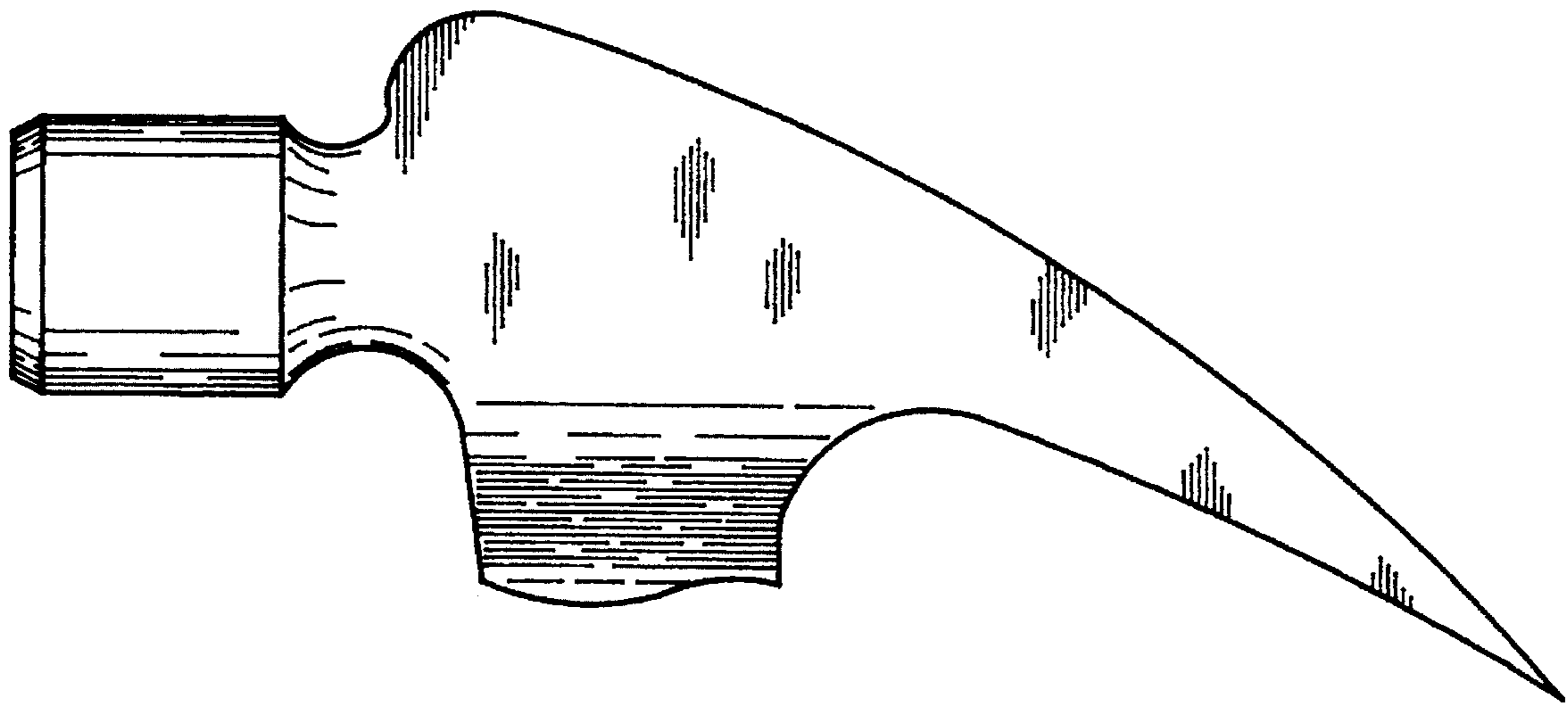
U.S. PATENT DOCUMENTS

DESCRIPTION

D. 289,729	5/1987	Porter	D8/75
619,608	2/1899	Penny	254/26 R
1,389,103	8/1921	Ryan	254/26 E
1,957,760	5/1934	Cownie	254/26 R
2,223,801	12/1940	Giroux	254/26 R
2,420,120	5/1947	Bruchsaler	254/26 R
2,741,456	4/1956	Williams	254/26 E
2,874,738	2/1959	Lay	81/20
4,290,583	9/1981	Lombardi	254/26 R
5,027,677	7/1991	Rallo	81/26

FIG. 1 is a top plan view of a hammer head showing my new
design;
FIG. 2 is a front elevational view thereof, the rear elevational
view being a mirror image;
FIG. 3 is a bottom plan view thereof;
FIG. 4 is a left side elevational view thereof; and,
FIG. 5 is a right side elevational view thereof.

1 Claim, 2 Drawing Sheets



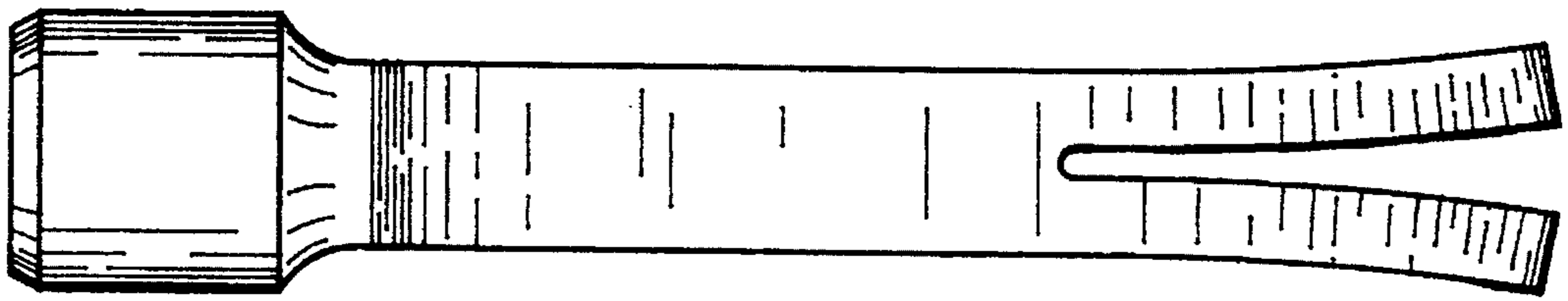


FIG. 1

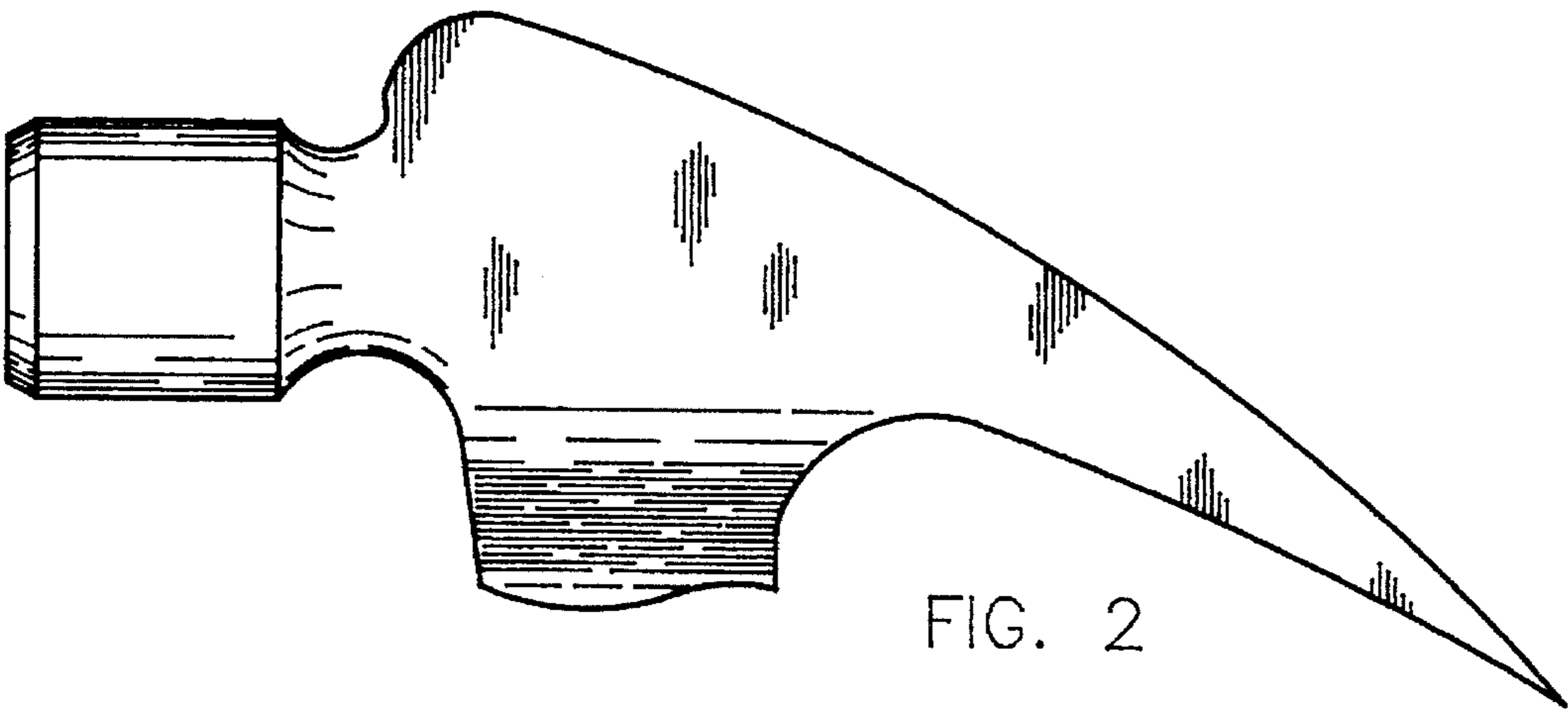


FIG. 2

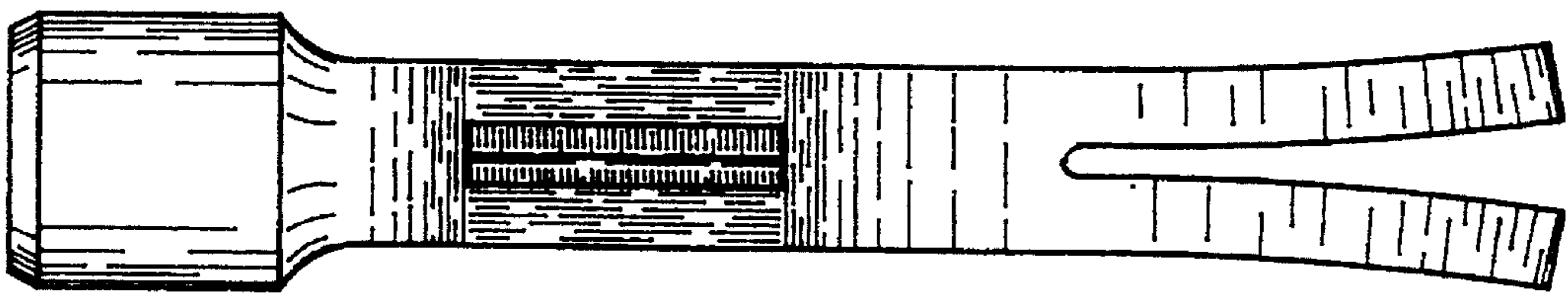


FIG. 3

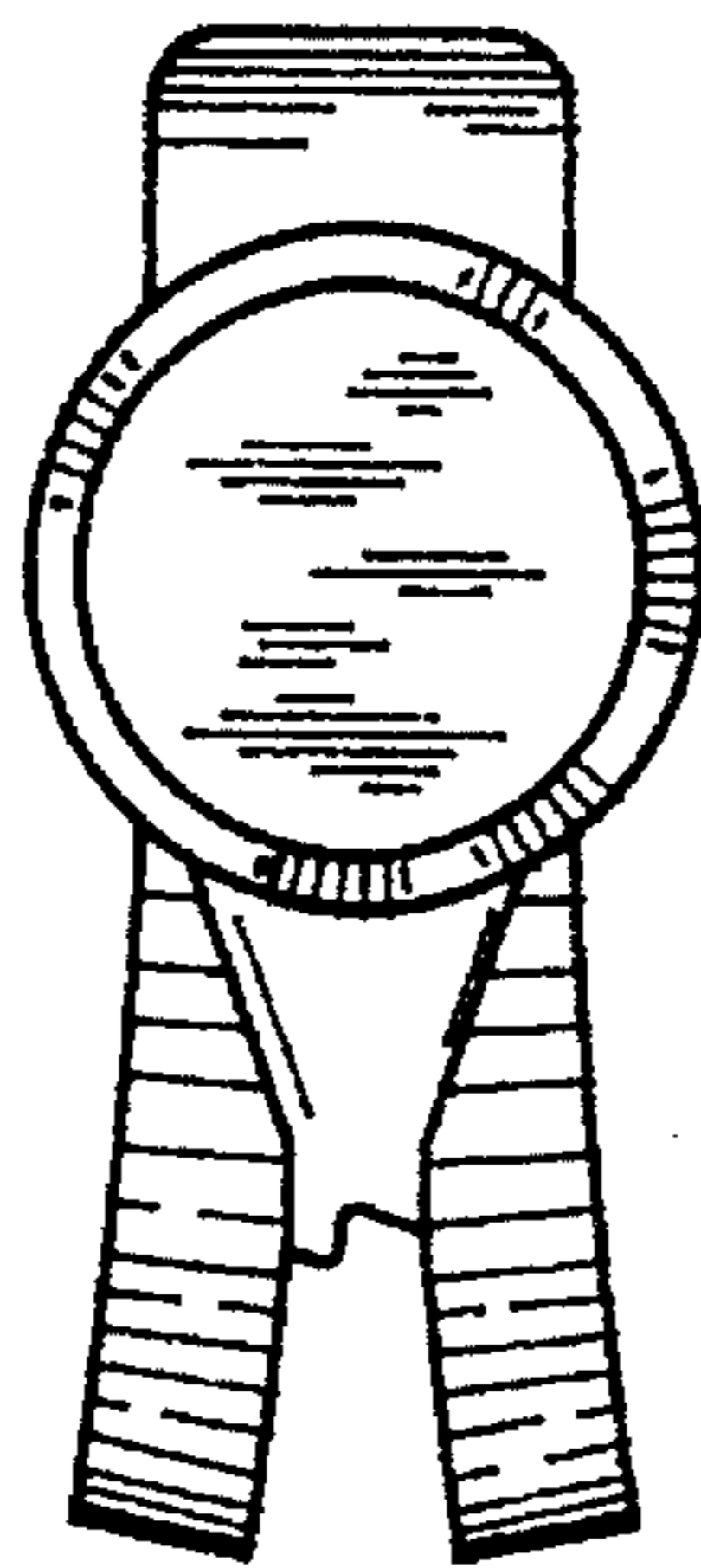


FIG. 4

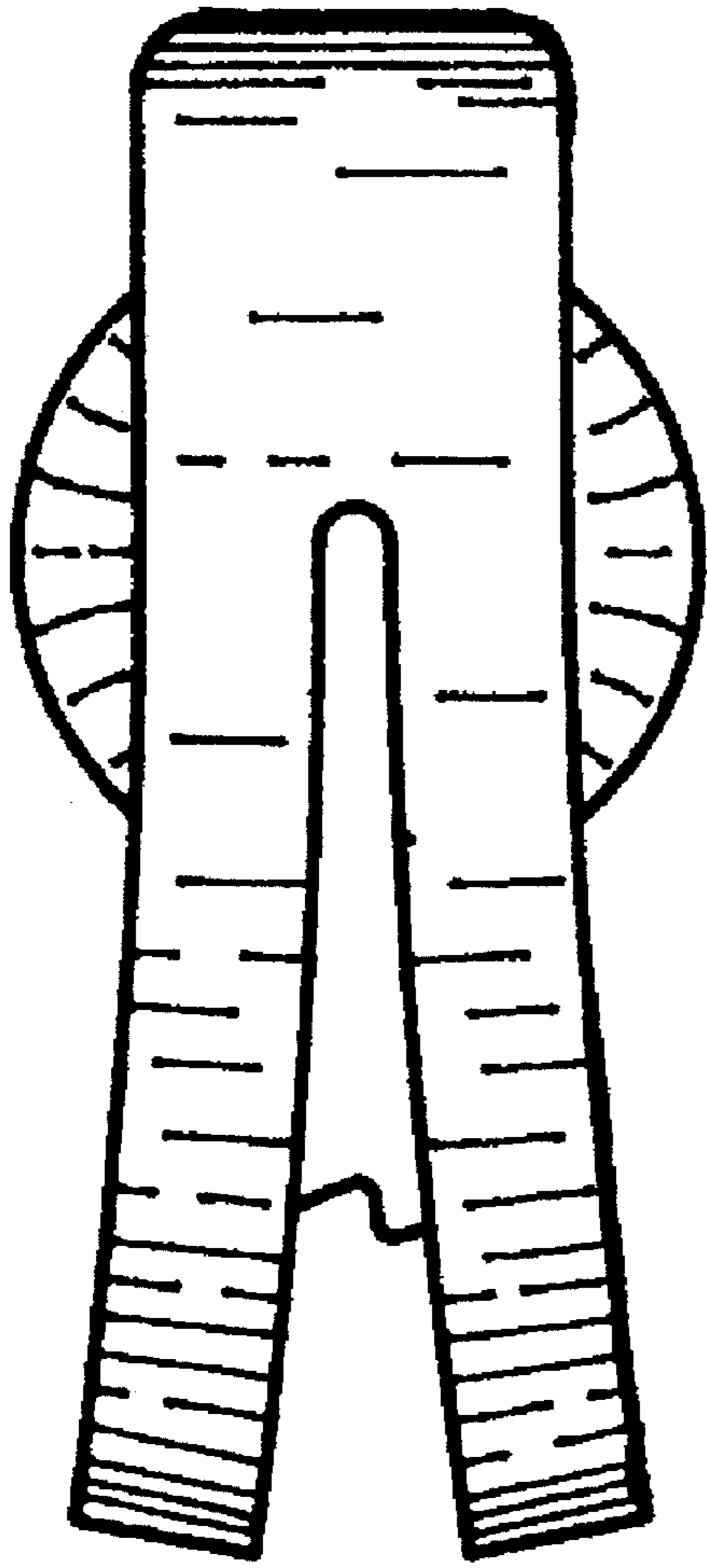


FIG. 5