



US00D369733S

United States Patent [19] Rosier

[11] Patent Number: **Des. 369,733**

[45] Date of Patent: ****May 14, 1996**

[54] BLIND RIVET INSTALLATION TOOL

[75] Inventor: **Hendrik E. Rosier**, Kingston, N.Y.

[73] Assignee: **Huck International, Inc.**, Kingston, N.Y.

[**] Term: **14 Years**

[21] Appl. No.: **28,188**

[22] Filed: **Sep. 8, 1994**

[52] U.S. Cl. **D8/68**

[58] Field of Search D8/29.1, 30, 61,
D8/68, 107; D15/122; 29/243.523, 243.525;
72/391.4, 391.6, 453.17; 81/53.2; 173/170

[56] References Cited

U.S. PATENT DOCUMENTS

3,375,883	4/1968	Schadlich	173/170
4,005,598	2/1977	Ehmann et al.	72/391
4,027,520	6/1977	Klein	72/391
4,275,583	6/1981	Gilbert et al.	29/243.525
4,281,531	8/1981	Ehmann et al.	72/391
4,515,005	5/1985	Klein	72/391
4,517,820	5/1985	Oefinger et al.	29/243.525
4,598,571	7/1986	Oefinger	29/243.525
4,612,793	9/1986	Klein	72/311
4,887,450	12/1989	Gast et al.	29/243.523
4,888,974	12/1989	Mandell	29/243.523
4,964,292	10/1990	Kaelin et al.	72/453.17
5,146,773	9/1992	Rosier	72/391.4
5,351,379	10/1994	Chu	29/243.525

OTHER PUBLICATIONS

PRG 510 All-Pneumatic "Pop"-Riveter Bulletin SL-189, USM Fastener Company, ©1967.

GESIPA Blindniettechnik GmbH, *GESIPA—Blind Riveting Tool PH 2*, Service Instruction and Spare Part List, (Jul. 1987).

GESIPA Blindniettechnik GmbH, *Vacuum Absorption System for Blind Riveting Power Tools PH 1 and PH 2*, Operating and Service Instructions with Spare Parts List, (no date).

Lobtex Co., Ltd., *New Lobster Vacuum Unit*, Product Brochure and Installation Instructions, (no date).

Primary Examiner—Alan P. Douglas
Assistant Examiner—Robert M. Spear
Attorney, Agent, or Firm—Madson & Metcalf

[57] CLAIM

The ornamental design for a blind rivet installation tool, as shown and described.

DESCRIPTION

FIG. 1 is a perspective view of a blind rivet installation tool showing my new design;

FIG. 2 is a left side plan view of a blind rivet installation tool showing my new design;

FIG. 3 is a right side plan view thereof;

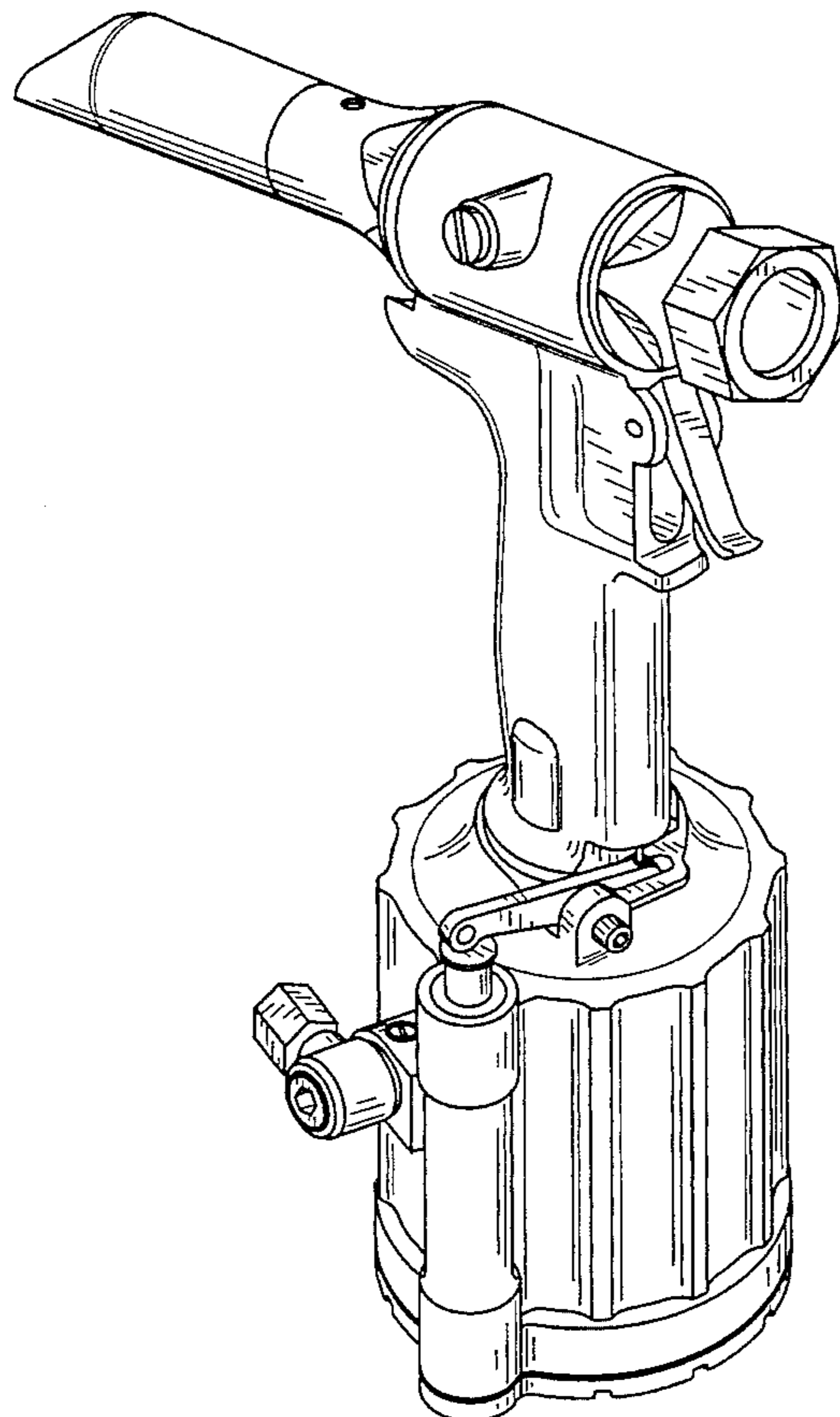
FIG. 4 is a front plan view thereof;

FIG. 5 is a rear plan view thereof;

FIG. 6 is a top plan view thereof; and,

FIG. 7 is a bottom plan view thereof.

1 Claim, 7 Drawing Sheets



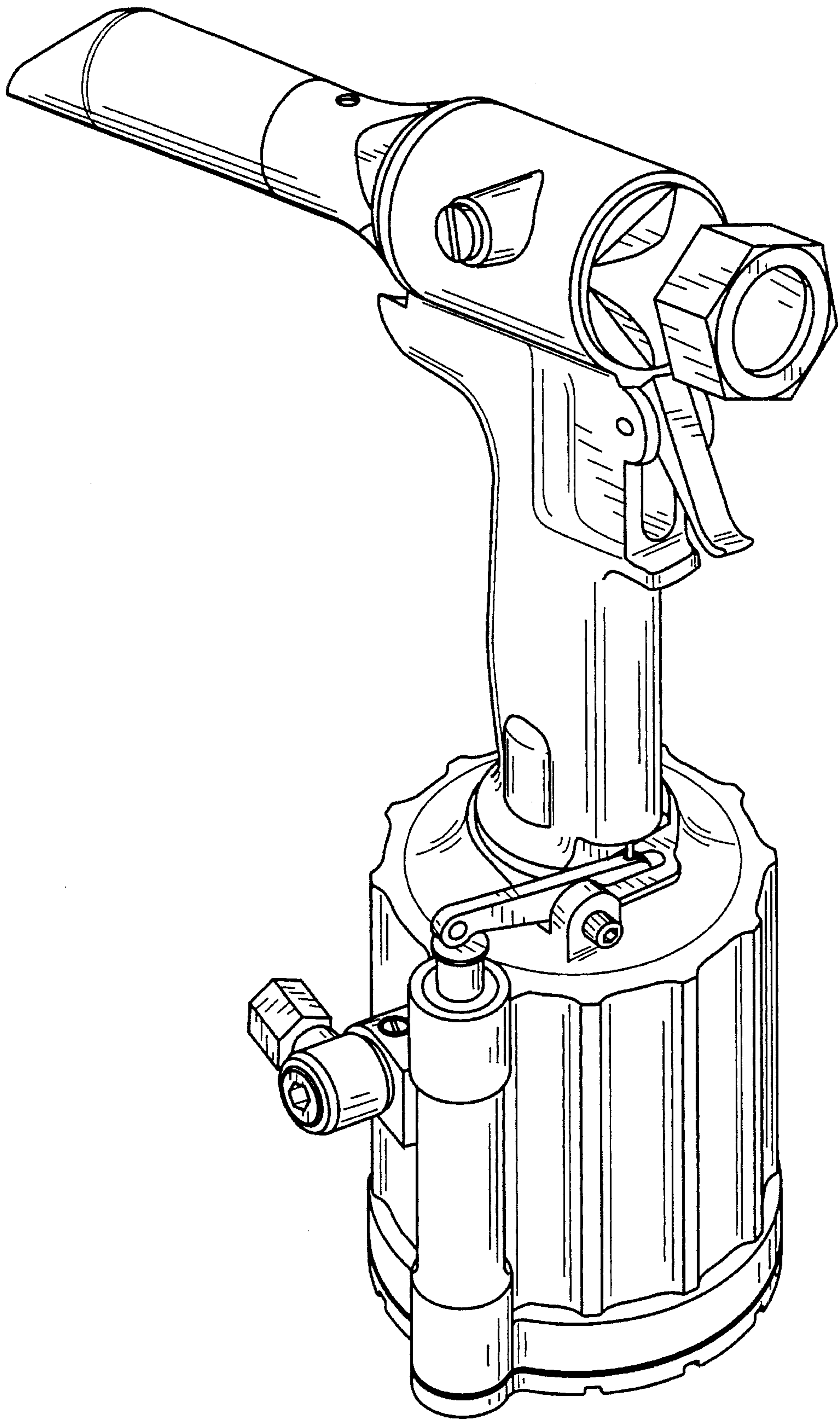


Fig. 1

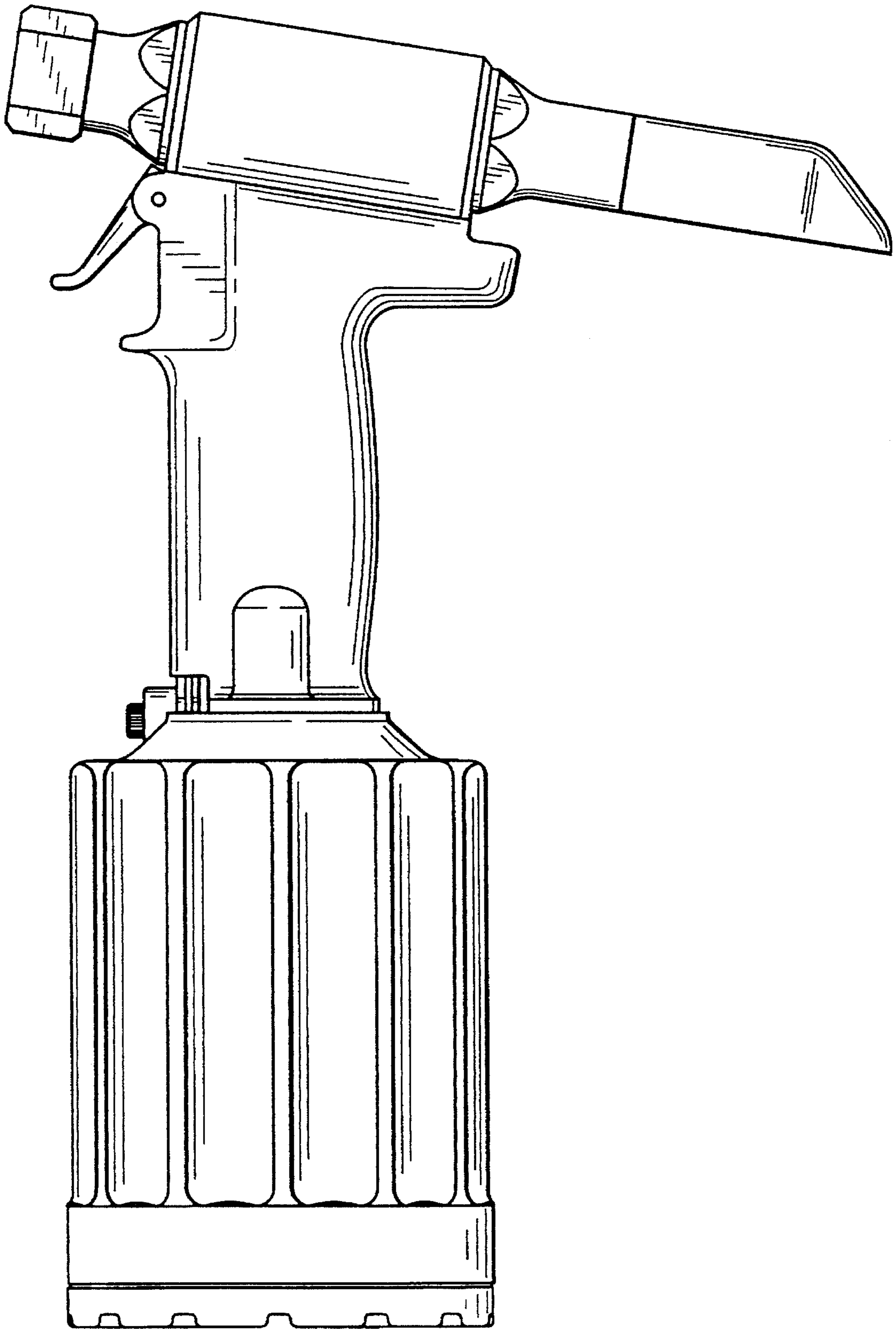


Fig. 2

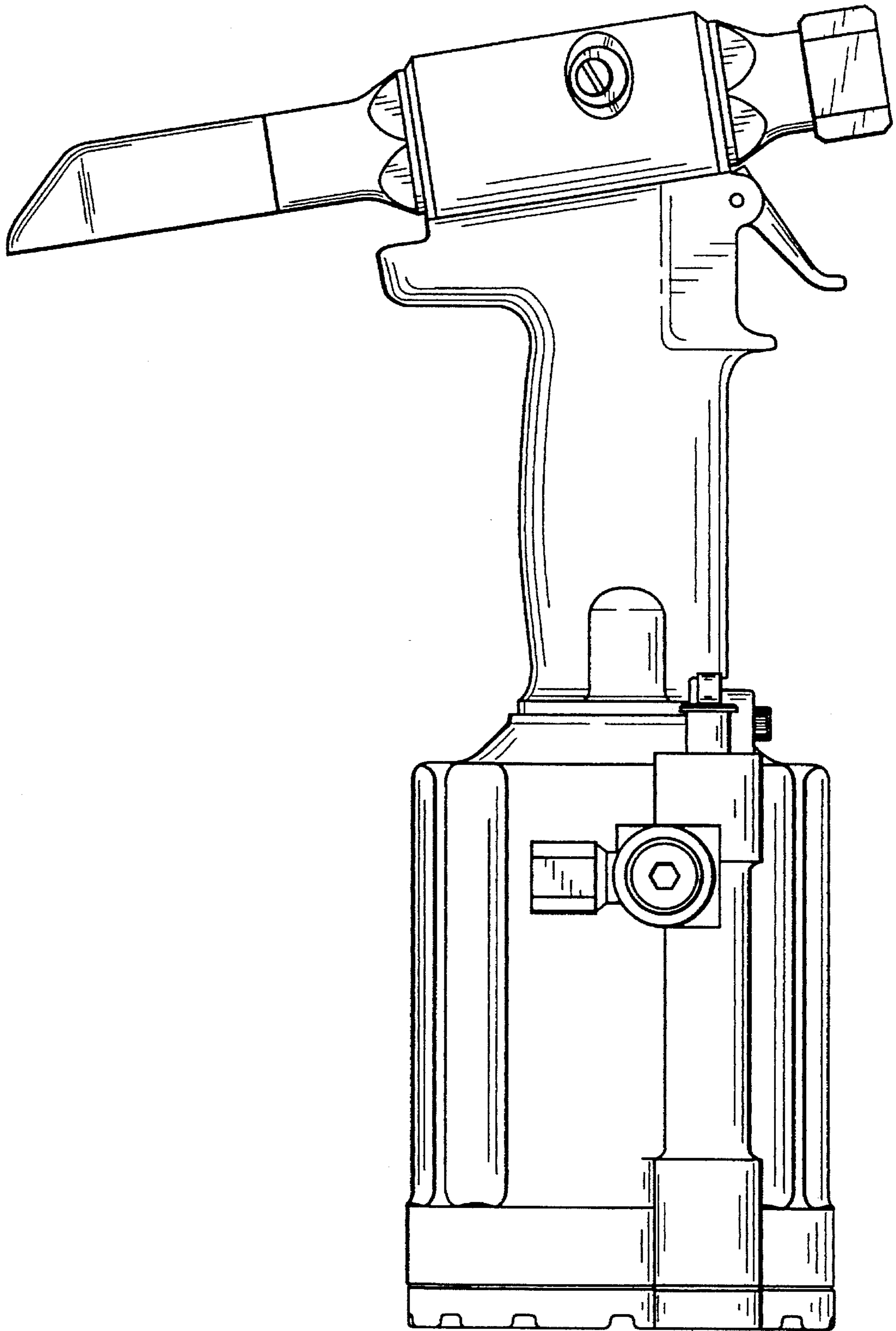


Fig. 3

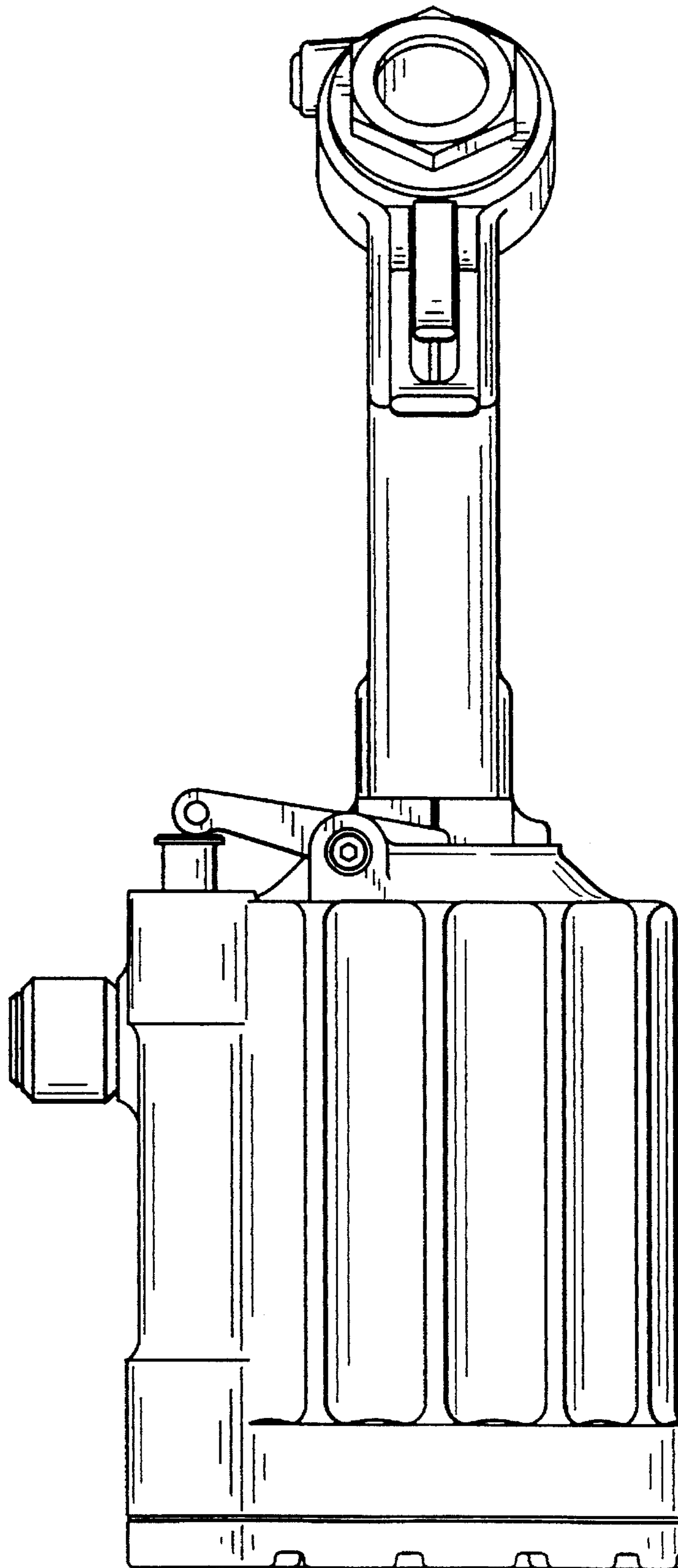


Fig. 4

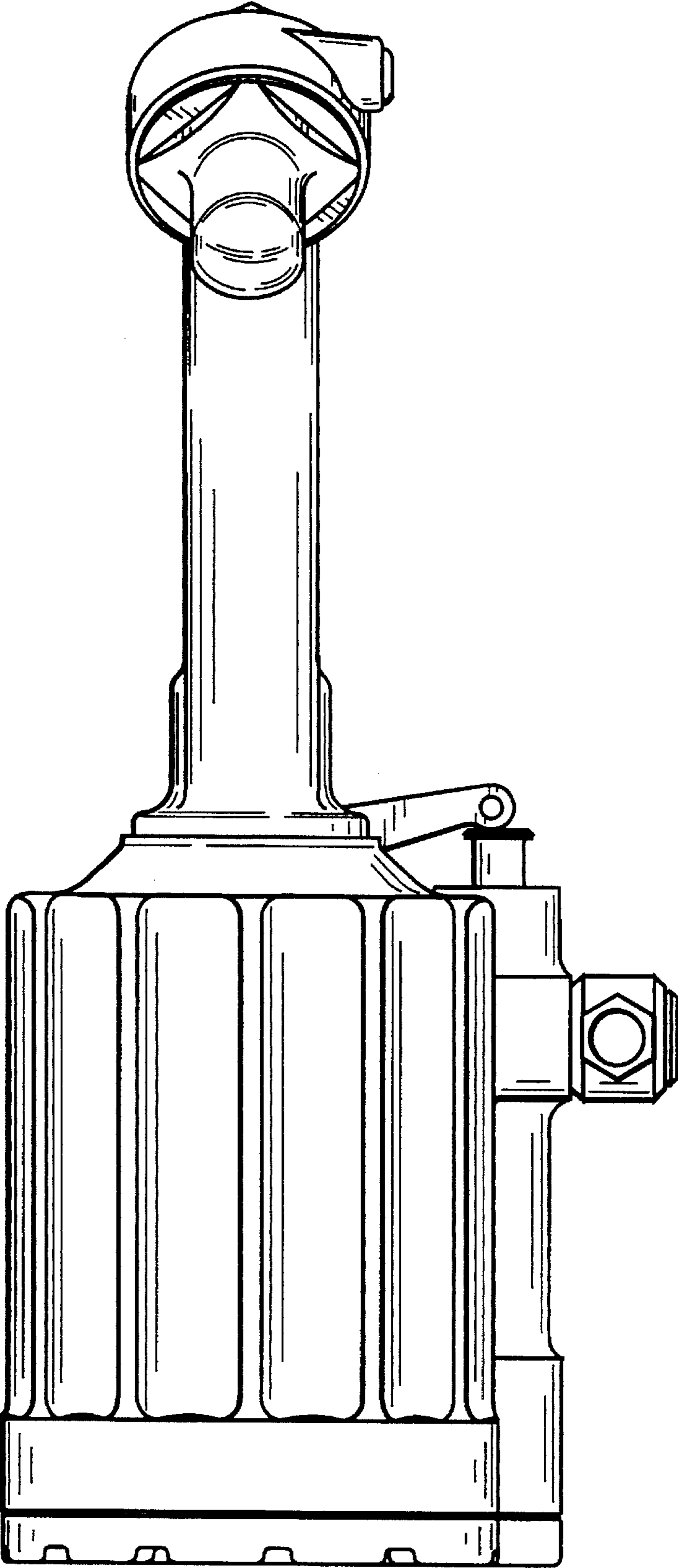


Fig. 5

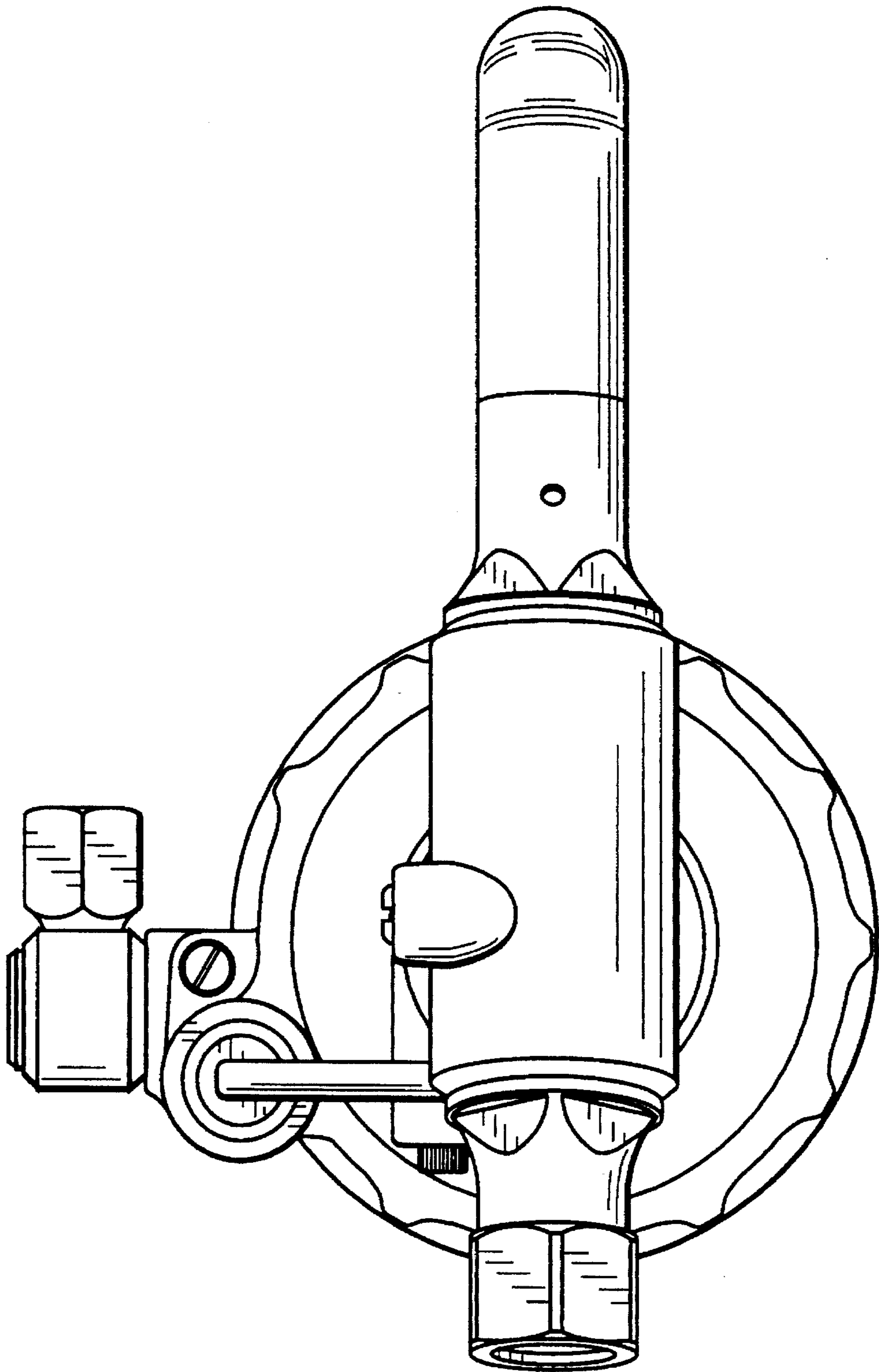


Fig. 6

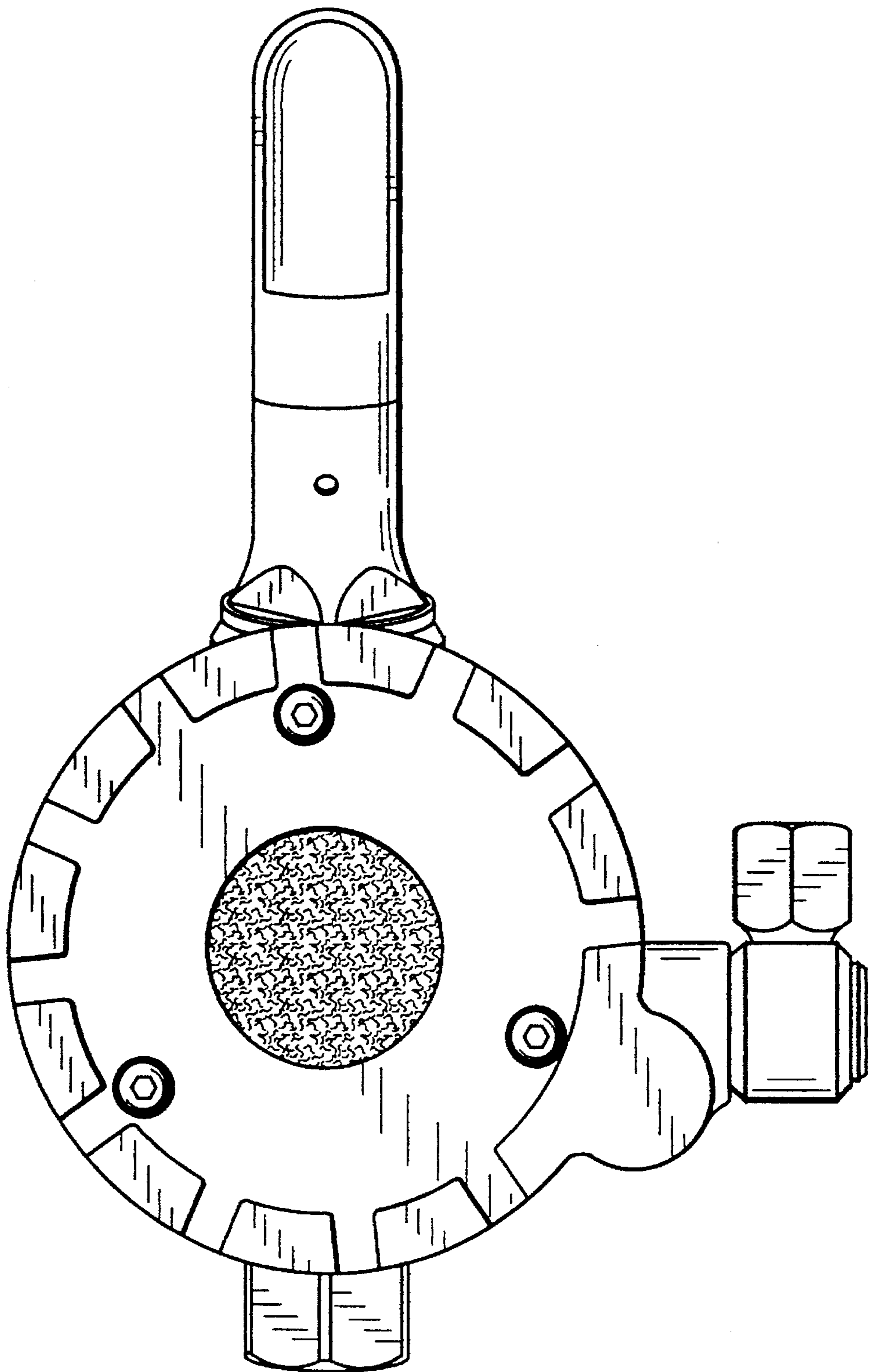


Fig. 7