



US00D369726S

United States Patent [19]

Wan

[11] Patent Number: Des. 369,726

[45] Date of Patent: **May 14, 1996

[54] **COMBINED GRATER AND DISPENSER**

[75] Inventor: **Albert Y. K. Wan**, Hong Kong, Hong Kong

[73] Assignee: **Supreme Plastic Manufacturing Co. Ltd.**, Kwai Chung, Hong Kong

[**] Term: **14 Years**

[21] Appl. No.: **38,881**

[22] Filed: **May 15, 1995**

[30] **Foreign Application Priority Data**

Jan. 4, 1995 [GB] United Kingdom 2044254

[52] U.S. Cl. **D7/678**

[58] Field of Search D7/381, 669, 678;
241/95, 100, 168, 273.1-273.4

[56] **References Cited**

U.S. PATENT DOCUMENTS

D. 330,316 10/1992 So D7/678
2,714,908 8/1955 Carmack 241/95

4,928,893 5/1990 Prindle 241/95

Primary Examiner—Terry A. Wallace
Attorney, Agent, or Firm—Smith-Hill and Bedell

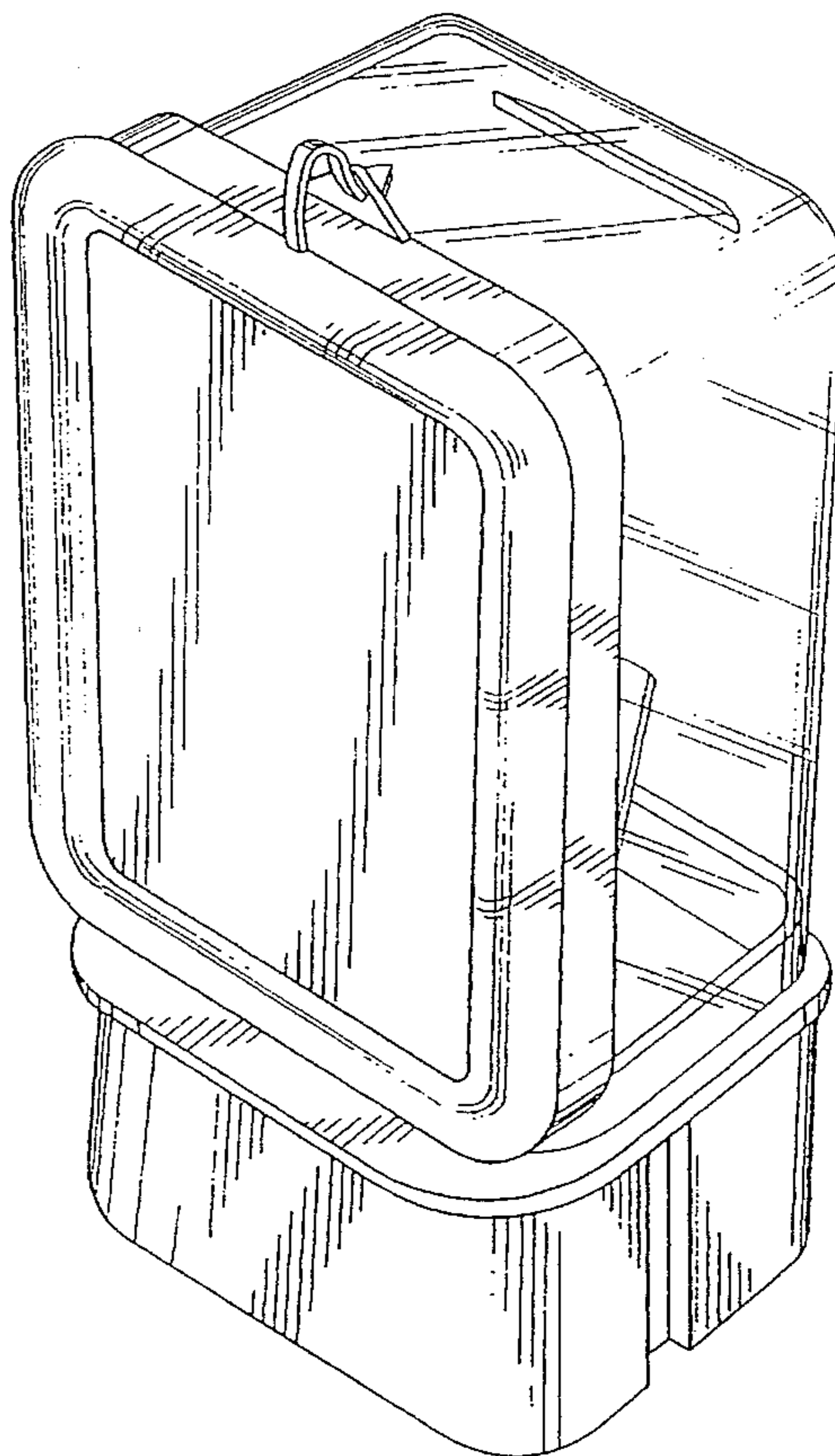
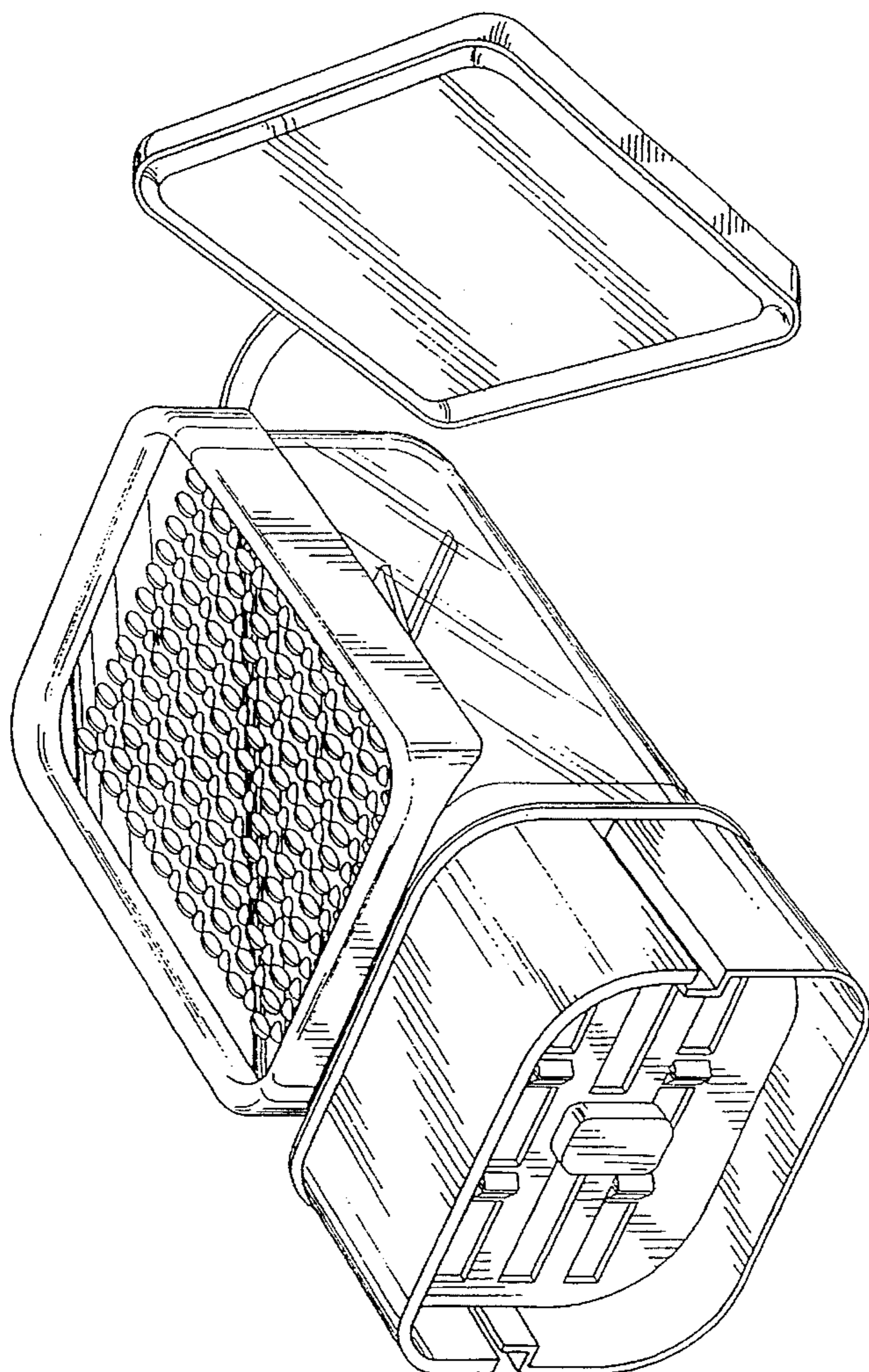
[57] **CLAIM**

The ornamental design for a combined grater and dispenser, as shown and described.

DESCRIPTION

FIG. 1 is a perspective view of a combined grater and dispenser showing my new design;
FIG. 2 is a top plan view thereof with the lid removed for clarity of illustration;
FIG. 3 is a right side elevation view of FIG. 2;
FIG. 4 is a left side elevation view of FIG. 2;
FIG. 5 is a bottom plan view of FIG. 2;
FIG. 6 is a top plan view thereof with the lid fitted;
FIG. 7 is a left side view of FIG. 6;
FIG. 8 is a left side view thereof with the lid slightly open;
FIG. 9 is a front elevation view of FIG. 2;
FIG. 10 is a rear elevation view of FIG. 2; and,
FIG. 11 is a perspective view thereof with the lid fitted.

1 Claim, 6 Drawing Sheets



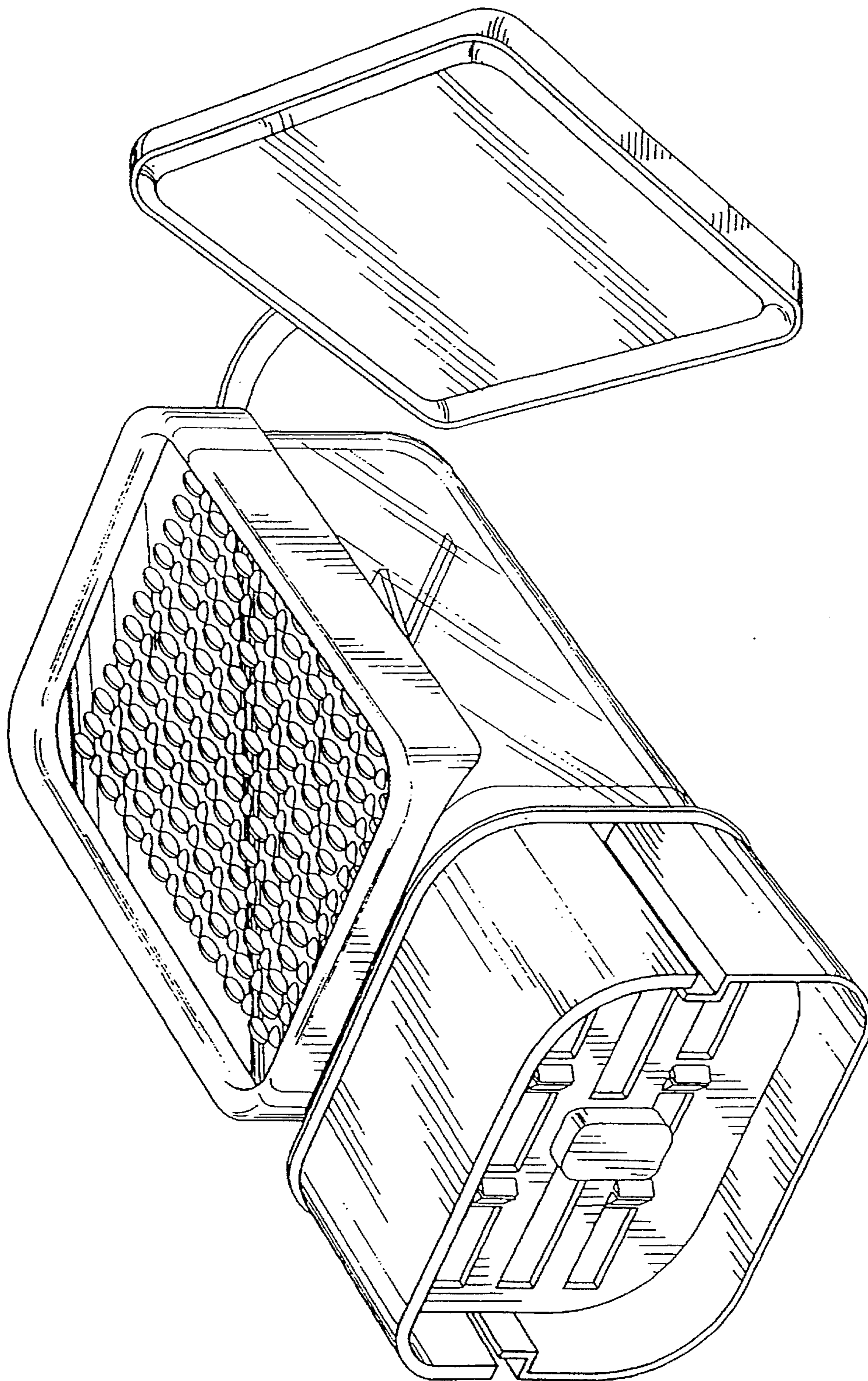


FIGURE 1

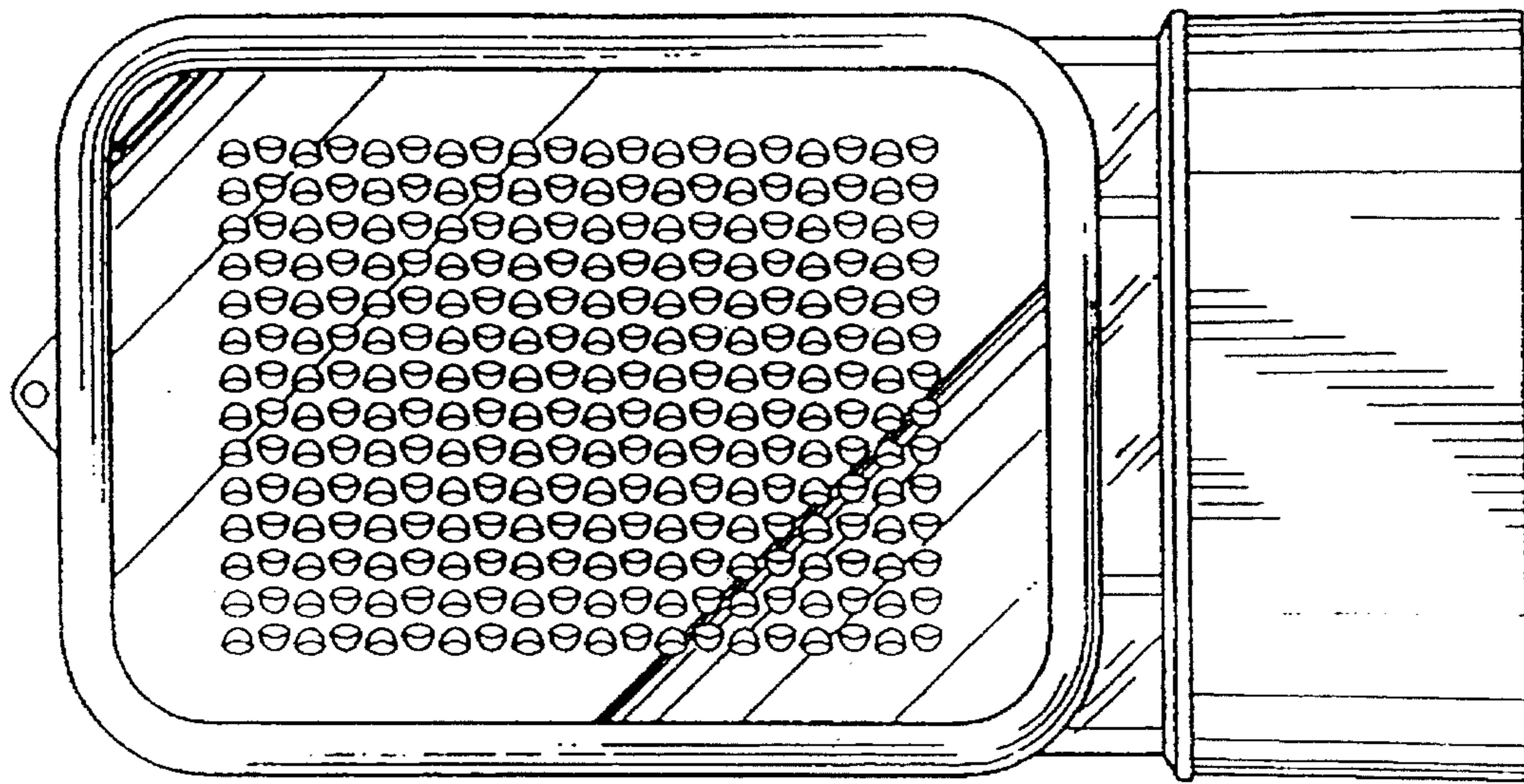


FIGURE 2

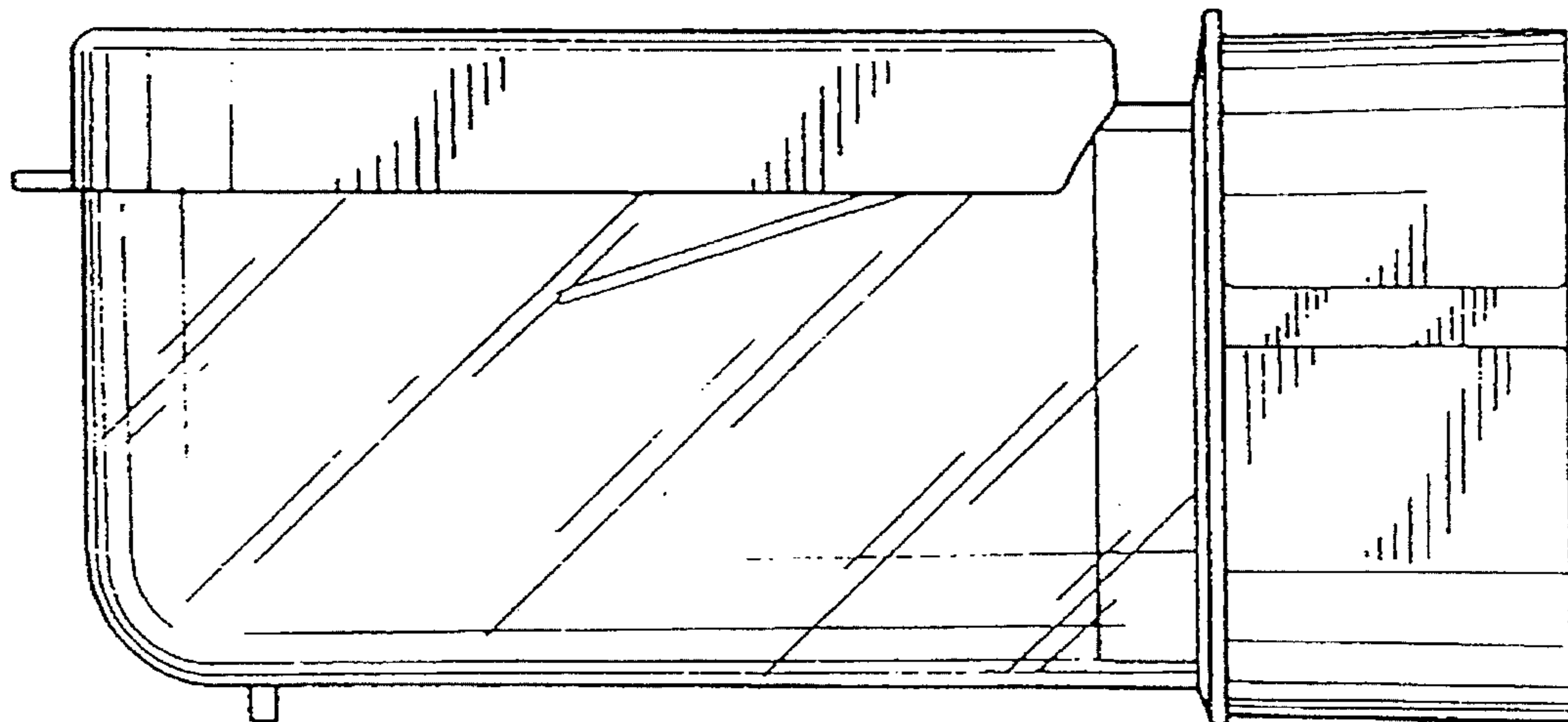


FIGURE 3

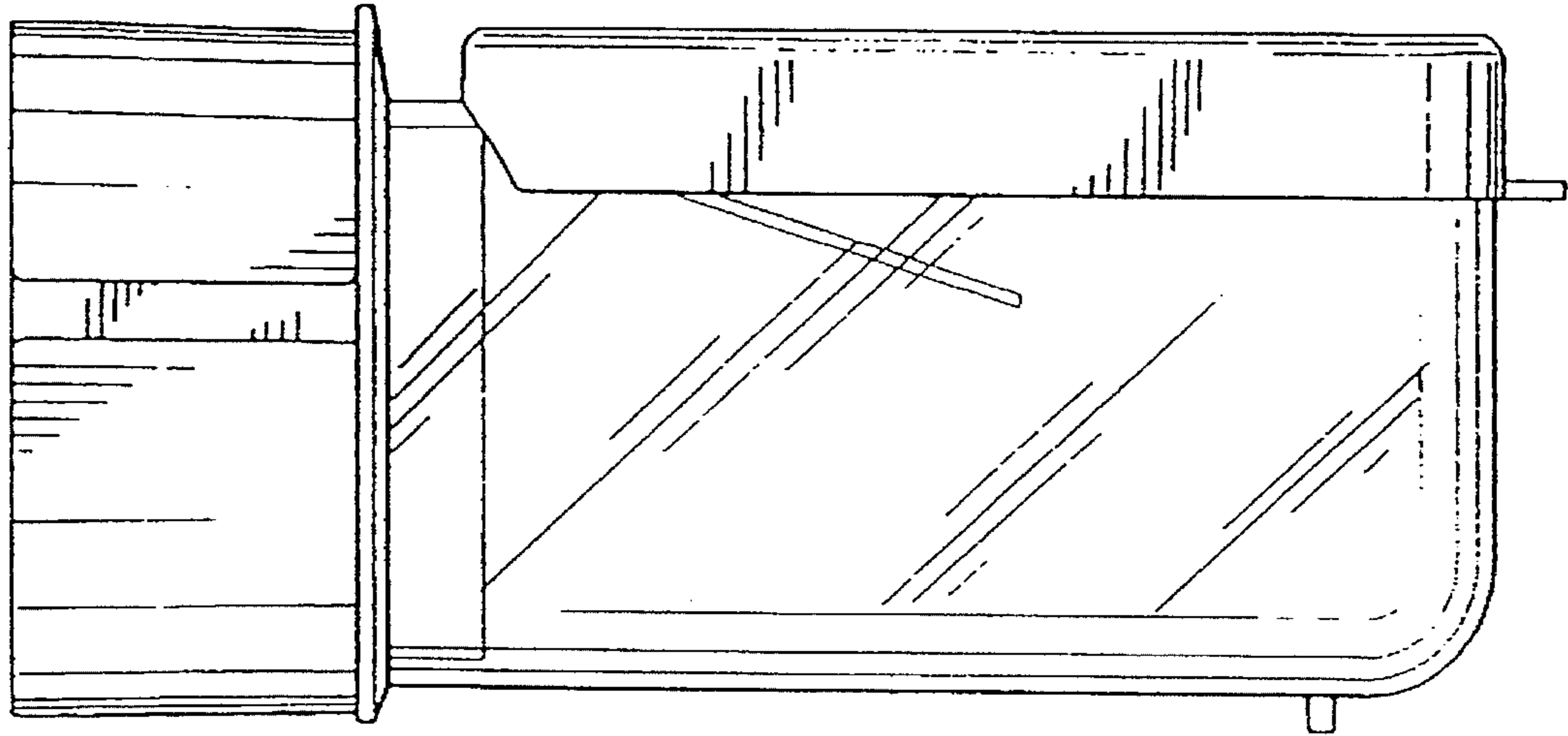


FIGURE 4

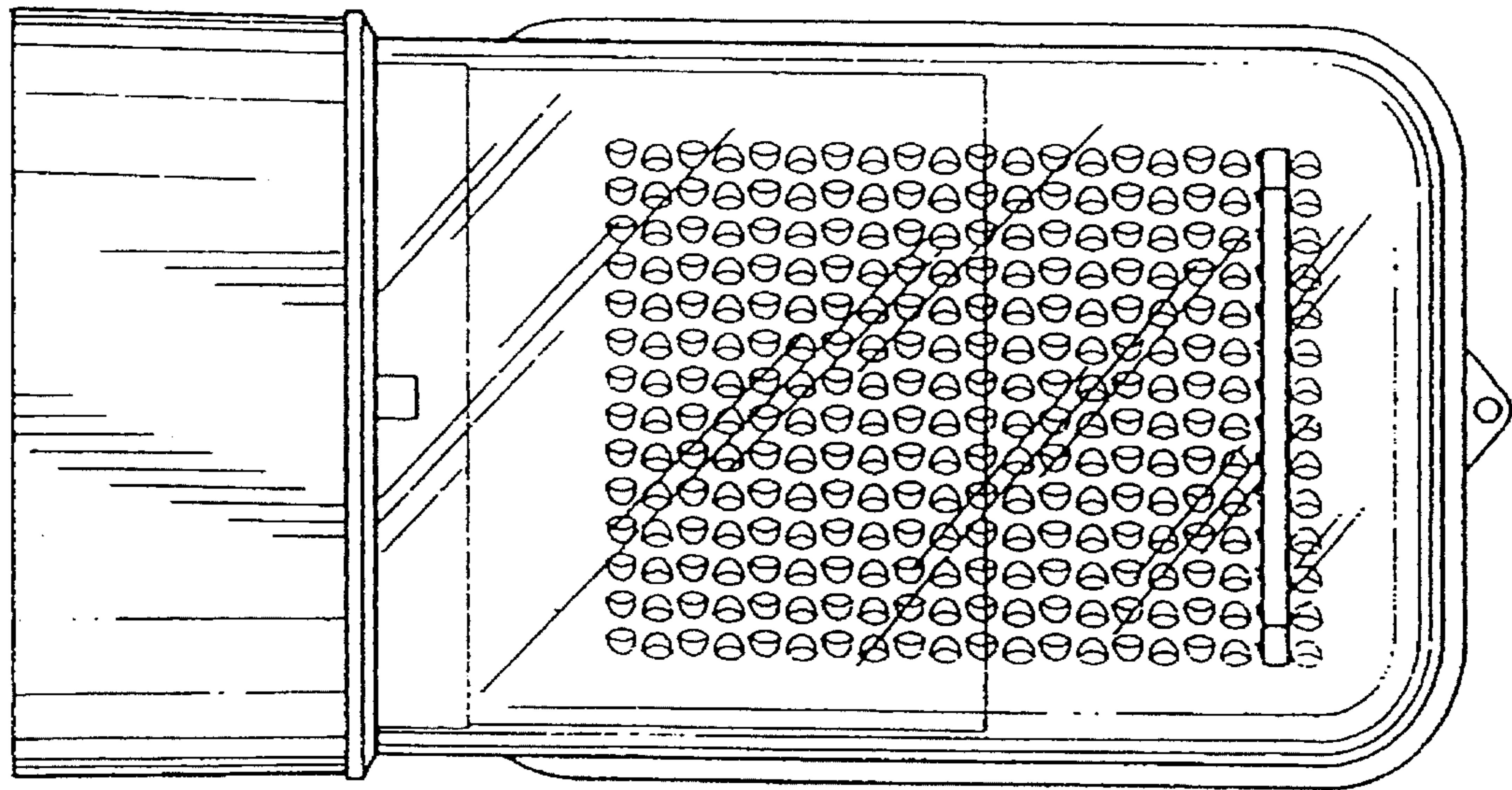


FIGURE 5

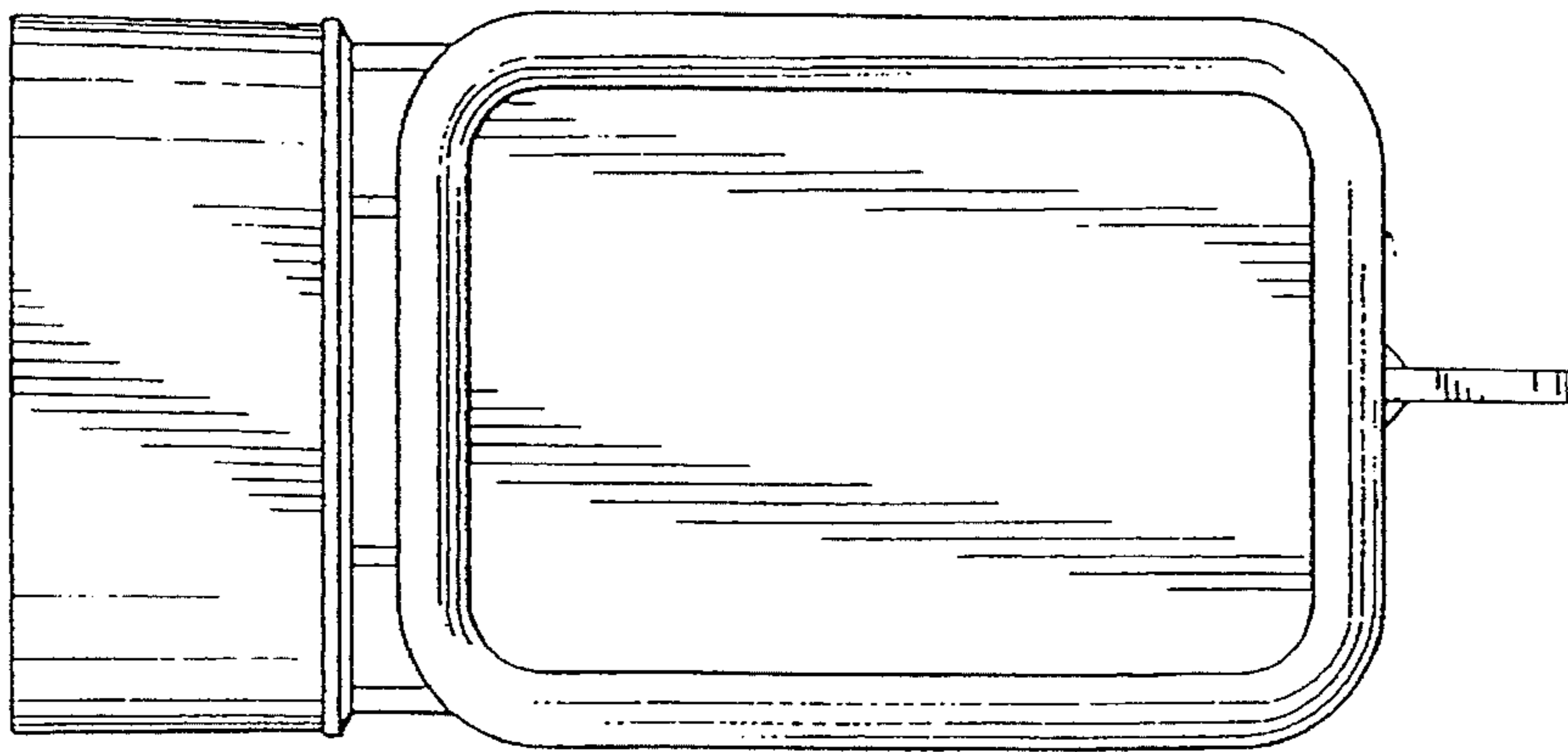


FIGURE 6

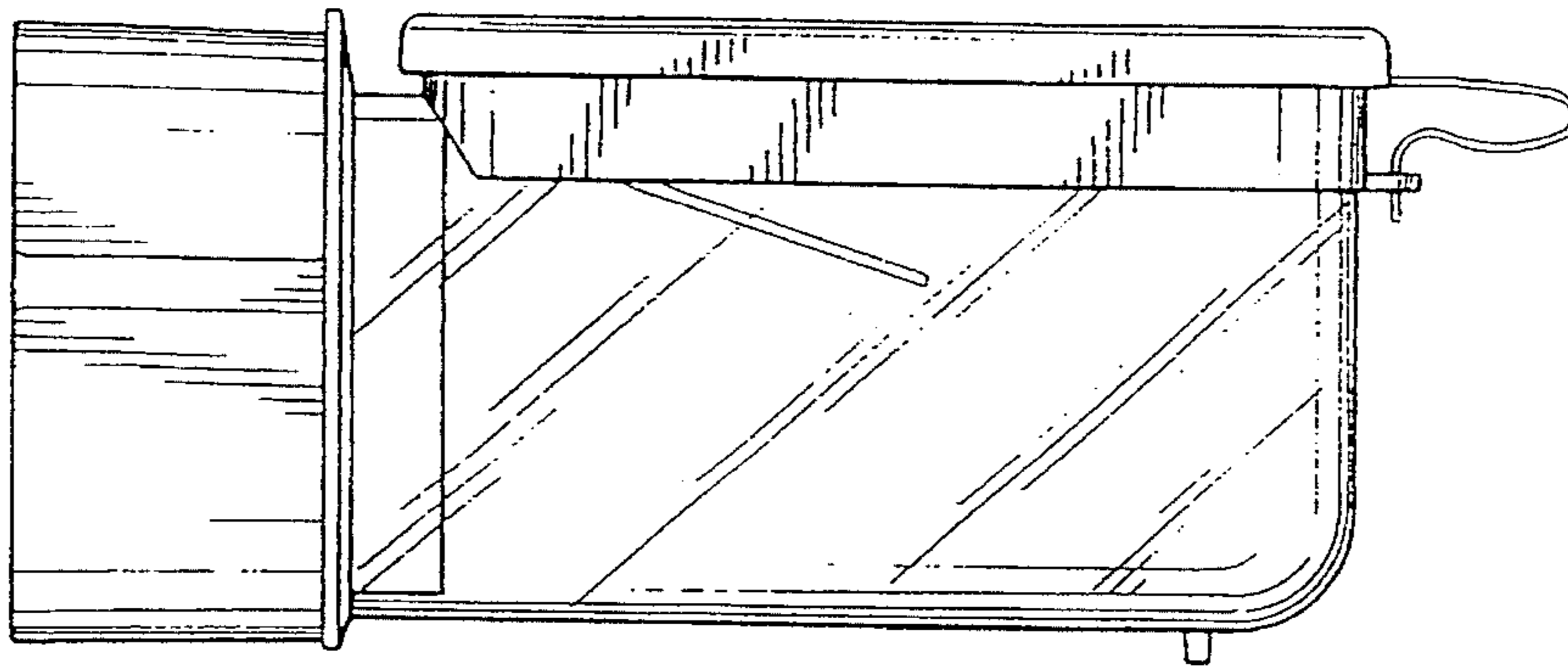


FIGURE 7

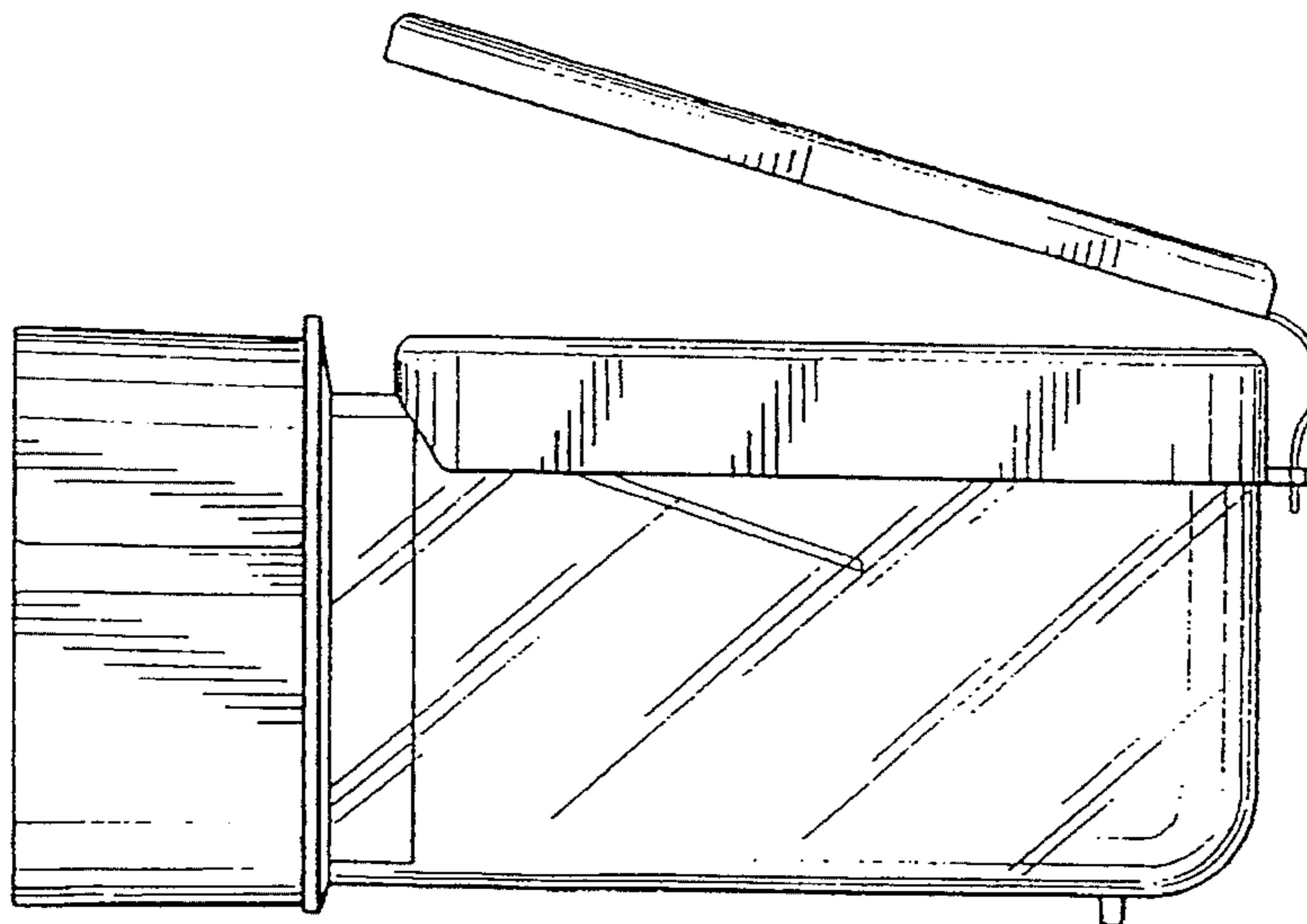


FIGURE 8

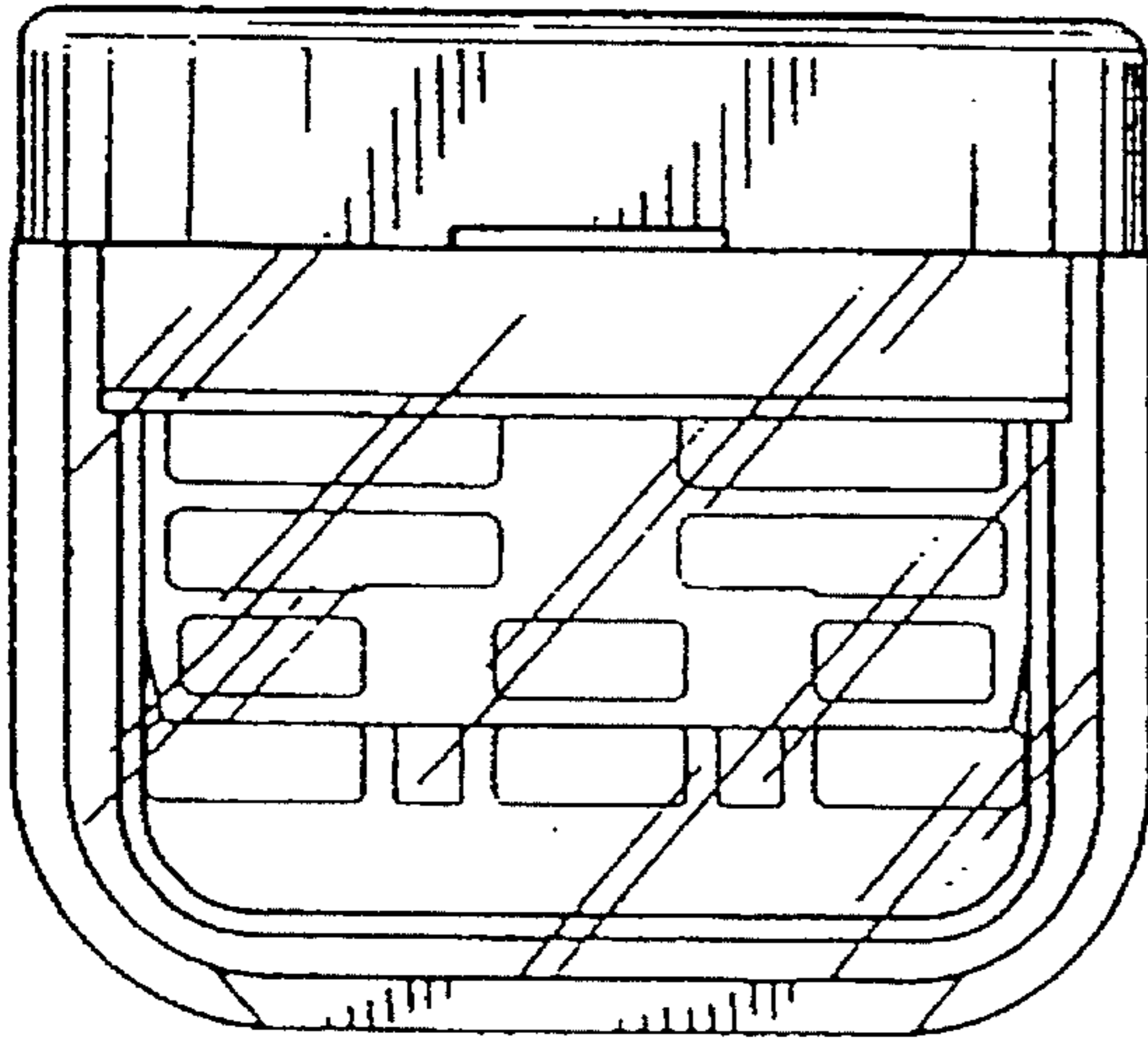


FIGURE 9

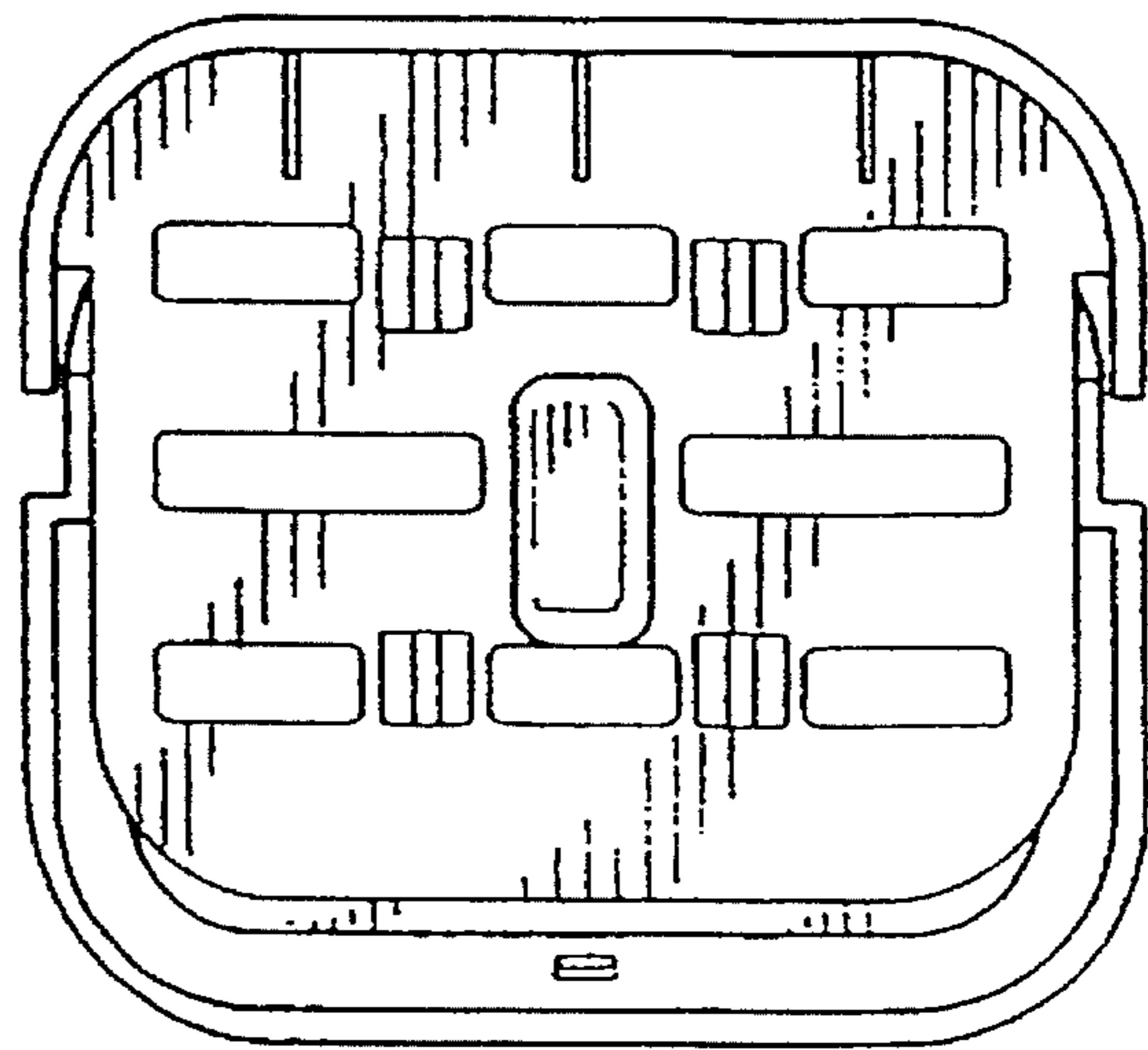


FIGURE 10

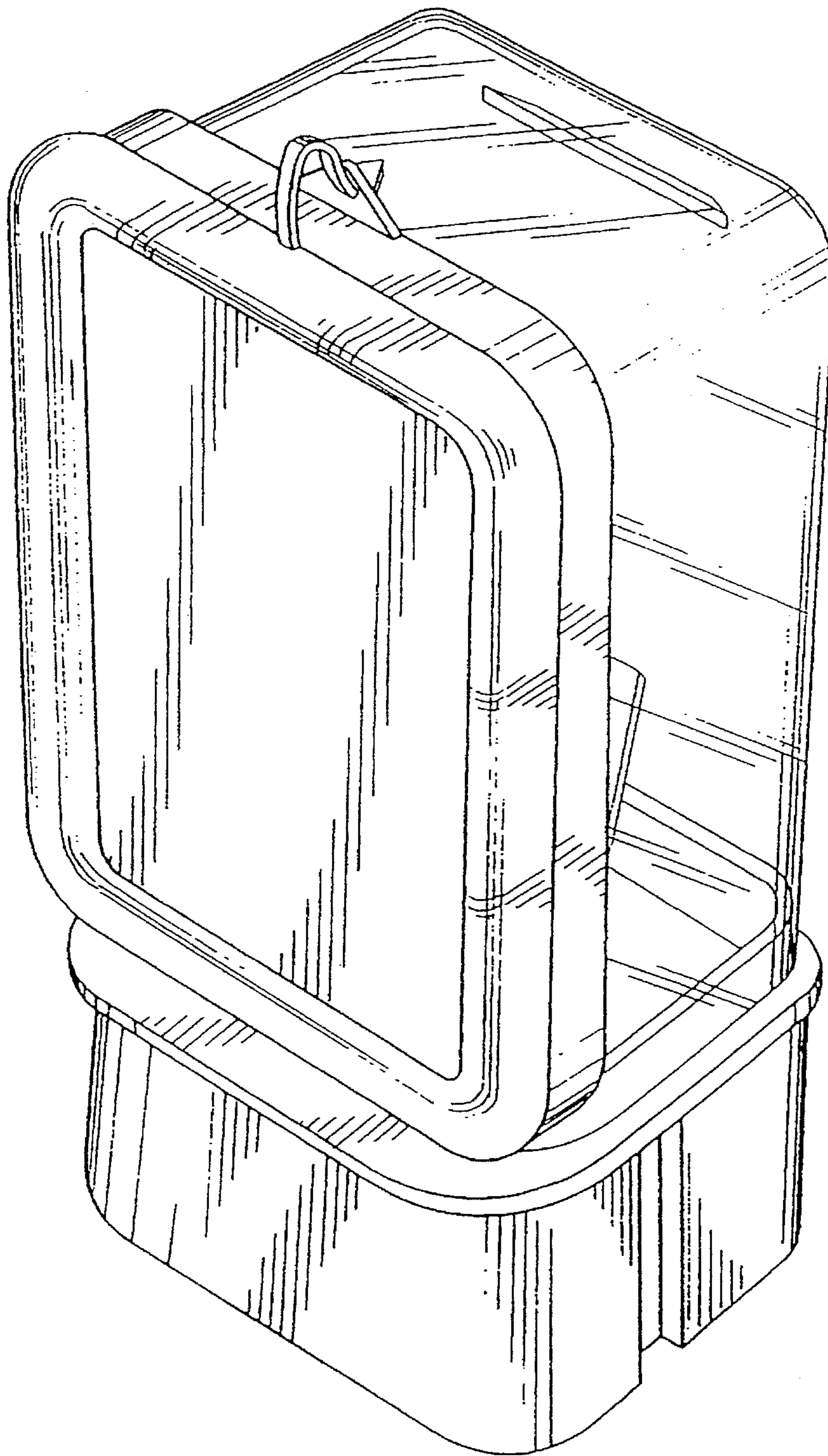


FIGURE 11