



US00D369724S

**United States Patent** [19]  
**Wieneke**

[11] **Patent Number: Des. 369,724**

[45] **Date of Patent: \*\*May 14, 1996**

[54] **PLASTIC BOTTLE HOLDER**

4,972,964 11/1990 Escalante ..... D7/622

[76] Inventor: **Albert R. Wieneke**, 6113 Greenbriar  
La., SW, Cedar Rapids, Iowa  
52404-2250

*Primary Examiner*—Terry A. Wallace

[\*\*] Term: **14 Years**

[57] **CLAIM**

The ornamental design for a plastic bottle holder, as shown and described.

[21] Appl. No.: **42,383**

**DESCRIPTION**

[22] Filed: **Aug. 9, 1995**

FIG. 1 is a front elevational view of the plastic bottle holder showing my new design;

[52] U.S. Cl. .... **D7/622**

FIG. 2 is a rear elevational view thereof;

[58] **Field of Search** ..... D7/619, 620, 622;  
D9/455; 215/386, 392, 393, 395; 220/737,  
741, 742; 294/27.1, 32

FIG. 3 is a right view thereof;

FIG. 4 is a left view thereof;

FIG. 5 is a top plan view thereof; and,

FIG. 6 is a bottom plan view thereof.

[56] **References Cited**

The broken line showing of the bottle is for illustrative purposes only and forms no part of the claimed design.

**U.S. PATENT DOCUMENTS**

- D. 203,403 1/1966 Martini ..... D7/622
- D. 309,072 7/1990 Golkar ..... D7/622

**1 Claim, 3 Drawing Sheets**

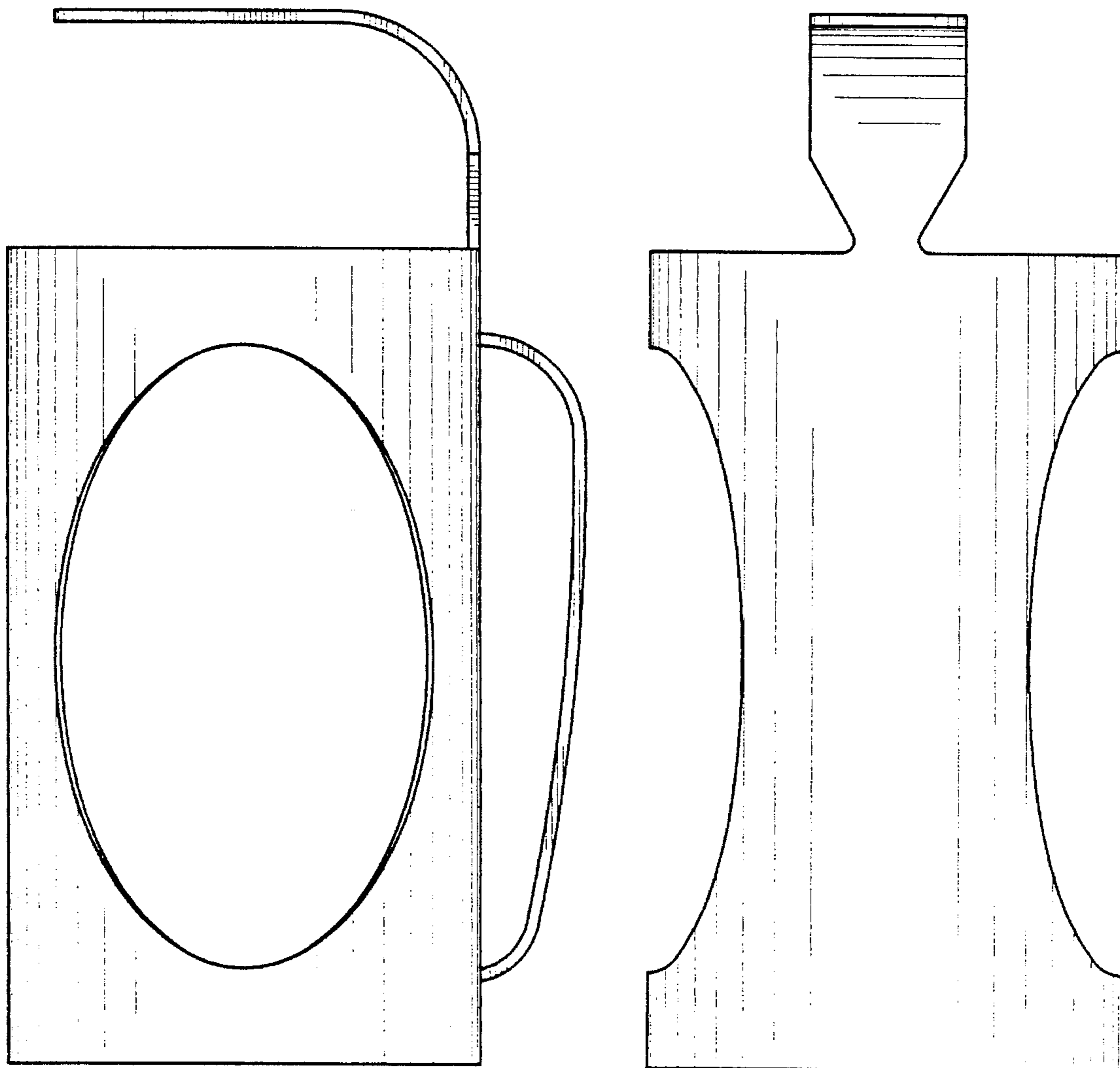


FIG. 1

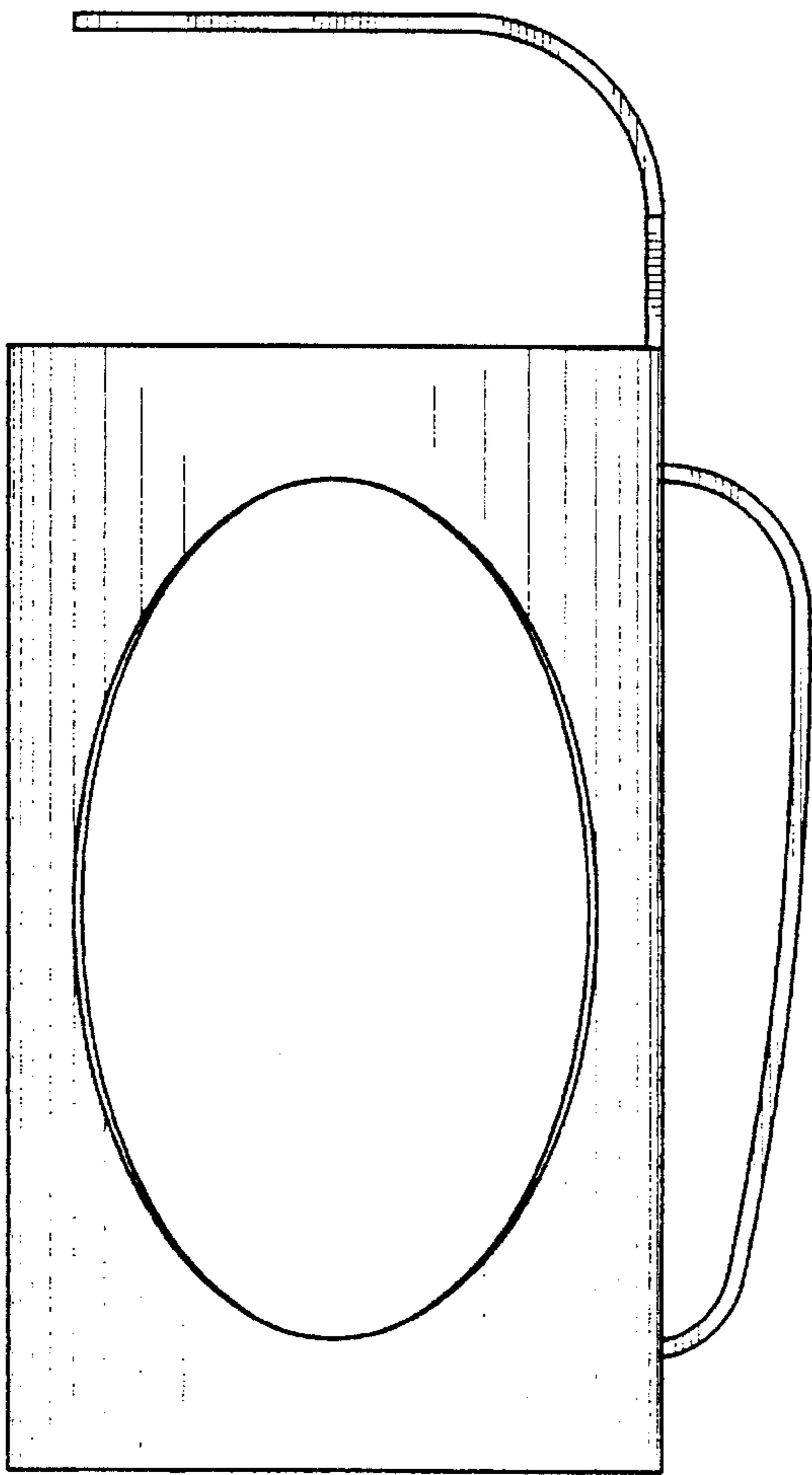


FIG. 2

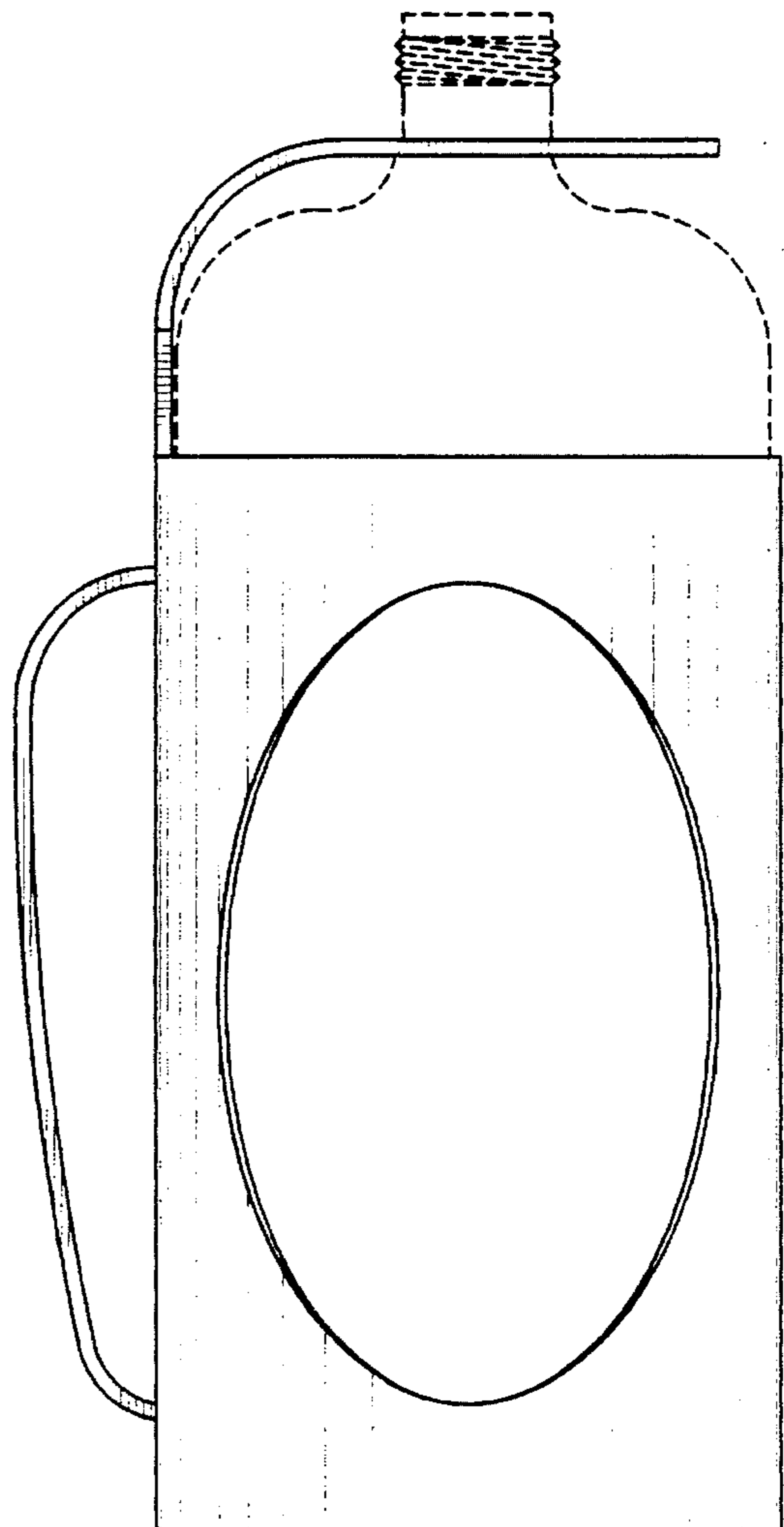


FIG. 3

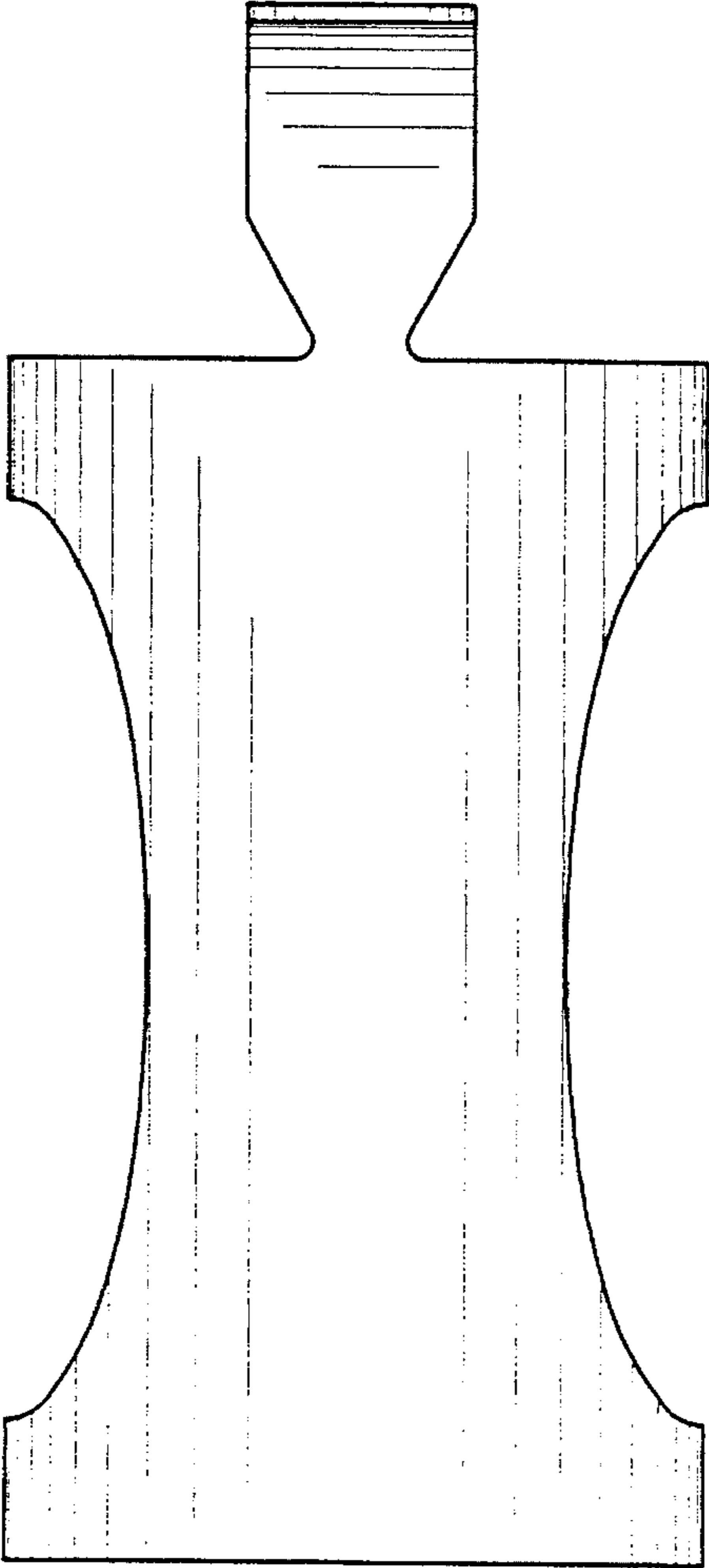
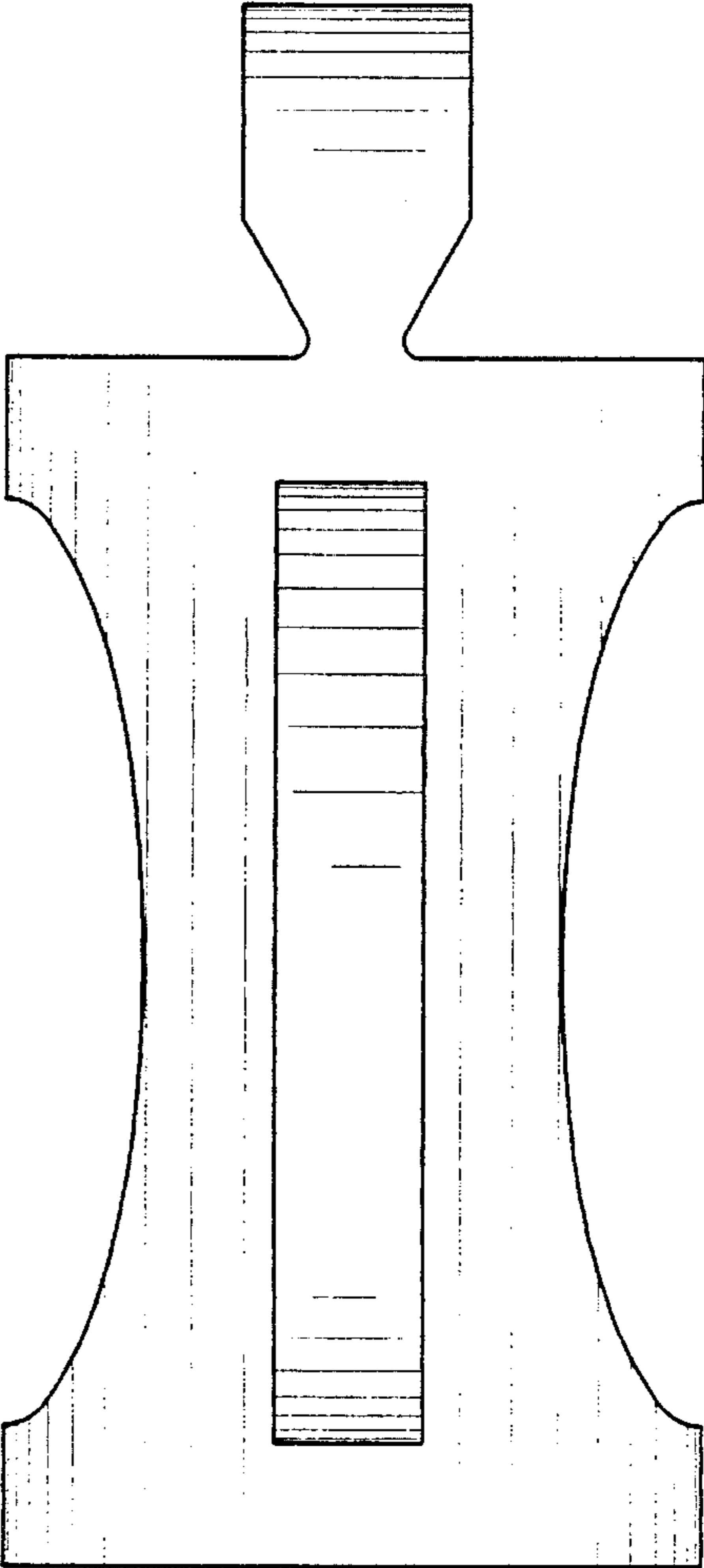
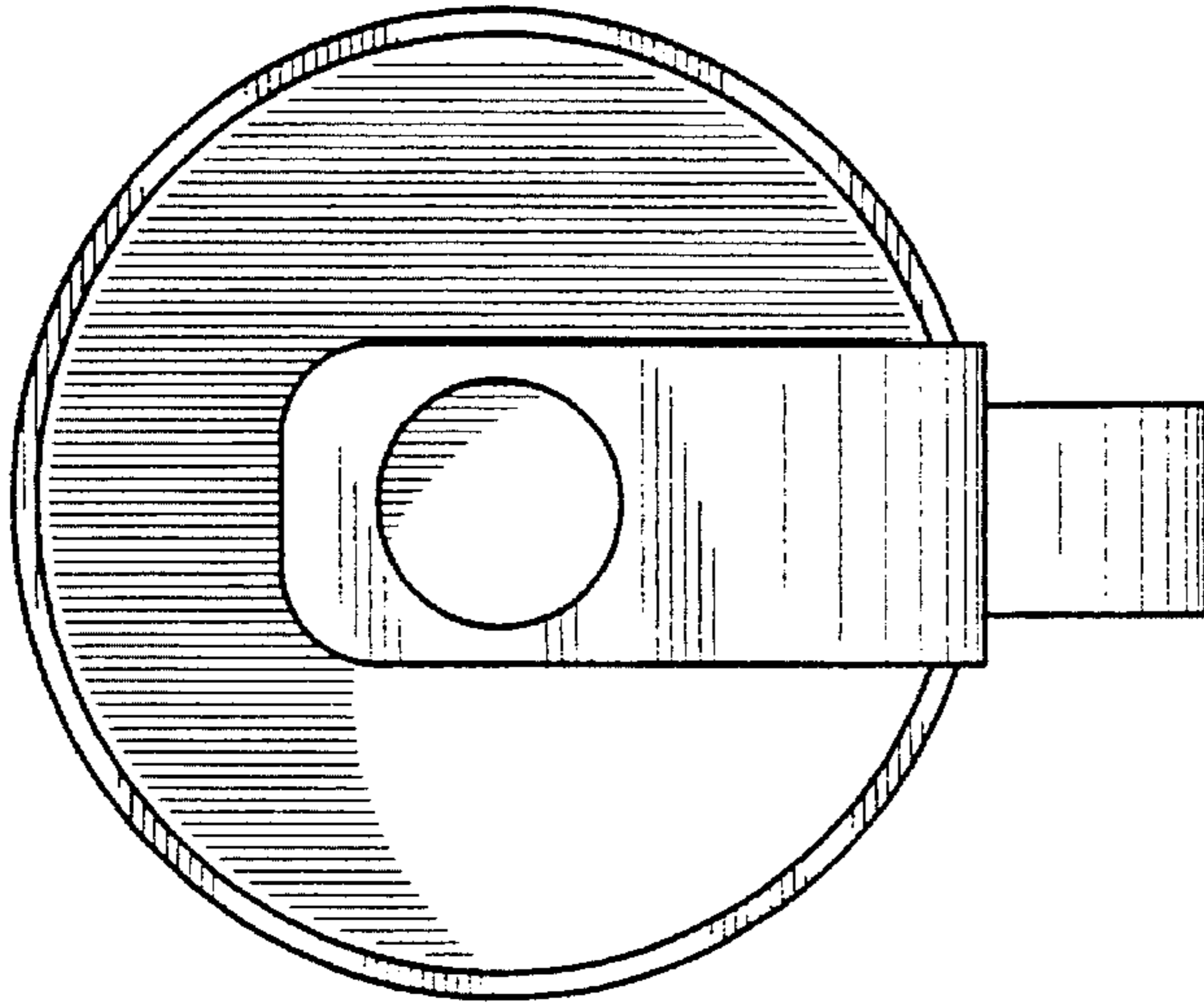


FIG. 4



*FIG. 5*



*FIG. 6*

