



US00D369722S

United States Patent [19]

[11] Patent Number: Des. 369,722

Lopez, Jr. et al.

[45] Date of Patent: **May 14, 1996

[54] COOLER

5,329,787 7/1994 Friday 62/389

[76] Inventors: **Louis Lopez, Jr.; Angela J. Lopez,**
both of P.O. Box 404, Paonia, Colo.
81428

OTHER PUBLICATIONS

Housewares, Jul. 1-7, —80, p. 86, Cooler.

[**] Term: **14 Years**

Primary Examiner—Terry A. Wallace
Attorney, Agent, or Firm—James A. Hudak

[21] Appl. No.: **39,078**

[57] CLAIM

The ornamental design for a cooler, as shown and described.

[22] Filed: **May 19, 1995**

[52] U.S. Cl. **D7/605**

DESCRIPTION

[58] Field of Search D7/605-608, 709,
D7/710; 62/457.1, 457.7, 371; 220/412,
411

FIG. 1 is an exploded perspective view of the cooler showing our new design;

FIG. 2 is a front elevational view thereof, the rear elevational view being a mirror image of the view shown in this Figure; FIG. 3 is a left side elevational view thereof, the right side elevational view being a mirror image of the view shown in this Figure;

FIG. 4 is a top plan view thereof; and,

FIG. 5 is a bottom plan view thereof.

[56] References Cited

U.S. PATENT DOCUMENTS

D. 270,604	9/1983	Zauft	D7/605
D. 283,480	4/1986	Bailey	D7/605
D. 350,459	9/1994	Blackwell et al.	D7/605
3,406,532	10/1968	Rownd et al.	62/457
5,231,850	8/1993	Morris	62/457.6

1 Claim, 3 Drawing Sheets

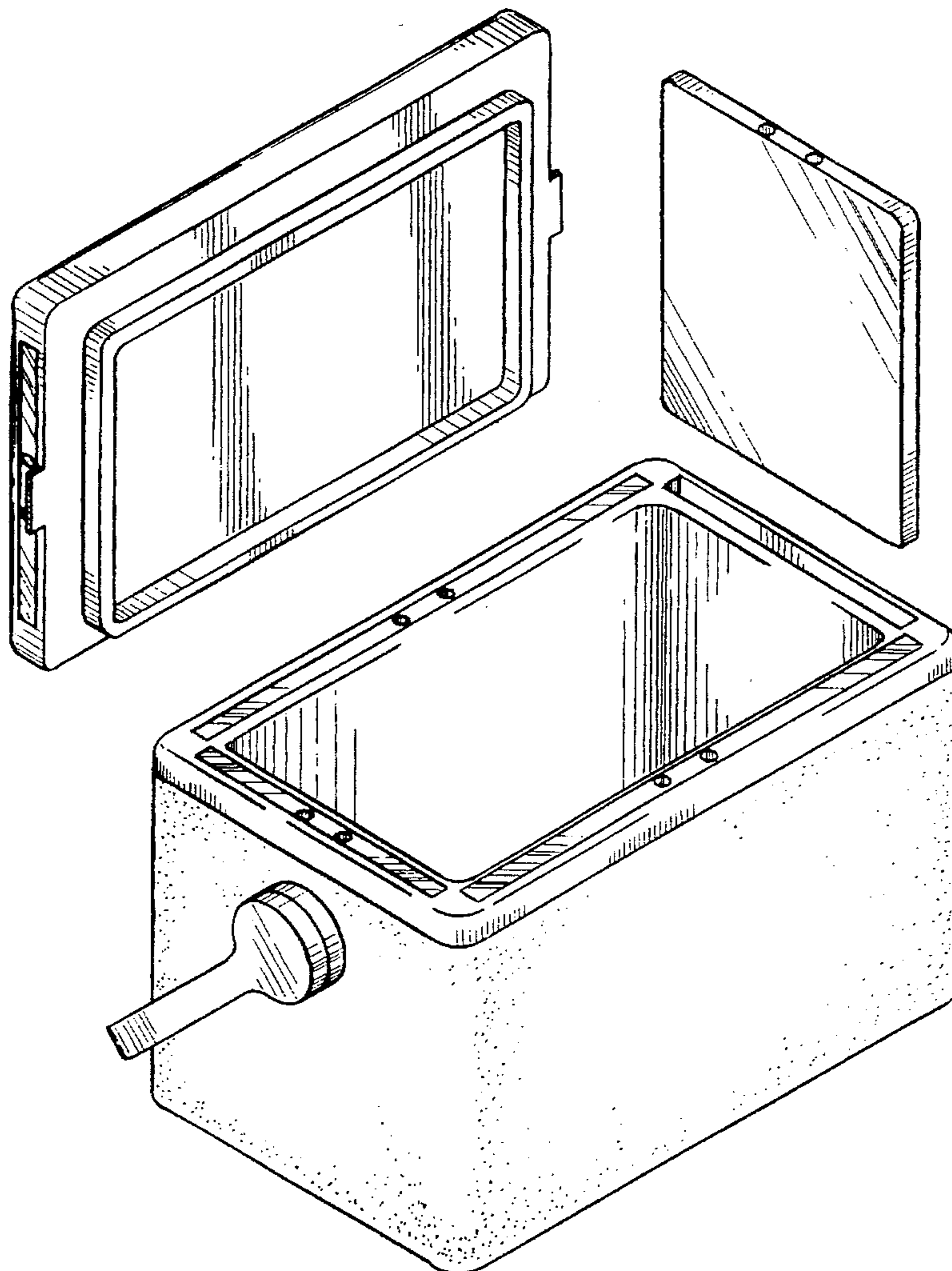
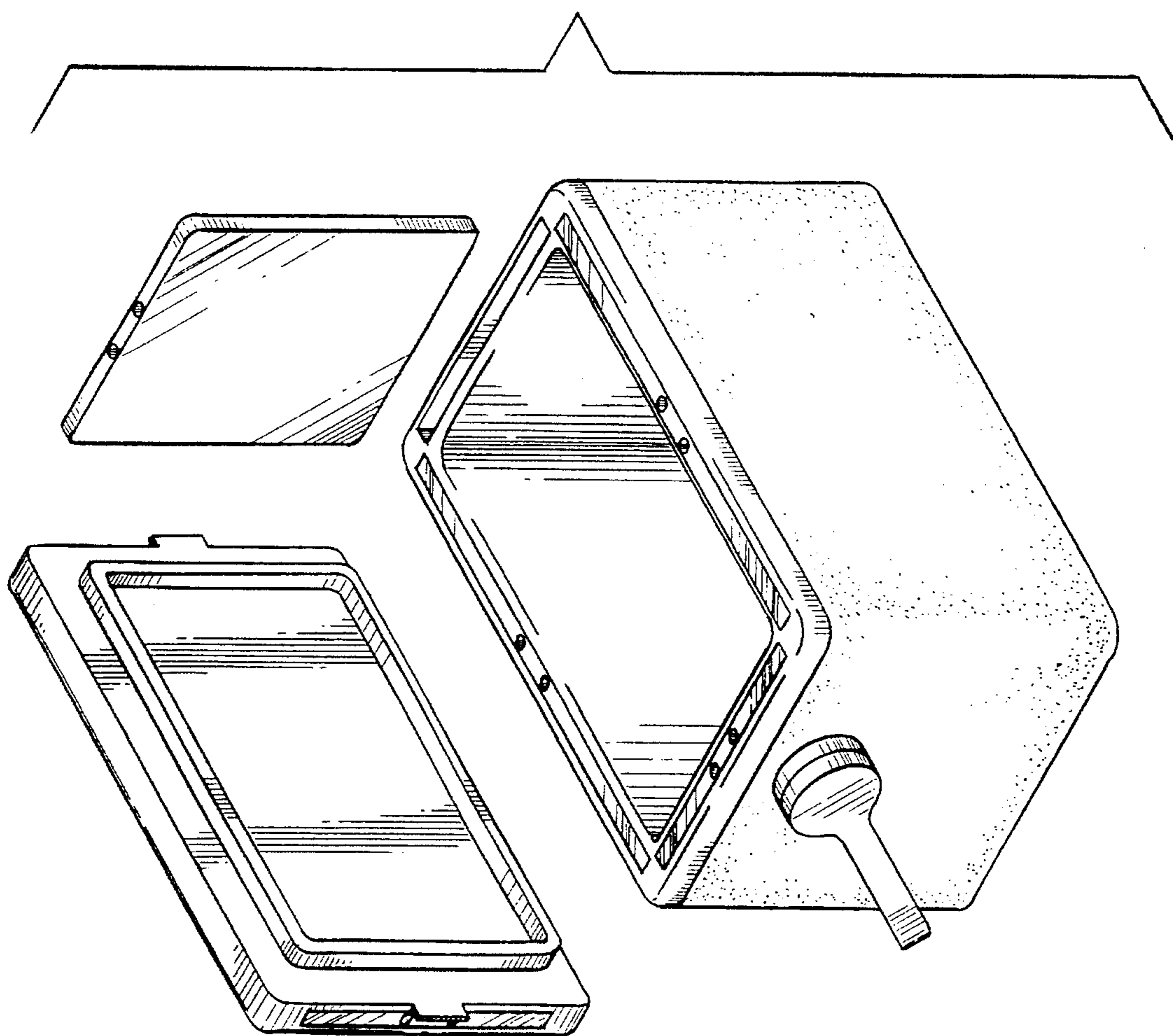


FIG. 1



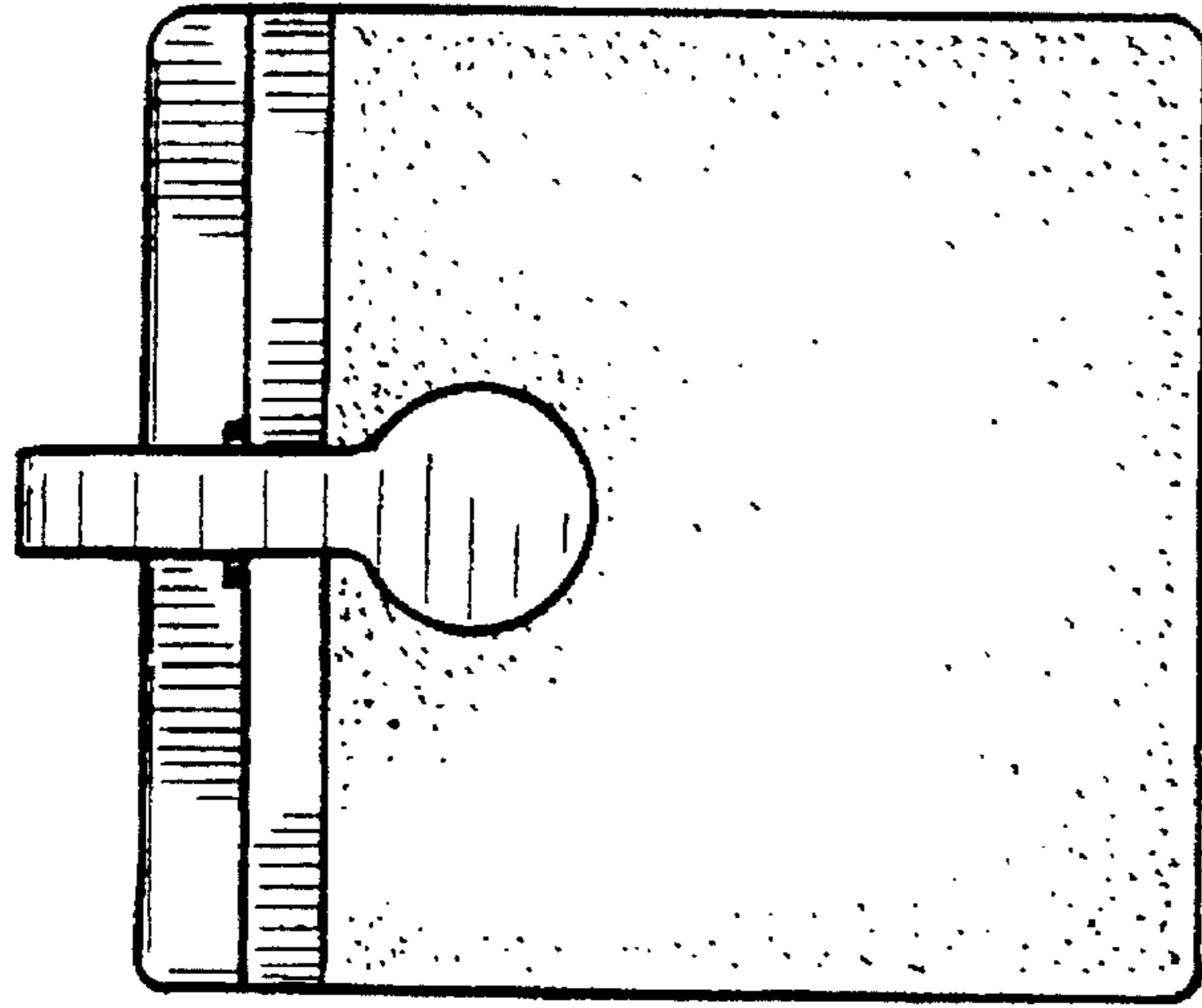


FIG. 3

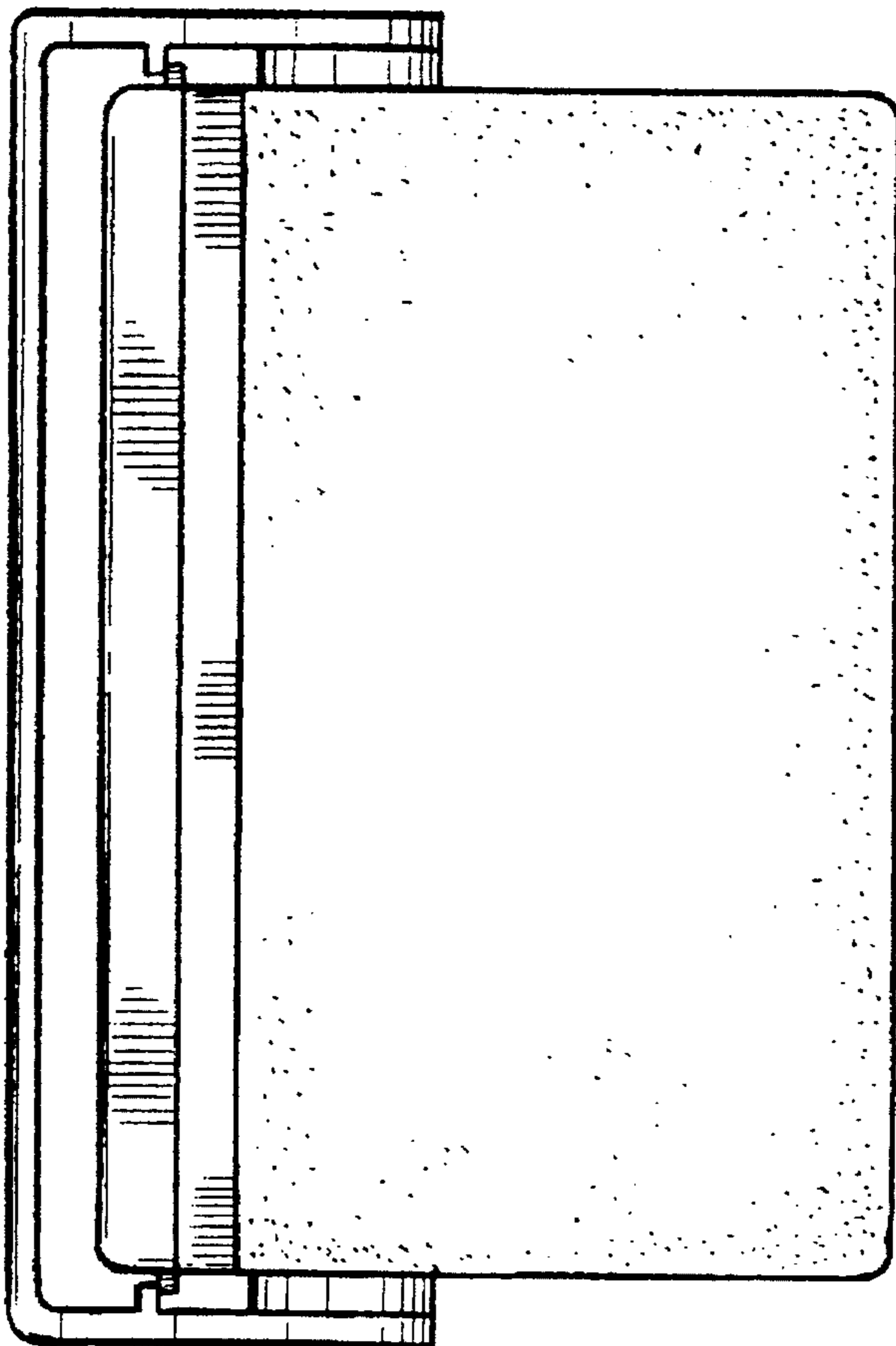


FIG. 2

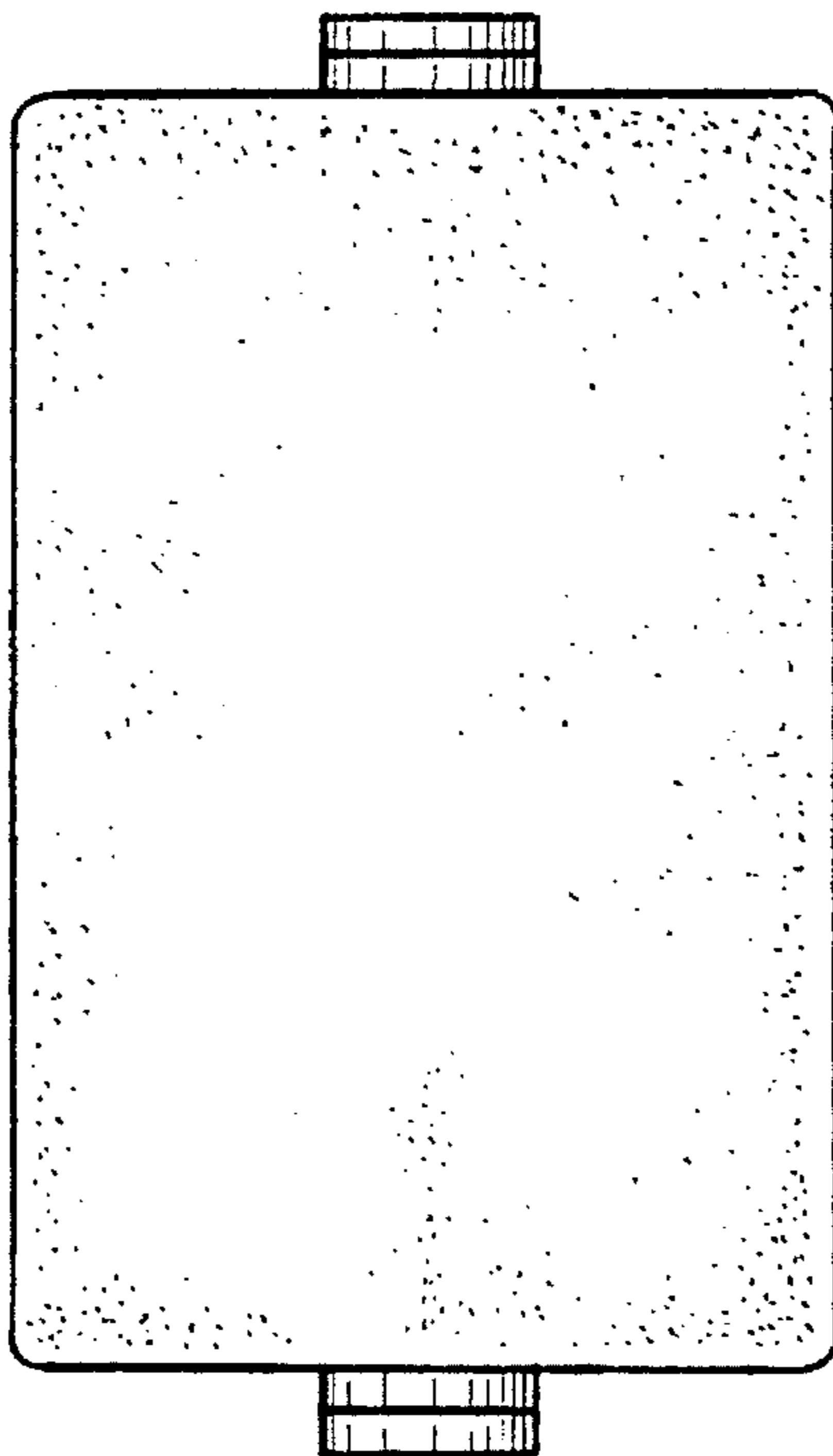


FIG. 5

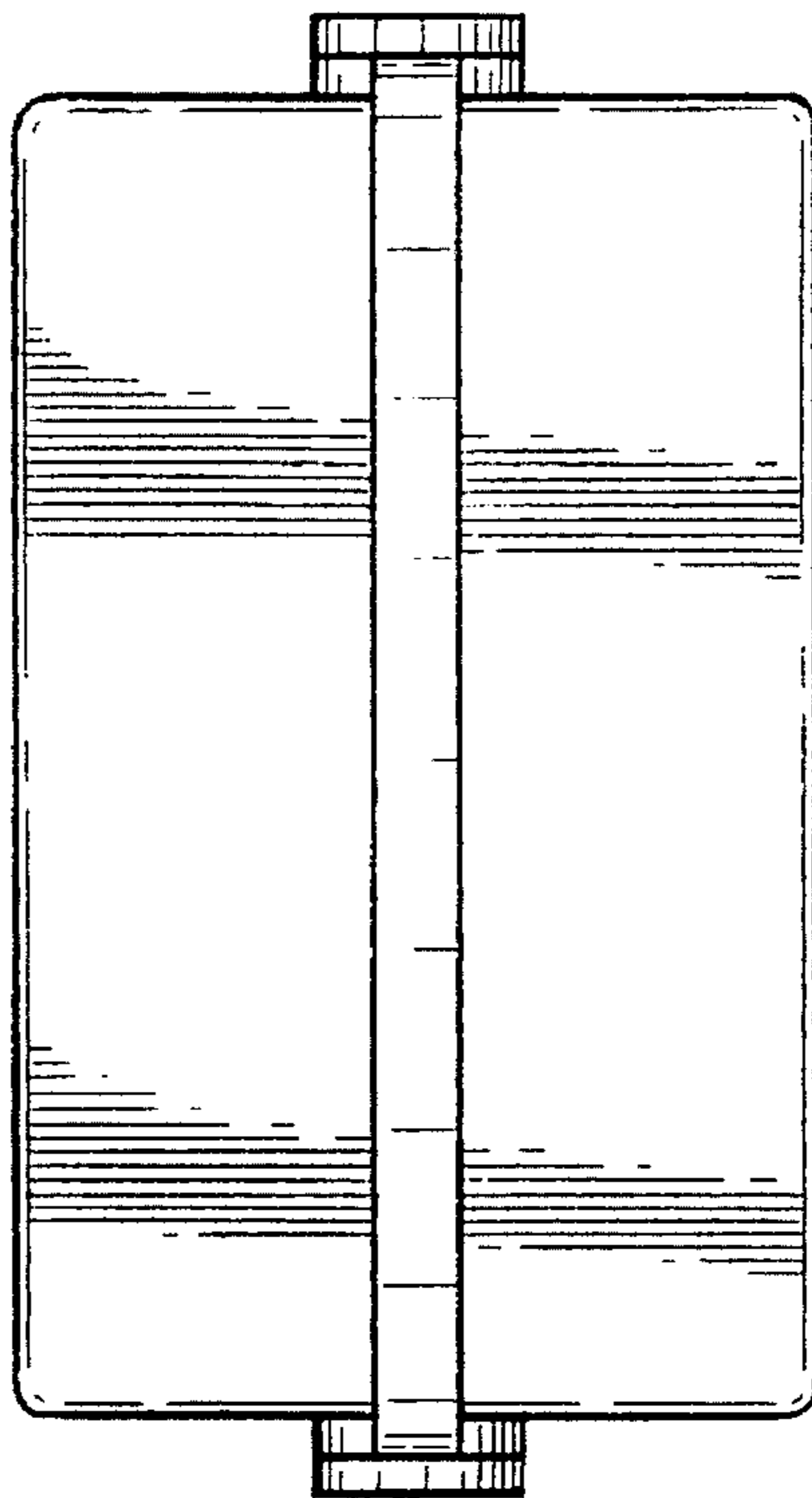


FIG. 4