



US00D369719S

United States Patent [19]

Eddy et al.

[11] Patent Number: **Des. 369,719**

[45] Date of Patent: ****May 14, 1996**

[54] **DRIP TRAY PORTION OF AN UPPER-FRONT FOR DOMESTIC WATER COOLERS**

[75] Inventors: **John W. Eddy**, Riverside; **Kelley S. Needham**, Yorba Linda, both of Calif.

[73] Assignee: **Kel-Jac Engineering and Plastic Sales, Inc.**, Riverside, Calif.

[**] Term: **14 Years**

[21] Appl. No.: **28,701**

[22] Filed: **Sep. 20, 1994**

[52] U.S. Cl. **D7/397; D7/550; D7/387**

[58] Field of Search **D7/300, 311, 305, D7/307, 308, 305, 306, 397, 387, 392, 553, 554, 357, 550; 222/185.1, 146.6; 62/389, 391; D3/302; 220/23.8, 571; D6/510; 206/564, 561, 557; 229/120.38**

[56] **References Cited**

U.S. PATENT DOCUMENTS

D. 228,684	10/1973	Cannon	D7/306
D. 278,664	5/1985	Ferdinand et al.	D6/510
D. 293,193	12/1987	Vandervoort	D7/357
D. 326,795	6/1992	Reitz et al.	D7/397
D. 330,045	10/1992	Dietterich et al.	D3/302
D. 336,406	6/1993	Wytiuk	D7/553 X

D. 343,746	2/1994	Simon	D6/510 X
1,889,146	11/1932	Kaltnoff	220/23.8
5,205,472	4/1993	Sullivan	220/571
5,360,109	11/1994	Janota	206/564 X
5,394,986	3/1995	Oya et al.	206/564 X

Primary Examiner—M. N. Pandozzi
Attorney, Agent, or Firm—Richard L. Gausewitz

[57] **CLAIM**

The ornamental design for a drip tray portion of an upper-front for domestic water coolers, as shown and described.

DESCRIPTION

FIG. 1 is a front isometric view of a drip tray portion of an upper-front for domestic water coolers, embodying our new design;
FIG. 2 is a top plan view thereof;
FIG. 3 is a rear elevation thereof;
FIG. 4 is a bottom plan view thereof;
FIG. 5 is an end elevation thereof; as viewed from the right in FIG. 1; and,
FIG. 6 is a sectional view thereof taken along line 6—6 of FIG. 3.

The end not shown in FIG. 5 is the mirror image of the end shown therein. Sectional view FIG. 6 is presented to show surface configuration only.

1 Claim, 1 Drawing Sheet

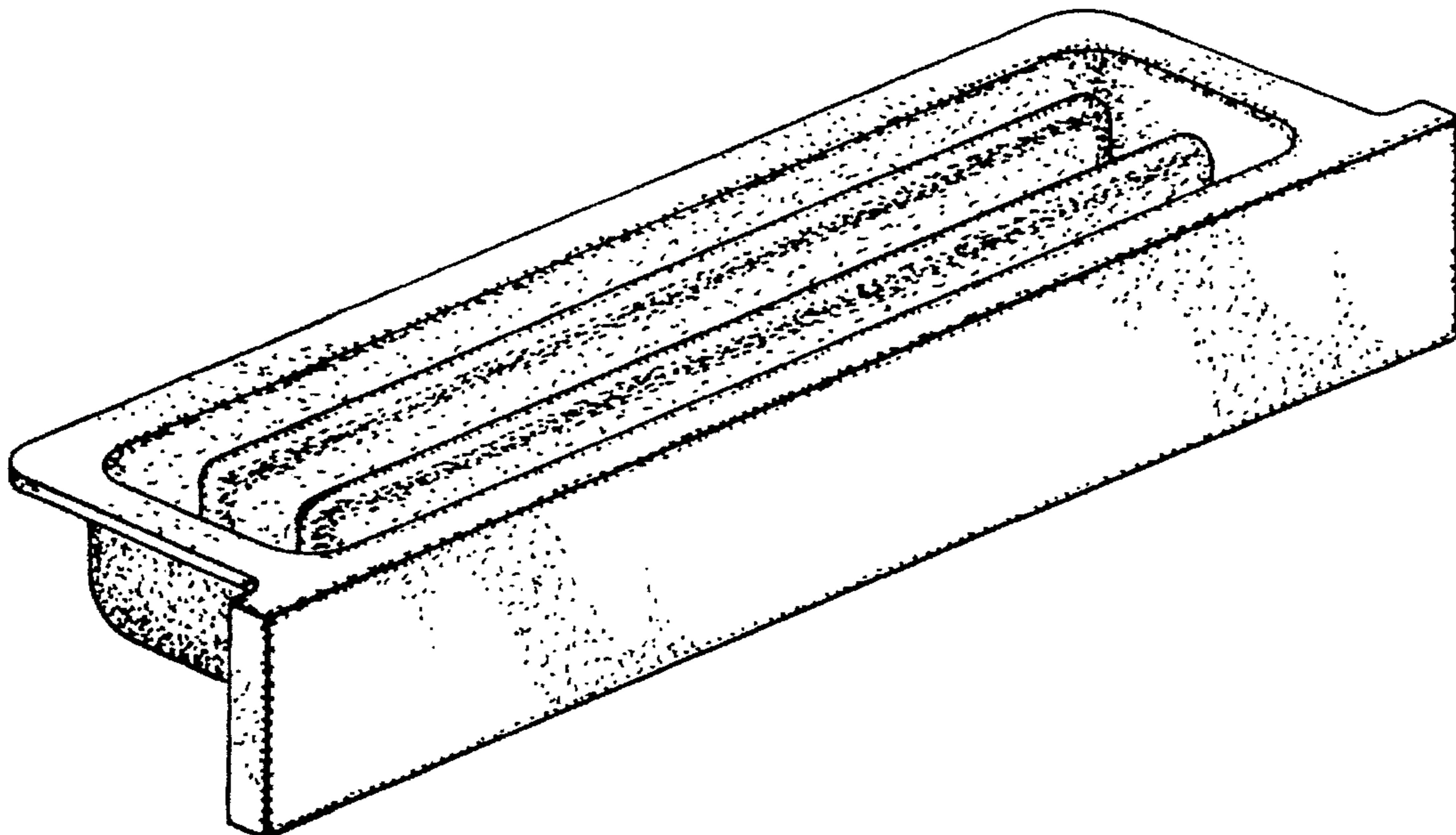


FIG. 1.

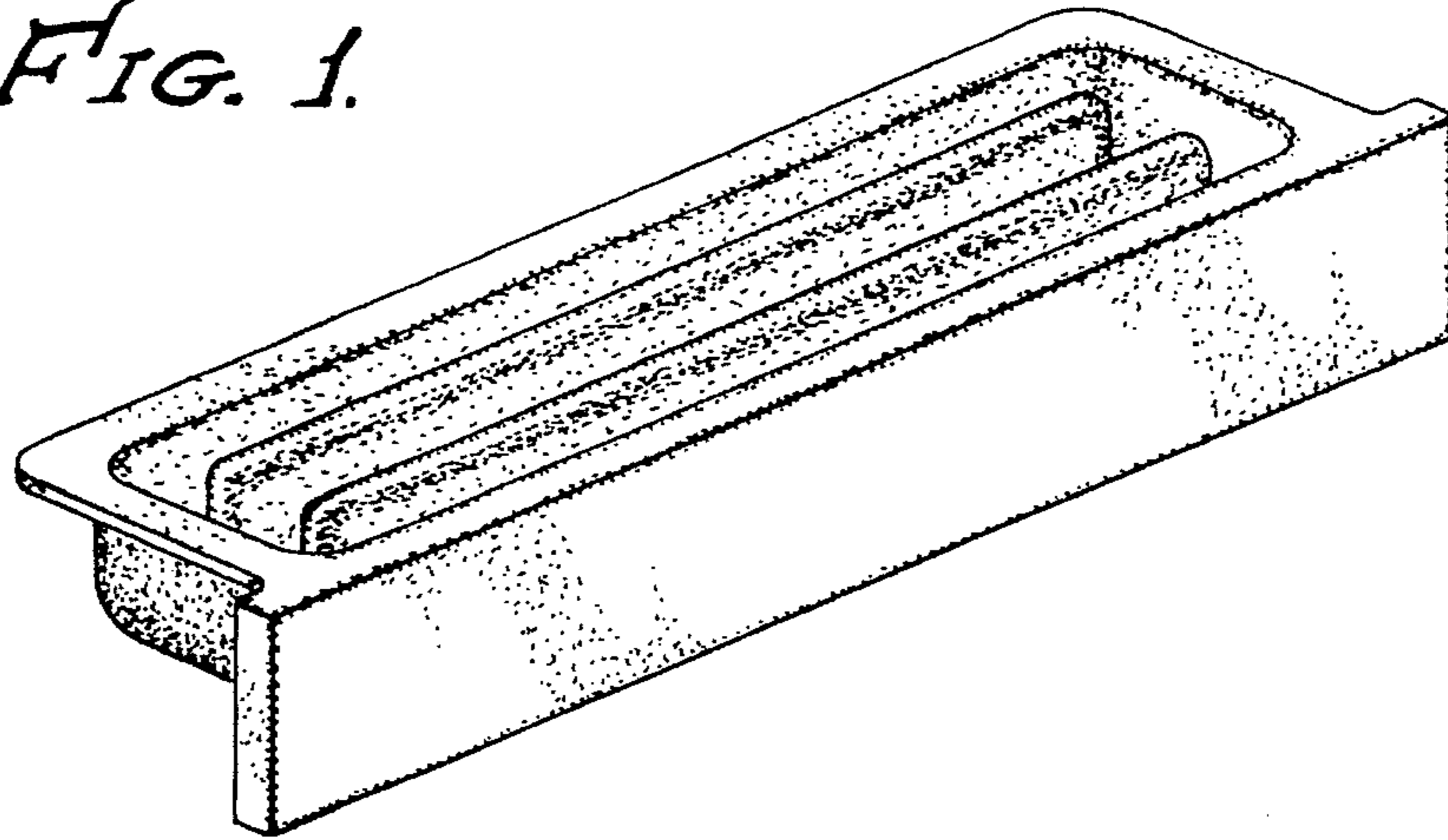


FIG. 2.

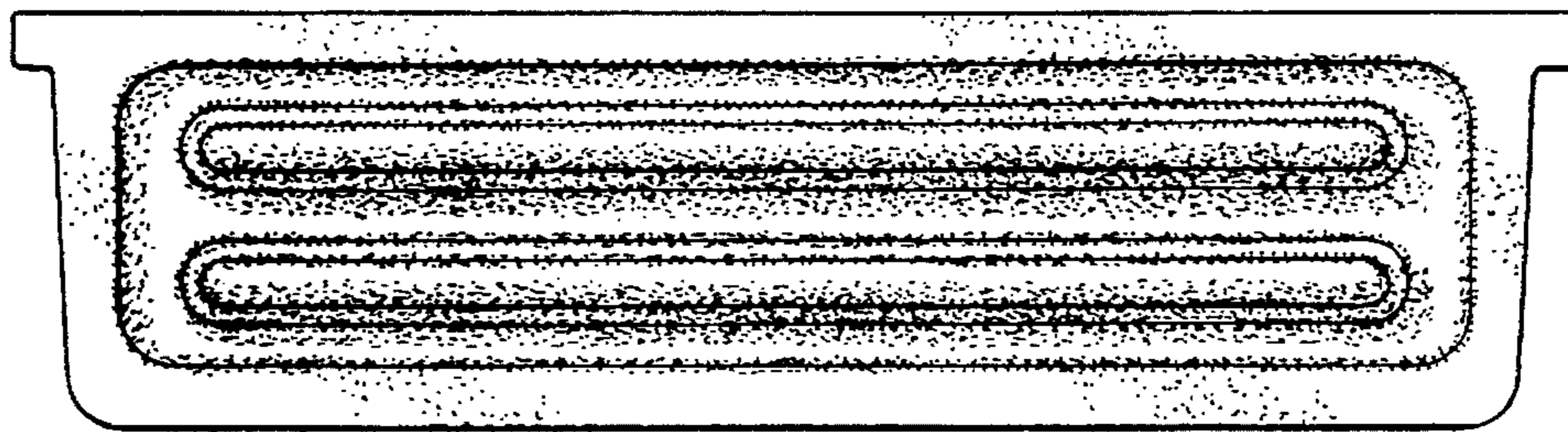


FIG. 3.

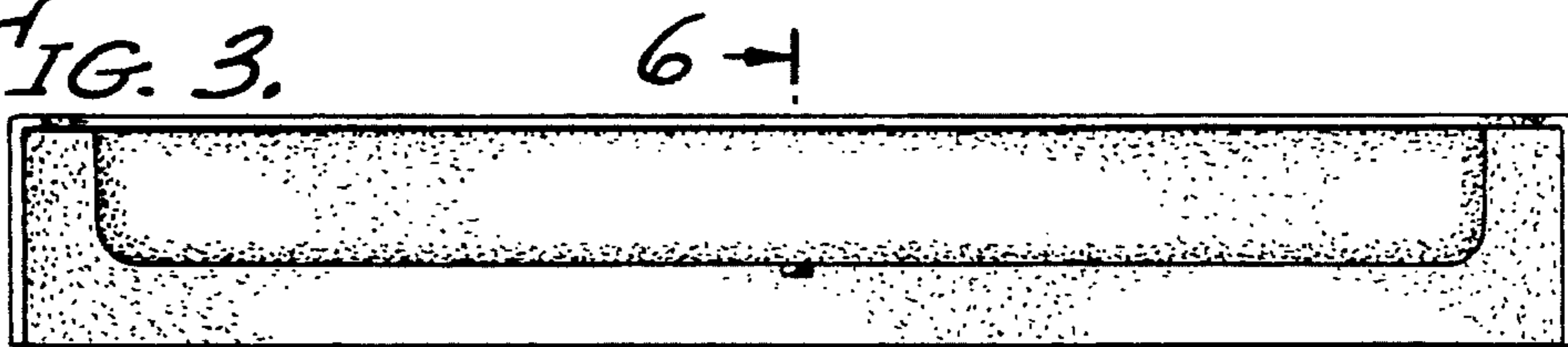


FIG. 4.

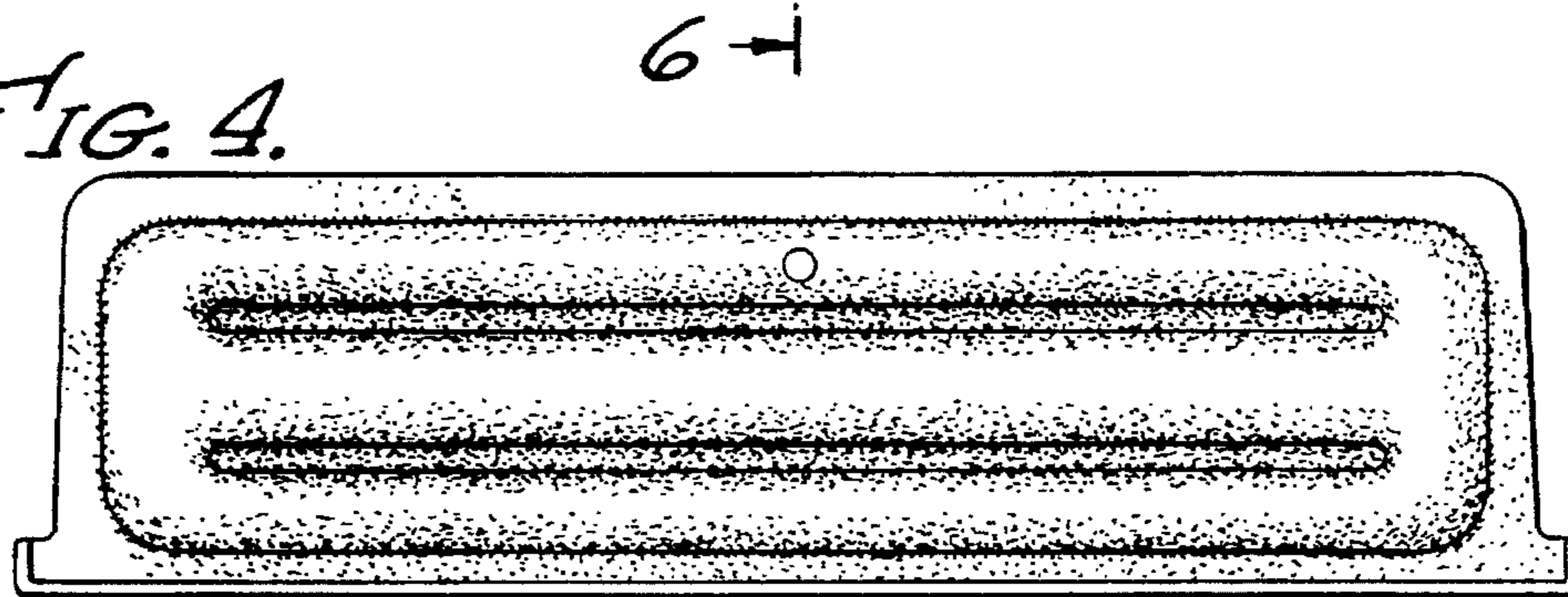


FIG. 5.

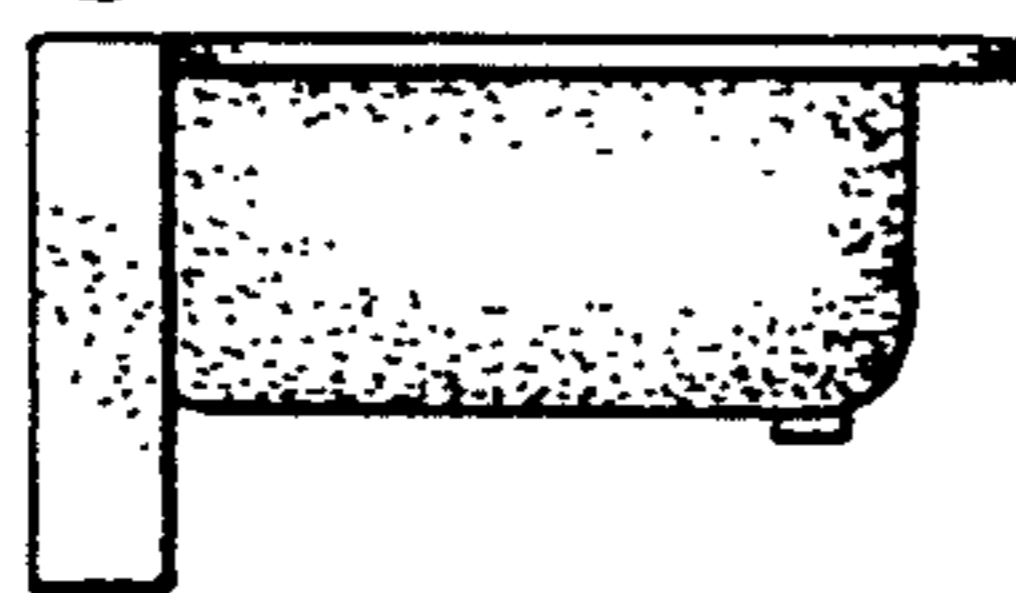


FIG. 6.

