



US00D369714S

**United States Patent** [19]  
**Huang**

[11] **Patent Number: Des. 369,714**  
[45] **Date of Patent: \*\*May 14, 1996**

[54] **VACUUM FLASK**

D. 343,983 2/1994 Tardif ..... D7/316 X  
D. 346,302 4/1994 Morgan ..... D7/317 X

[76] Inventor: **Frank T. Huang**, Suite 804, 8 Fl., No.  
128, Sec. 3, Ming-Sheng E. Rd., Taipei,  
Taiwan

**OTHER PUBLICATIONS**

Thermique 5651 Consumer Reports Aug. 1989 p. 521.

[\*\*] Term: **14 Years**

*Primary Examiner*—M. N. Pandozzi  
*Attorney, Agent, or Firm*—Bacon & Thomas

[21] Appl. No.: **38,950**

[57] **CLAIM**

[22] Filed: **May 17, 1995**

The ornamental design for vacuum flask, as shown and described.

[52] U.S. Cl. .... **D7/319**; D7/317; D7/318

[58] Field of Search ..... D7/598, 310, 604,  
D7/606, 623, 300, 301, 302, 303, 312,  
314, 316, 317, 318, 319, 320, 321, 322,  
622; 222/465.1, 475.1

**DESCRIPTION**

FIG. 1 is a perspective view of vacuum flask showing my new design thereof;  
FIG. 2 is a front elevational view, the rear elevational view being a mirror image thereof;  
FIG. 3 is a left side elevational view, thereof;  
FIG. 4 is a right side elevational view, thereof;  
FIG. 5 is a top plan view thereof; and,  
FIG. 6 is a bottom plan view thereof.

[56] **References Cited**

**U.S. PATENT DOCUMENTS**

D. 153,589 5/1949 Duberstein ..... D7/598 X  
D. 158,997 6/1950 Parker ..... D7/300  
D. 314,117 1/1991 Inoue ..... D7/321  
D. 323,951 2/1992 Inoue ..... D7/319 X  
D. 342,415 12/1993 Morgan ..... D7/316

**1 Claim, 5 Drawing Sheets**

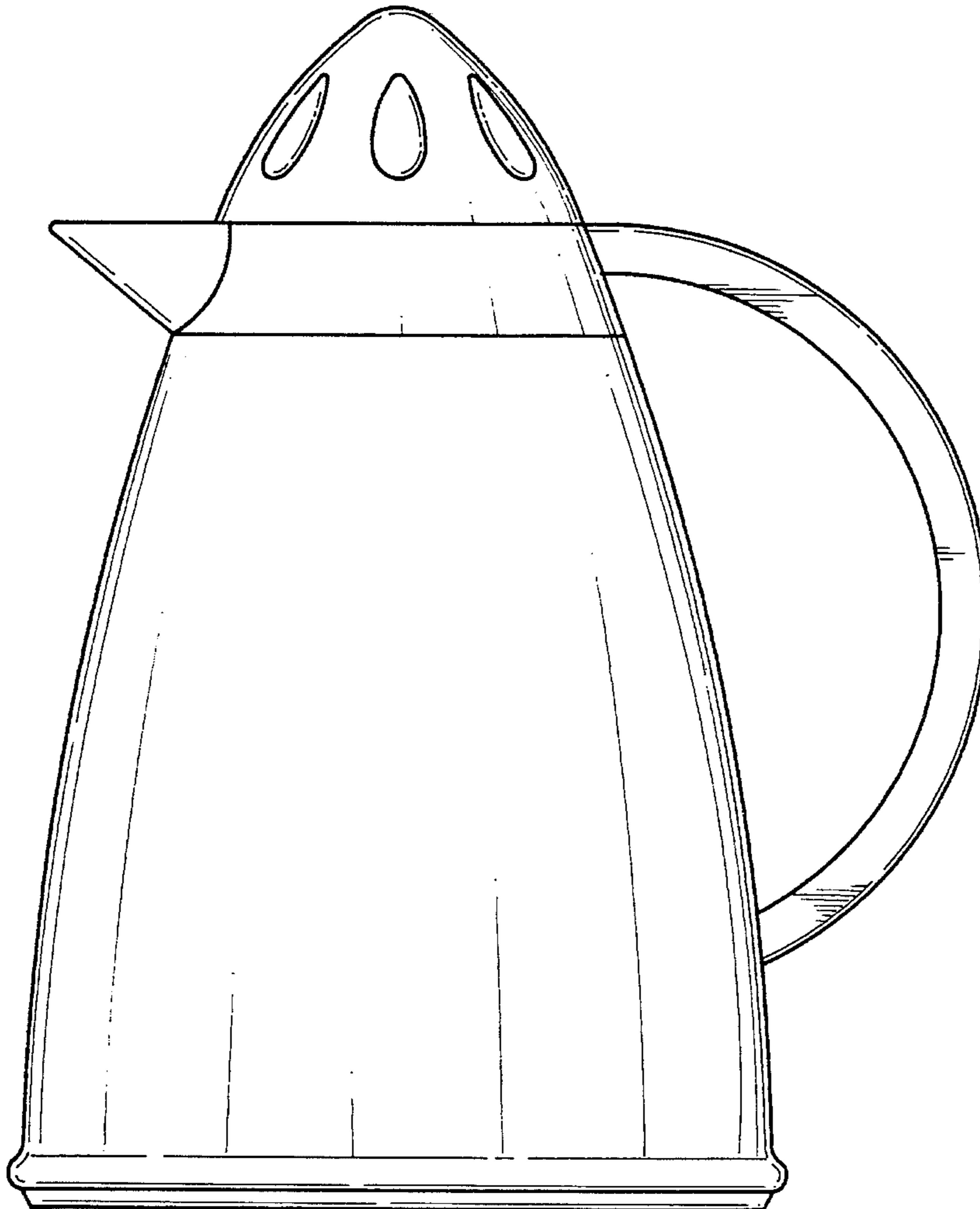




Fig. 1

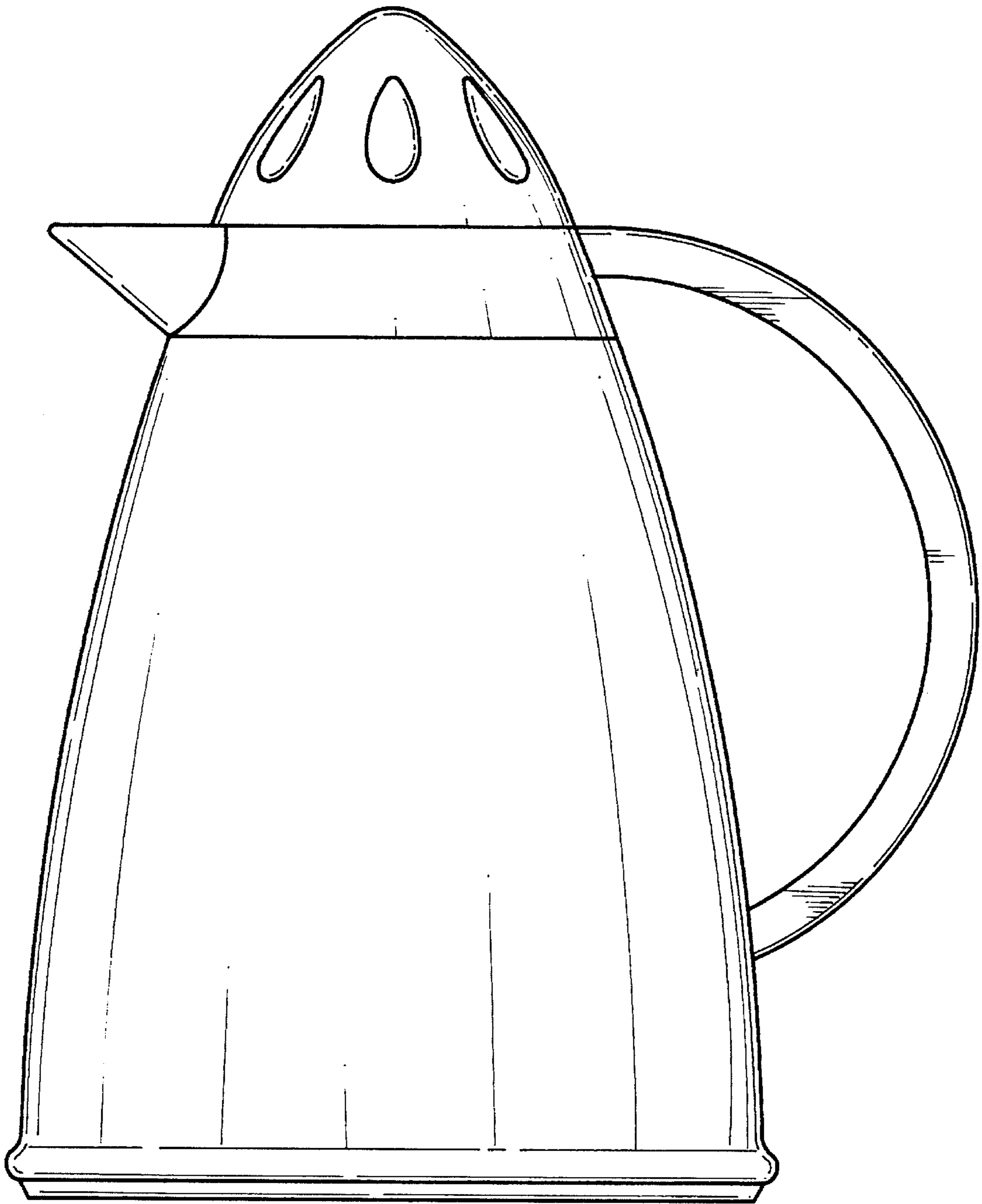


Fig. 2

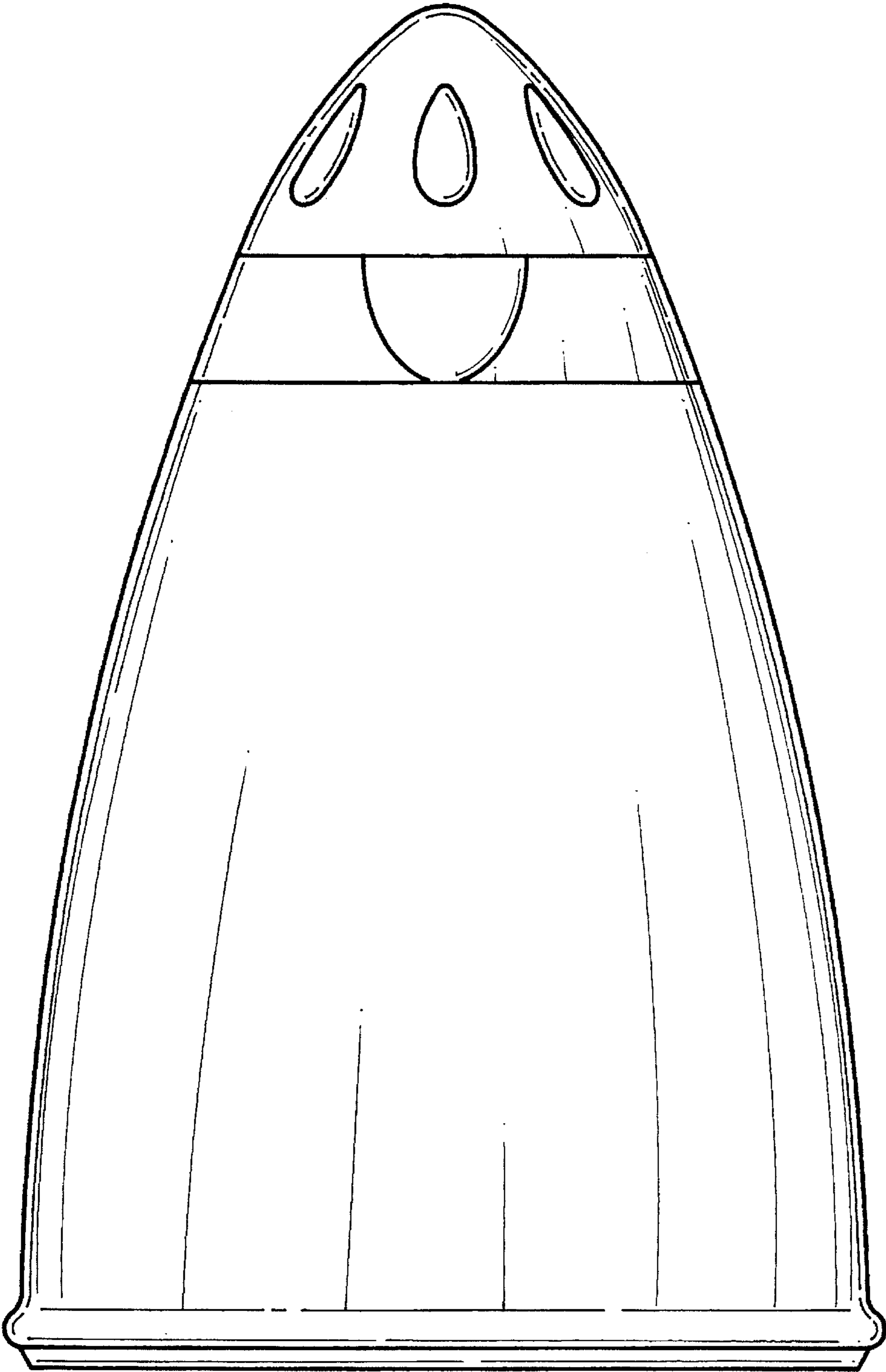


Fig. 3

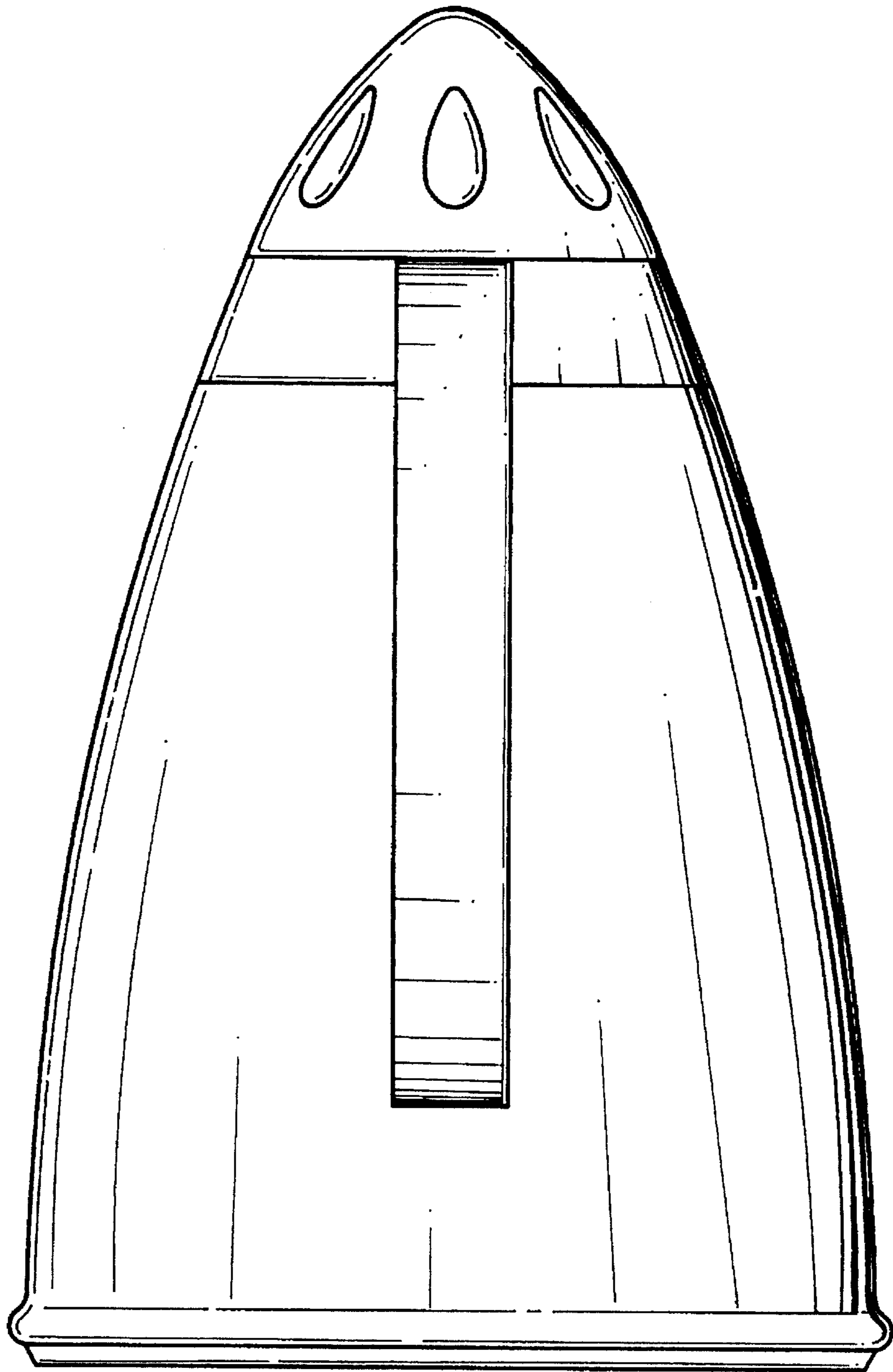


Fig. 4

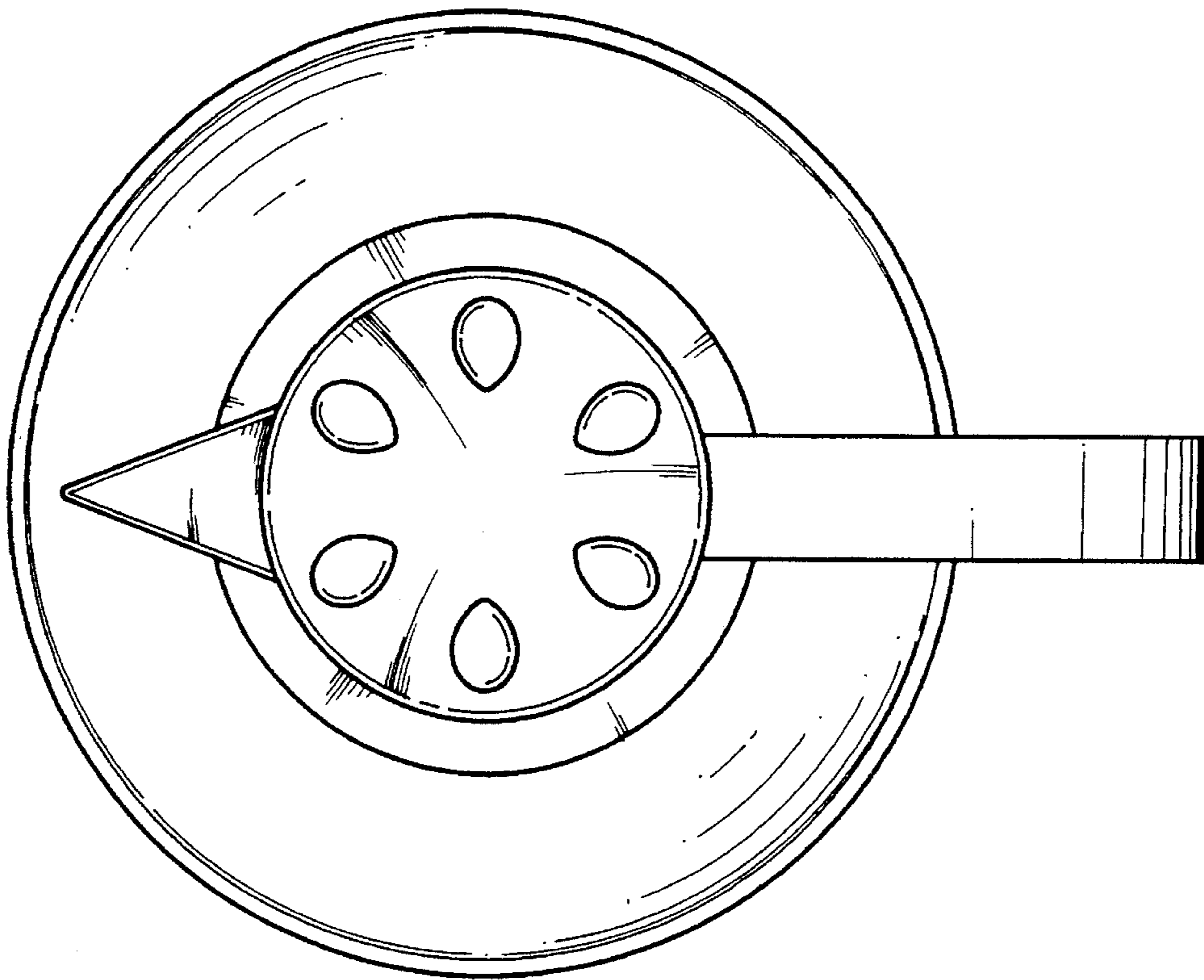


Fig. 5

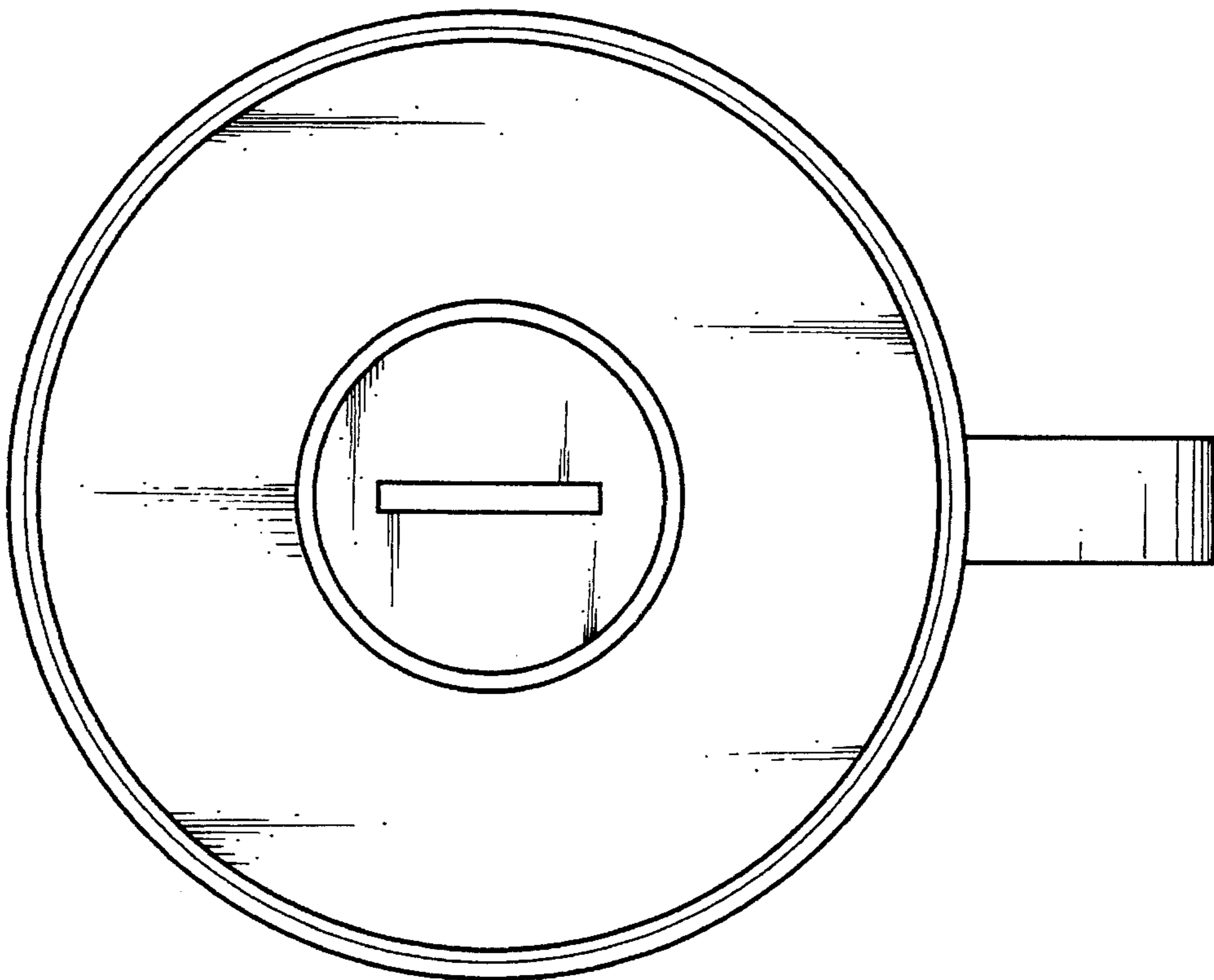


Fig. 6