



US00D369713S

United States Patent [19] Guadalupi

[11] Patent Number: **Des. 369,713**

[45] Date of Patent: ****May 14, 1996**

[54] **DISPENSING UNIT FOR SOFT-DRINKS**

[75] Inventor: **Riccardo Guadalupi**, Ponteranica, Italy

[73] Assignee: **Vin Service S.r.l.**, Bergamo, Italy

[**] Term: **14 Years**

[21] Appl. No.: **7,606**

[22] Filed: **Apr. 26, 1993**

[30] **Foreign Application Priority Data**

Oct. 26, 1992 [IT] Italy MI9200713

[52] **U.S. Cl.** **D7/300; D7/306**

[58] **Field of Search** D7/300, 398, 397,
D7/305, 306, 387, 307, 308, 313; 222/129.1,
129.2, 129.3, 129.4, 132, 30, 641; D20/4,
5

[56] **References Cited**

U.S. PATENT DOCUMENTS

D. 185,006	4/1959	Langevin	D7/313 X
D. 194,420	1/1963	Cornelius	D7/308
D. 194,527	2/1963	Cornelius	D7/308
D. 195,810	8/1963	Hodgman	D7/308

D. 195,811	8/1963	Hodgman	D7/308
D. 201,860	8/1965	Reichow	D7/308
D. 218,083	7/1970	Hartley	D7/308
D. 231,502	4/1974	Allard	D7/308
D. 305,857	2/1990	Schechter et al.	D7/397
D. 340,616	10/1993	Williams et al.	D7/398
D. 344,099	2/1994	Koenig	D20/4

Primary Examiner—M. N. Pandozzi

Attorney, Agent, or Firm—George P. Hoare, Jr.; Rogers & Wells

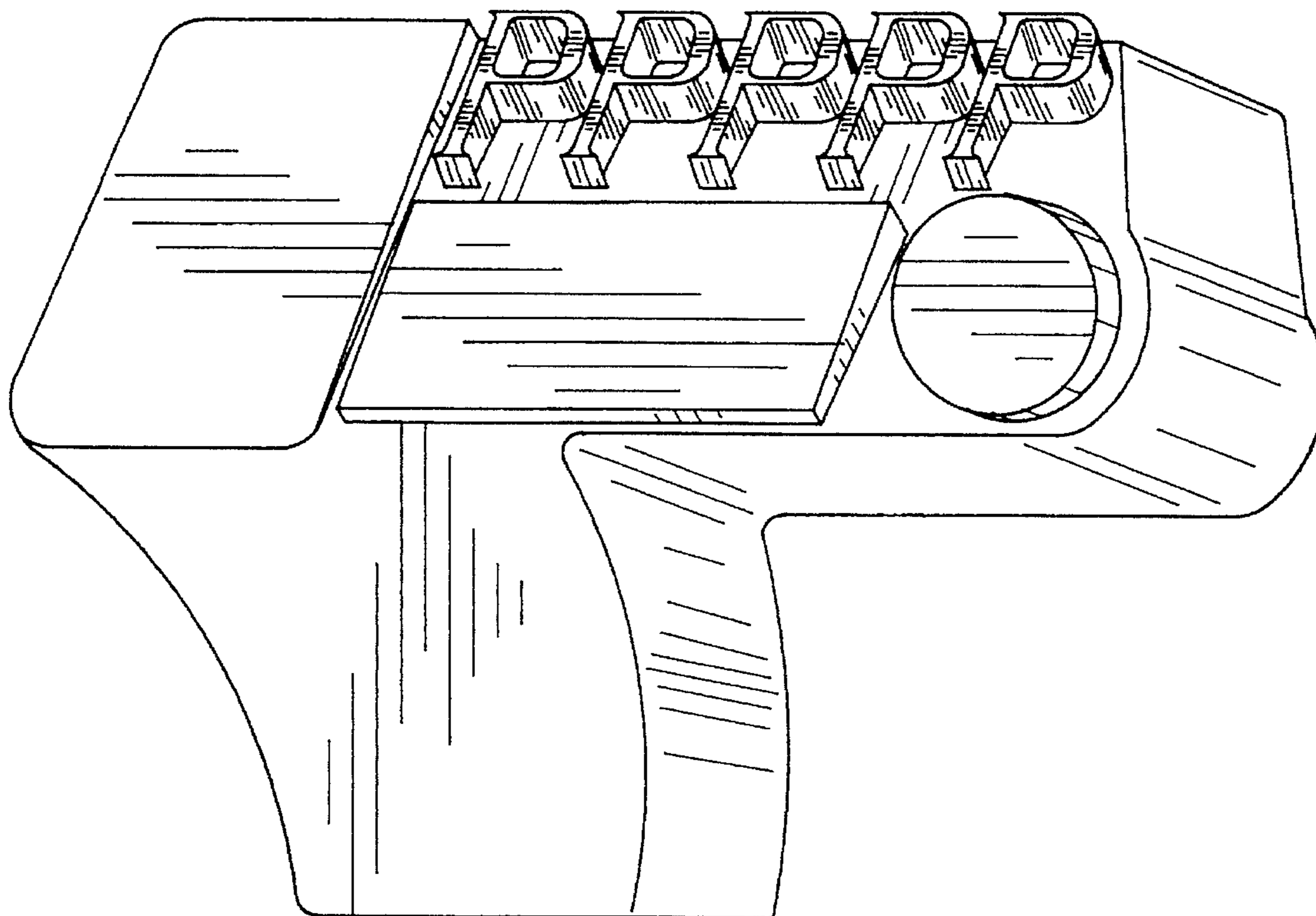
[57] CLAIM

The ornamental design for a dispensing unit for soft-drinks, as shown and described.

DESCRIPTION

FIG. 1 is a front perspective view of a dispensing unit for soft drinks showing my design;
FIG. 2 is right side elevational view thereof;
FIG. 3 is a left side elevational view thereof;
FIG. 4 is a front elevational view thereof;
FIG. 5 is a rear elevational view thereof;
FIG. 6 is a top plan view thereof; and,
FIG. 7 is a bottom plan view thereof.

1 Claim, 3 Drawing Sheets



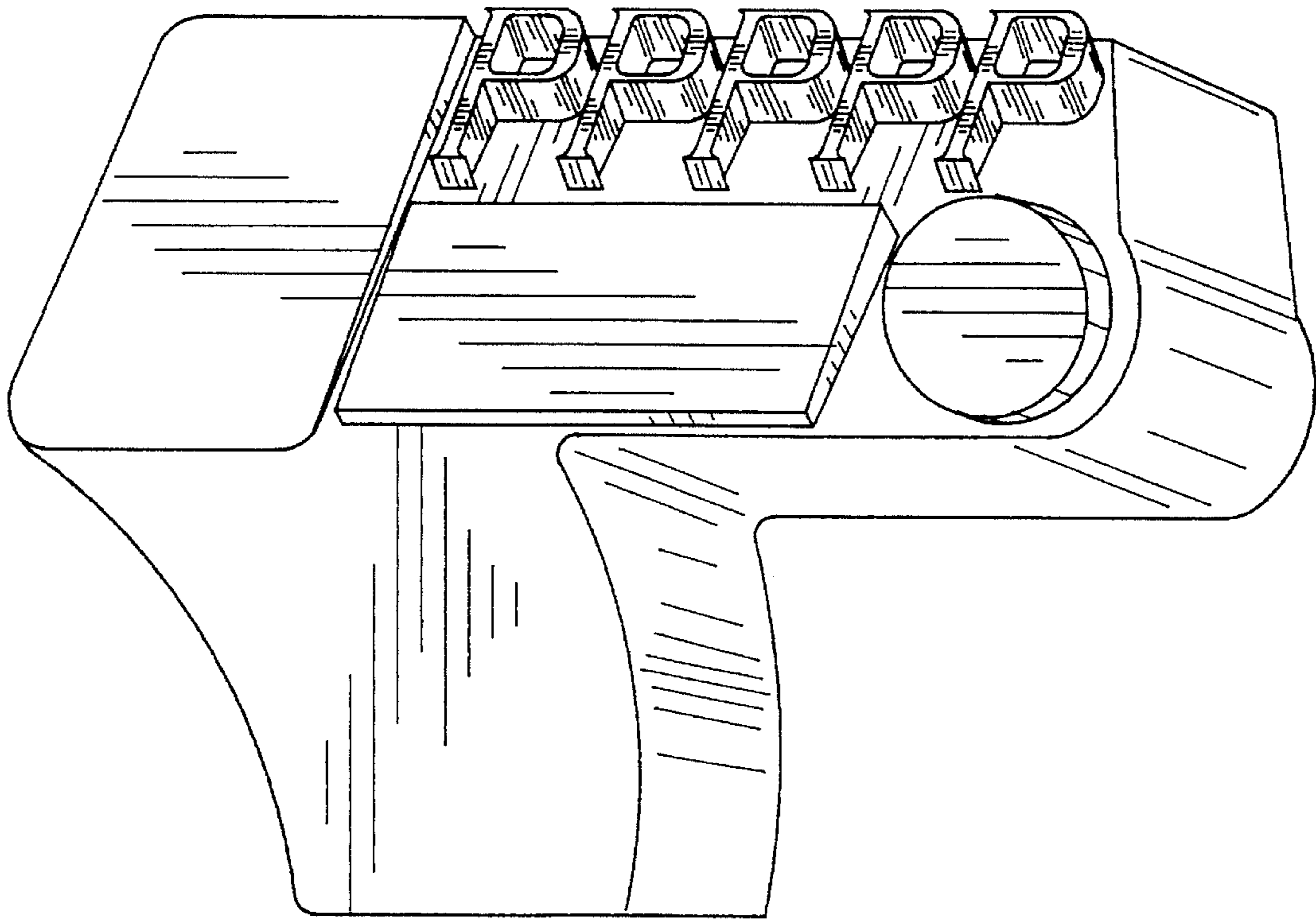


FIG. 1

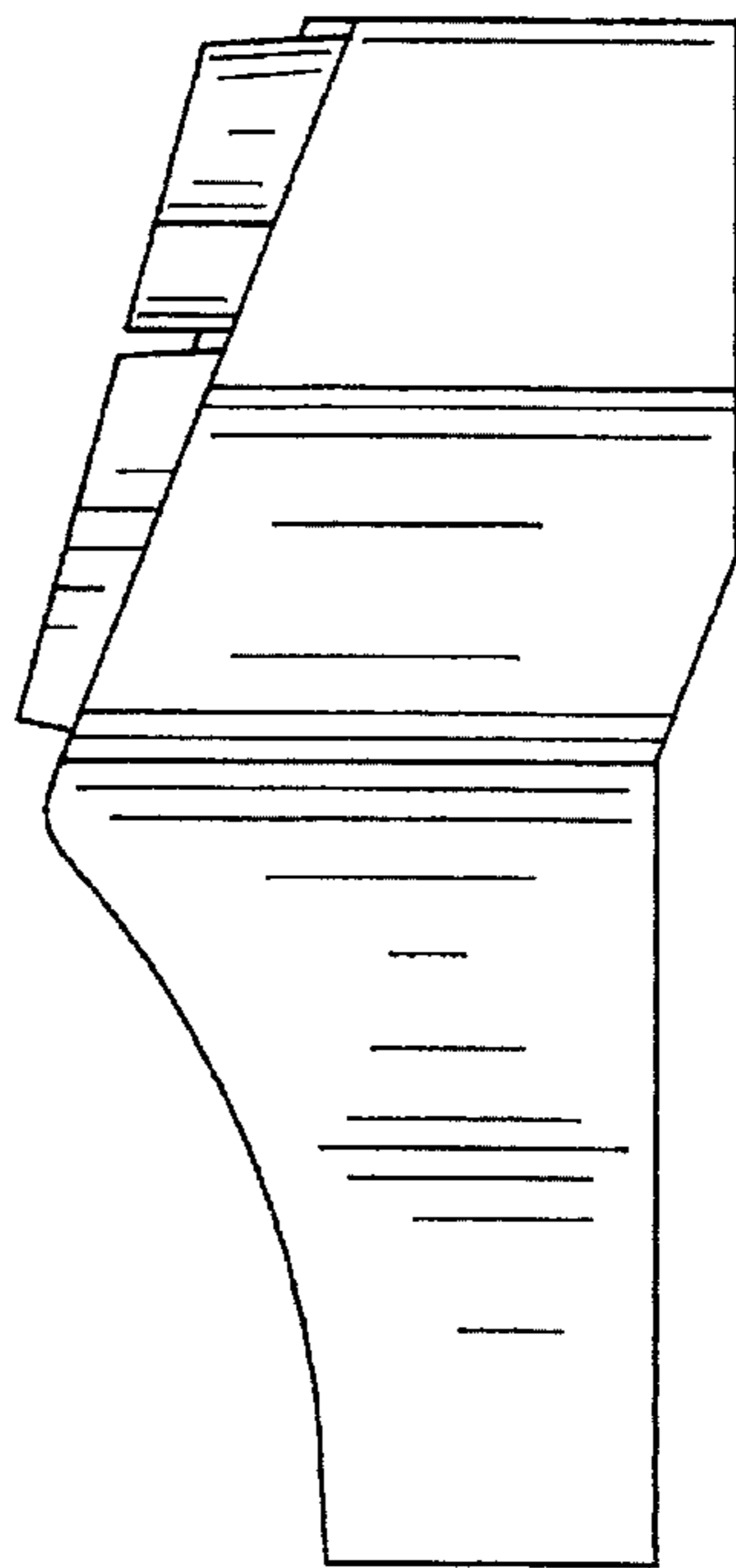


FIG. 2

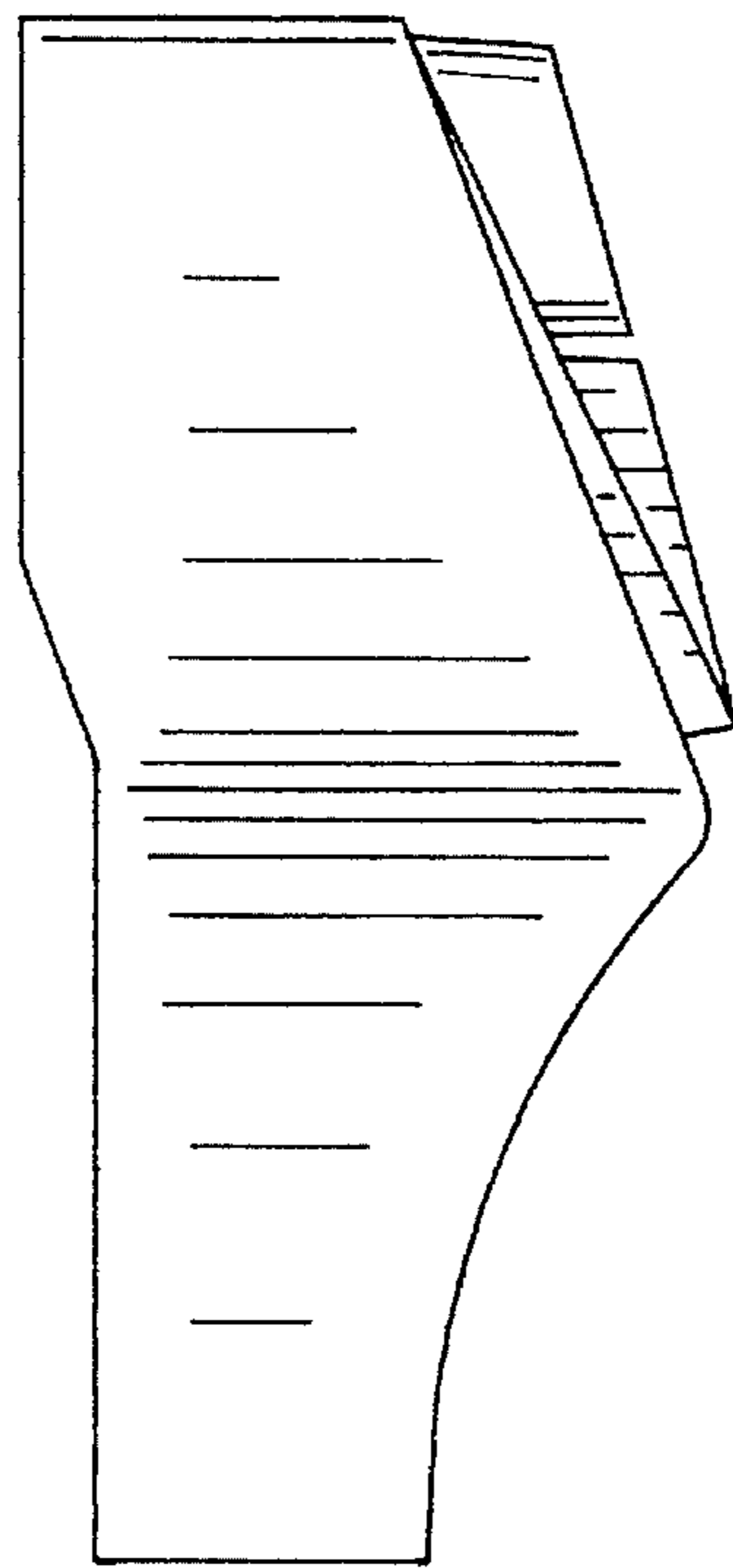


FIG. 3

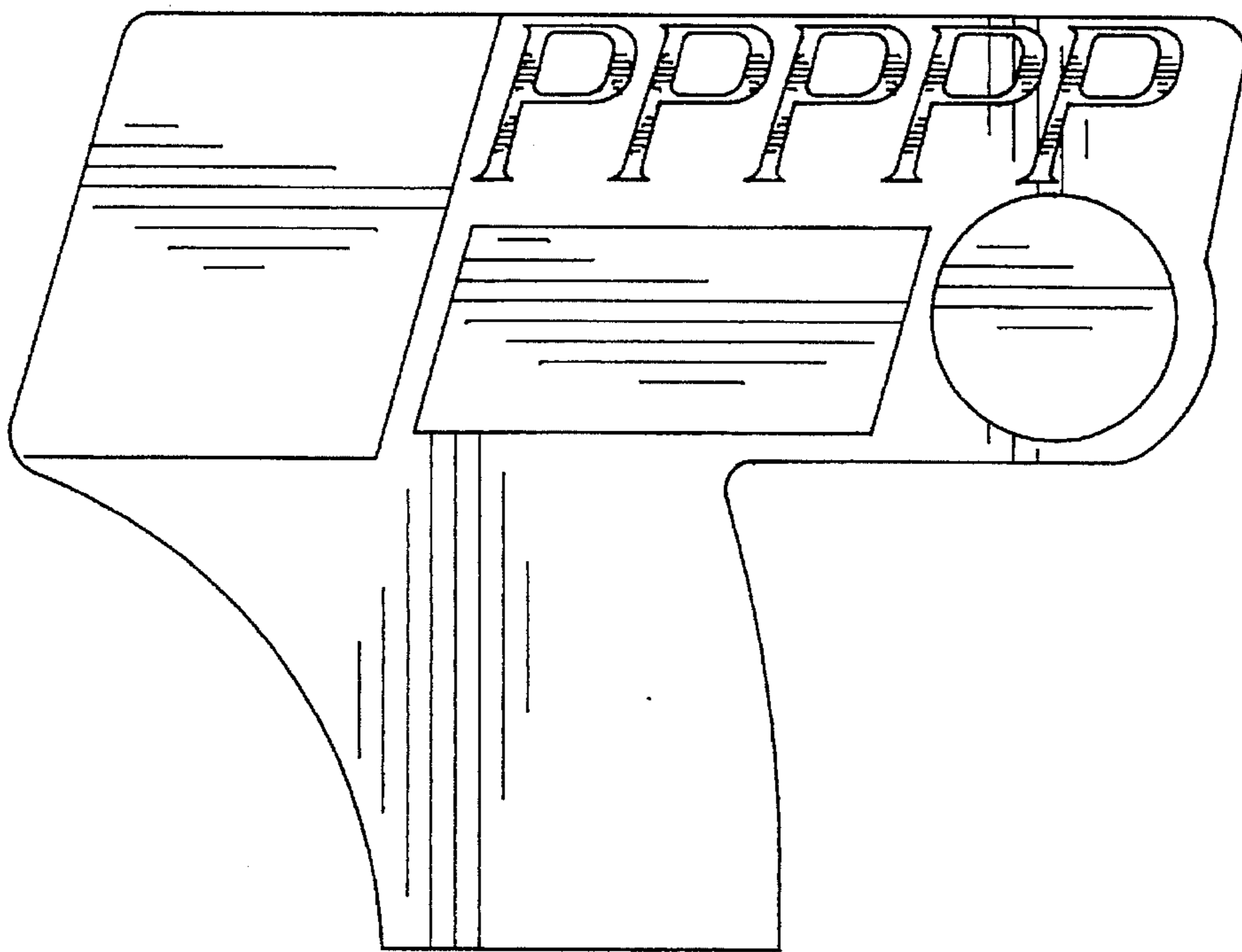


FIG. 4

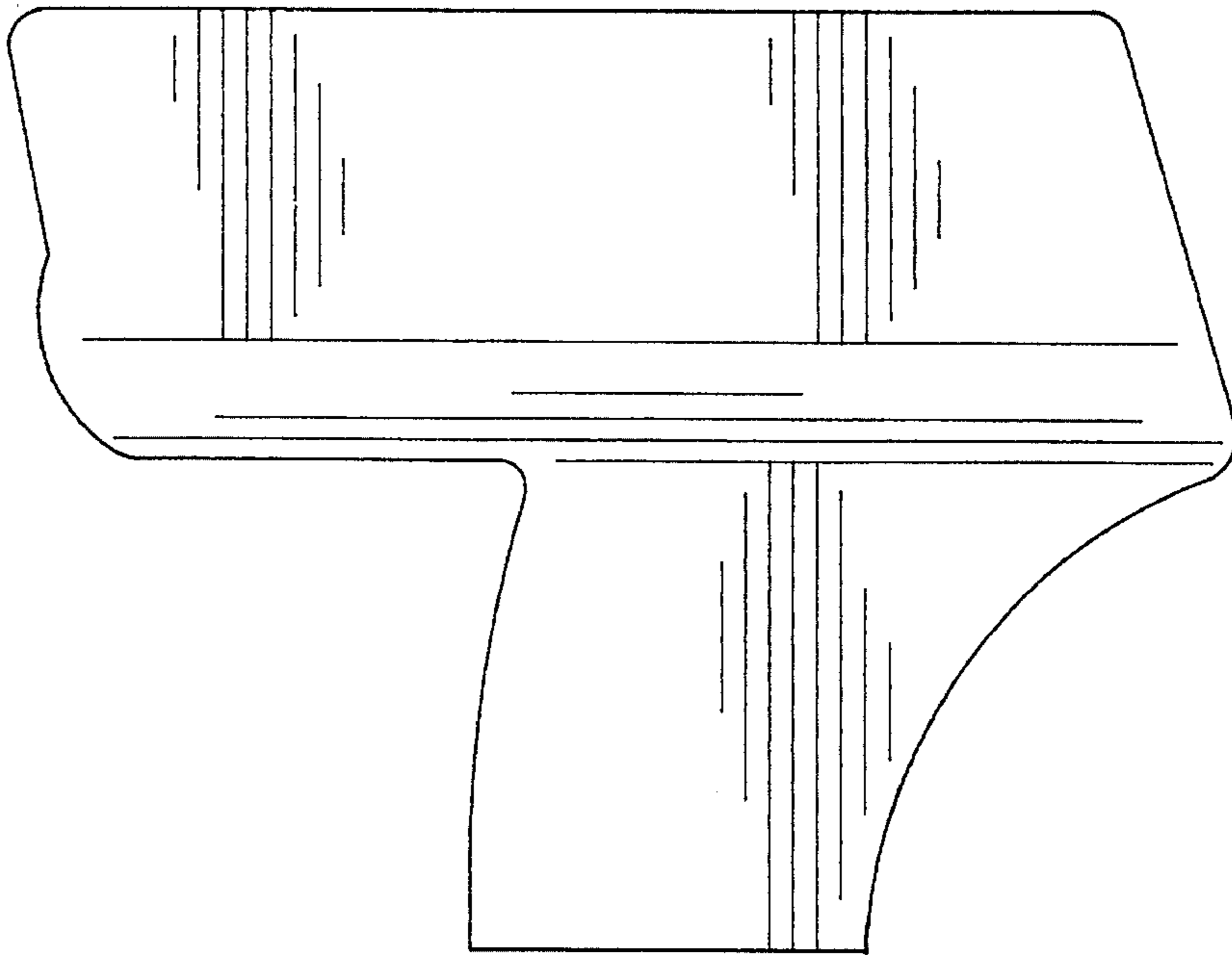


FIG. 5

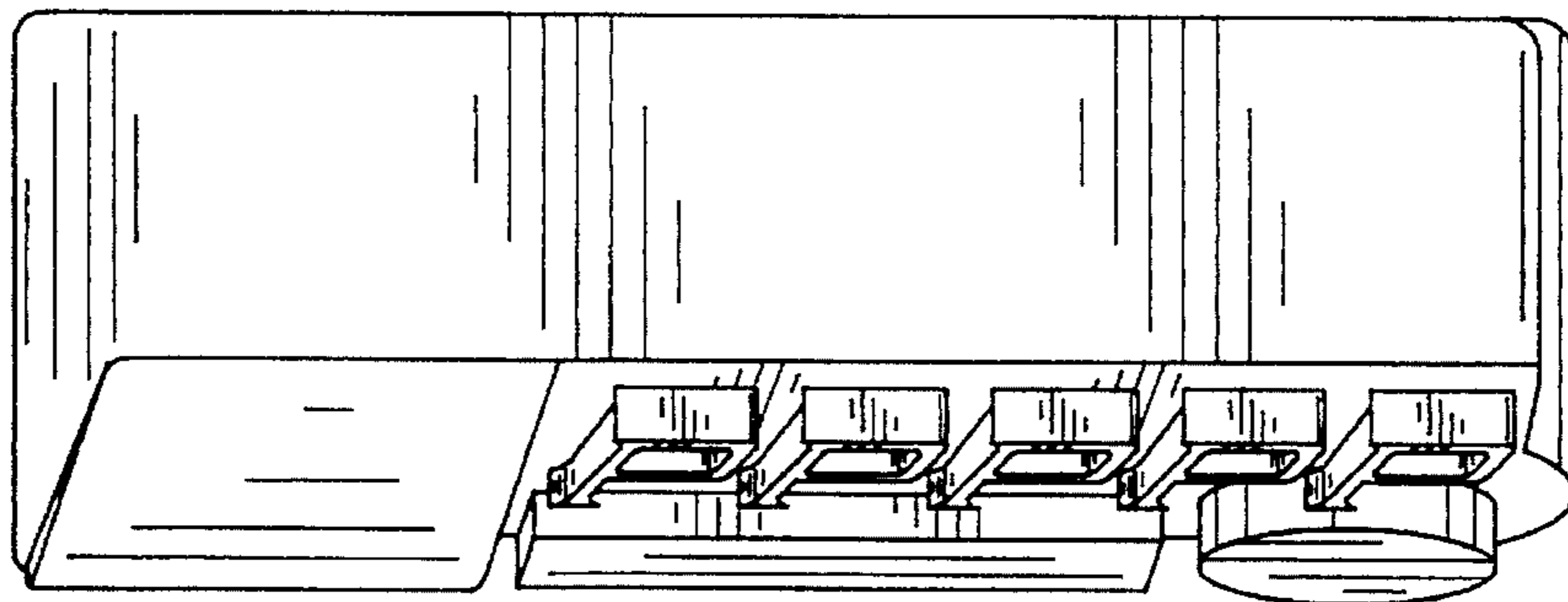


FIG. 6

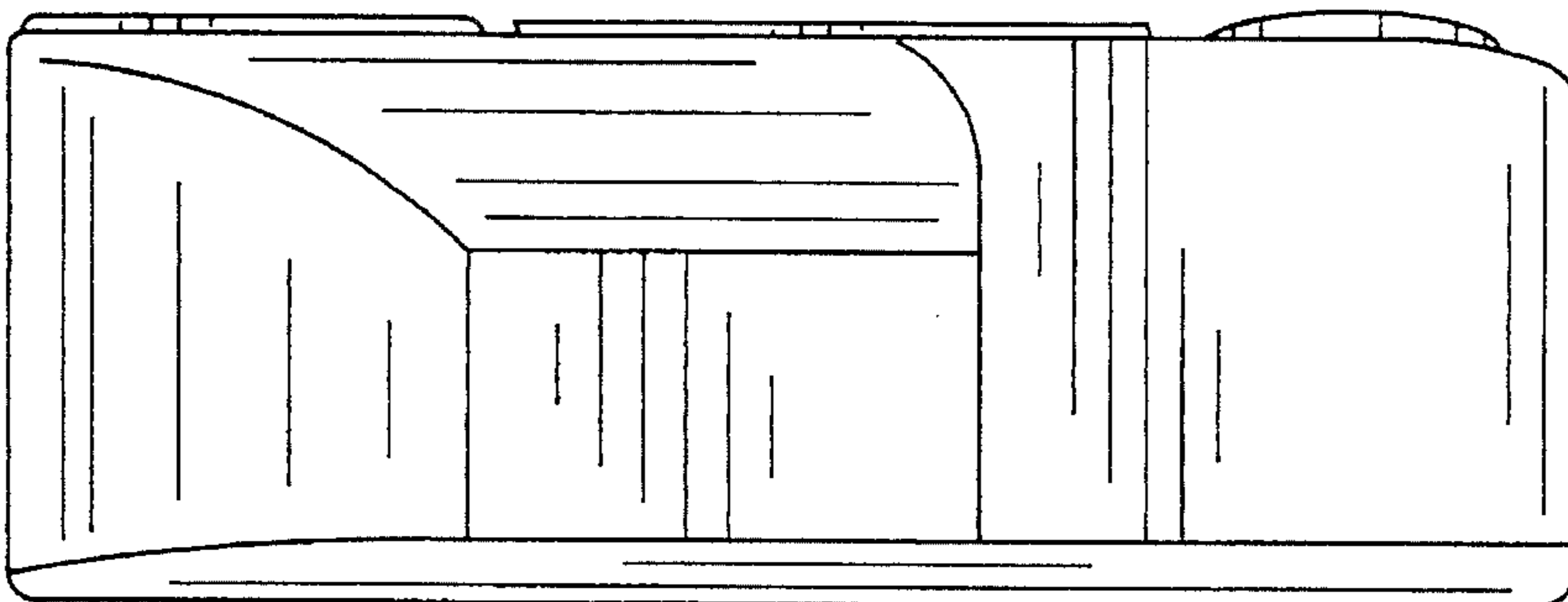


FIG. 7