



US00D369712S

United States Patent [19]

[11] Patent Number: **Des. 369,712**

Sankey et al.

[45] Date of Patent: ****May 14, 1996**

[54] COMPACT DISC STORAGE AND DISPLAY RACK

[75] Inventors: **James K. Sankey**, Hudson; **James T. Weisburn**, Massillon; **Charles S. Johnson**, Copley, all of Ohio

[73] Assignee: **Alpha Enterprises, Inc.**, North Canton, Ohio

[**] Term: **14 Years**

[21] Appl. No.: **38,946**

[22] Filed: **May 17, 1995**

[52] U.S. Cl. **D6/629**

[58] Field of Search D6/626-635, 407; 211/90, 41, 42; 312/9.1; 206/387, 387.1, 387.14, 387.15, 307.1, 308.1, 308.3, 312, 313, 315.9; 369/272, 273; D19/8, 27, 75, 76, 91

[56] References Cited

U.S. PATENT DOCUMENTS

D. 221,237	7/1971	Connan	D6/407
D. 237,338	10/1975	Berkman	D6/407 X
D. 308,129	5/1990	Walden	D6/629
4,270,461	6/1981	Schramm	211/40 X
5,096,648	3/1992	Johnson et al.	211/134 X

FOREIGN PATENT DOCUMENTS

3342484	6/1985	Germany	211/134
---------	--------	---------	-------	---------

OTHER PUBLICATIONS

Supreme-Royce Enterprise Co., Ltd. Visual Musical Software's A/V.CD.LD Catalog 1994.

Primary Examiner—Alan P. Douglas

Assistant Examiner—S. Snapp

Attorney, Agent, or Firm—Sand & Sebolt

[57] CLAIM

The ornamental design for a compact disc storage and display rack, as shown and described.

DESCRIPTION

FIG. 1 is a perspective view of a first embodiment of a compact disc storage and display rack;

FIG. 2 is a top plan view of FIG. 1;

FIG. 3 is a side elevational view of FIG. 2, the opposite side being the same;

FIG. 4 is a side elevational view of FIG. 2 oriented 90° from that of FIG. 3, the opposite side being the same;

FIG. 5 is a bottom plan view of FIG. 2;

FIG. 6 is a perspective view similar to FIG. 1 of a second embodiment of the compact disc storage and display rack;

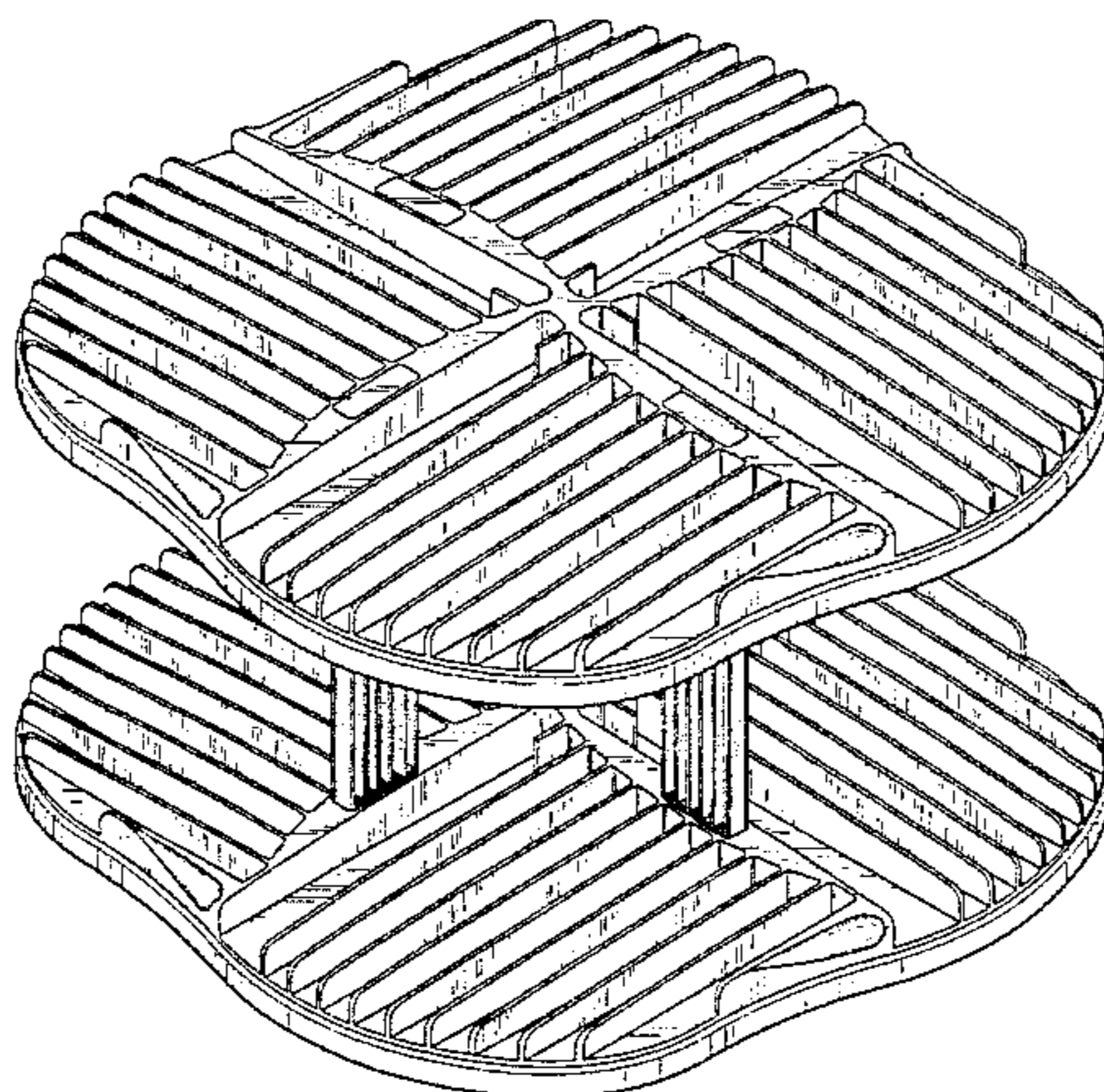
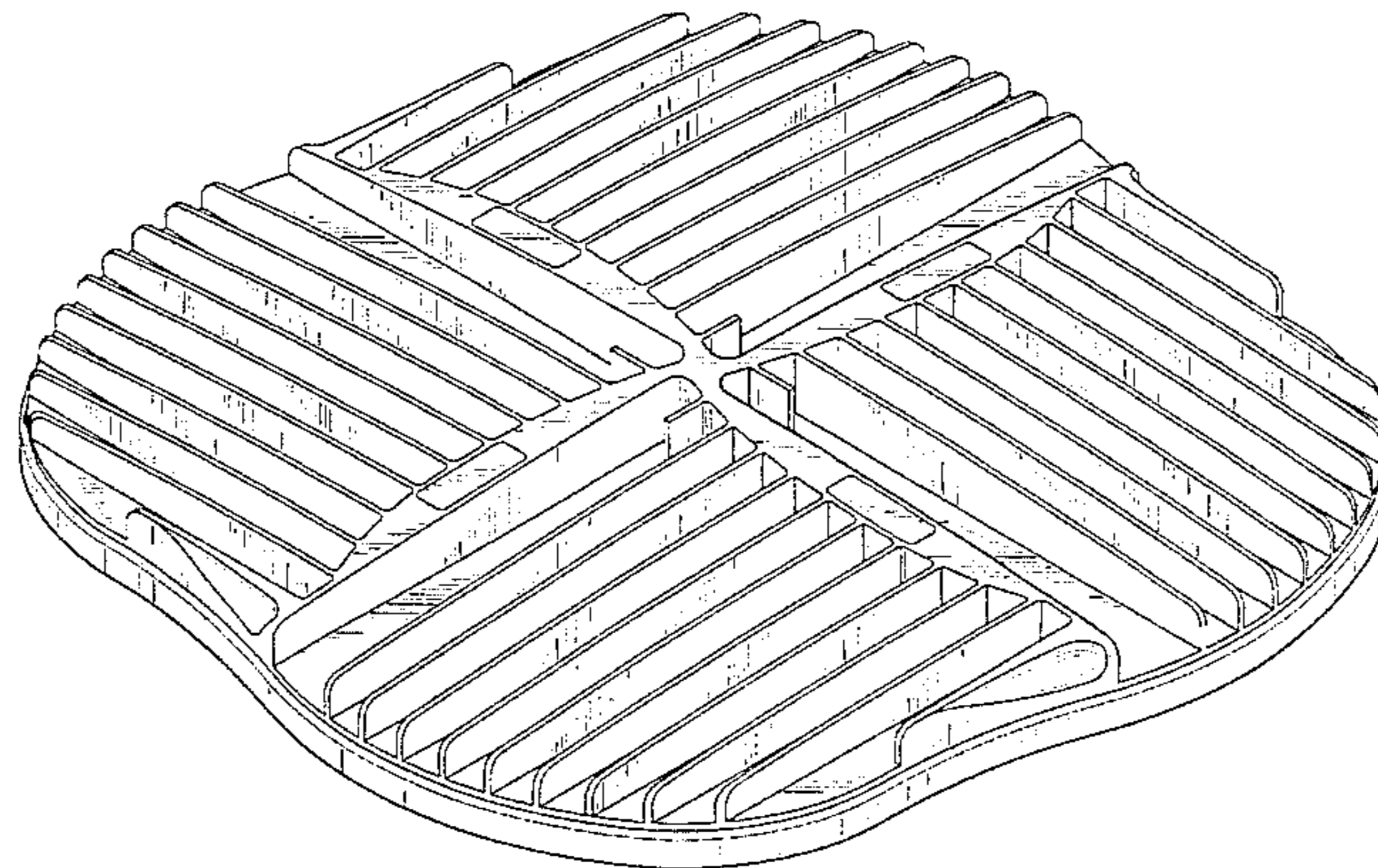
FIG. 7 is a side elevational view of FIG. 6, the opposite side being the same;

FIG. 8 is a side elevational view of FIG. 6 oriented 90° from that of FIG. 7, the opposite side being the same;

FIG. 9 is a bottom plan view of FIG. 6; and,

FIG. 10 is a perspective view similar to FIGS. 1 and 6 of a third embodiment of the compact disc storage and display rack.

1 Claim, 7 Drawing Sheets



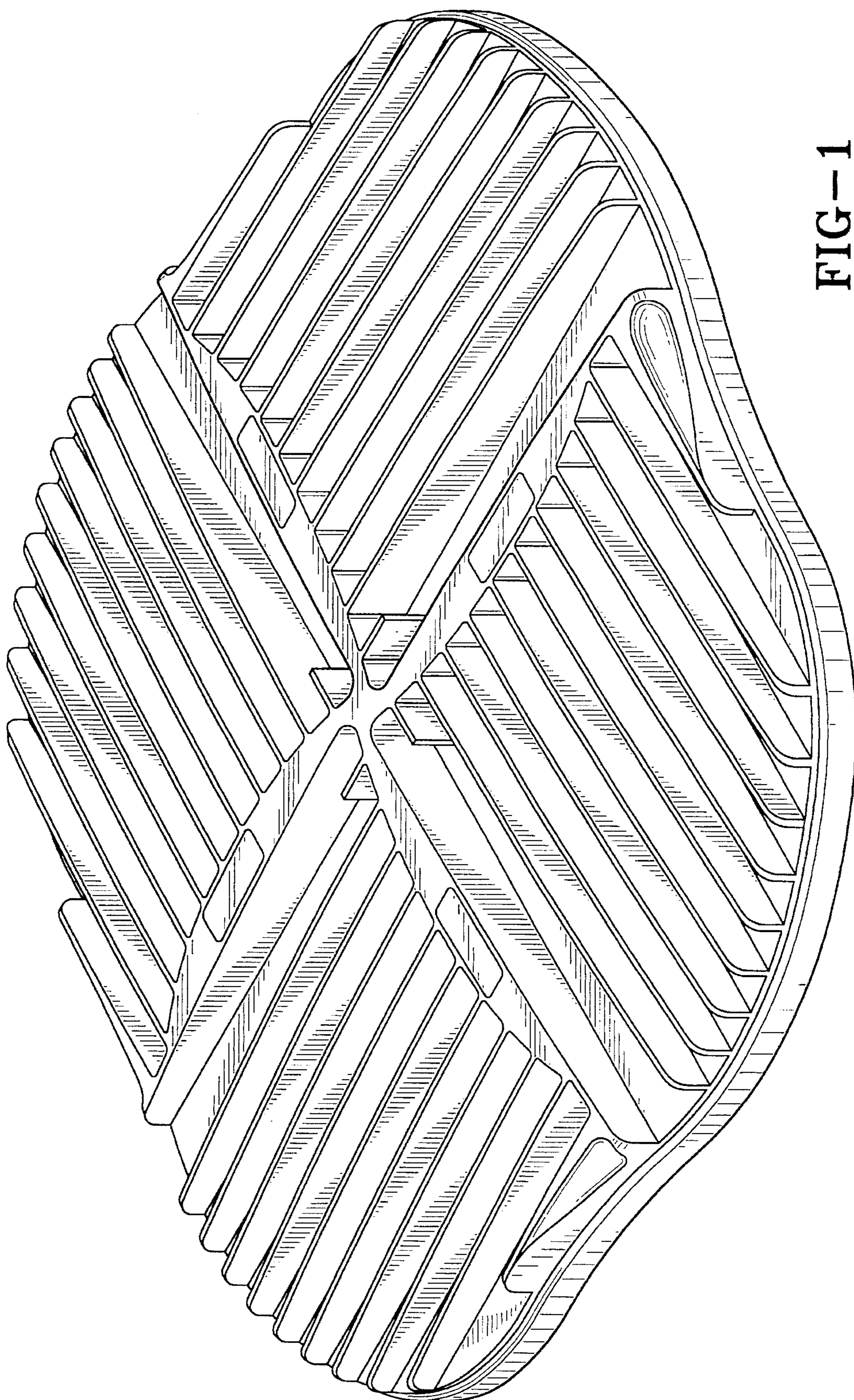


FIG-1

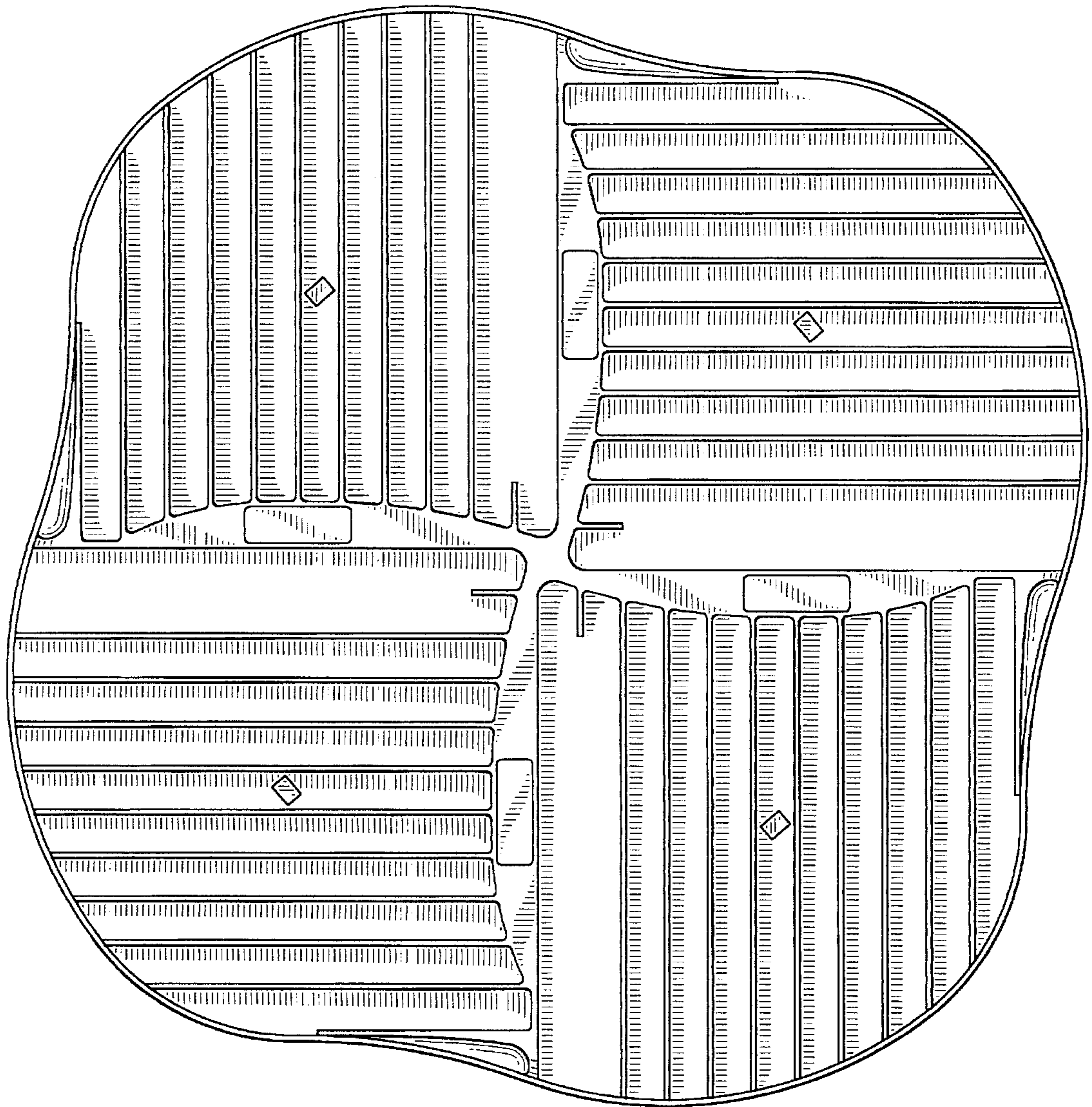


FIG-2

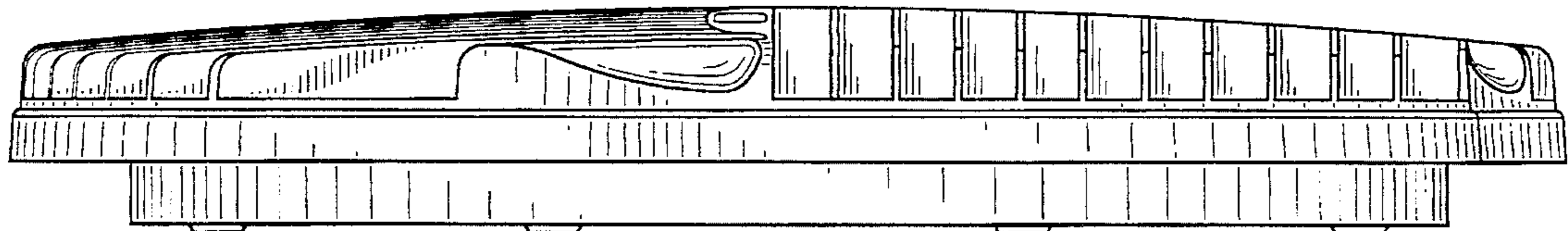


FIG-3

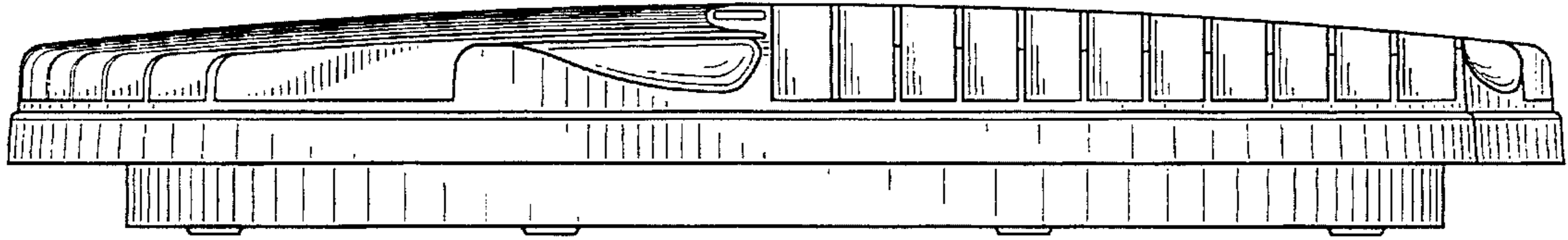


FIG-4

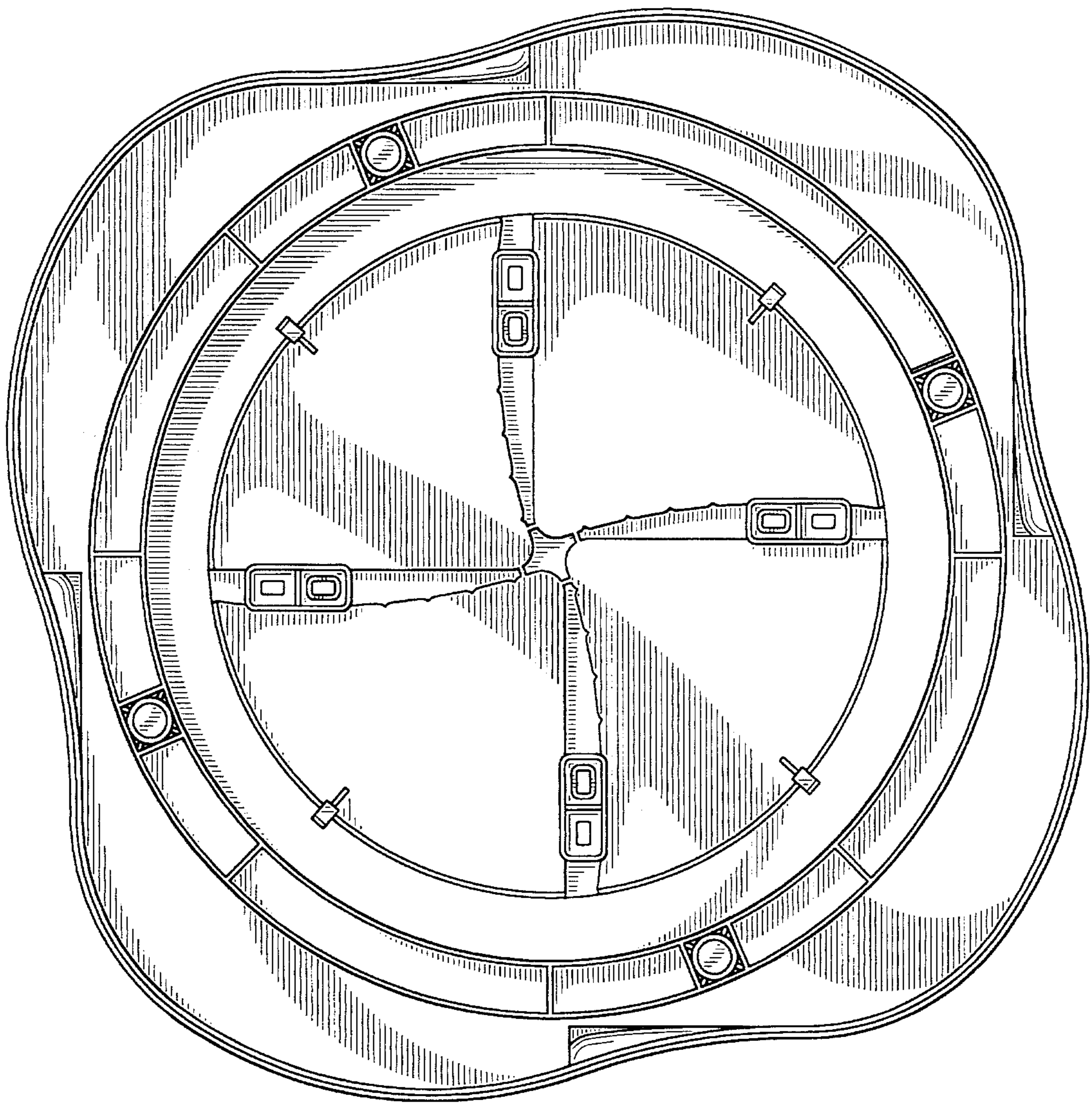


FIG-5

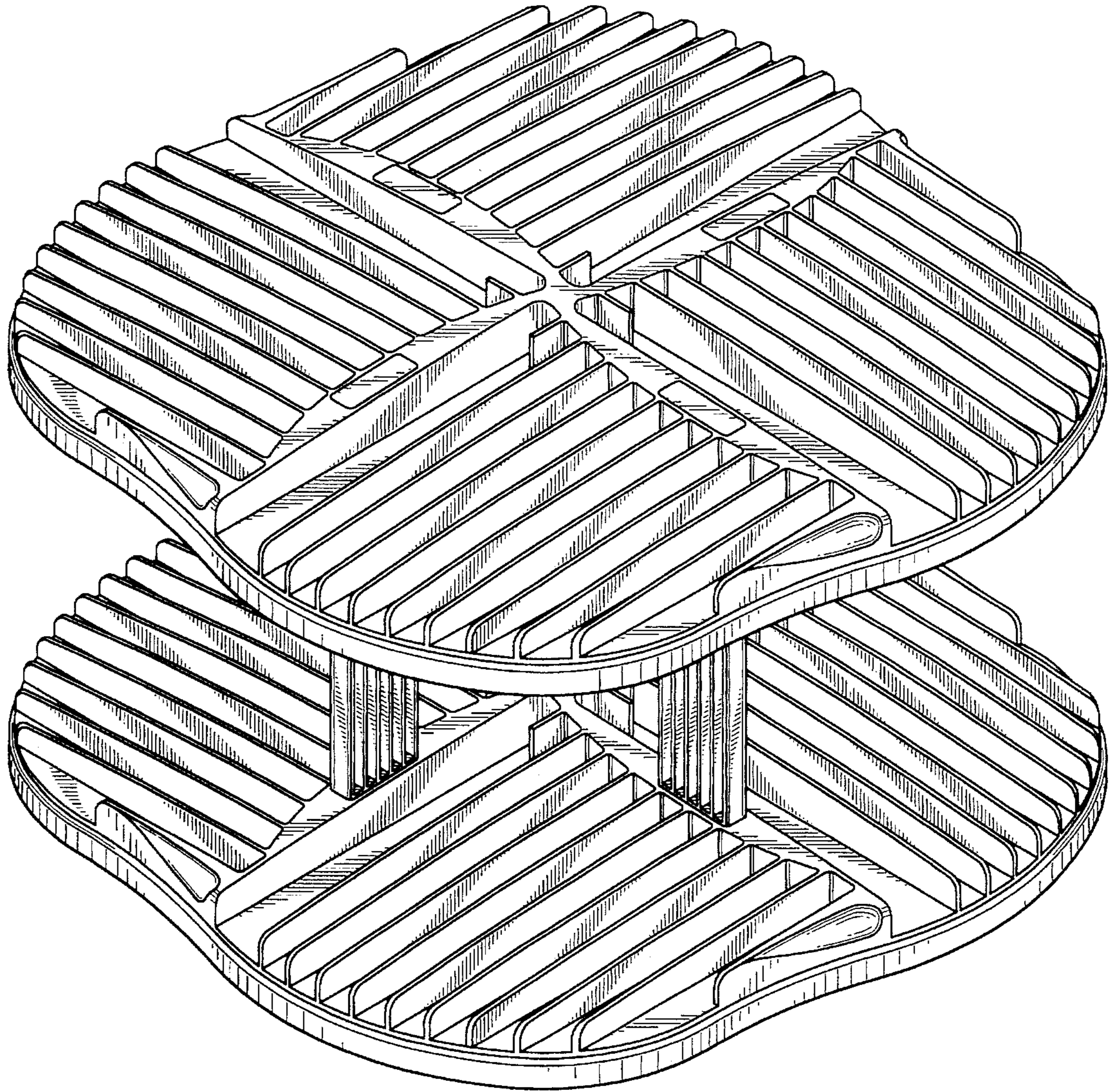


FIG-6

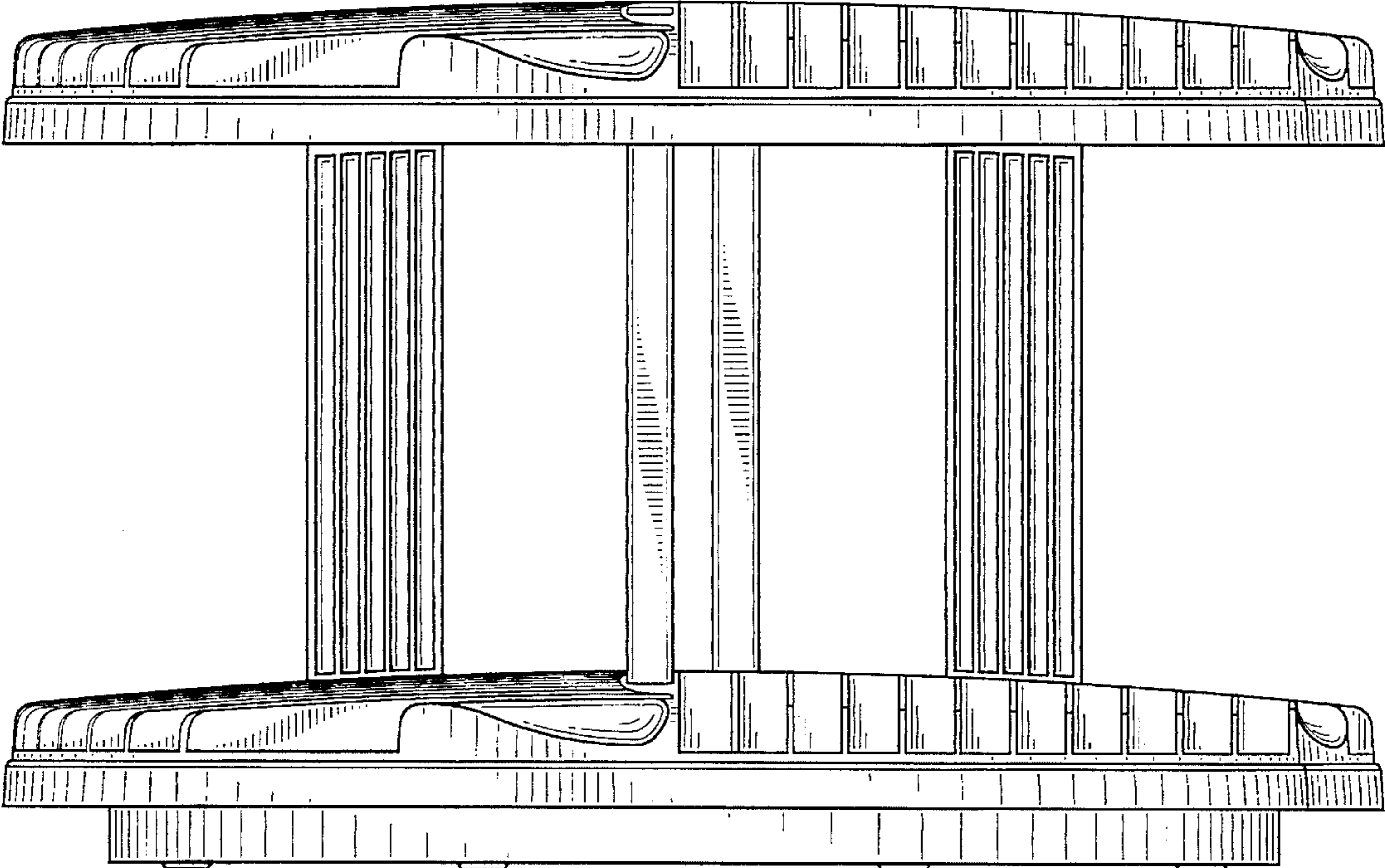


FIG-7

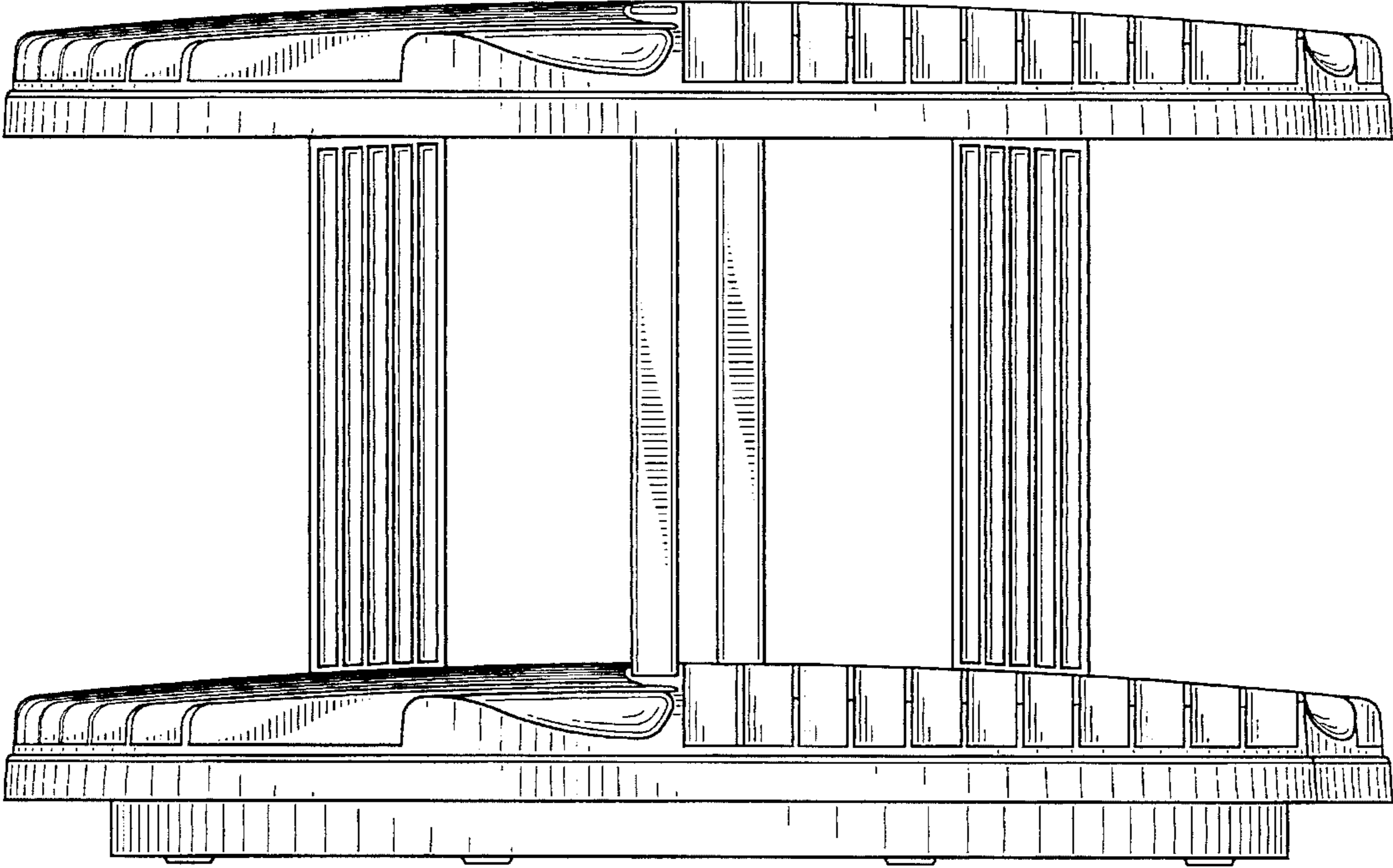


FIG-8

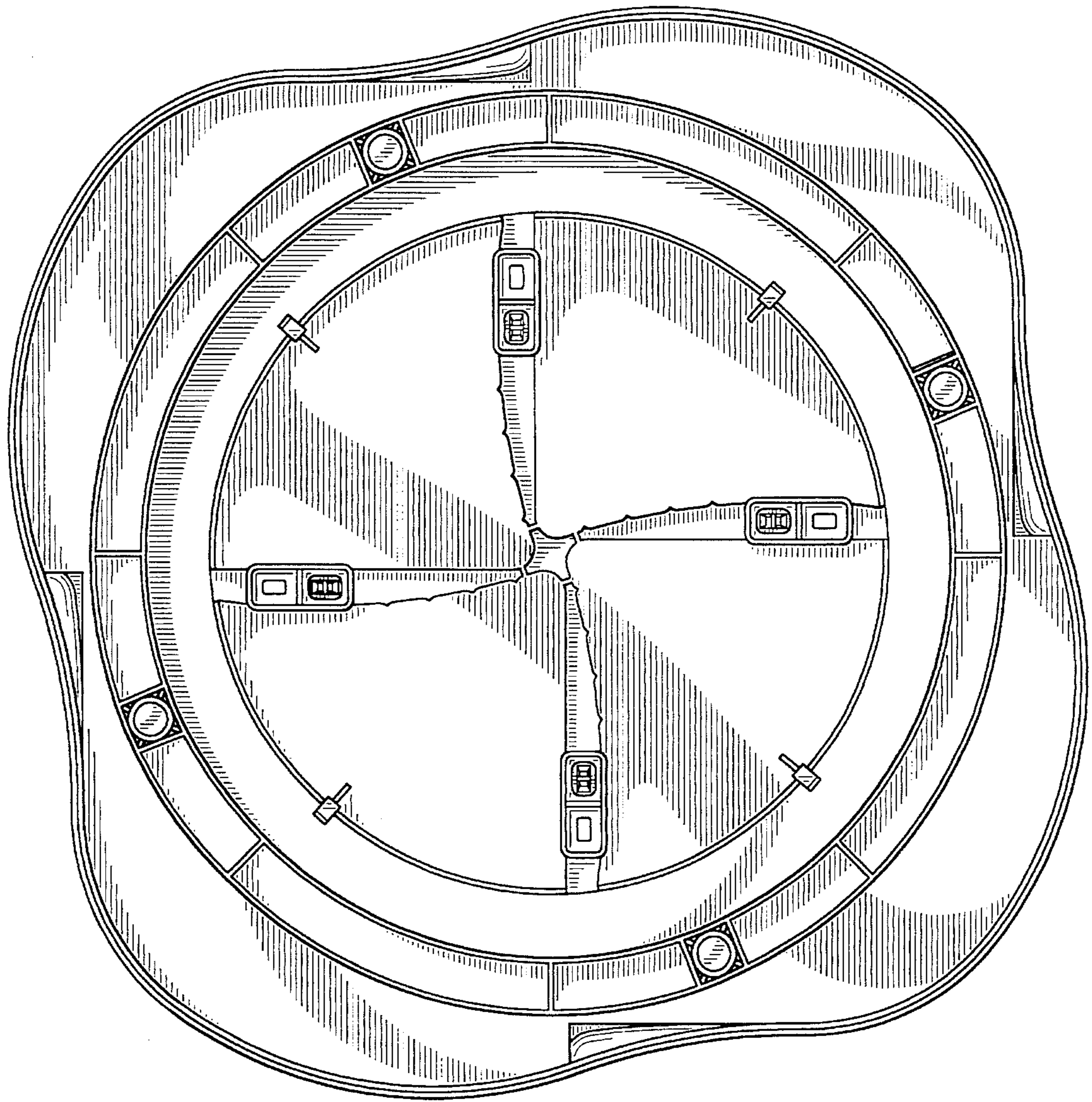


FIG-9

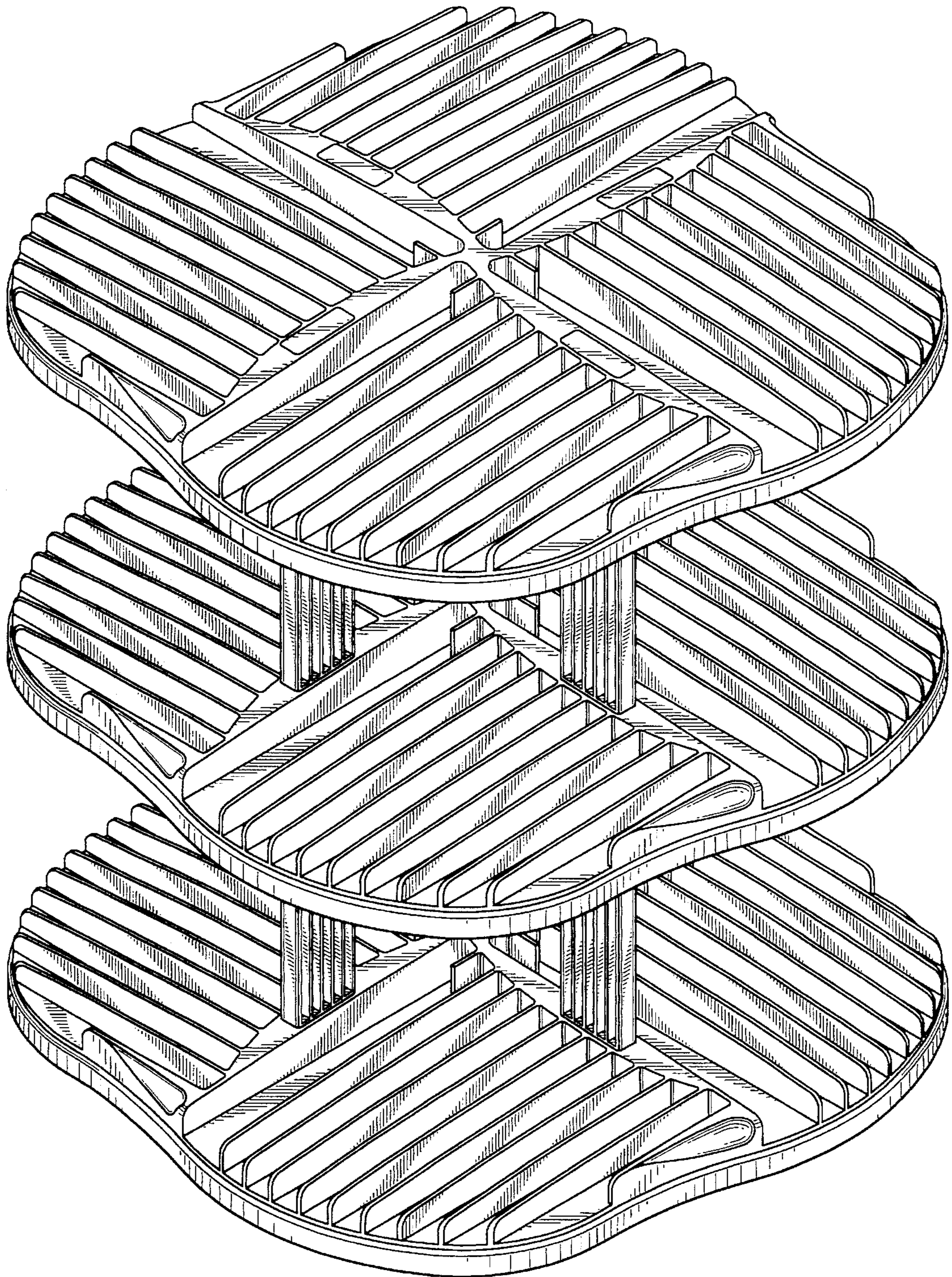


FIG-10