



US00D369710S

# United States Patent [19]

Picard et al.

[11] Patent Number: **Des. 369,710**

[45] Date of Patent: **\*\*May 14, 1996**

[54] **REVOLVING CONTAINER STORAGE ASSEMBLY**

2,936,901 5/1960 Siemantel ..... 211/77

[75] Inventors: **Serge Picard**, Charny; **Dominique Lesquir**, Buckland, both of Canada

*Primary Examiner*—Terry A. Wallace  
*Attorney, Agent, or Firm*—Robic

[73] Assignee: **Plasko Tech**, Charny, Canada

[\*\*] Term: **14 Years**

### [57] CLAIM

The ornamental design for a revolving container storage assembly, as shown and described.

[21] Appl. No.: **34,765**

[22] Filed: **Feb. 13, 1995**

[52] U.S. Cl. .... **D6/559**; D6/514; D6/569; D7/708

[58] **Field of Search** ..... D7/701-708; D6/559, D6/514, 456, 569; 211/71, 74, 75, 78, 80

### DESCRIPTION

FIG. 1 is a perspective view of a revolving container storage assembly showing our new design;

FIG. 2 is a front elevational view thereof;

FIG. 3 is a left elevational view thereof;

FIG. 4 is a right elevational view thereof;

FIG. 5 is a top plan view thereof;

FIG. 6 is a bottom plan view thereof;

FIG. 7 is a view similar to FIG. 6, showing the assembly without the broken line; and,

FIG. 8 is a rear view thereof.

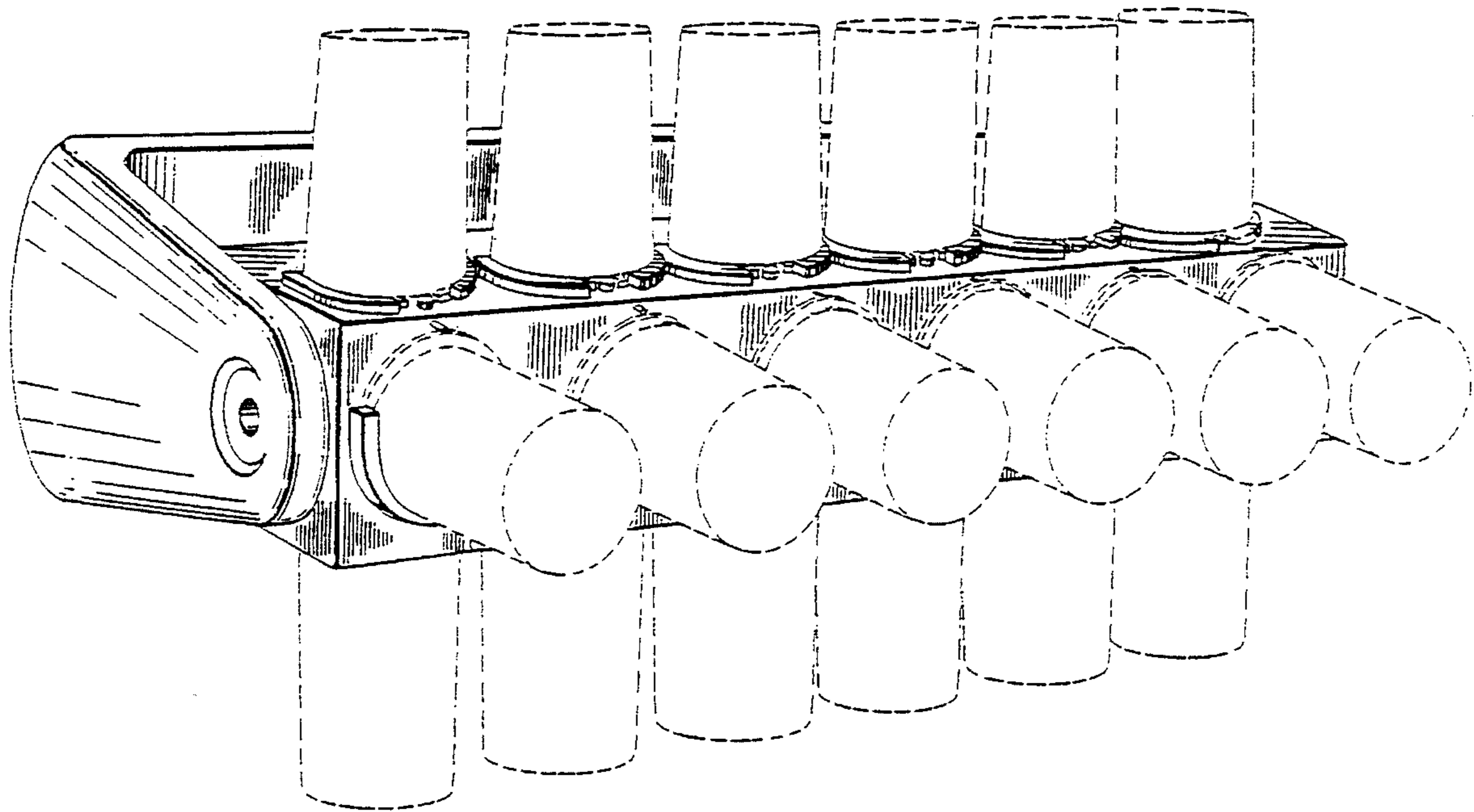
The broken lines showing the containers are for illustrative purposes only and form no part of the claimed design.

### [56] References Cited

#### U.S. PATENT DOCUMENTS

D. 225,870	1/1973	Morqison	.....	D7/708	X
D. 278,585	4/1985	Oldham	.....	D7/707	X
D. 291,637	9/1987	Burin	.....	D6/514	
D. 329,573	9/1992	Picard	.....	D7/707	X
2,911,107	11/1959	Francavillo	.....	211/78	

**1 Claim, 7 Drawing Sheets**



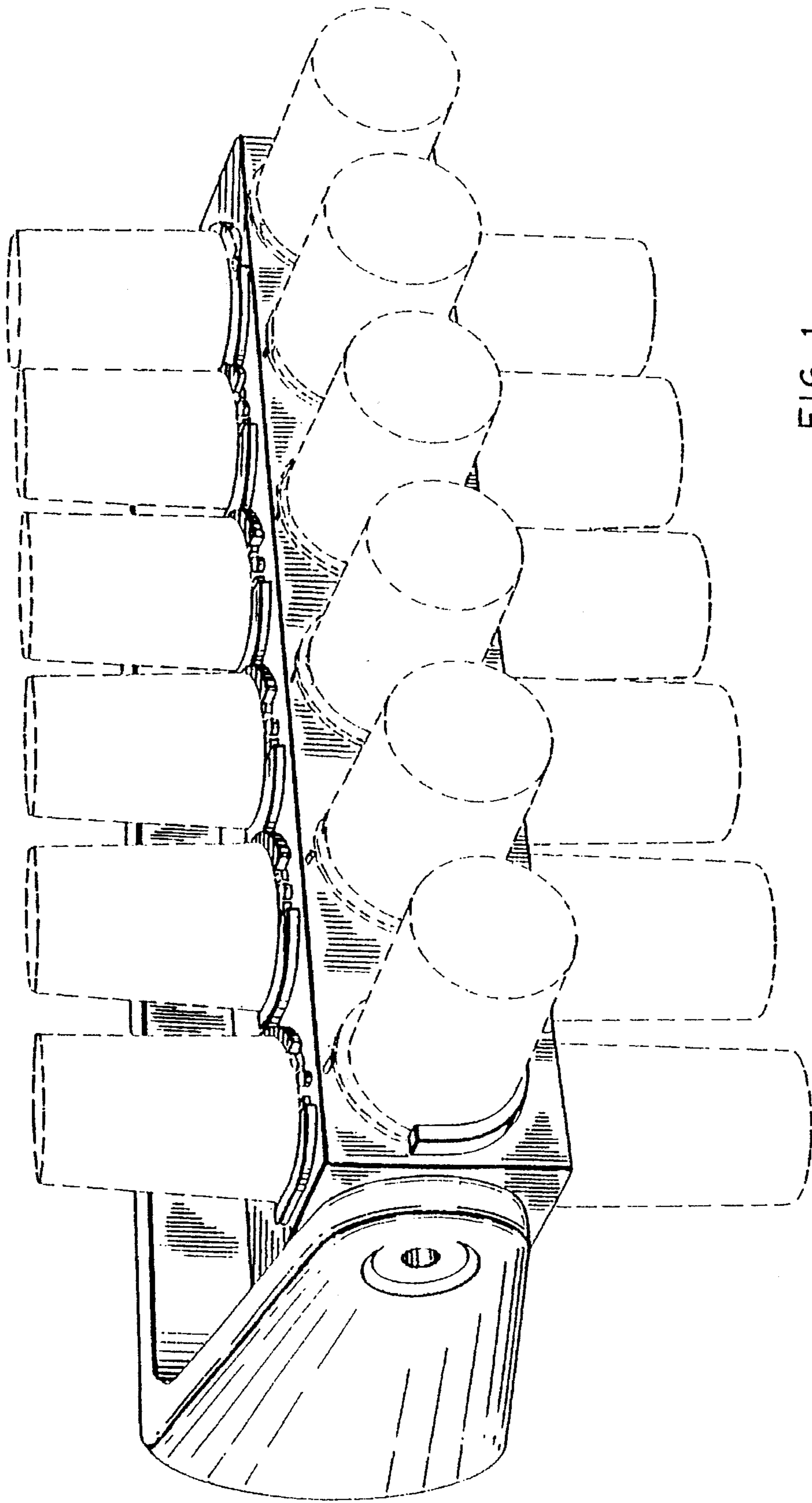


FIG. 1

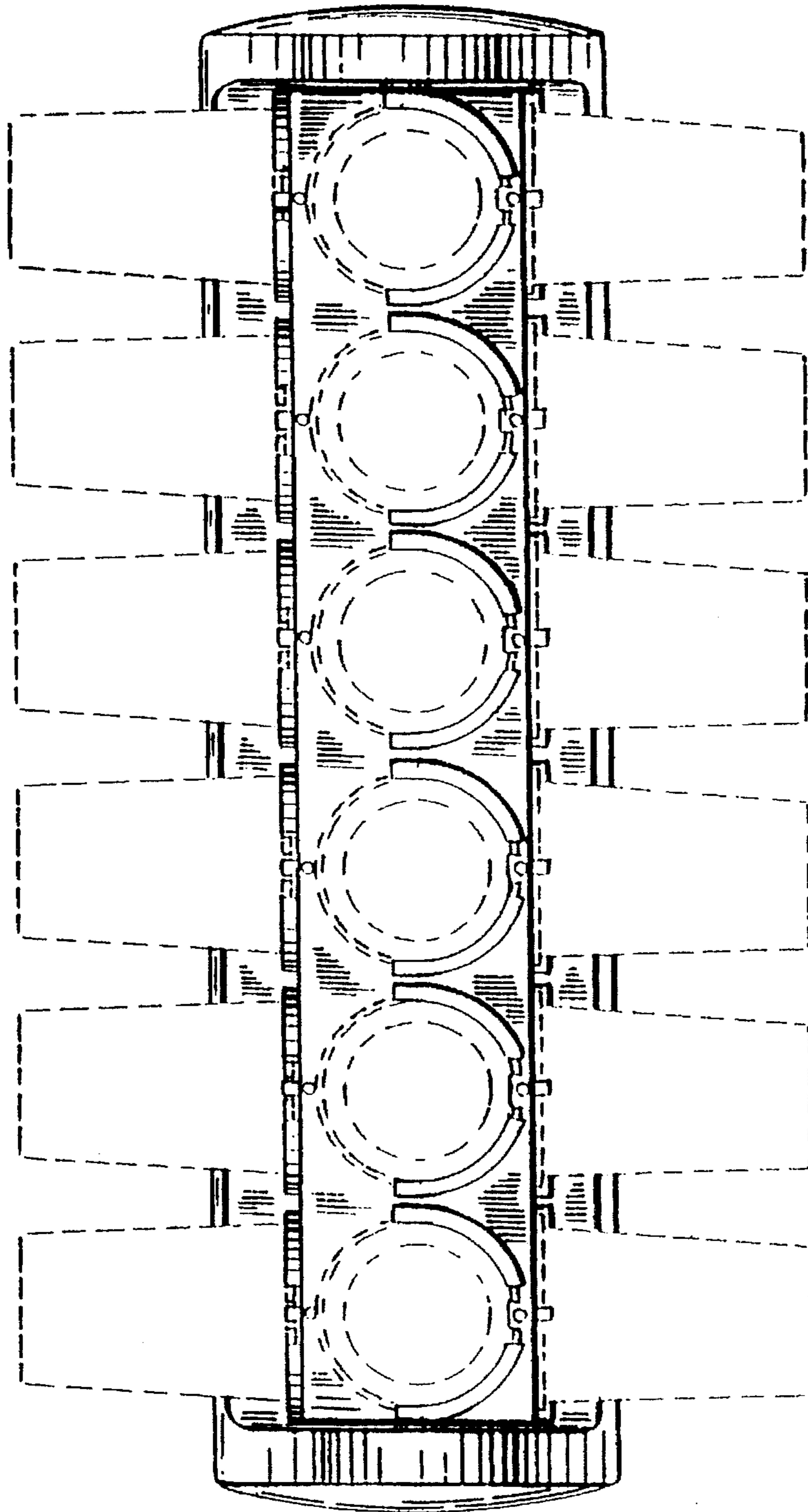


FIG. 2

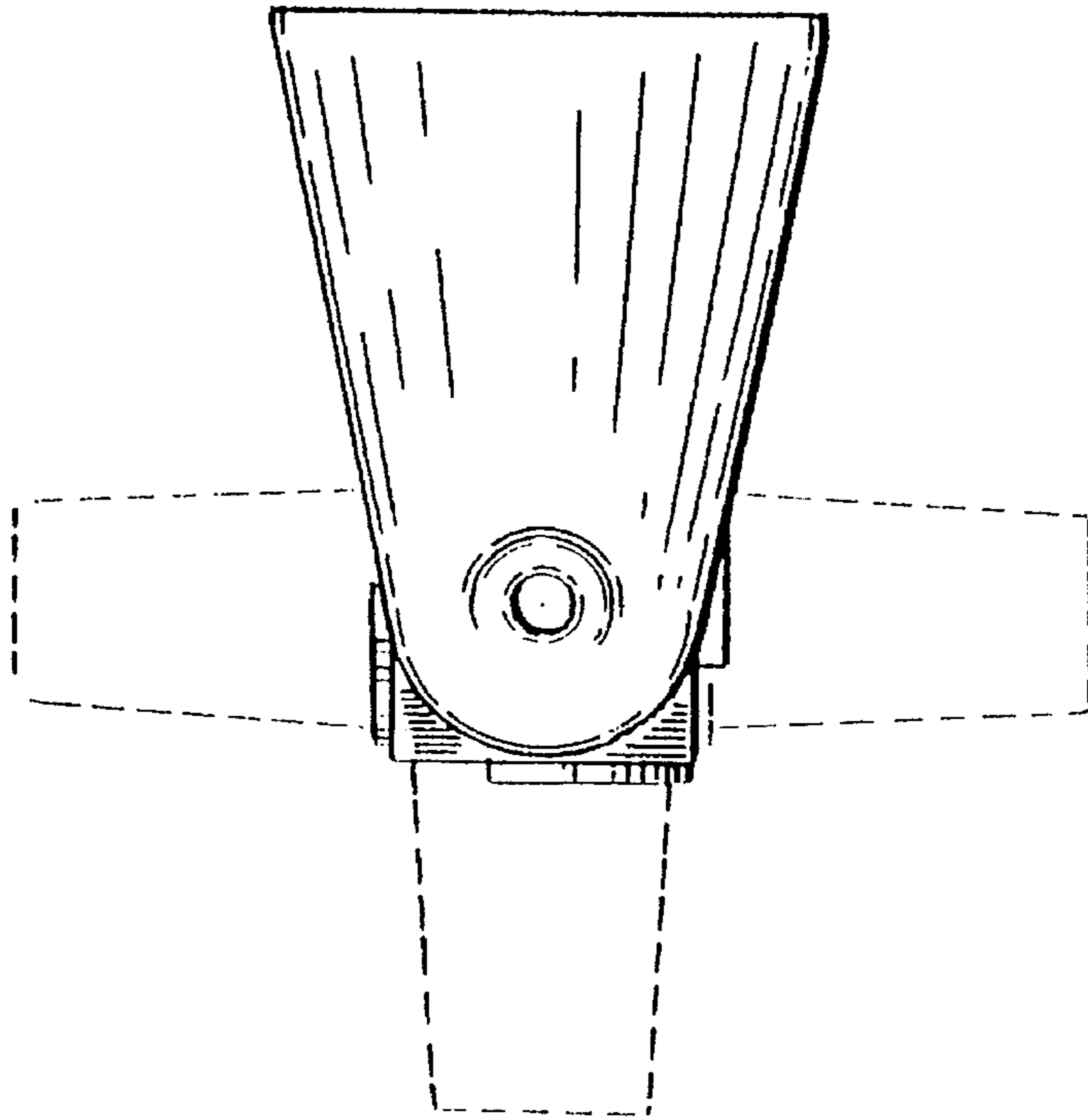


FIG. 4

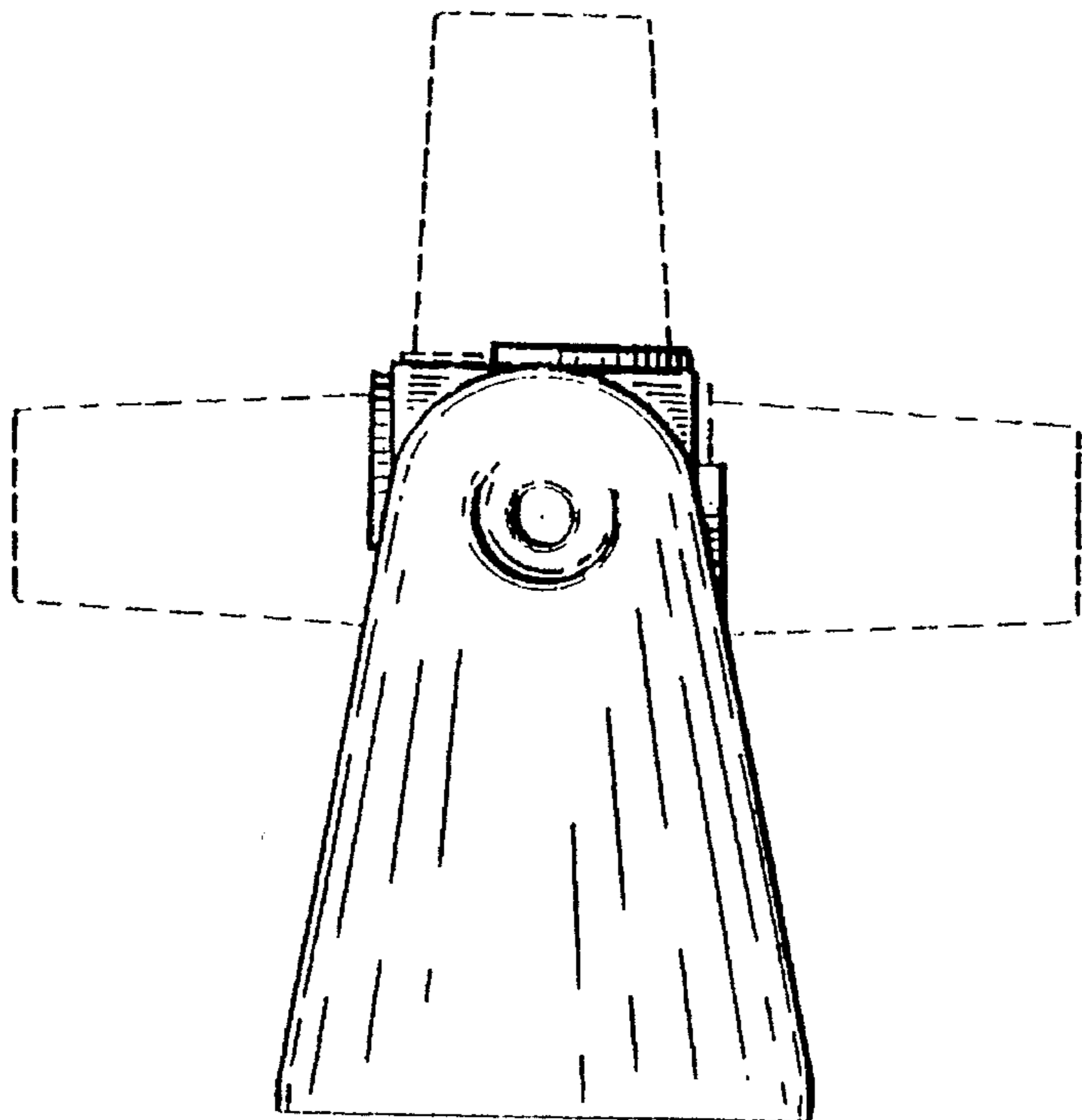


FIG. 3



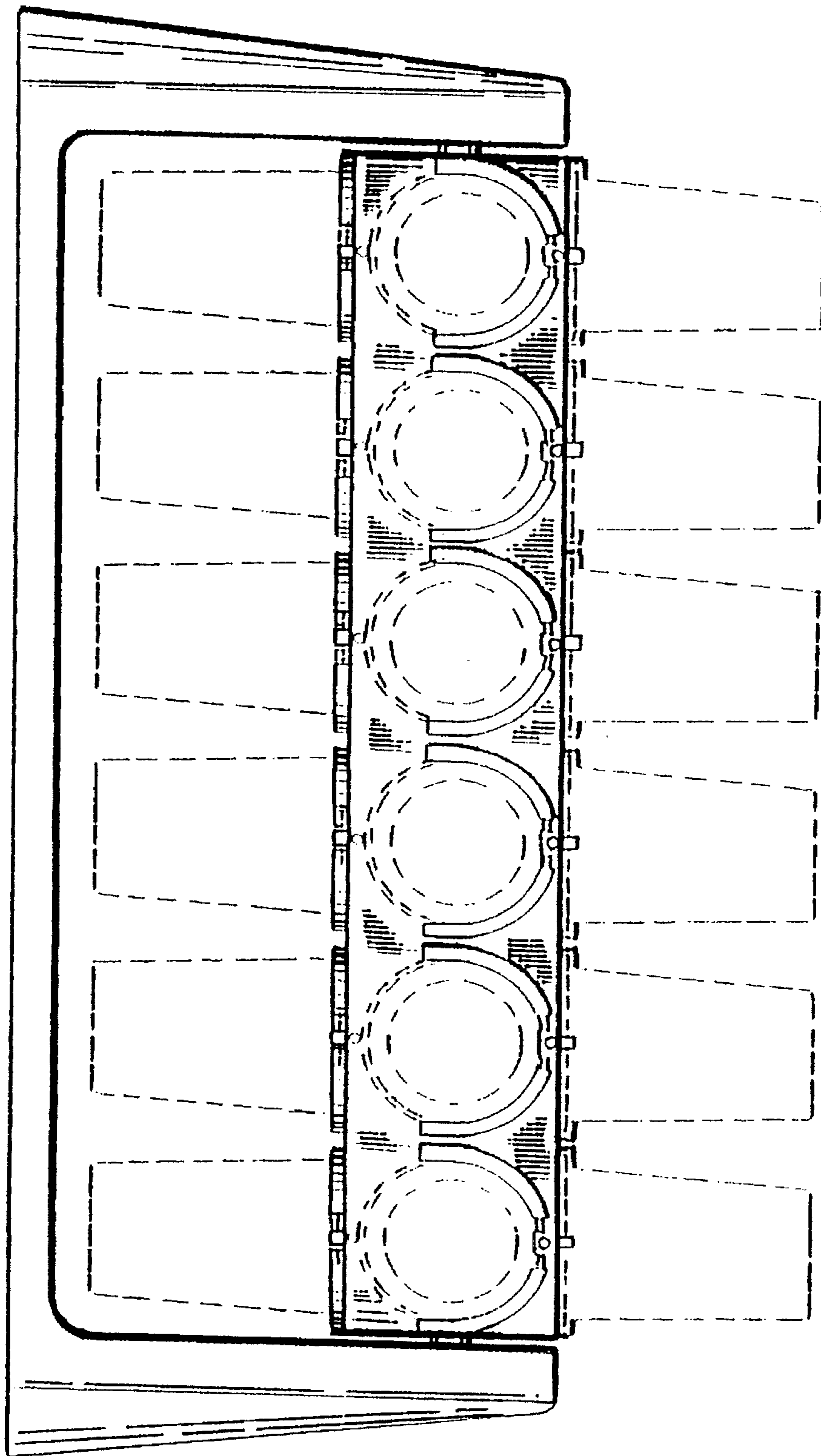
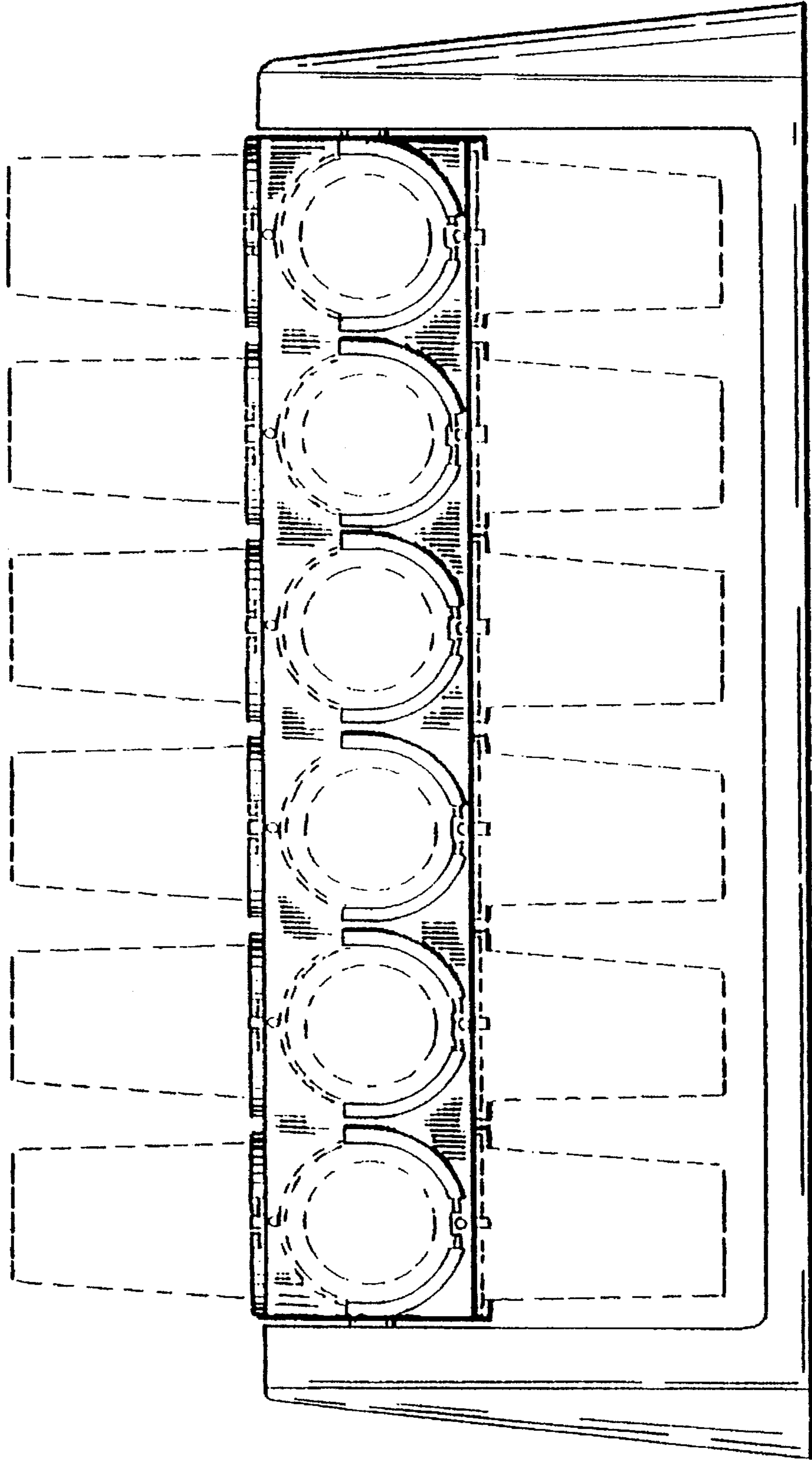


FIG. 5

FIG. 6



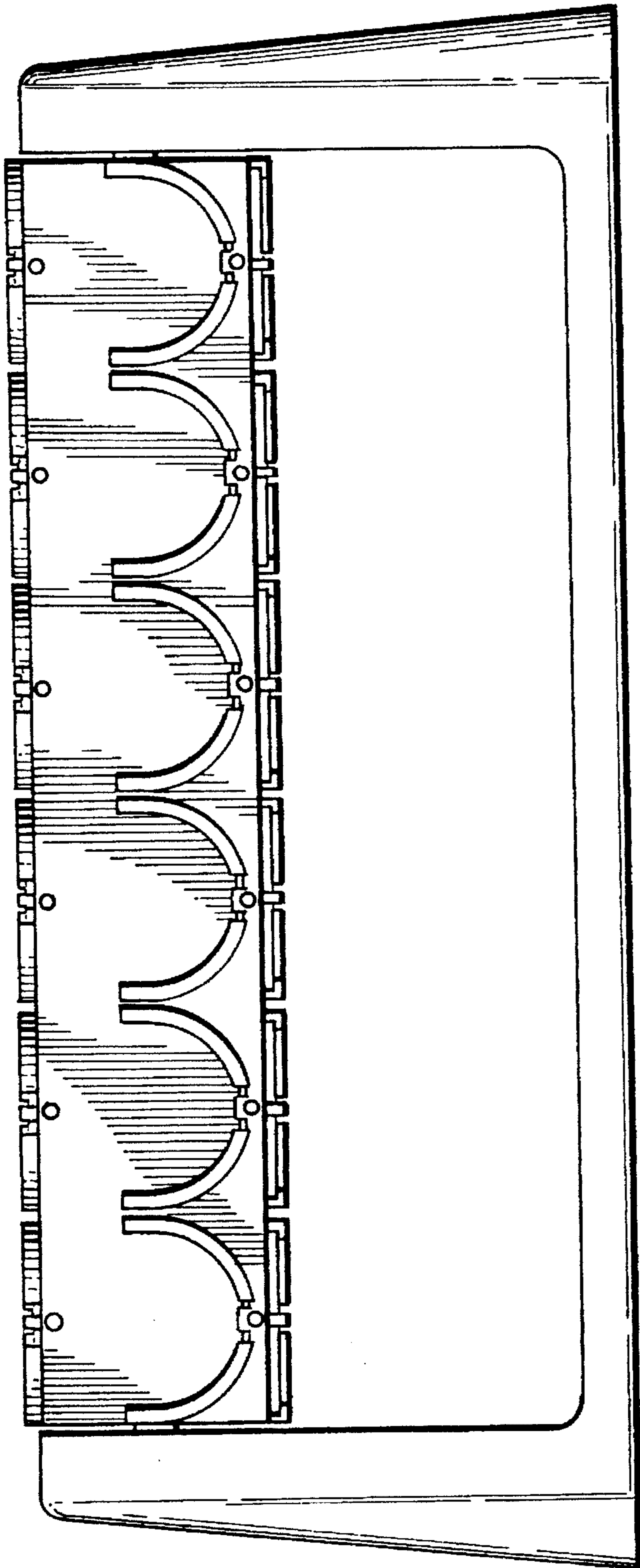


FIG. 7

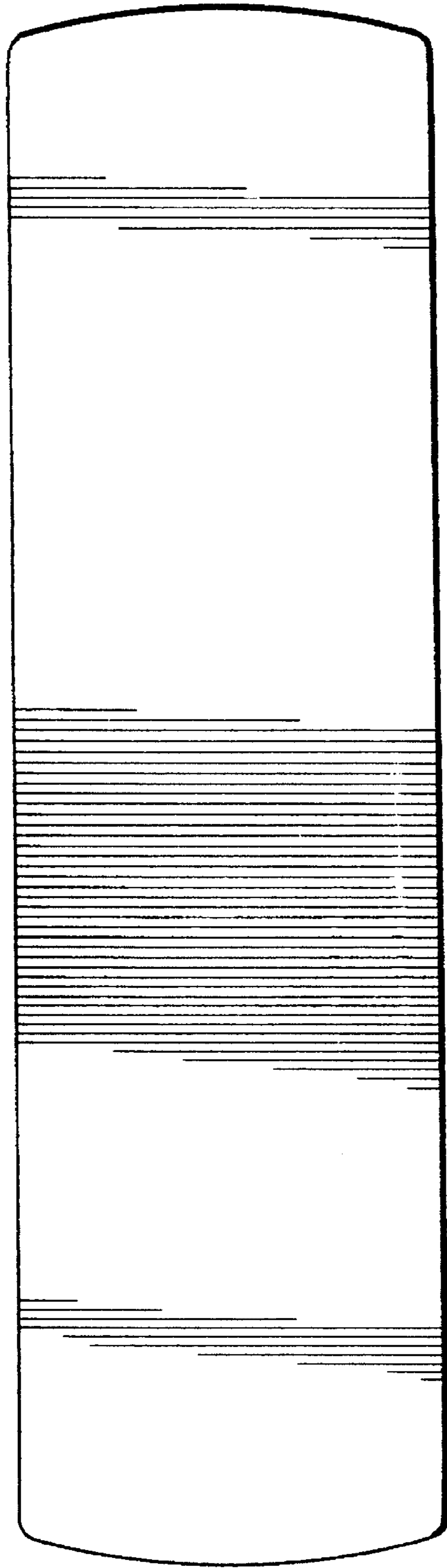


FIG. 8