



US00D369709S

United States Patent [19]

Triplett

[11] Patent Number: **Des. 369,709**

[45] Date of Patent: ****May 14, 1996**

[54] **SURFACE-MOUNTABLE RAZOR HOLDER**

[76] Inventor: **Kelvin N. Triplett**, E. 11304 16th,
Spokane, Wash. 99206

[**] Term: **14 Years**

[21] Appl. No.: **35,981**

[22] Filed: **Mar. 10, 1995**

[52] U.S. Cl. **D6/526**

[58] Field of Search D6/526; 211/13,
211/60.1, 66; 206/349; 248/309.1, 312

[56] References Cited

U.S. PATENT DOCUMENTS

D. 259,226	5/1981	Lester	D6/526
D. 277,434	2/1985	Iten	D6/526
D. 294,903	3/1988	Pokorny	D6/526
D. 335,990	6/1993	Lizanetz et al.	D6/526
3,444,790	5/1968	Braginetz	206/45.14
3,772,742	11/1973	Gigante	24/84 B
4,320,832	3/1982	Edstrom	206/228
4,773,158	9/1988	Kertzman	30/90

Primary Examiner—Brian N. Vinson
Attorney, Agent, or Firm—David L. Baker; Rhodes &
Ascolillo

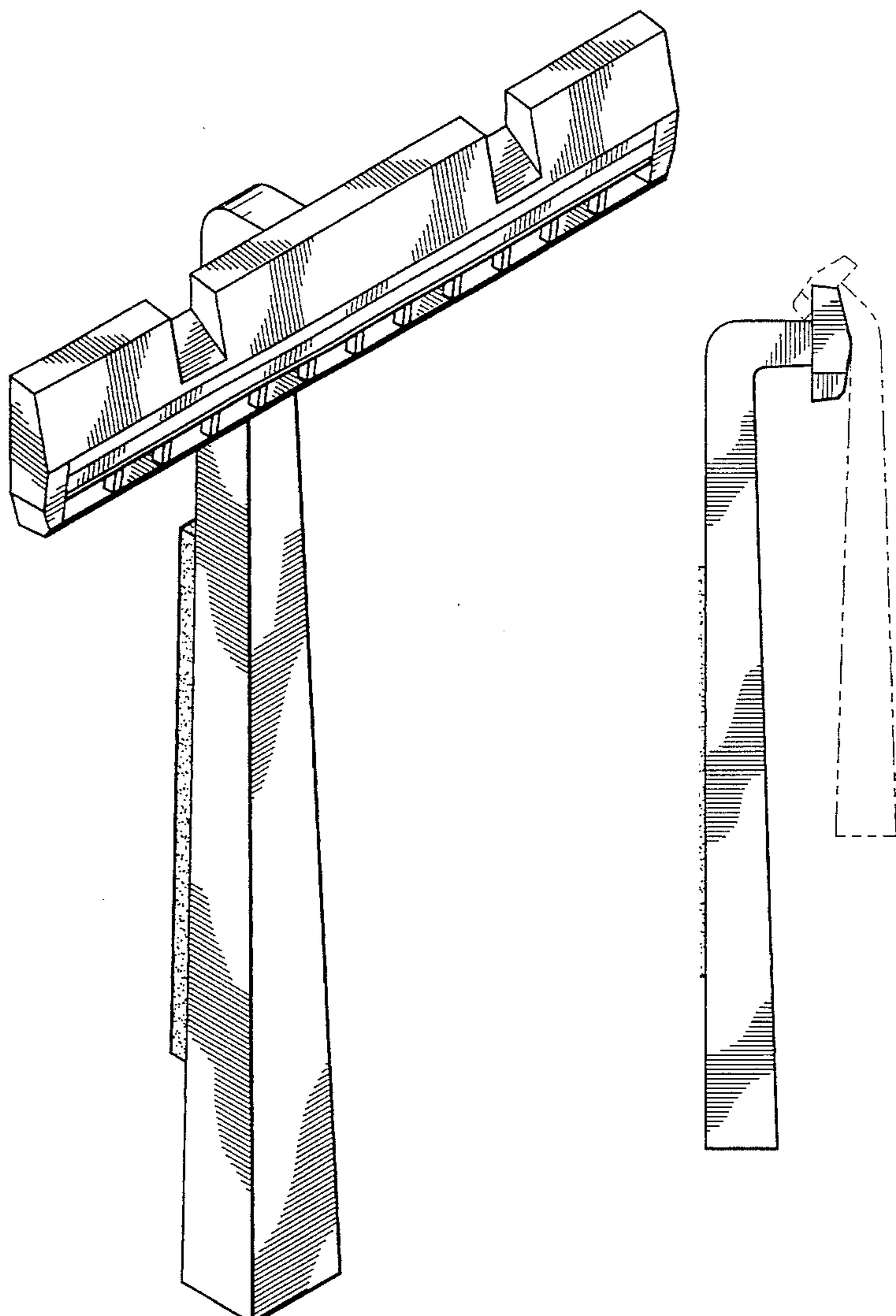
[57] CLAIM

The ornamental design for a surface-mountable razor holder,
as shown and described.

DESCRIPTION

FIG. 1 is a perspective view of a surface-mountable razor holder showing my new design therefor;
FIG. 2 is a front elevational view. The broken line drawing representing a razor is for purposes of illustration only and forms no part of my design;
FIG. 3 is a rear elevational view. The broken line drawing representing a razor is for purposes of illustration only and forms no part of my design;
FIG. 4 is a right side elevational view, the left side elevational view being a mirror image thereof;
FIG. 5 is a top plan view; and,
FIG. 6 is a bottom plan view.

1 Claim, 3 Drawing Sheets



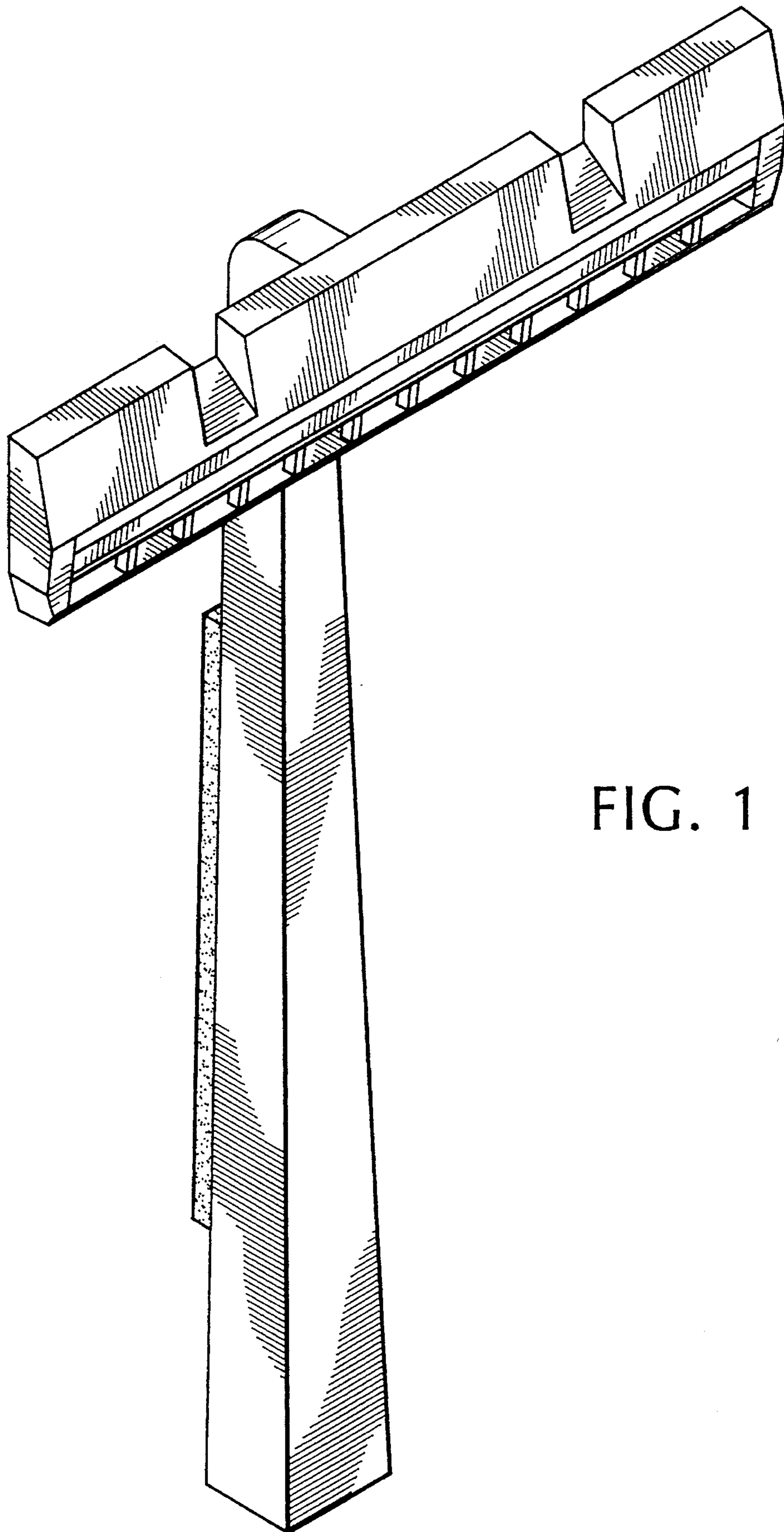


FIG. 1

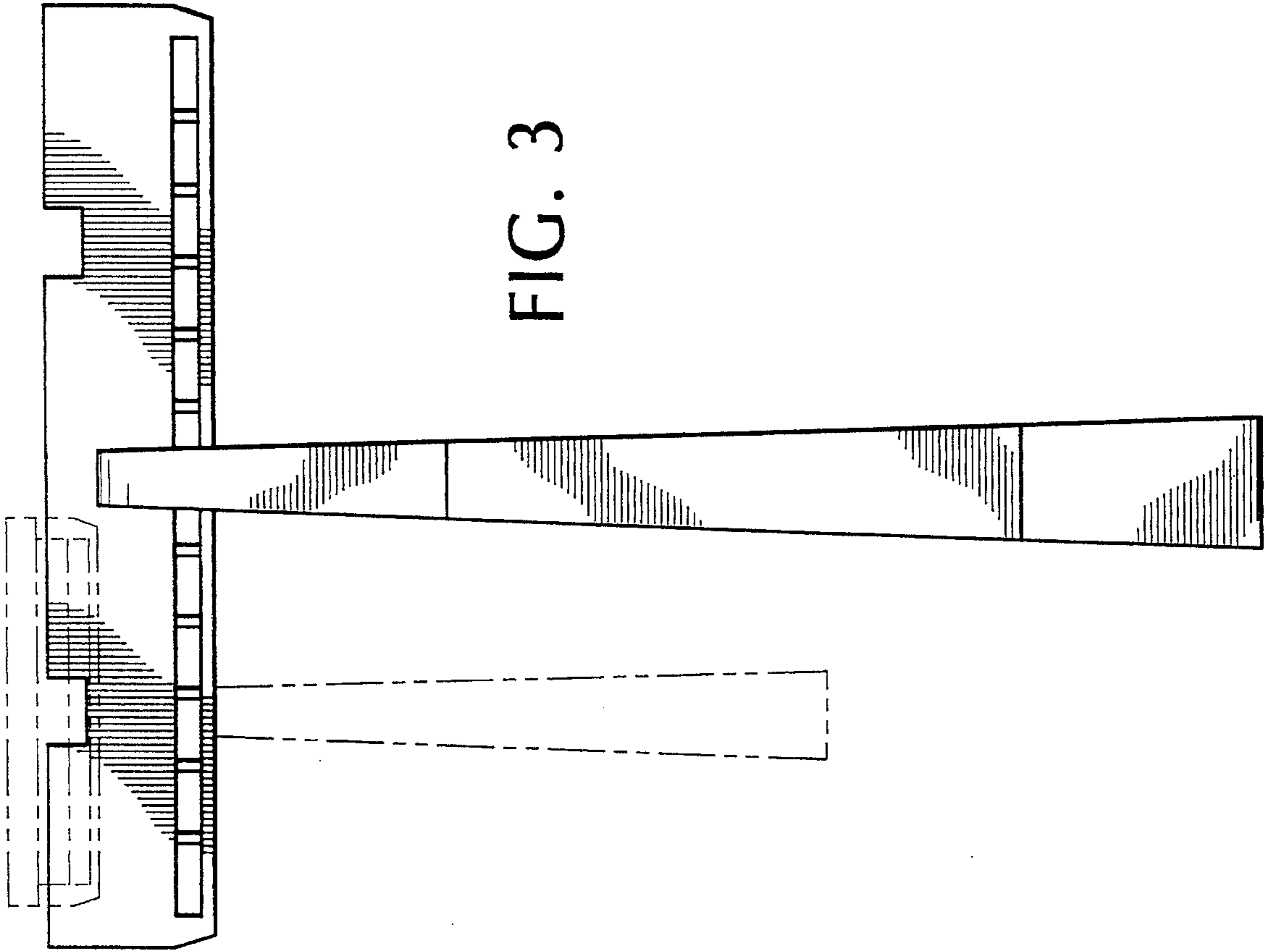


FIG. 3

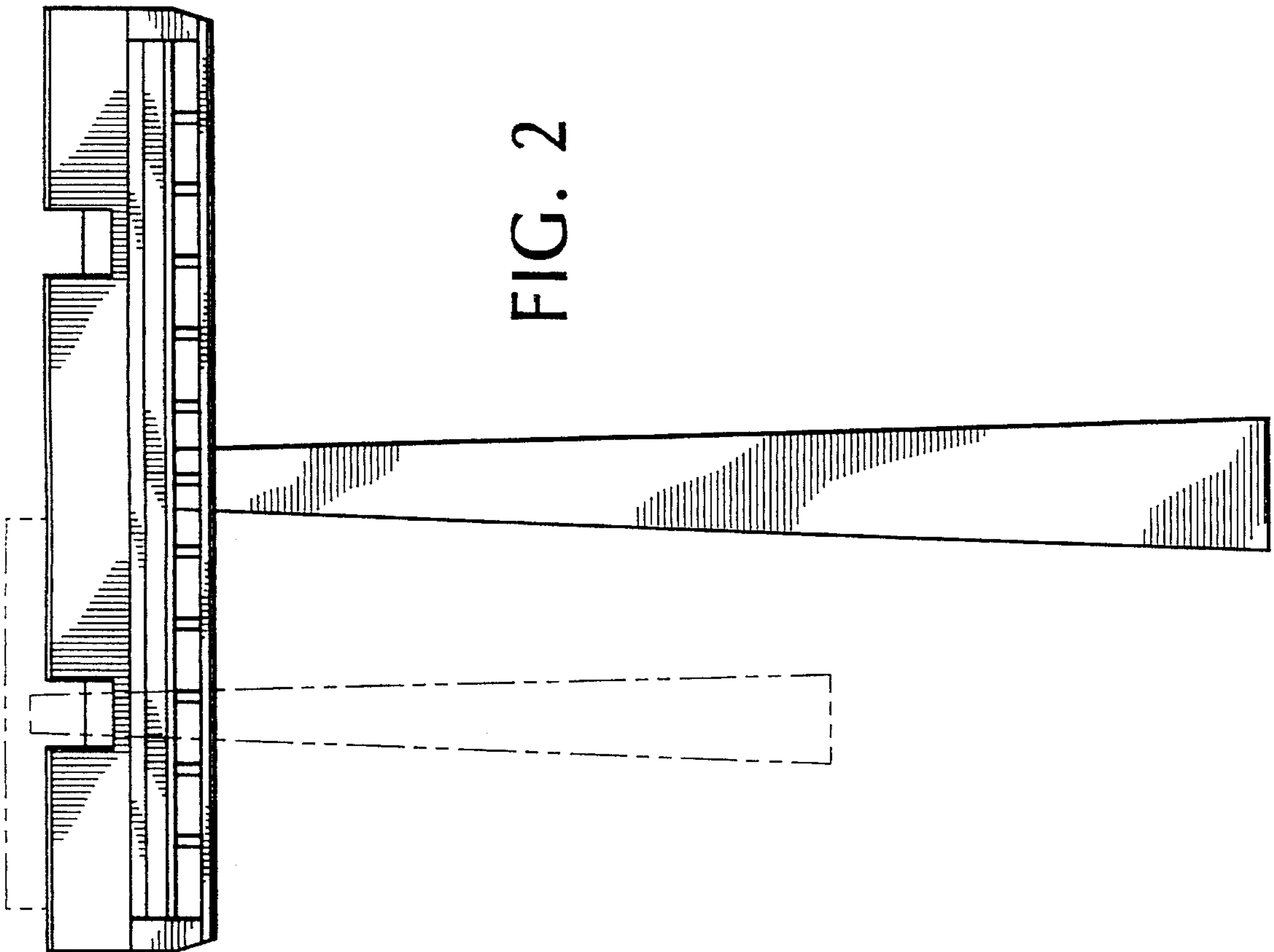


FIG. 2

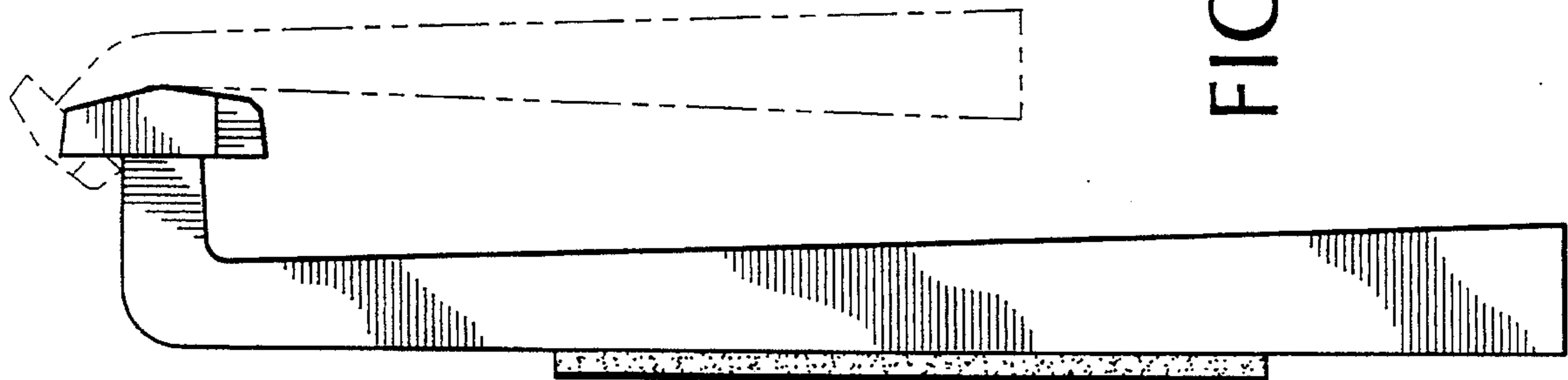


FIG. 4

FIG. 5

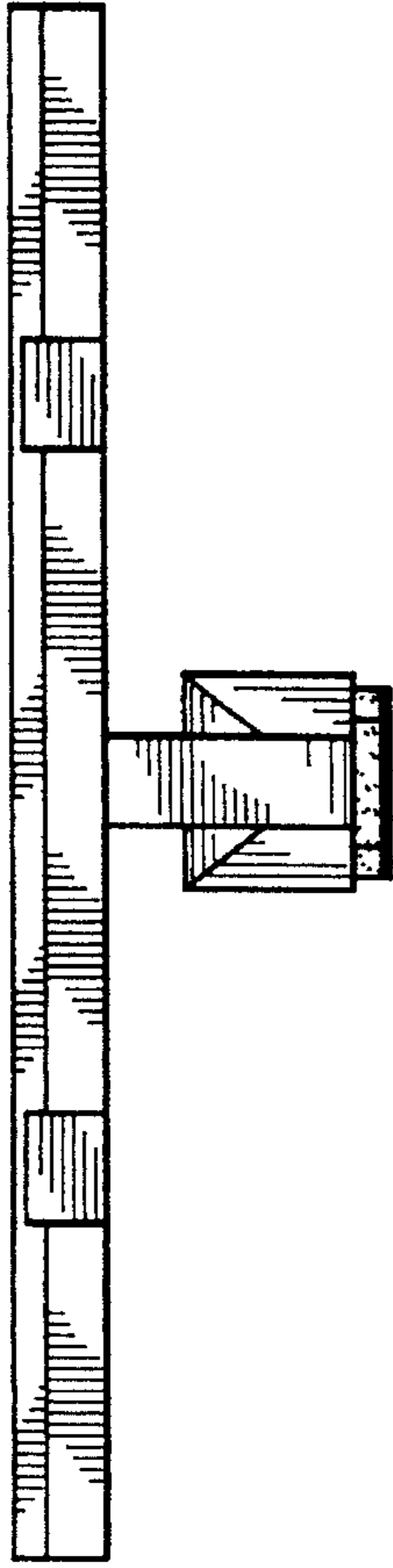


FIG. 6

