



US00D369708S

# United States Patent [19] Breen

[11] Patent Number: **Des. 369,708**

[45] Date of Patent: **\*\*May 14, 1996**

[54] **BEVERAGE CAN DISPENSER**

[76] Inventor: **Dennis J. Breen**, 225 Coggins #243,  
Pleasant Hill, Calif. 94523

[\*\*] Term: **14 Years**

[21] Appl. No.: **40,468**

[22] Filed: **Jun. 19, 1995**

[52] U.S. Cl. .... **D6/515**

[58] Field of Search ..... D6/515, 517, 518,  
D6/408; 206/139, 515; 211/71-72, 13;  
220/509; 221/66, 282, 284-285

4,955,529 9/1990 Barnhart ..... 229/122.1  
 4,998,628 3/1991 Ross ..... 211/59.2  
 5,228,590 7/1993 Blasko et al. .... 220/501  
 5,249,737 10/1993 Fritz et al. .... 229/122.1  
 5,295,608 3/1994 Blasko et al. .... 220/501  
 5,323,917 6/1994 Johnson et al. .... 211/74  
 5,356,033 10/1994 Delaney ..... 221/194

*Primary Examiner*—Brian N. Vinson  
*Attorney, Agent, or Firm*—Feix & Feix

### [57] CLAIM

The ornamental design for the beverage can dispenser, as shown and described.

### DESCRIPTION

FIG. 1 is a left side isometric perspective view of the beverage can dispenser of the present invention, the right side isometric perspective view being a mirror image thereof;

FIG. 2 is a top plan view of FIG. 1;

FIG. 3 is a left side elevation view of FIG. 1, the right side elevation view being a mirror image thereof;

FIG. 4 is a front end view of FIG. 1;

FIG. 5 is a rear end view of FIG. 1; and,

FIG. 6 is a bottom plan view of FIG. 1.

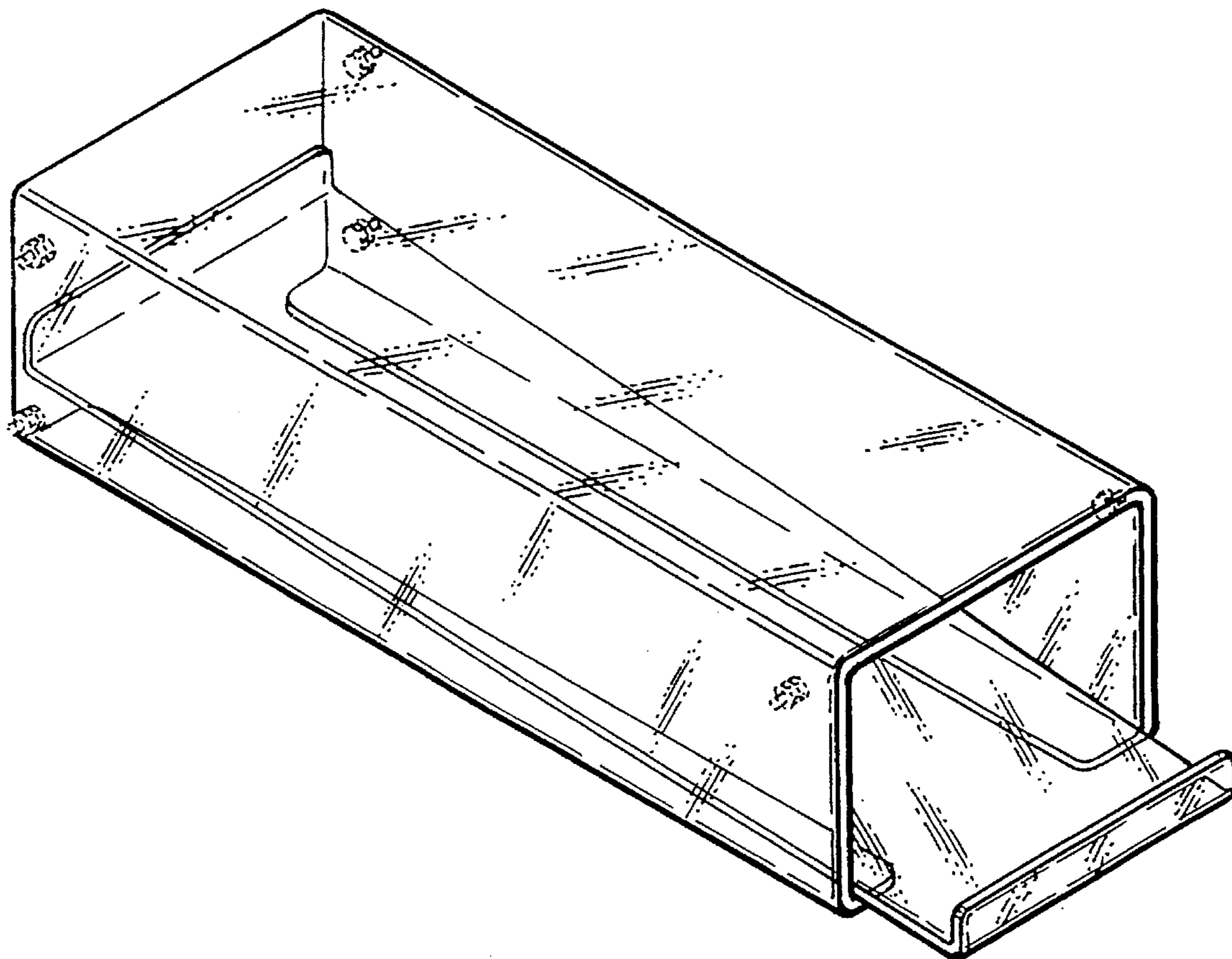
The broken lines showing the connector screws along the left and right side walls of the beverage can dispenser are for illustrative purposes only and form no part of the claimed design.

1 Claim, 1 Drawing Sheet

### [56] References Cited

#### U.S. PATENT DOCUMENTS

D. 342,420	12/1993	Ienna .....	D6/515 X
D. 347,922	6/1994	Trevaskis .....	D6/515
D. 351,845	10/1994	Johnson et al. ....	D15/89
2,239,369	4/1941	Nauert .....	211/13
2,852,327	9/1958	Mason .....	312/45
2,996,344	8/1961	Garman .....	312/45
3,018,149	1/1962	Parker .....	312/45
3,318,455	5/1967	Takahashi .....	211/49
3,805,964	4/1974	Titus .....	211/49 D
4,228,903	10/1980	Eckert .....	211/49 D
4,435,026	3/1984	Johnson .....	312/45
4,474,297	10/1984	Zucker .....	211/49 D
4,676,371	6/1987	Byrne .....	206/44.12
4,776,470	10/1988	Chap .....	211/59.2
4,909,578	3/1990	Abbate .....	312/45



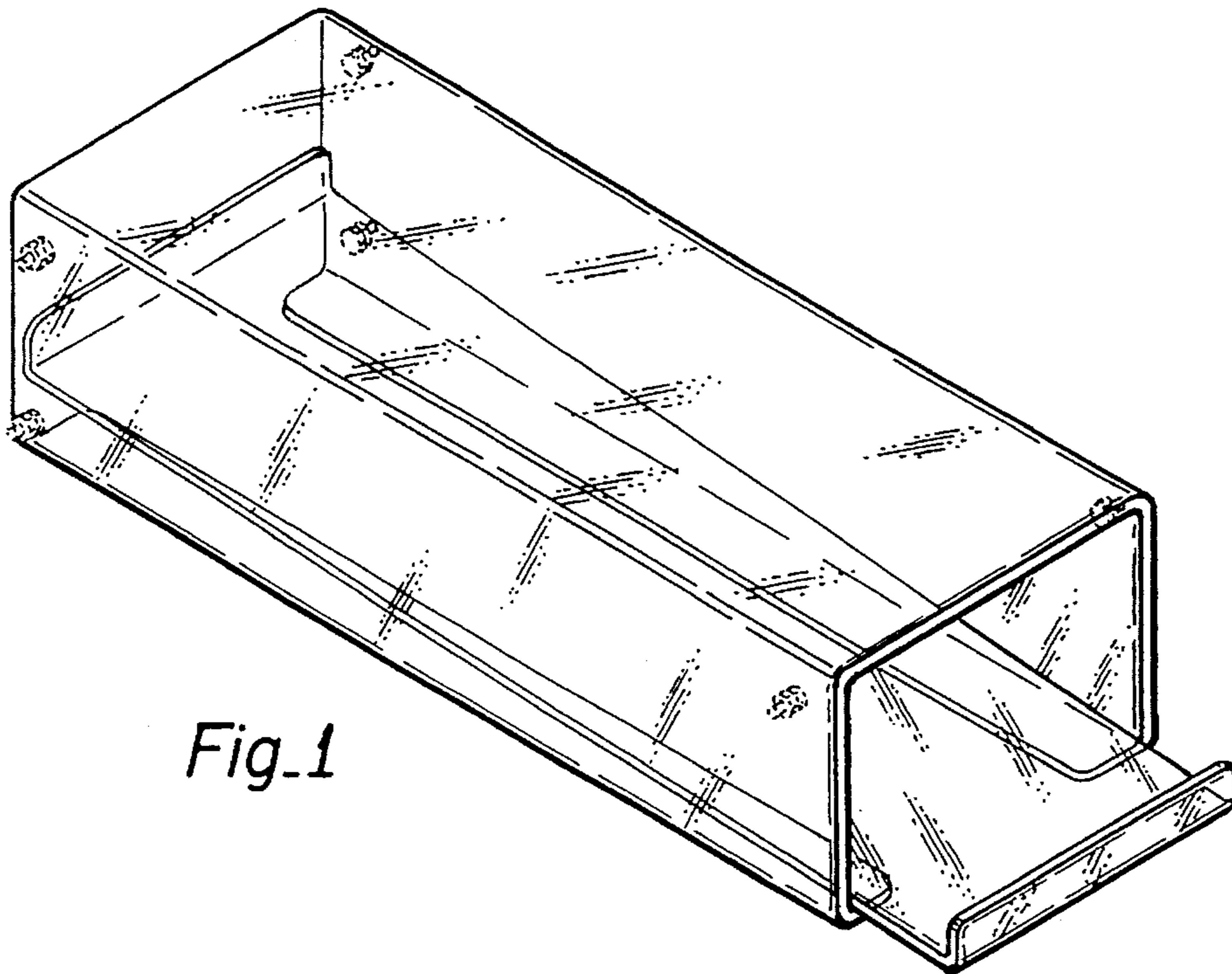


Fig. 1

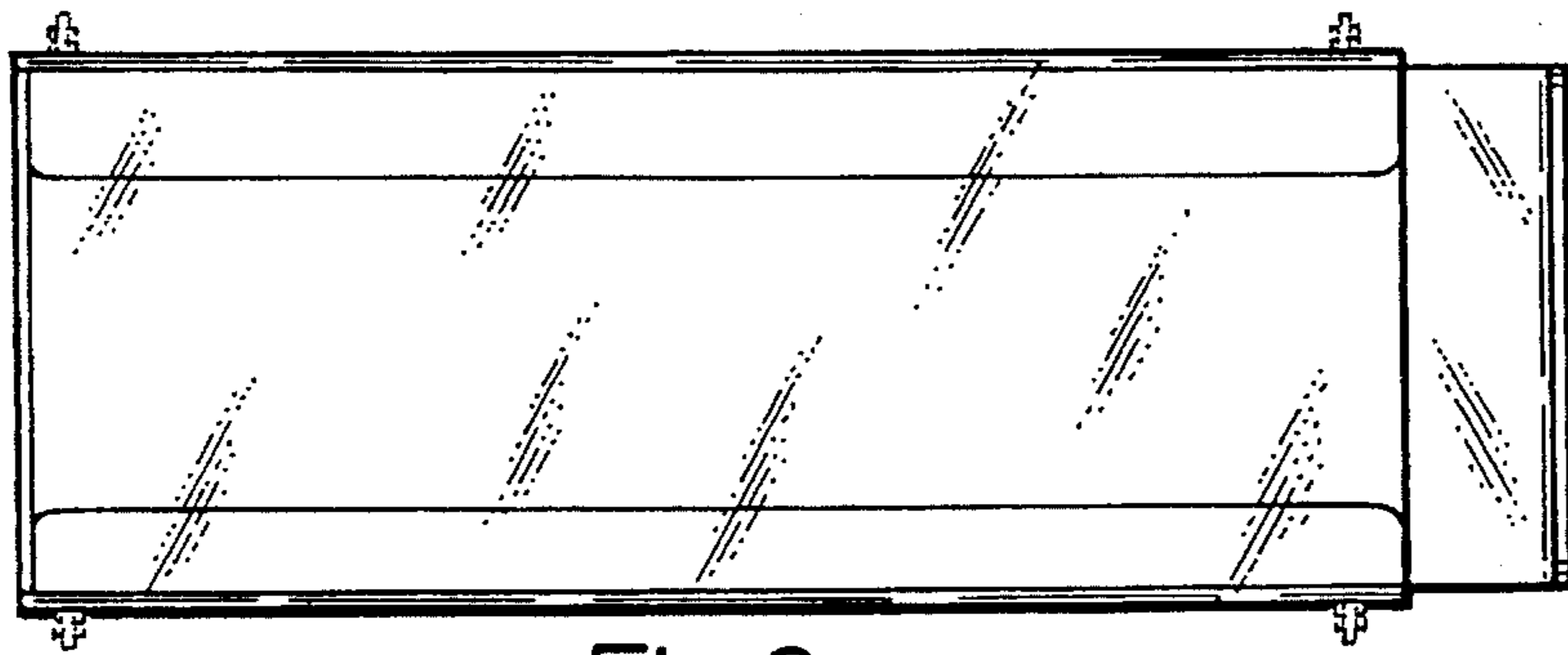


Fig. 2

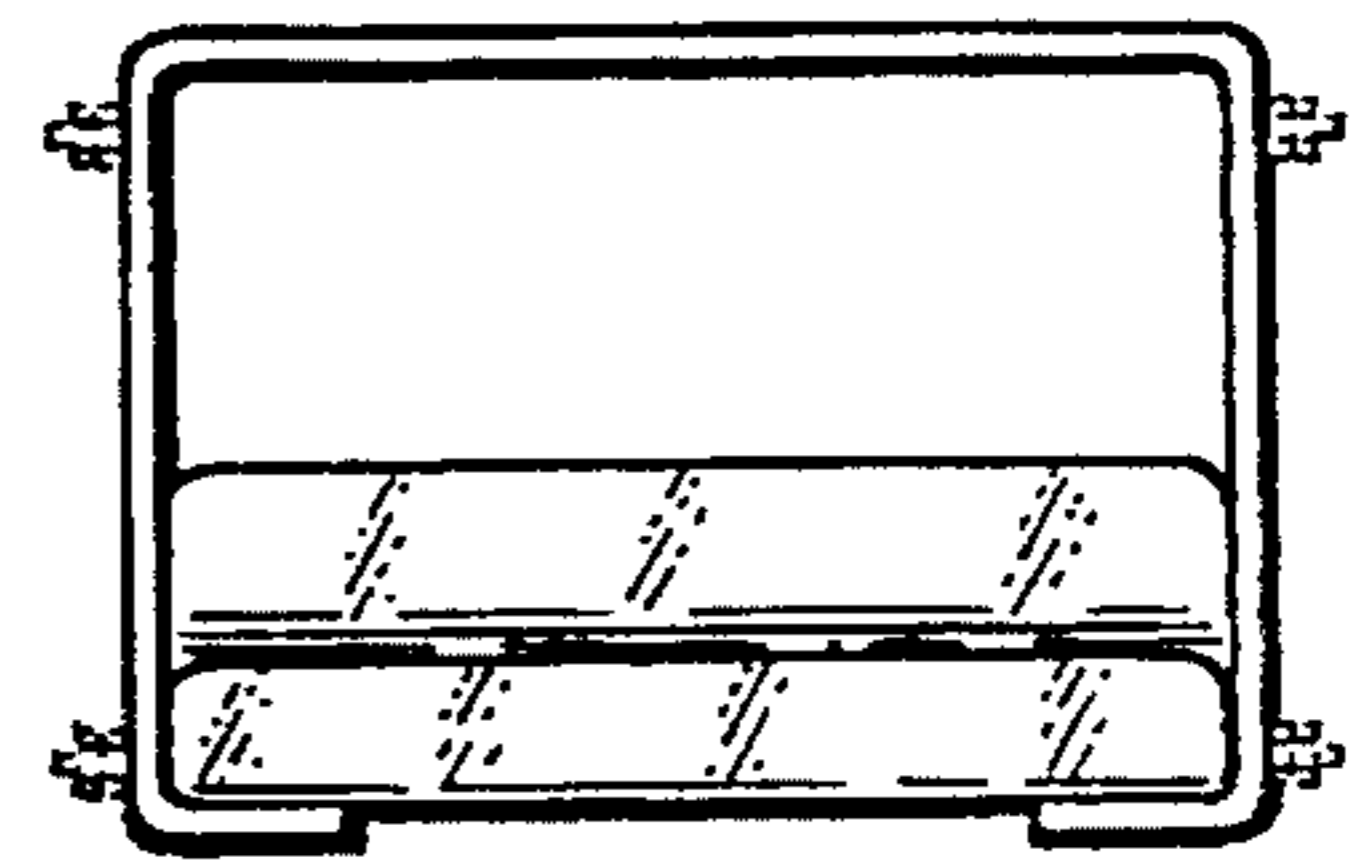


Fig. 3

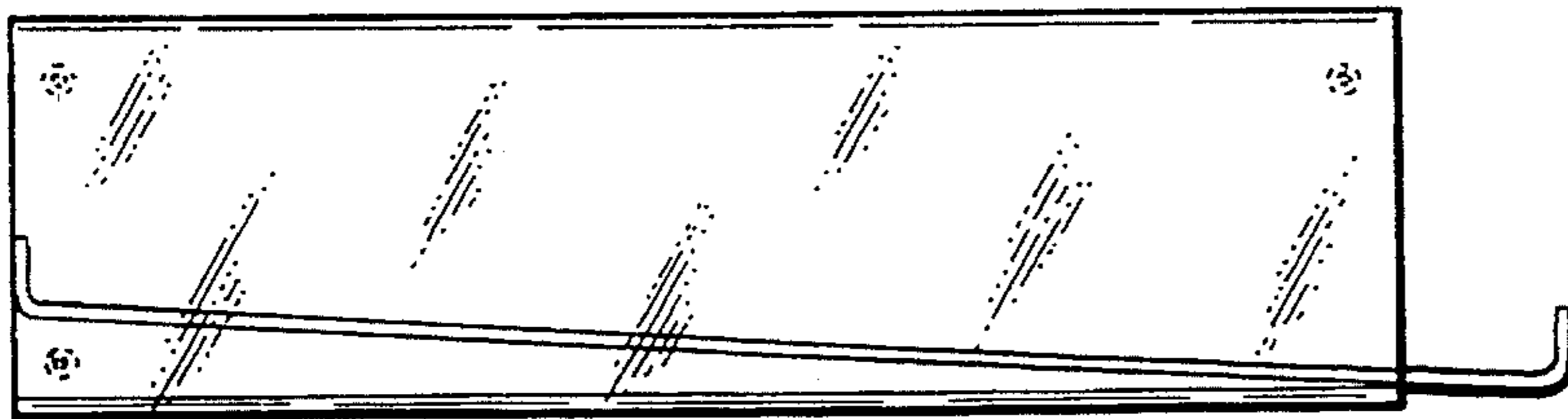


Fig. 4

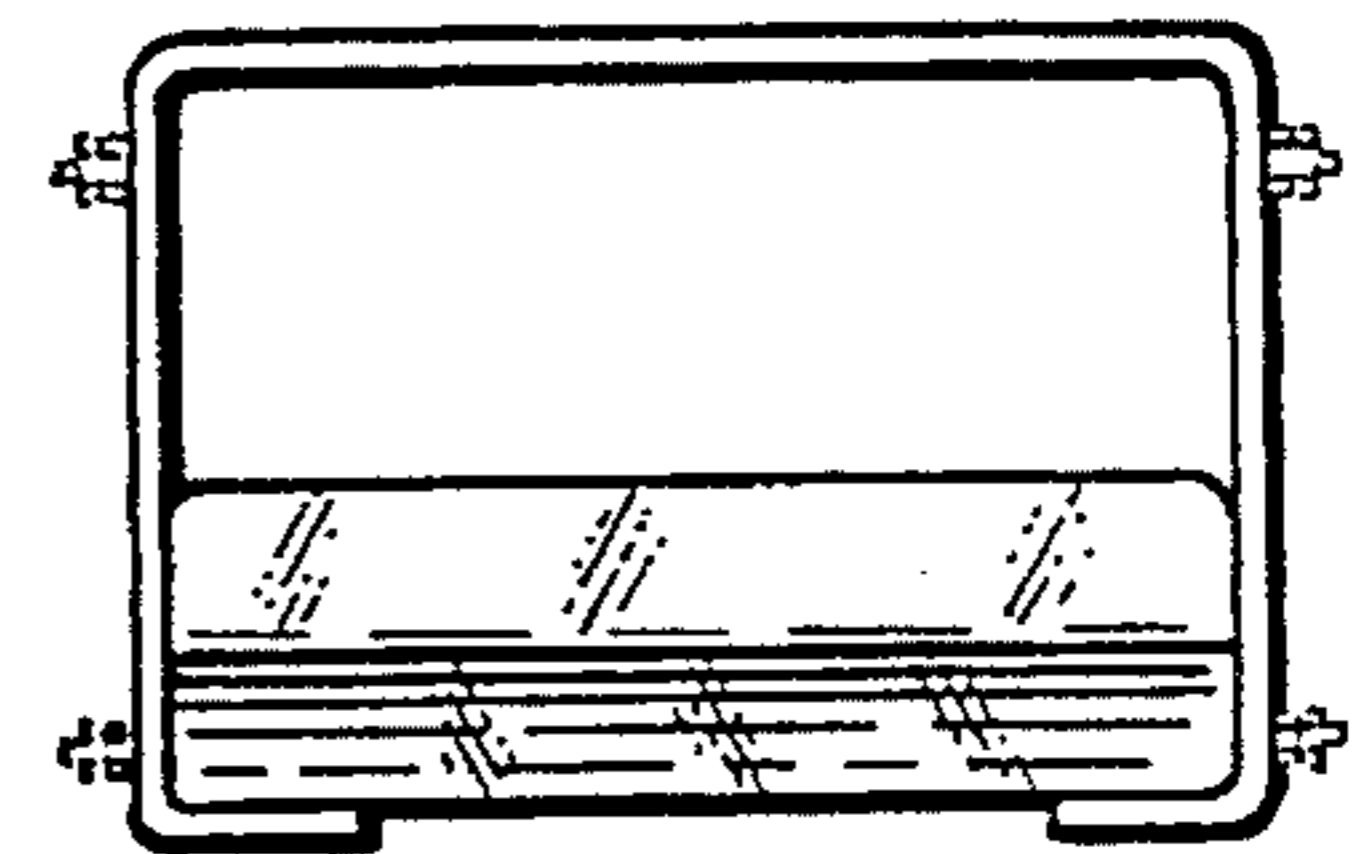


Fig. 5

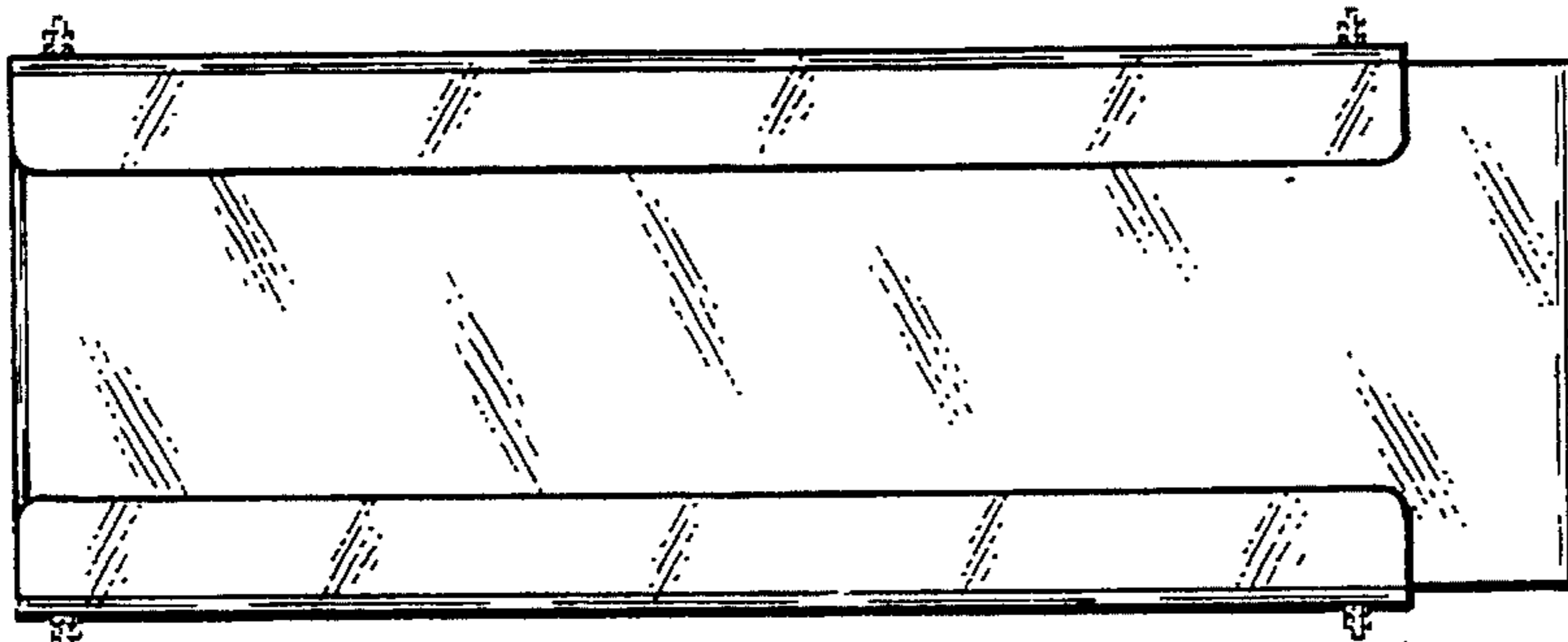


Fig. 6