



US00D369705S

# United States Patent [19]

George et al.

[11] Patent Number: **Des. 369,705**

[45] Date of Patent: **\*\*May 14, 1996**

## [54] PEDESTAL BASED ARM CHAIR

[75] Inventors: **Donald A. George**, Monroe, Mich.;  
**Steven R. Pulskamp**, New Bremen,  
Ohio

[73] Assignee: **La-A-Boy Chair Company**, Monroe,  
Mich.

[\*\*] Term: **14 Years**

[21] Appl. No.: **38,584**

[22] Filed: **May 9, 1995**

[52] U.S. Cl. .... **D6/500**; D6/366

[58] Field of Search ..... D6/334, 365, 366,  
D6/367, 379, 500, 501, 502; 297/411.2,  
411.44

## [56] References Cited

### U.S. PATENT DOCUMENTS

D. 240,374	7/1976	Buhk .....	D6/366
D. 253,206	10/1979	Buhk .....	D6/366
D. 260,584	9/1981	Albinson .	
D. 260,826	9/1981	Steinberger .	
D. 273,918	5/1984	Keeler .....	D6/366 X
D. 274,198	6/1984	Keeler .....	D6/366
D. 277,908	3/1985	Liisberg .	
D. 288,872	3/1987	Schultz .....	D6/366
D. 289,348	4/1987	Snodgrass .	
D. 309,223	7/1990	Lübke .	
D. 318,184	7/1991	Muller-Deisig et al. ....	D6/366
D. 337,447	7/1993	Fahnstrom et al. .	
D. 338,566	8/1993	George et al. ....	D6/366
D. 341,032	11/1993	Schwartz .	
D. 341,035	11/1993	Schwartz .	
D. 342,839	1/1994	Olson .	
D. 344,416	2/1994	Schwartz .	
D. 344,417	2/1994	Schwartz .	
D. 348,570	7/1994	Scheper et al. ....	D6/366
D. 353,718	12/1994	Olson .....	D6/366
D. 355,534	2/1995	Saotome .....	D6/366

Primary Examiner—Gary D. Watson  
Attorney, Agent, or Firm—Harness, Dickey & Pierce

## [57] CLAIM

The ornamental design for a pedestal based arm chair, as shown and described.

## DESCRIPTION

FIG. 1 is a front perspective view of a pedestal based arm chair embodying our new design;

FIG. 2 is a front elevational view of the design;

FIG. 3 is a top plan view of the design;

FIG. 4 is a rear elevation view of the design;

FIG. 5 is a side elevational view of the design, the opposite side being substantially a mirror image thereof;

FIG. 6 is a front perspective view of a pedestal based arm chair showing a second embodiment of our design;

FIG. 7 is a front elevational view of the second embodiment of the design;

FIG. 8 is a top plan view of the second embodiment of the design;

FIG. 9 is a rear elevation view of the second embodiment of the design;

FIG. 10 is a side elevational view of the second embodiment of the design, the opposite side being substantially a mirror image thereof;

FIG. 11 is a front perspective view of a pedestal based arm chair showing a third embodiment of our design;

FIG. 12 is a front elevational view of the third embodiment of the design;

FIG. 13 is a top plan view of the third embodiment of the design;

FIG. 14 is a rear elevational view of the third embodiment of the design; and,

FIG. 15 is a side elevational view of the third embodiment of the design, the opposite side being substantially a mirror image thereof.

The broken line showing on the seat and backrest represents a seam line.

The broken line showings of a pedestal base and an adjustment mechanism are for environmental purposes only and form no part of the claimed design.

1 Claim, 9 Drawing Sheets

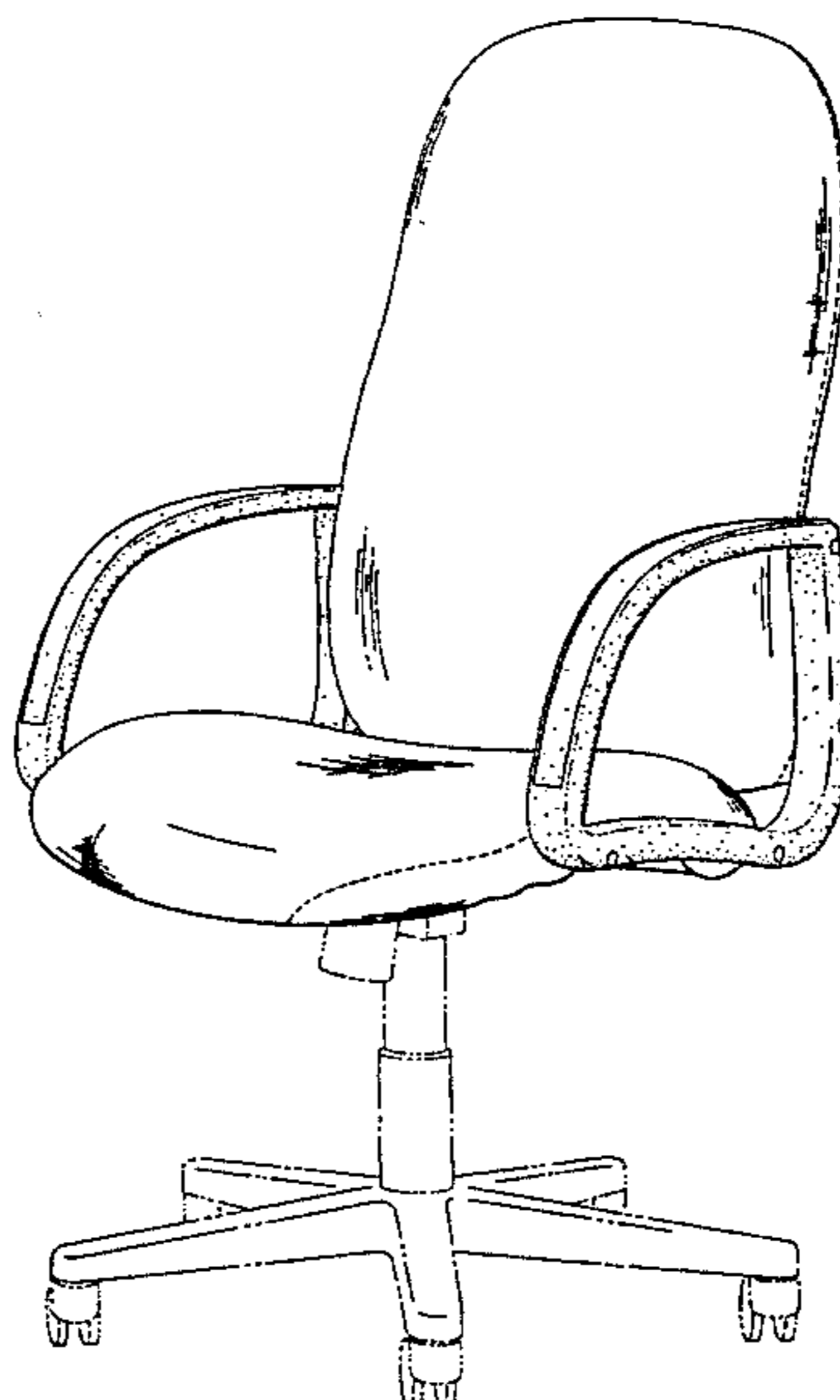


FIG 1

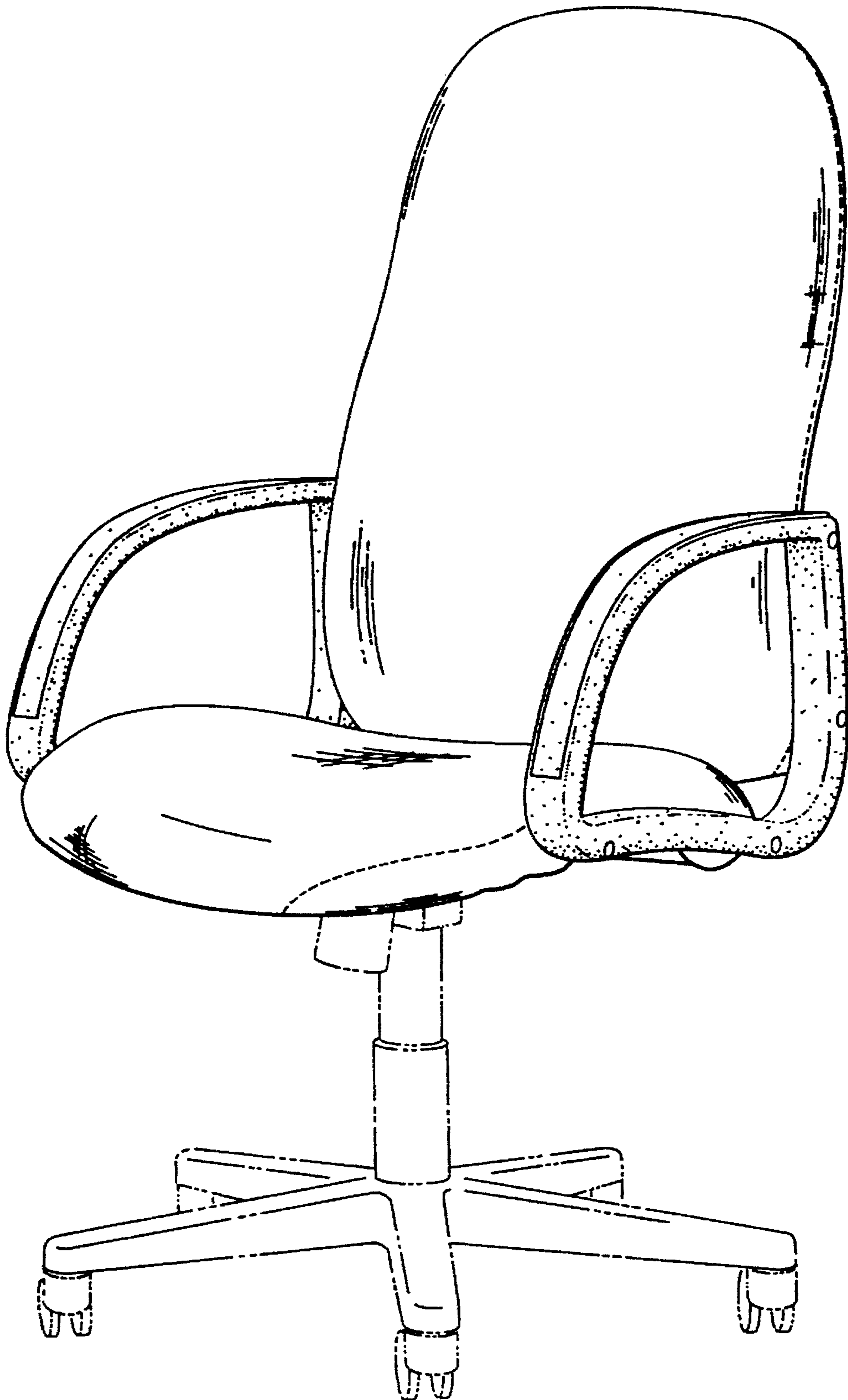


FIG 3

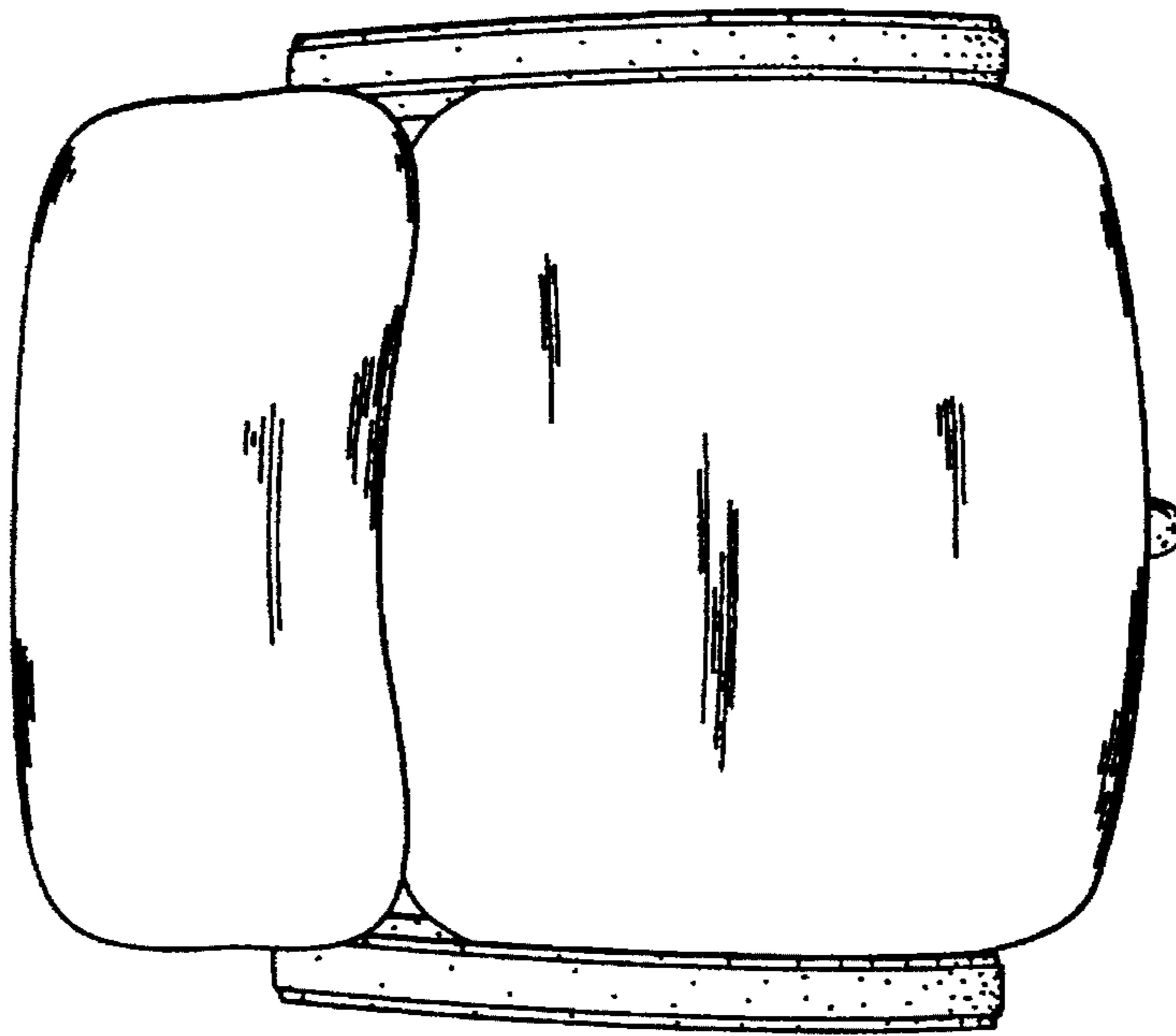
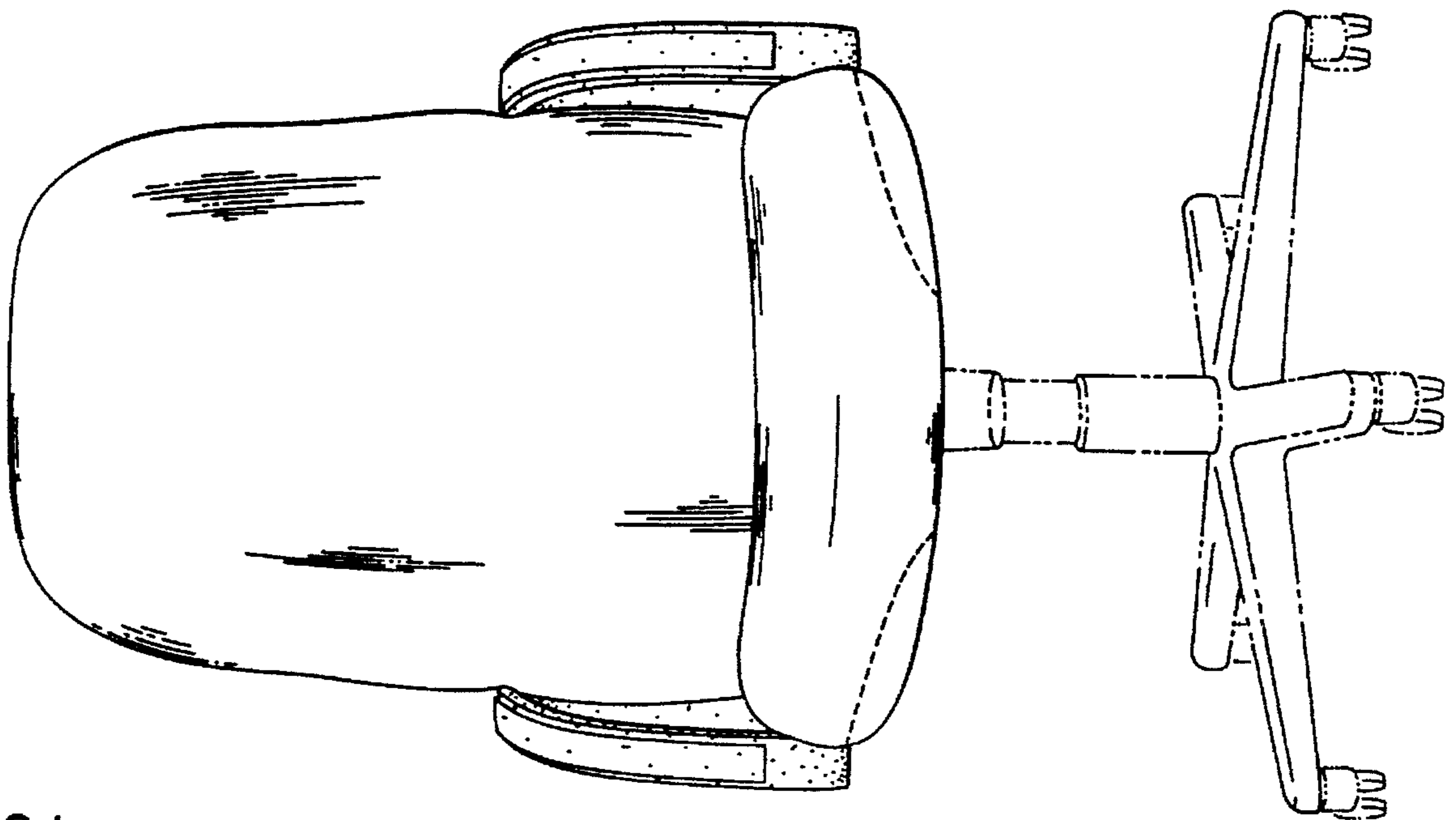


FIG 2



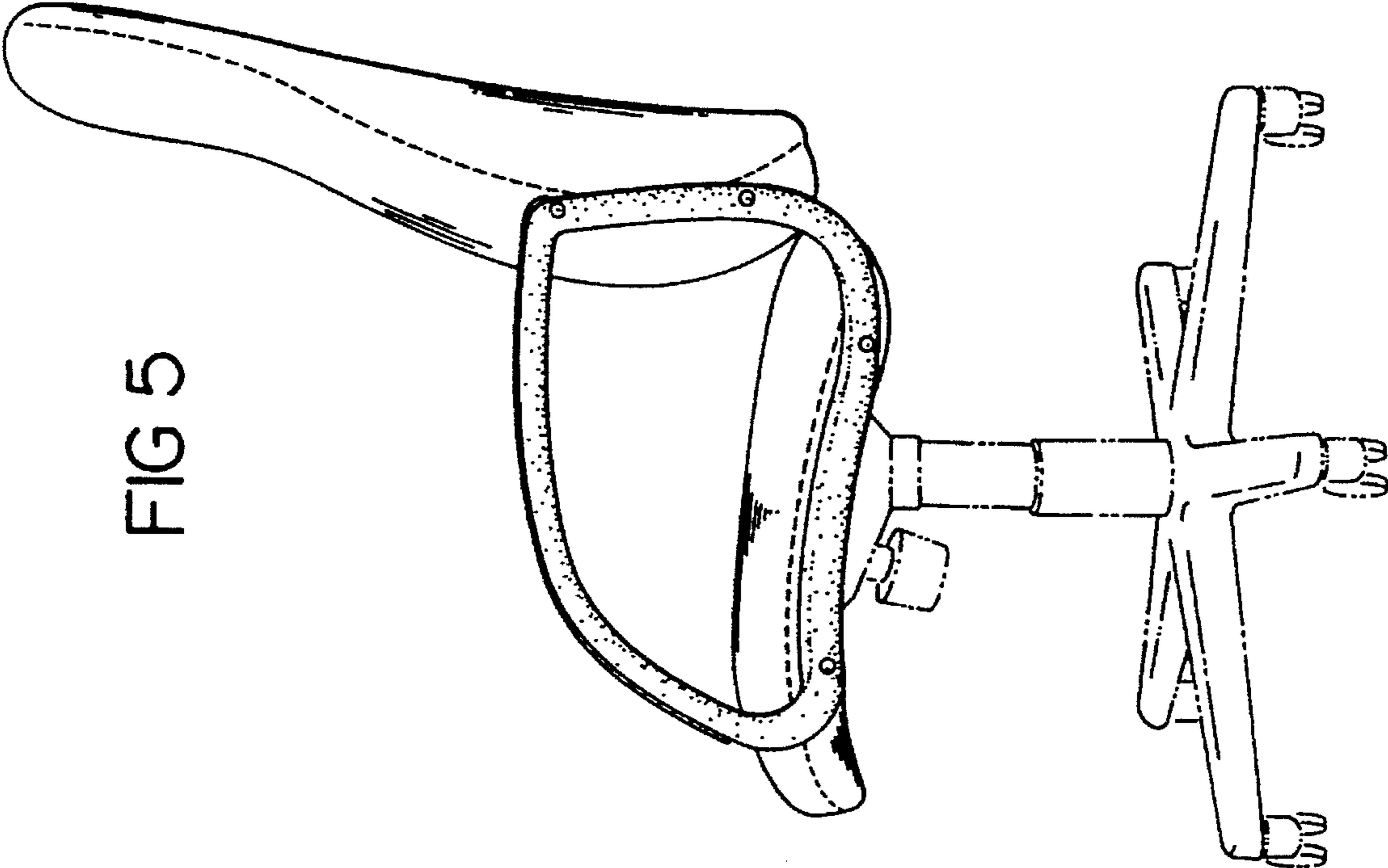


FIG 5

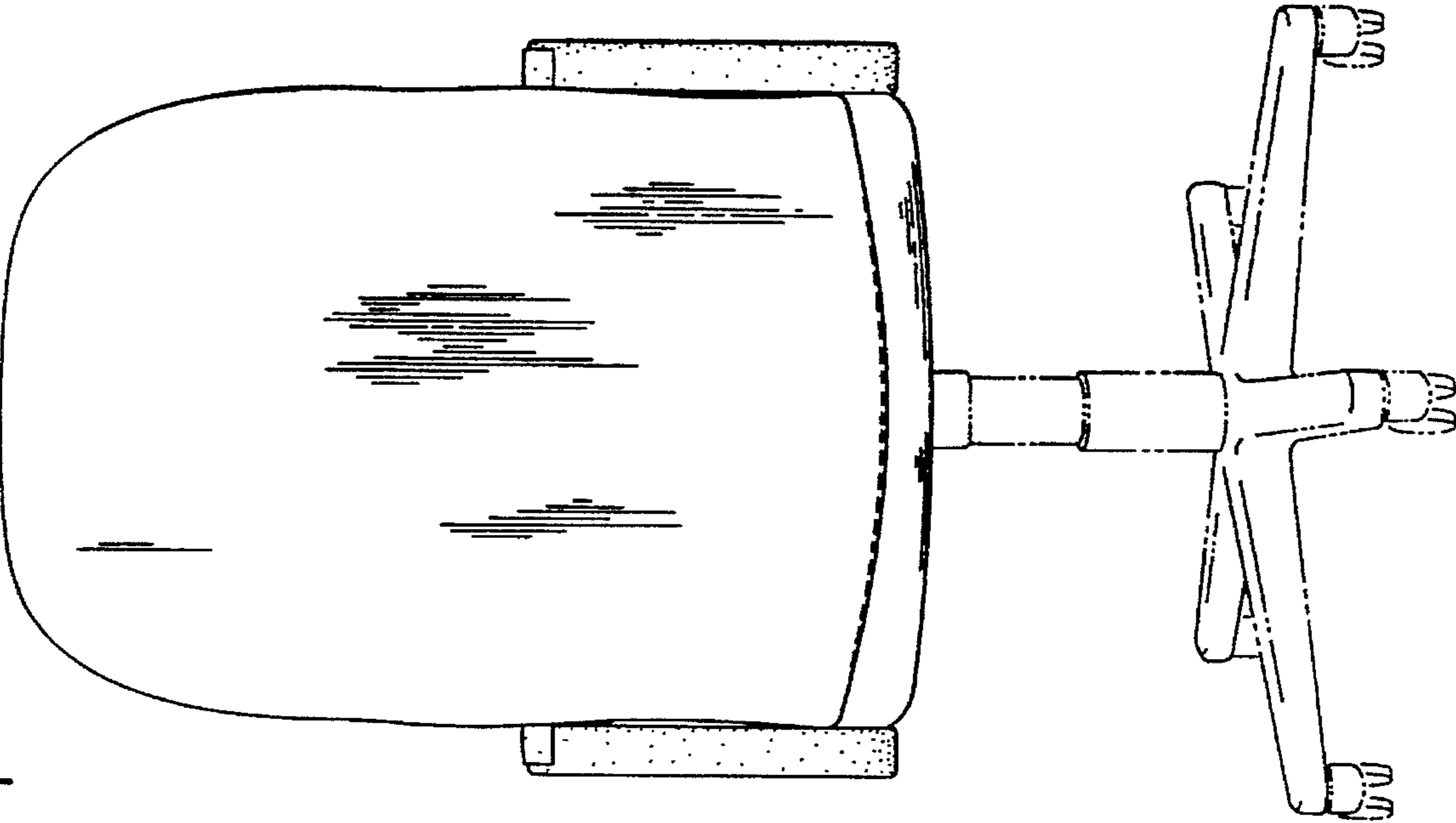


FIG 4

FIG 6

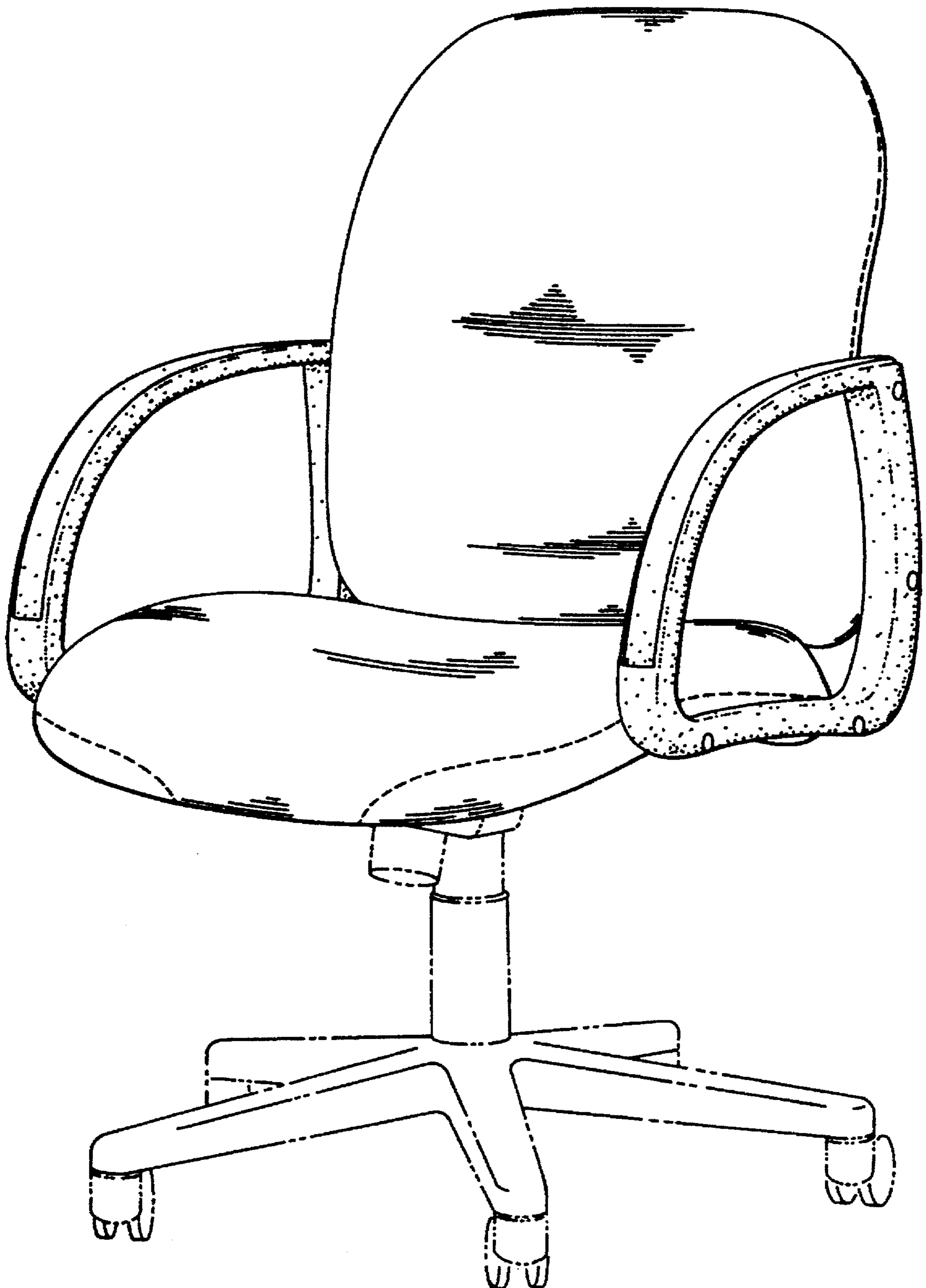


FIG 8

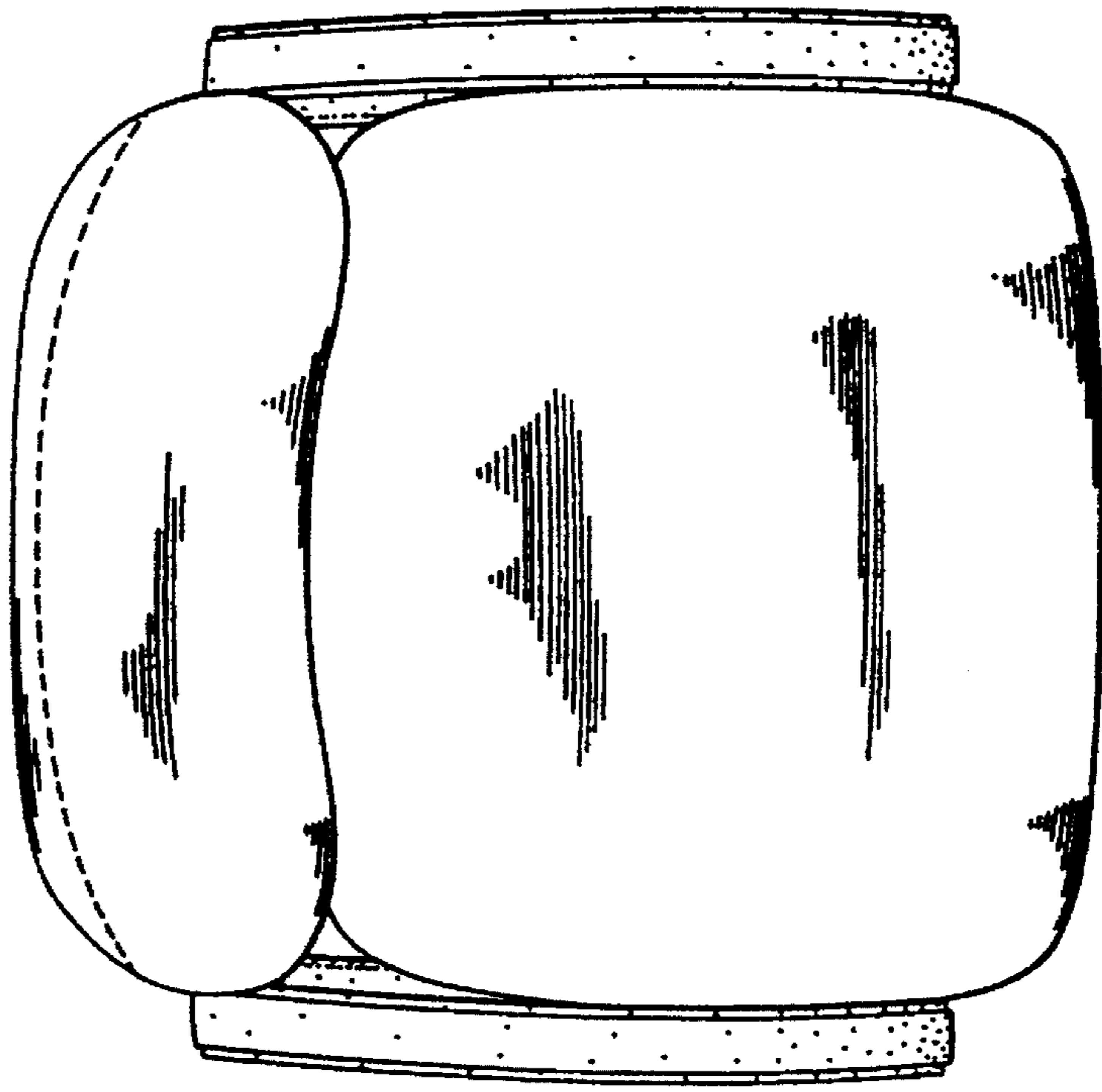


FIG 7

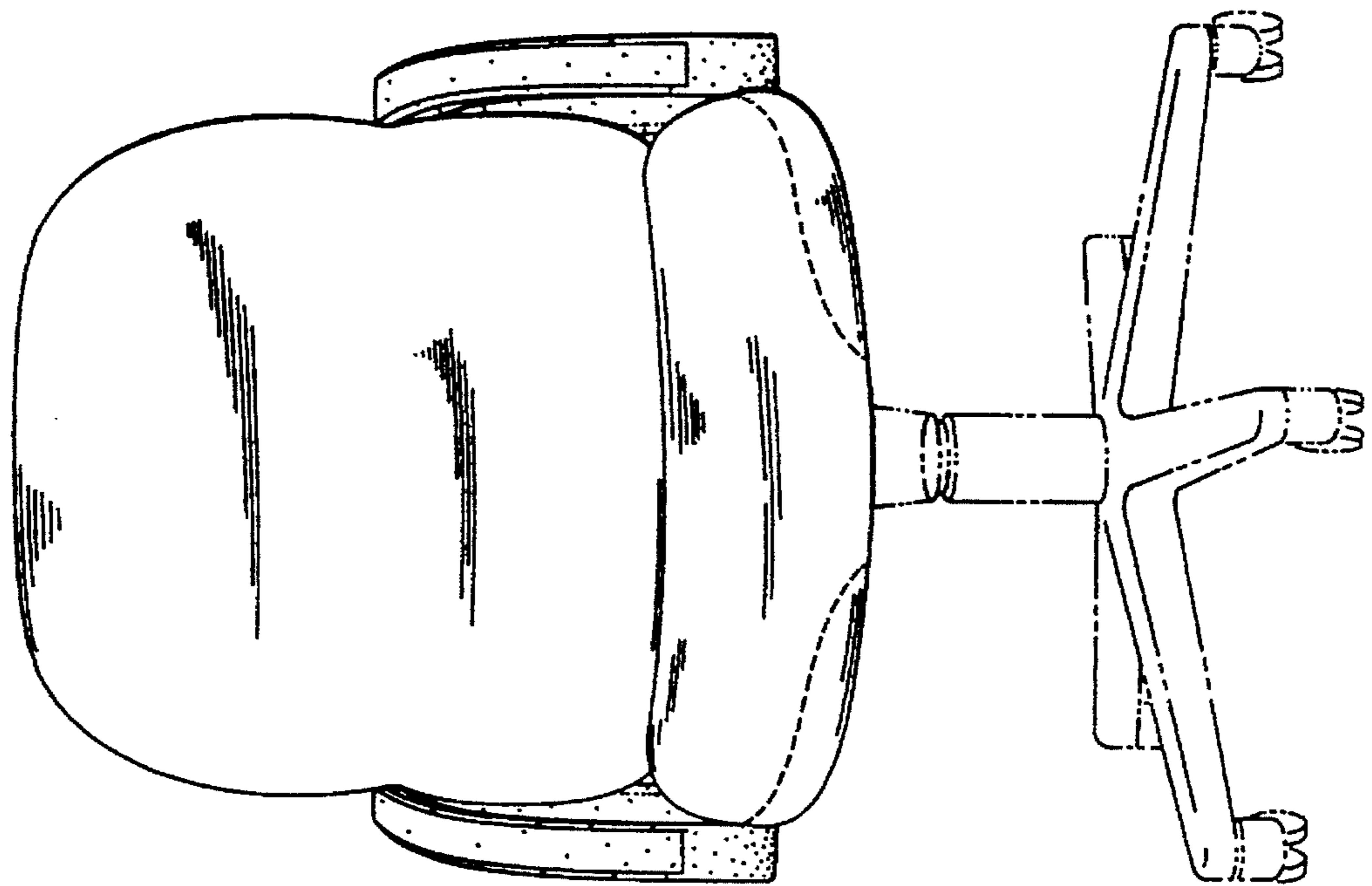


FIG 10

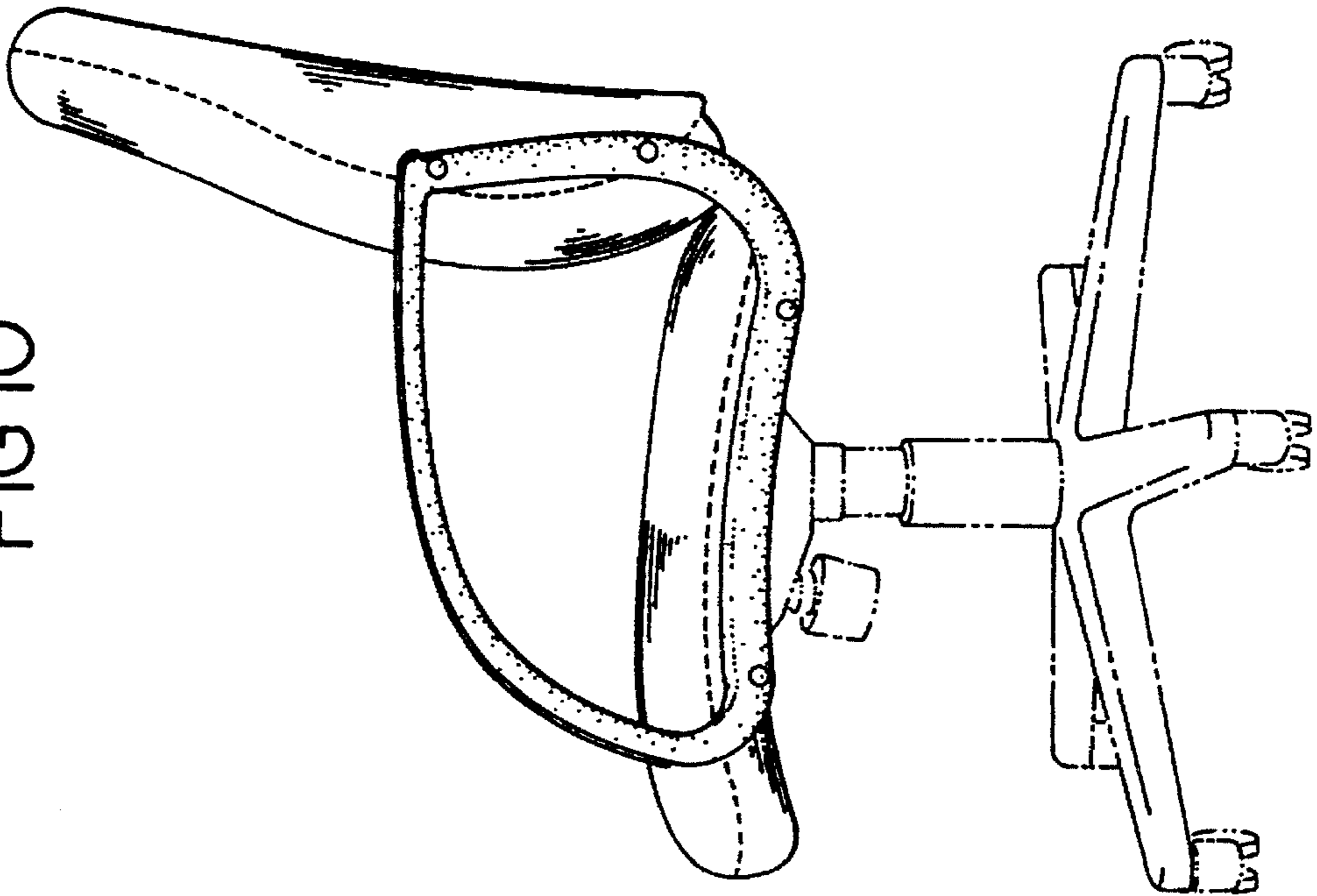


FIG 9

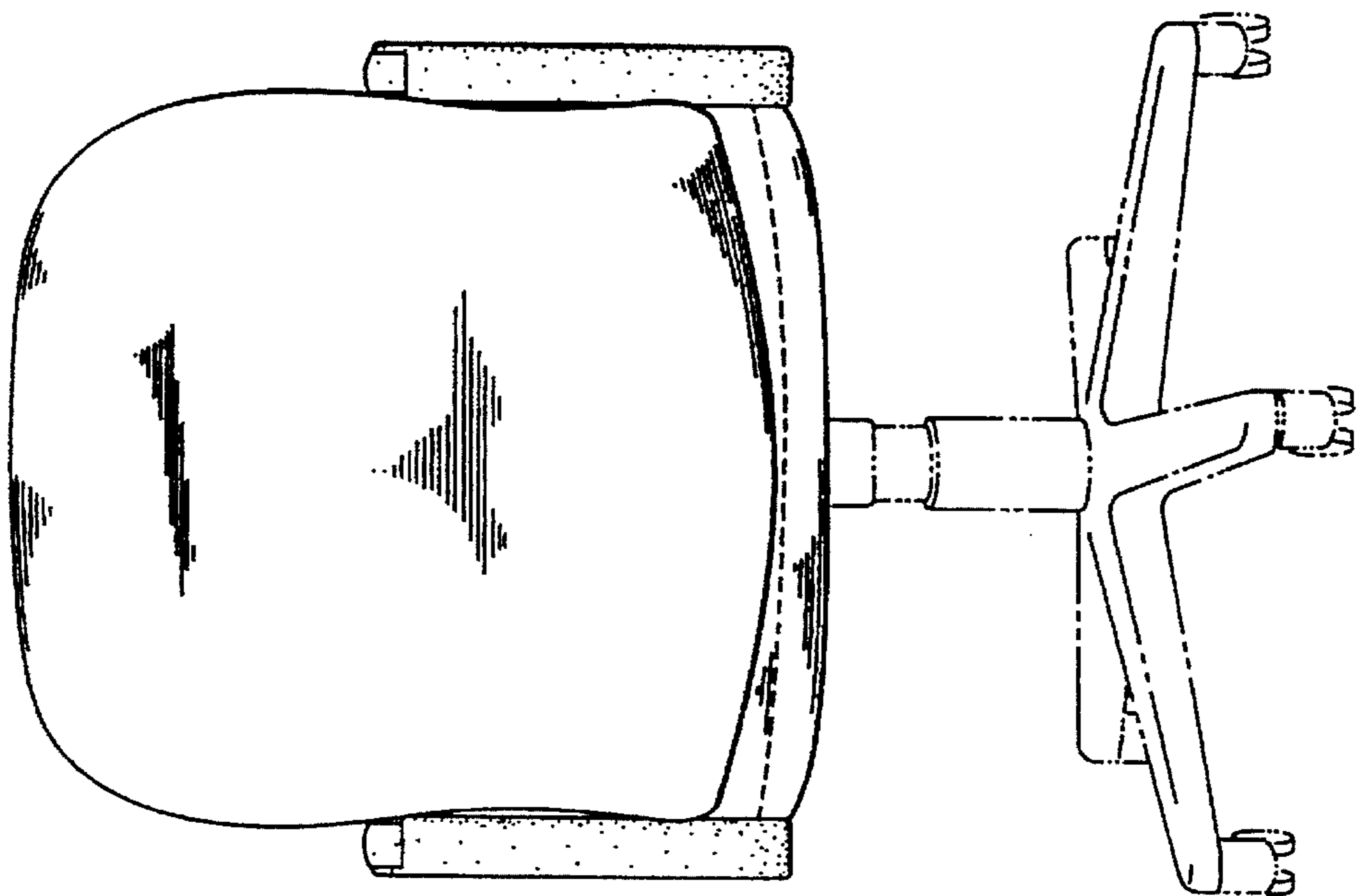
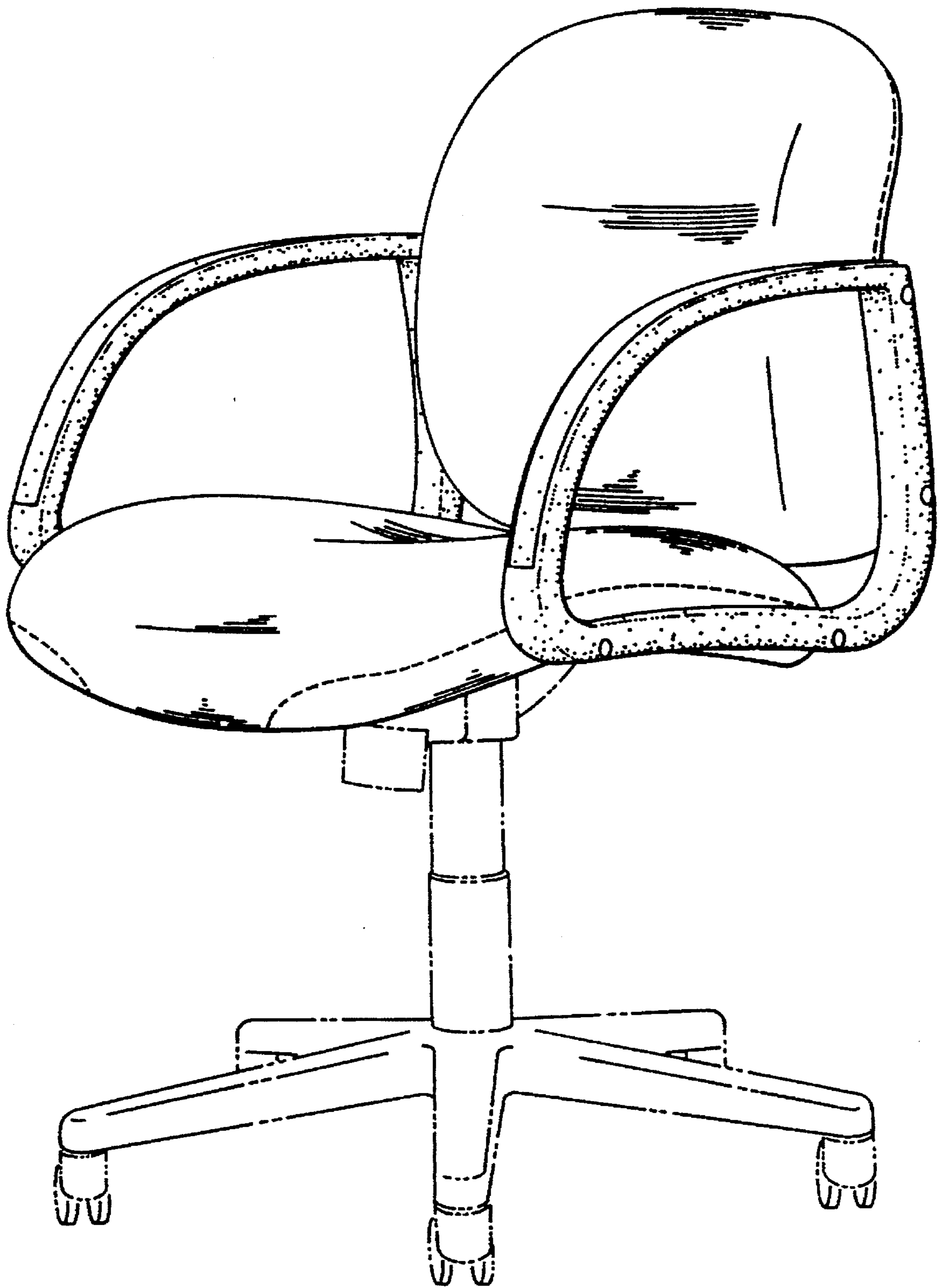


FIG II





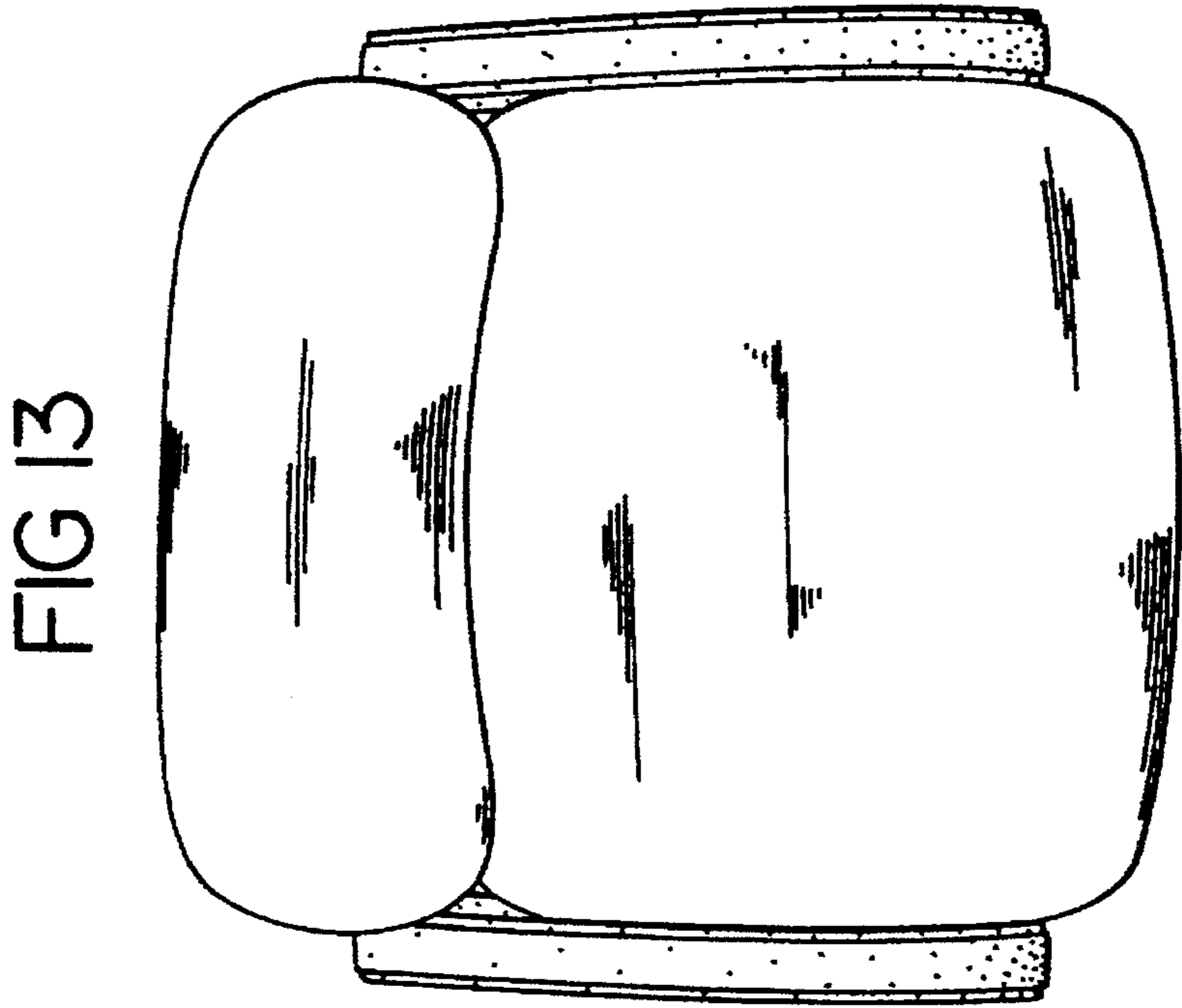


FIG 13

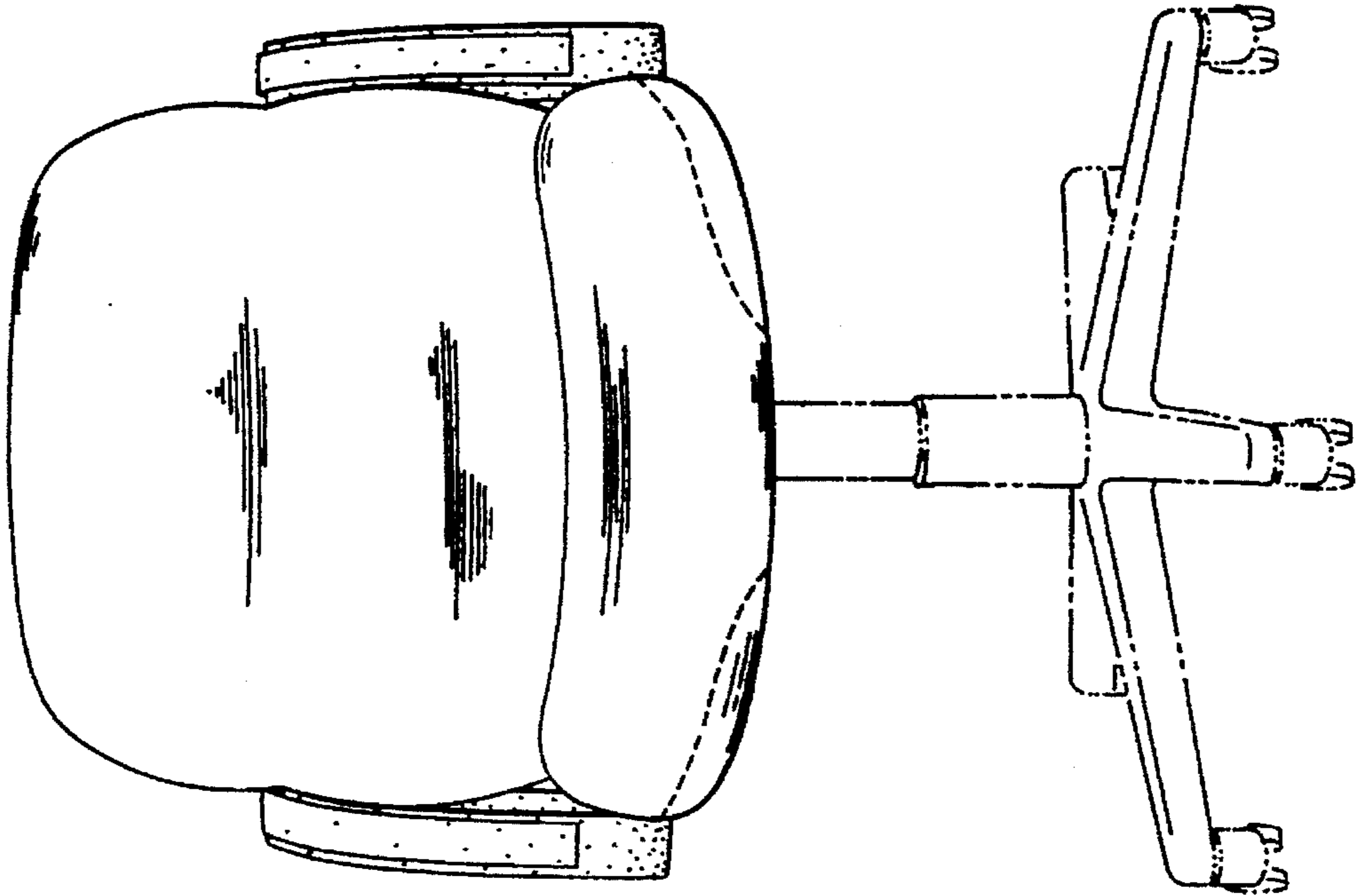


FIG 12

FIG 15

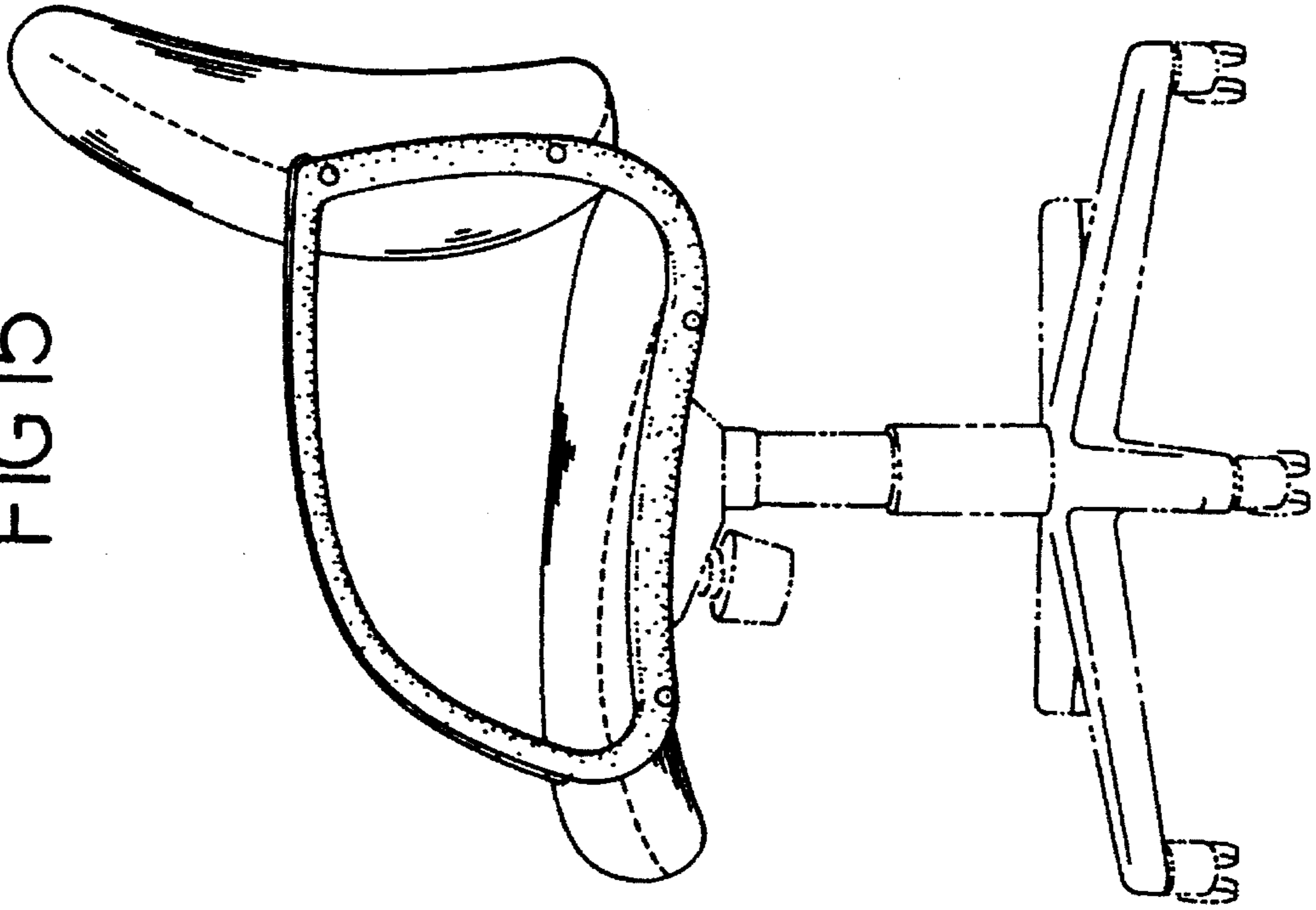


FIG 14

