



US00D369702S

United States Patent [19]
VanSkiver et al.

[11] **Patent Number: Des. 369,702**

[45] **Date of Patent: **May 14, 1996**

[54] **TABLE**

[75] Inventors: **Ralph VanSkiver; Shannon R. Bynum**, both of Arlington, Tex.

[73] Assignee: **Doskocil Manufacturing Company, Inc.**, Arlington, Tex.

[**] Term: **14 Years**

[21] Appl. No.: **27,017**

[22] Filed: **Aug. 11, 1994**

[52] U.S. Cl. **D6/480; D6/511**

[58] **Field of Search** D6/480-489, 495, D6/497, 498, 499, 511, 450, 451, 429; 108/150, 153, 156, 161; 248/188, 188.1

[56] **References Cited**

U.S. PATENT DOCUMENTS

D. 93,307	9/1934	Treitel	D6/488 X
D. 254,763	4/1980	Crespi	D6/480 X
D. 268,070	3/1983	Crespi	D6/482
D. 280,789	10/1985	Murphy, Jr.	D6/480 X
D. 341,278	11/1993	Peterson	D6/480

Primary Examiner—Janice E. Seeger
Attorney, Agent, or Firm—Andrew J. Dillon

[57] **CLAIM**

The ornamental design for a table, as shown and described.

DESCRIPTION

FIG. 1 is a perspective view of the first embodiment of the table of the present invention;

FIG. 2 is a top view of the first embodiment of the table of the present invention;

FIG. 3 is a side view of the first embodiment of the table, the opposite side being a mirror image thereof, of the present invention;

FIG. 4 is an end view of the first embodiment of the table, the opposite end being a mirror image thereof, of the present invention;

FIG. 5 is a bottom view of the first embodiment of the table of the present invention;

FIG. 6 is a perspective view of the second embodiment of the table of the present invention;

FIG. 7 is a top view of the second embodiment of the table of the present invention;

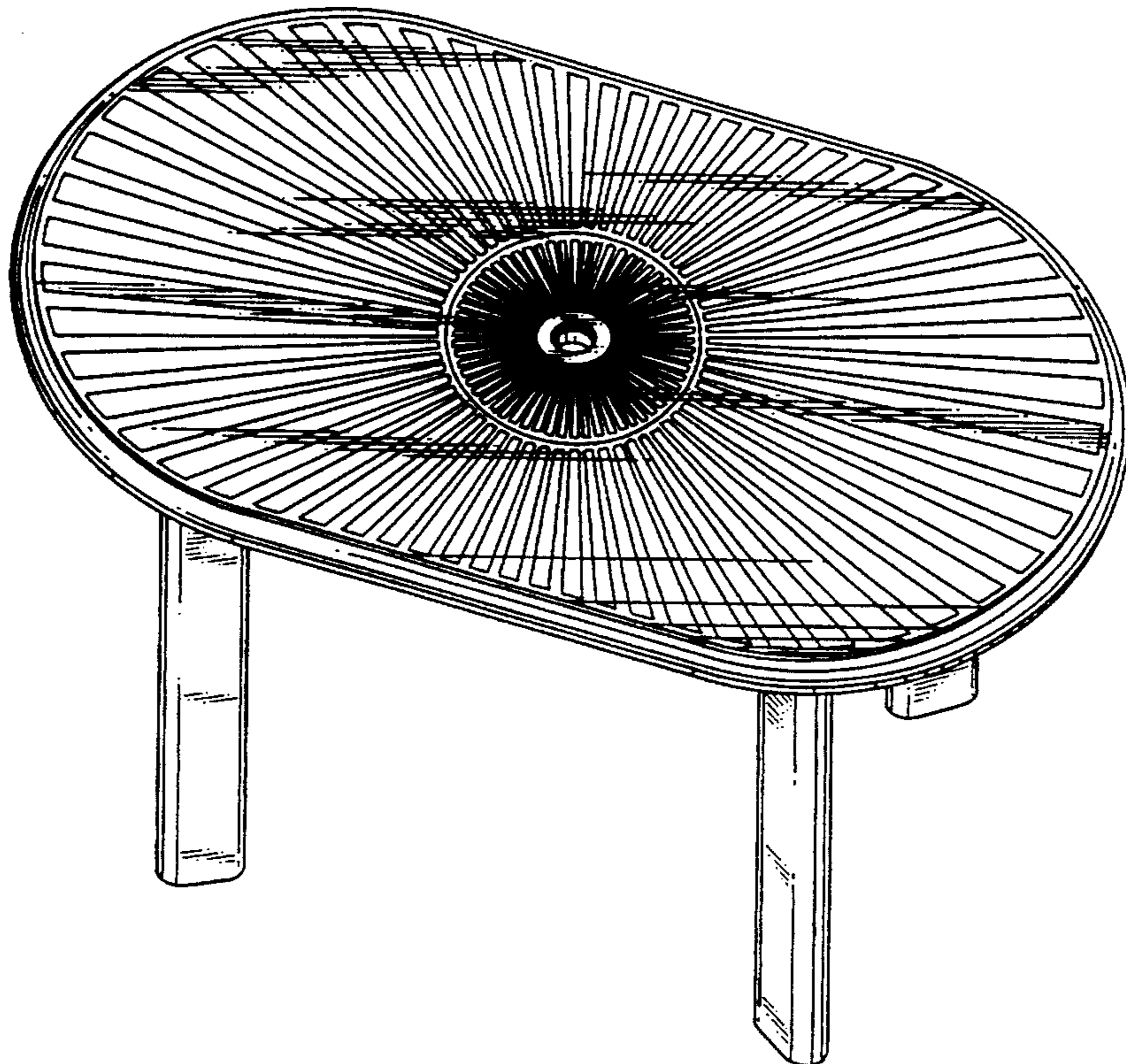
FIG. 8 is side view of the second embodiment of the table, the opposite side being a mirror image thereof, of the present invention;

FIG. 9 is an end view of the second embodiment of the table, the opposite end being a mirror image thereof, of the present invention;

FIG. 10 is a bottom view of the second embodiment of the table of the present invention; and,

FIG. 11 is a sectional view of the top of the second embodiment of the table of the present invention, the top of the first embodiment being identical.

1 Claim, 6 Drawing Sheets



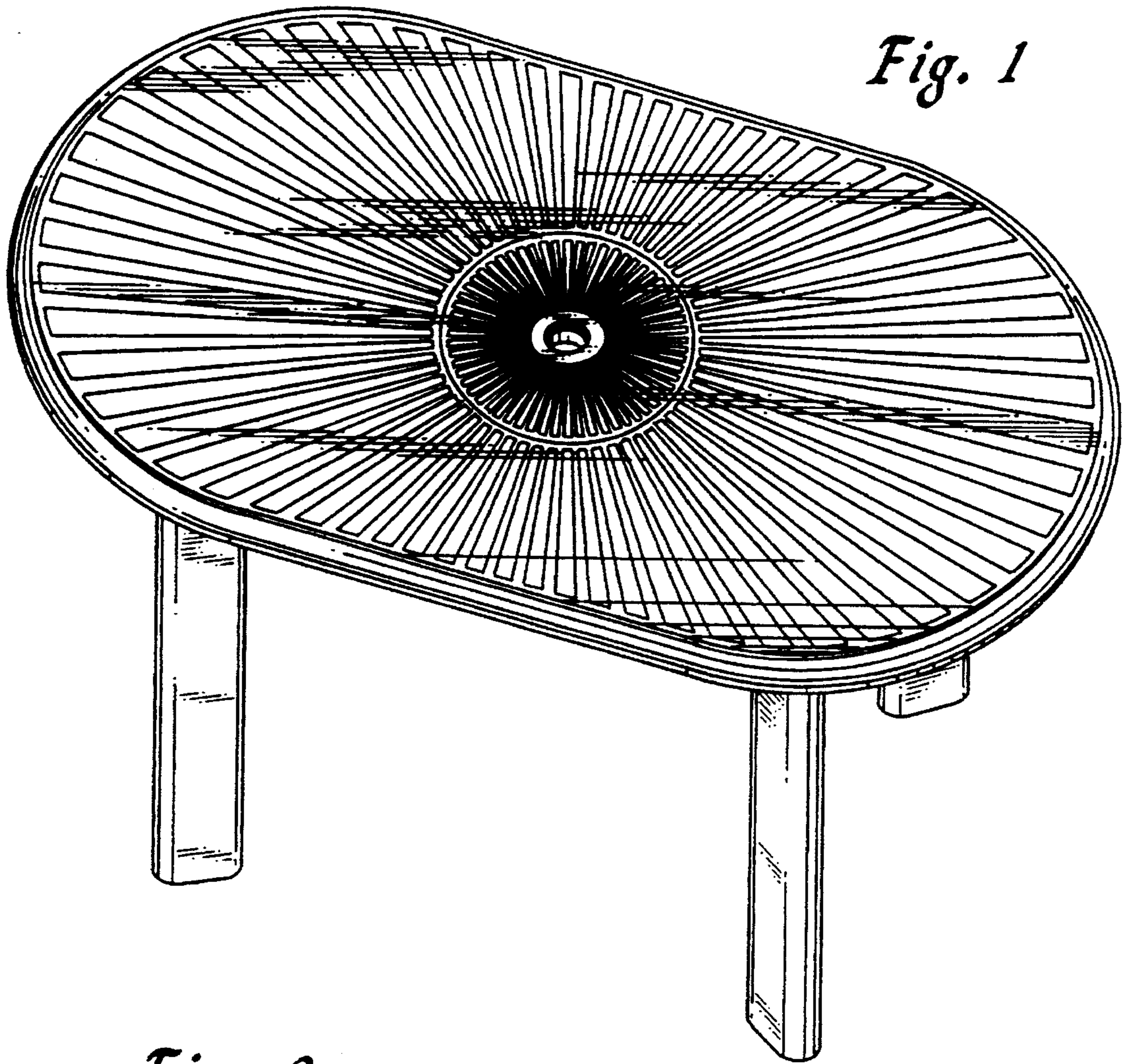
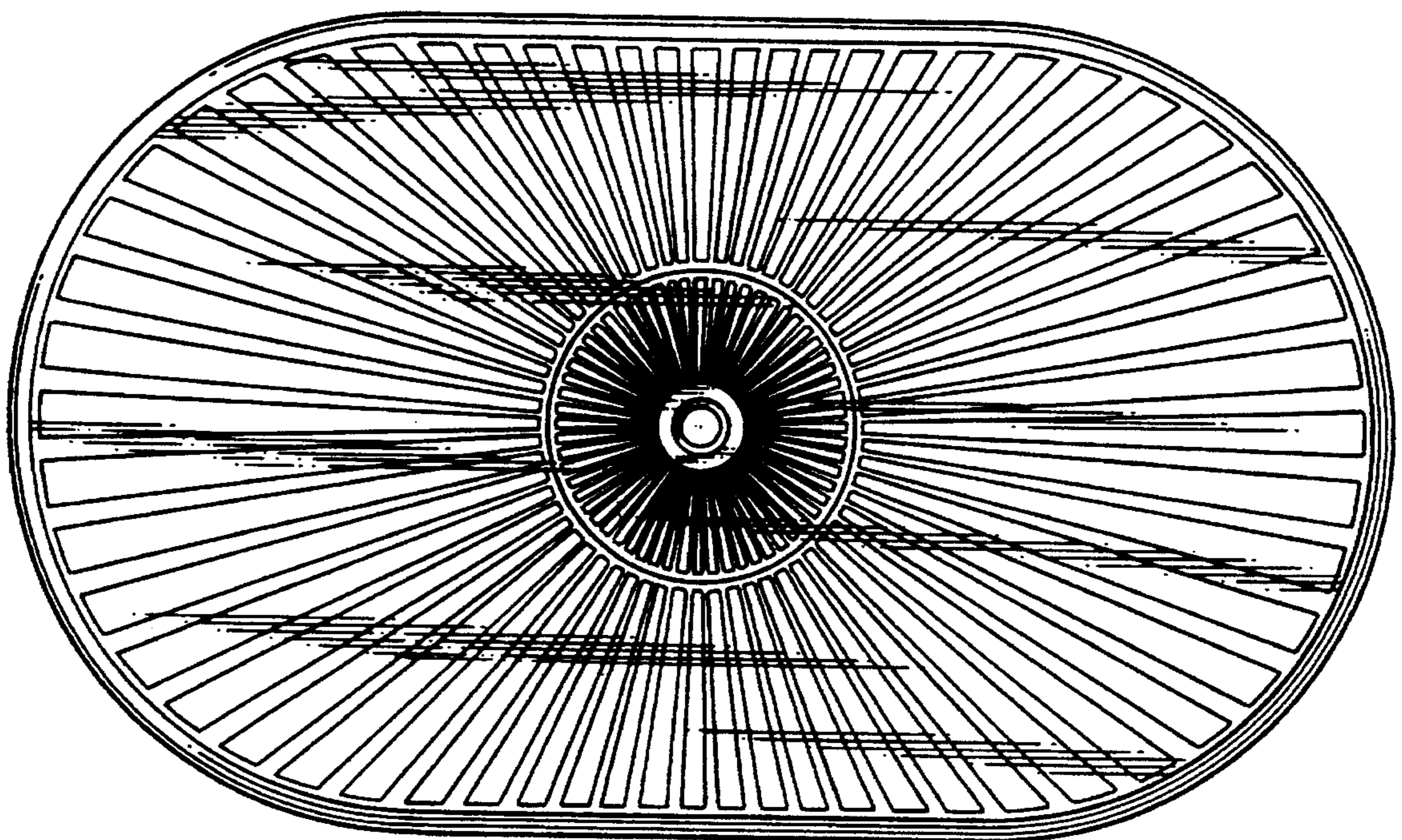


Fig. 1

Fig. 2



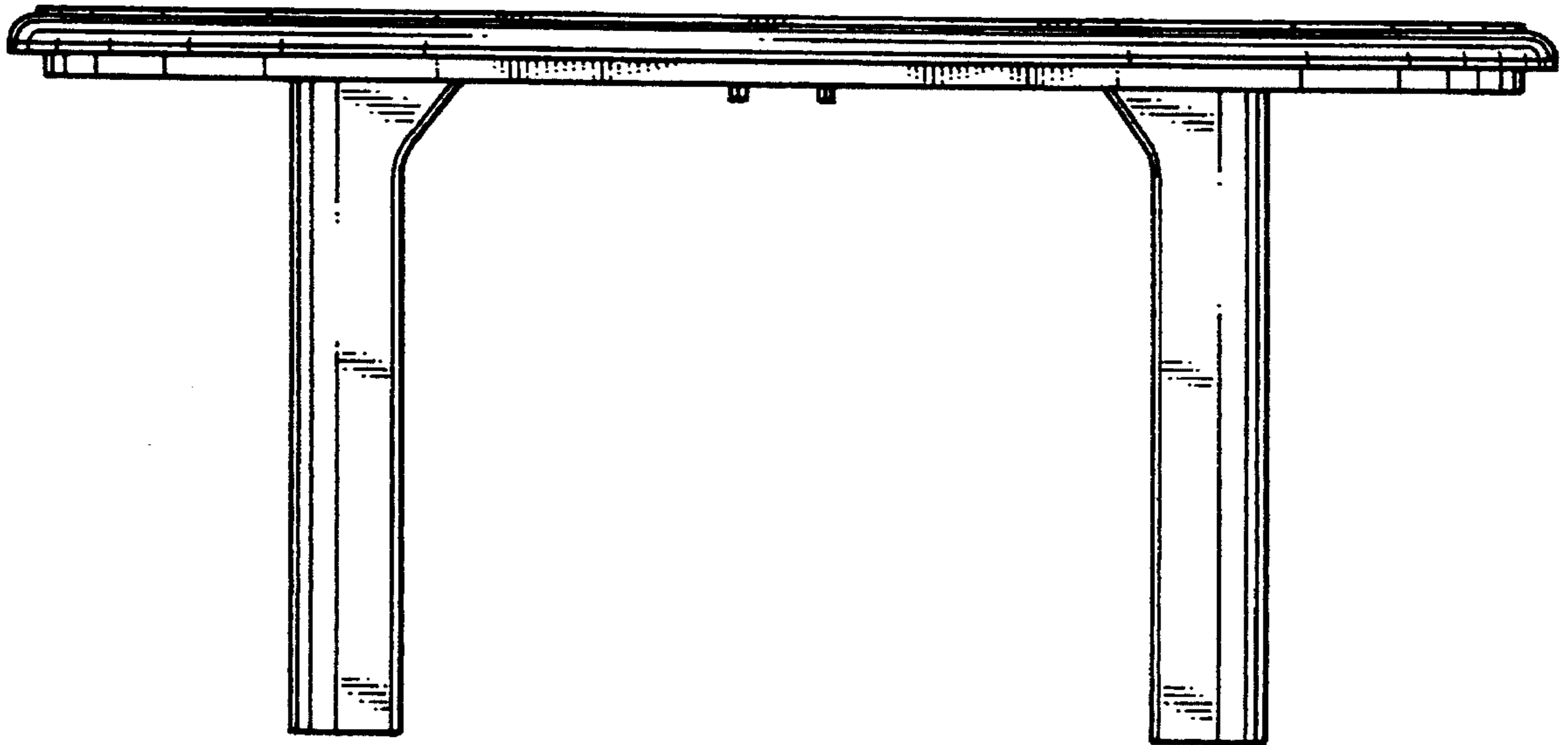


Fig. 3

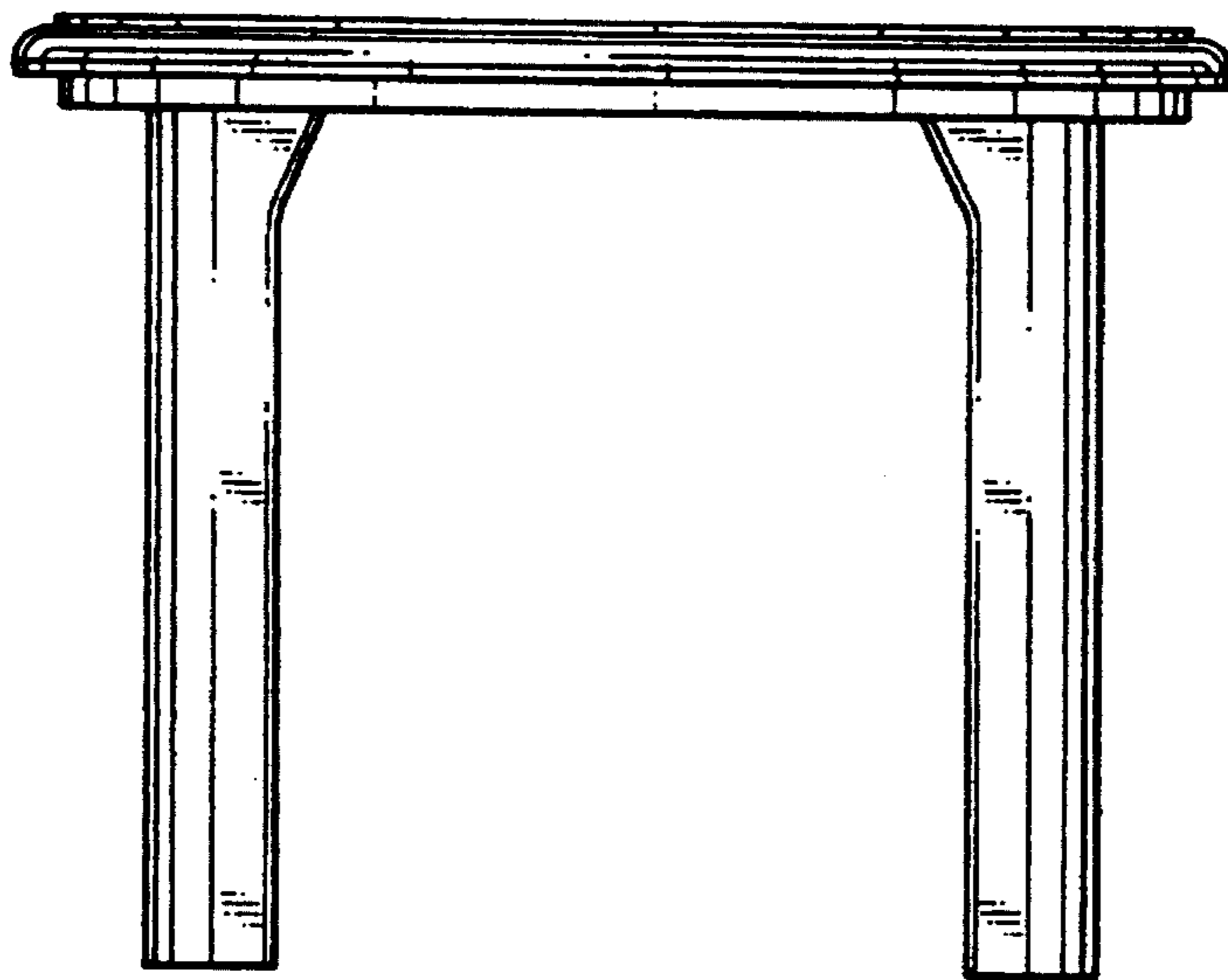


Fig. 4

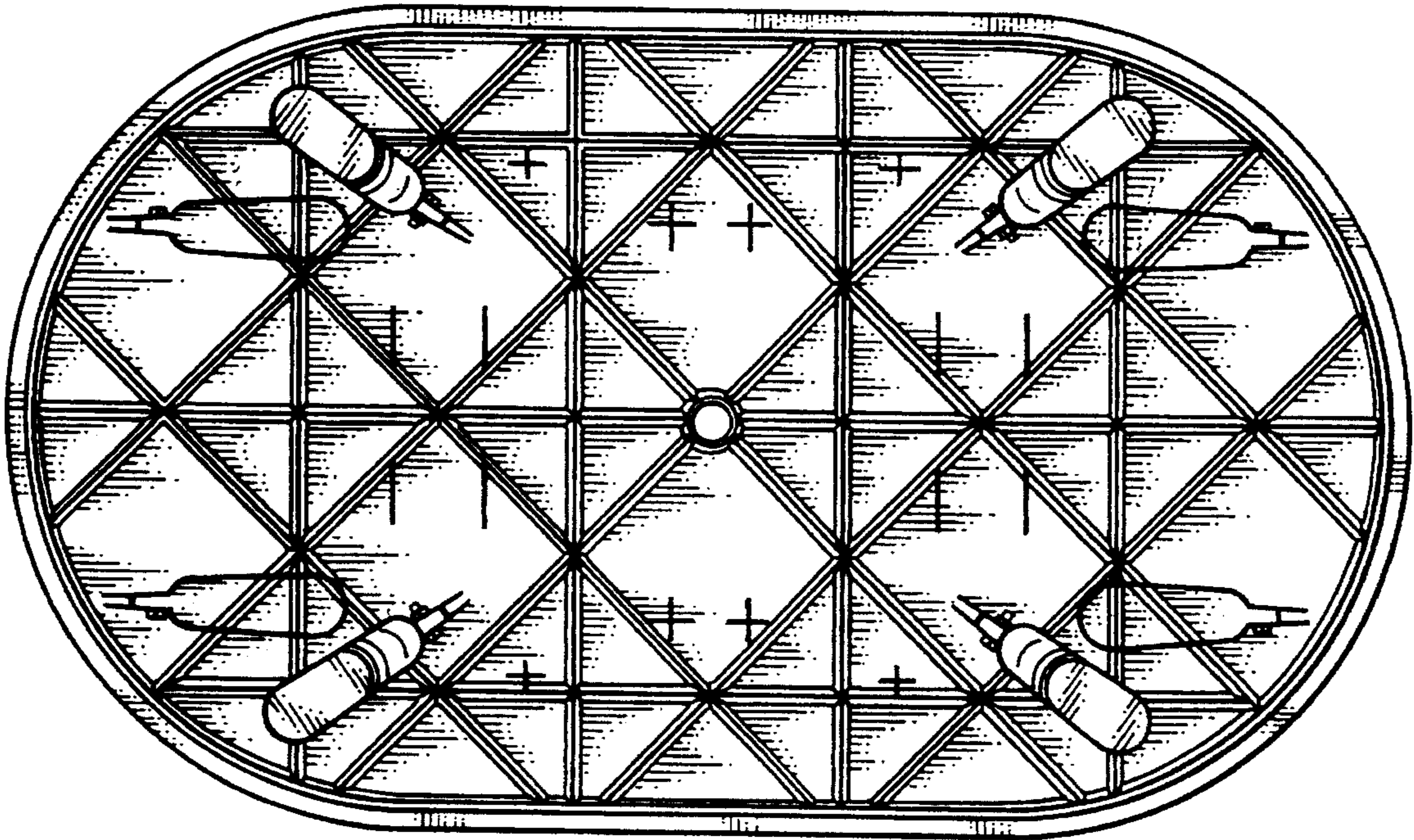


Fig. 5

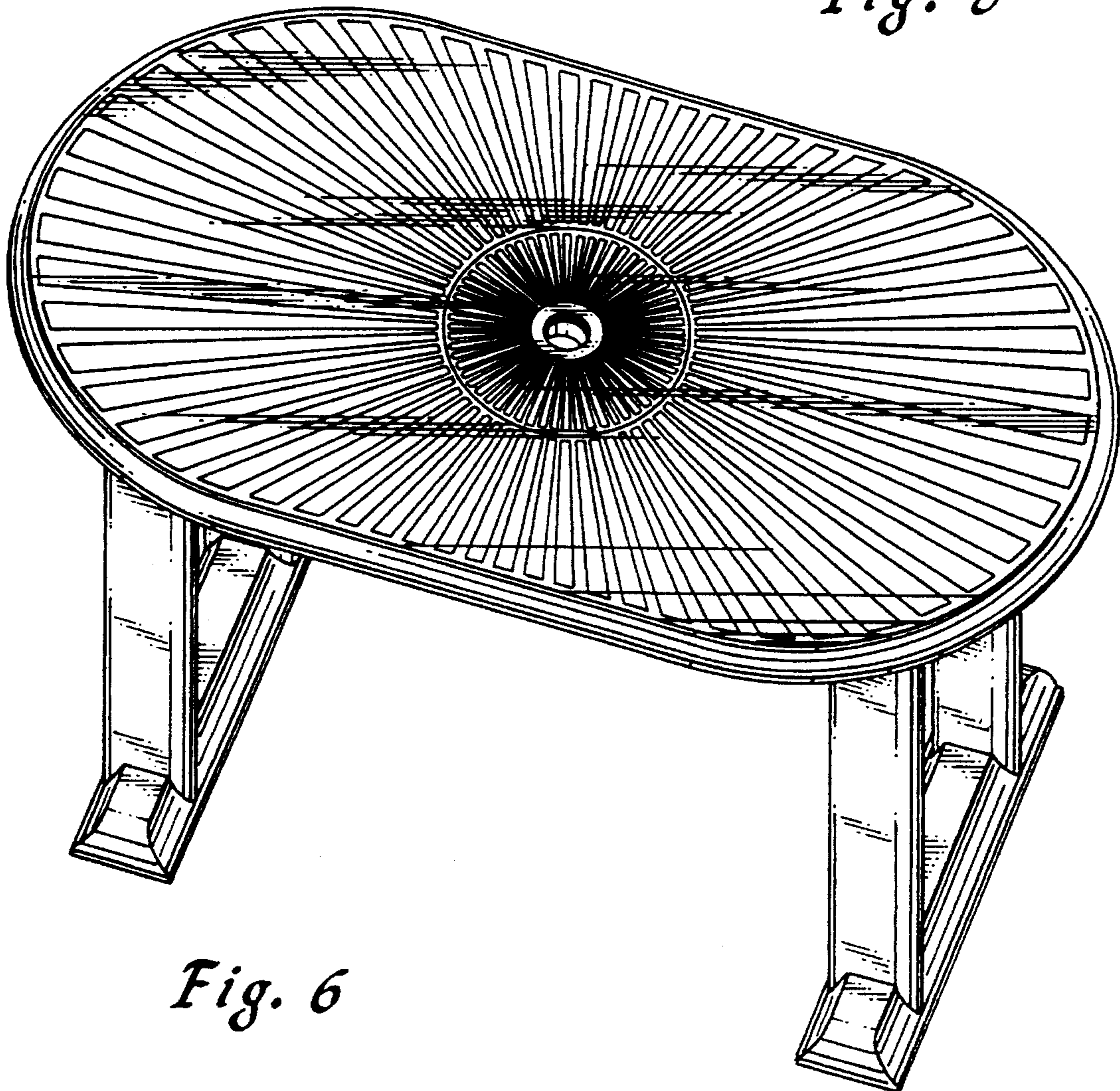


Fig. 6

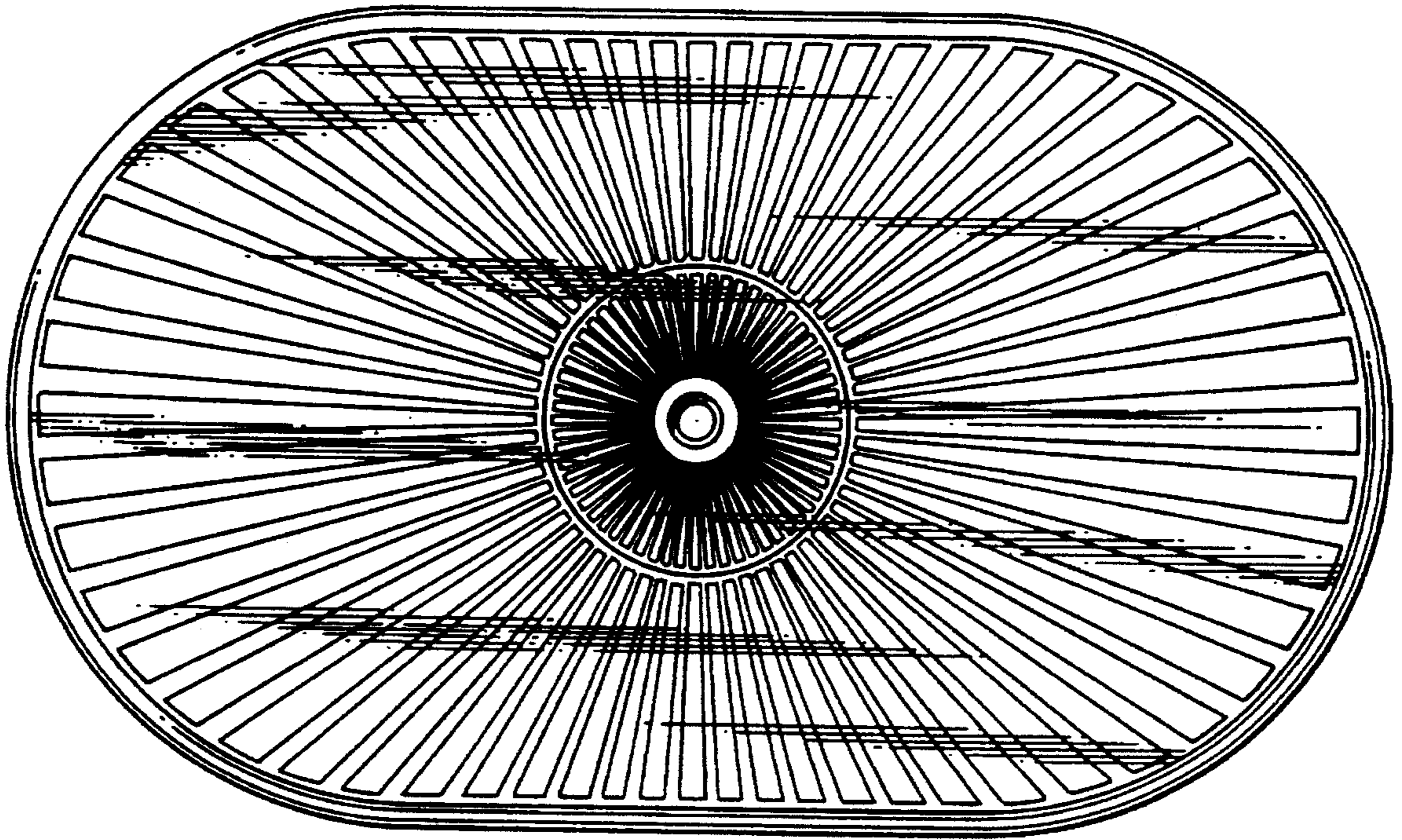


Fig. 7

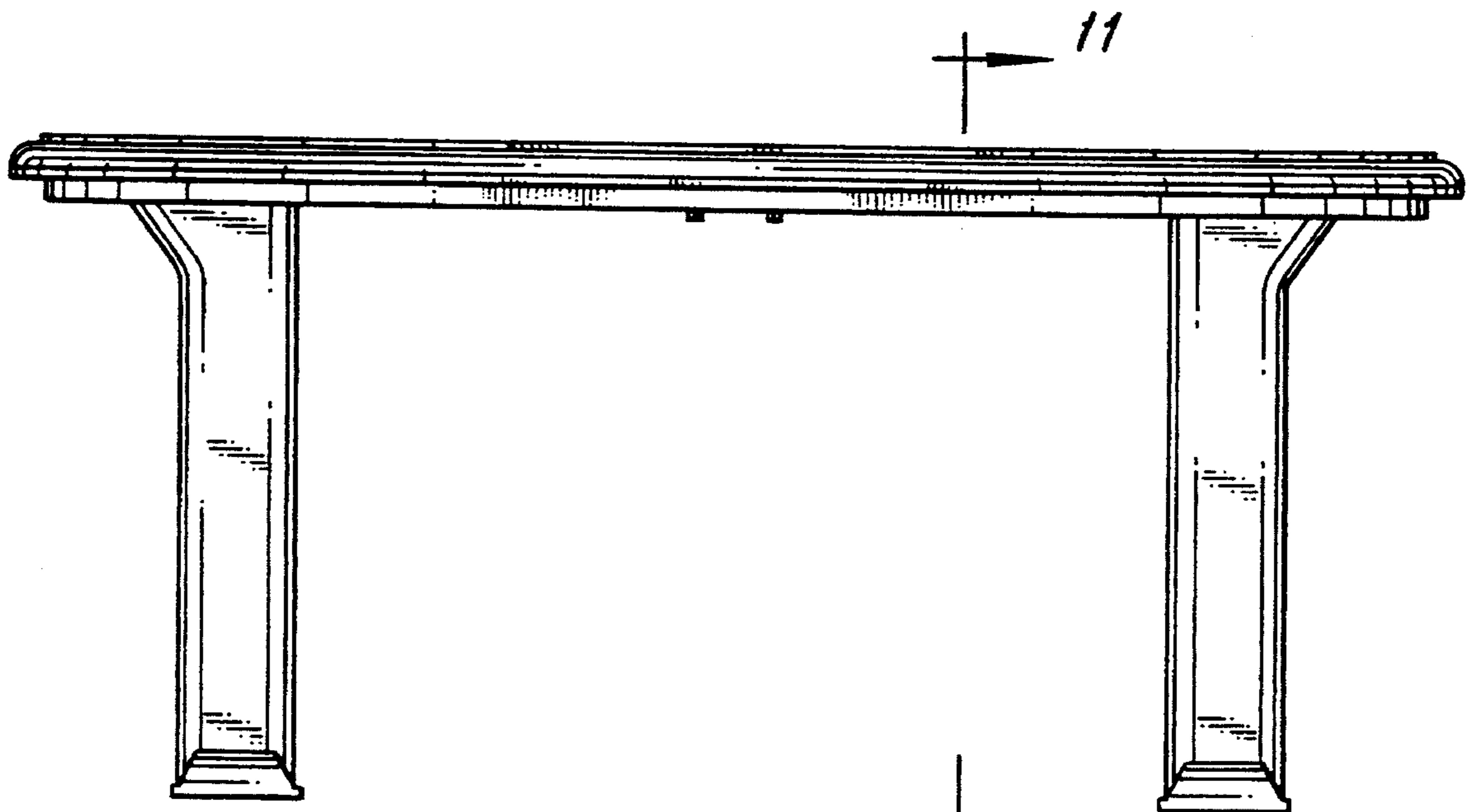


Fig. 8

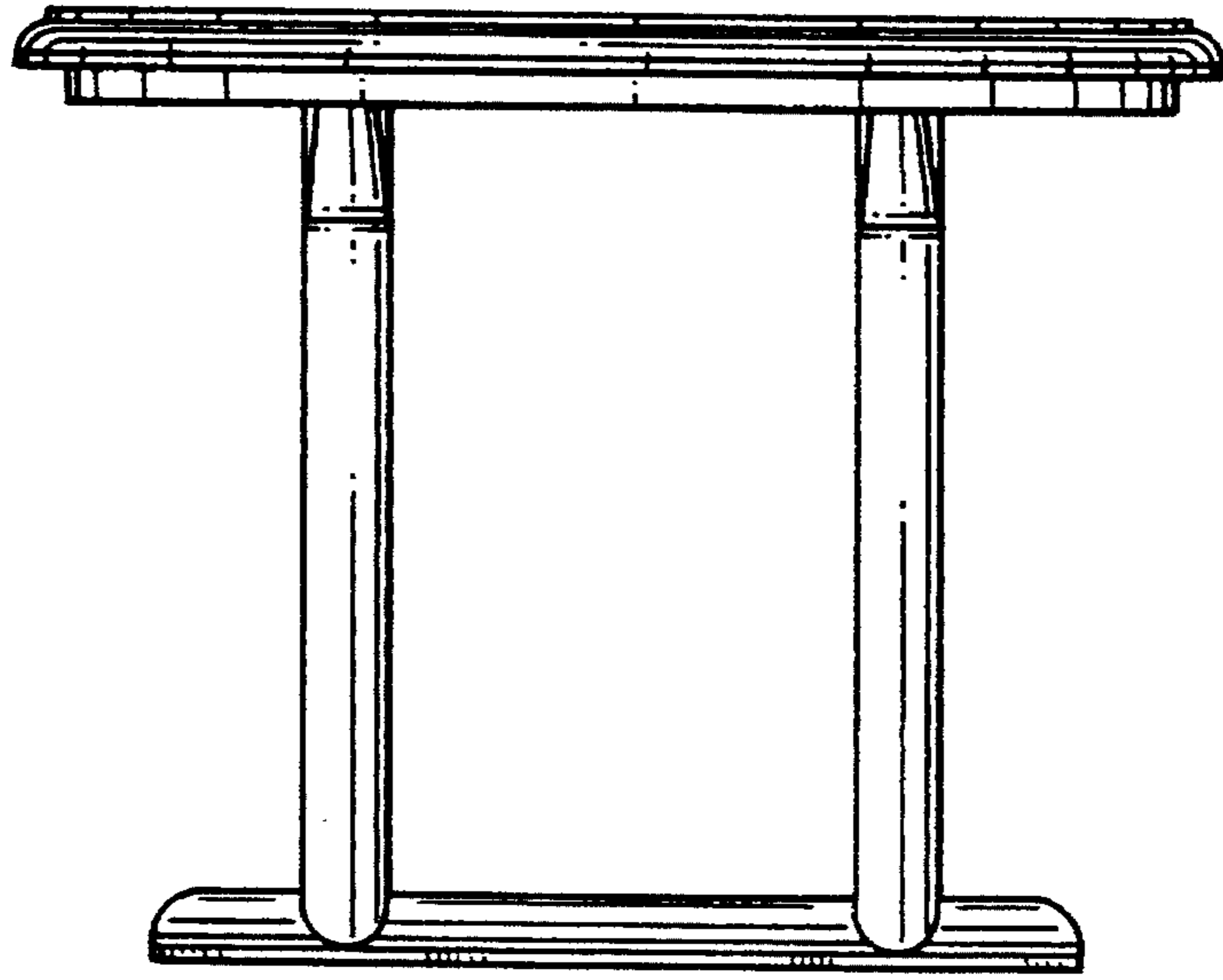


Fig. 9

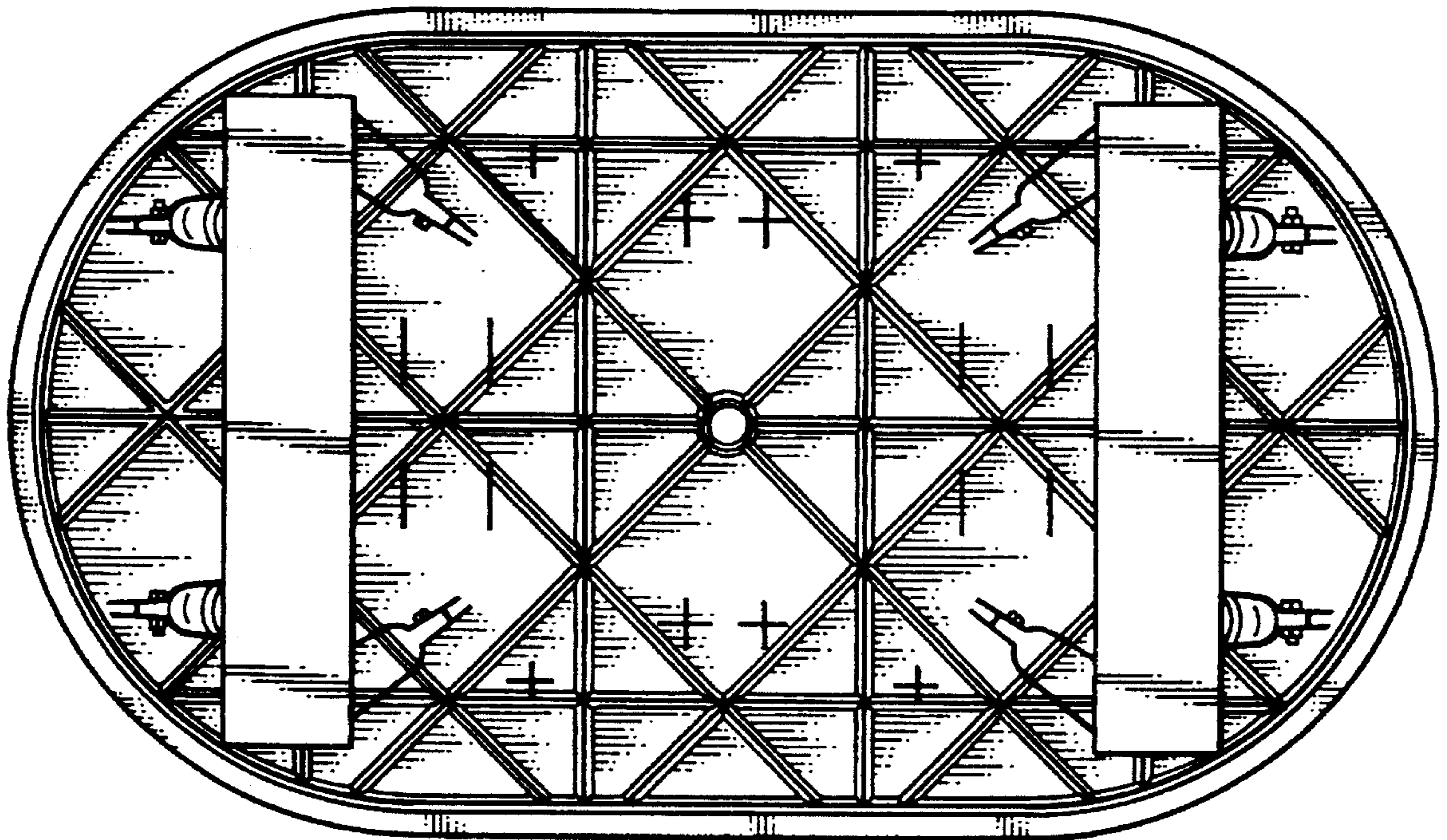


Fig. 10

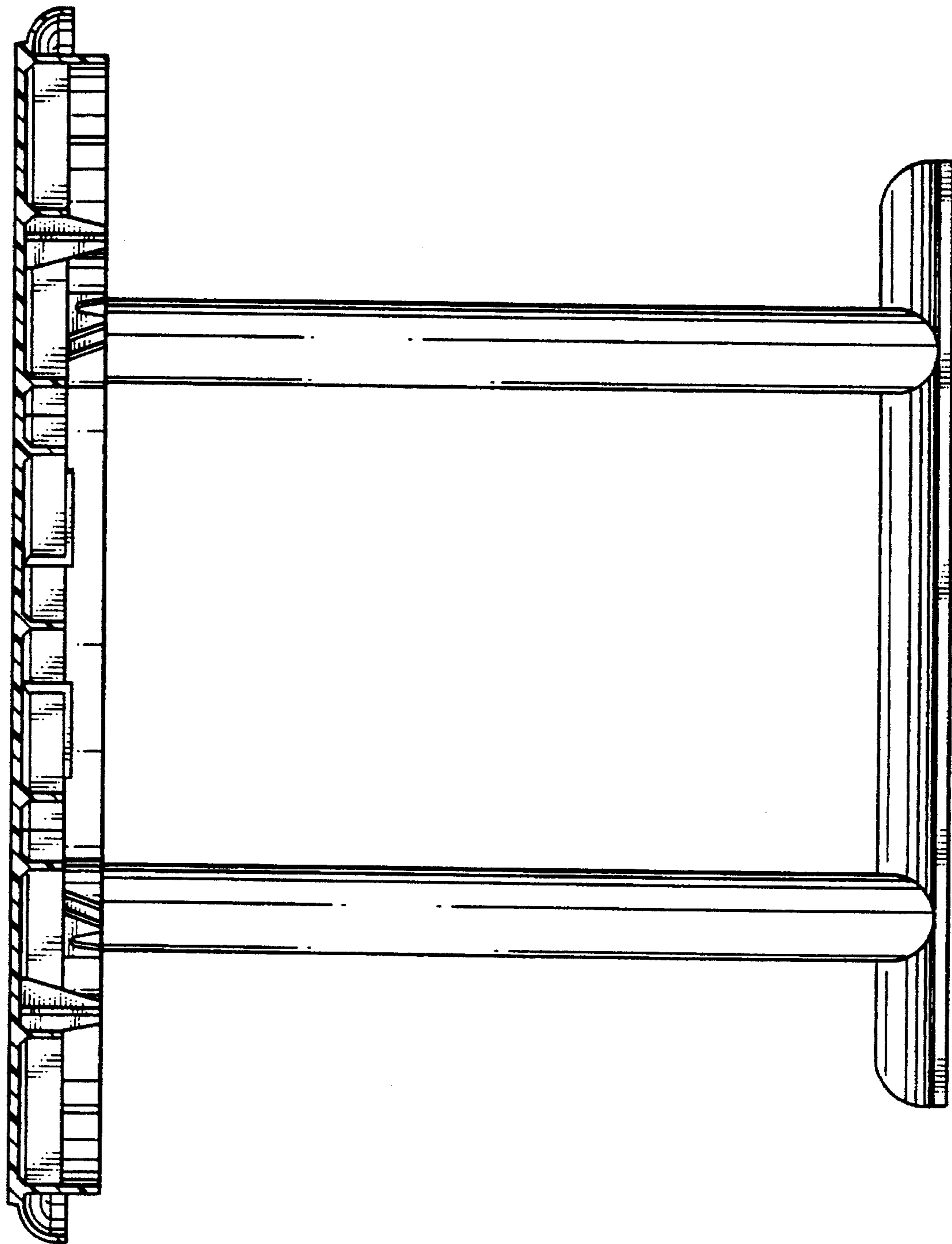


Fig. 11