



US00D369698S

**United States Patent** [19]  
**Hollinger**

[11] **Patent Number: Des. 369,698**

[45] **Date of Patent: \*\*May 14, 1996**

[54] **ROUND PLANT SHELF STAND**

[75] Inventor: **Fred Hollinger**, Kings Park, N.Y.

[73] Assignee: **American Tack & Hardware Co., Inc.**, Monsey, N.Y.

[\*\*] Term: **14 Years**

[21] Appl. No.: **35,006**

[22] Filed: **Feb. 17, 1995**

[52] **U.S. Cl.** ..... **D6/405**

[58] **Field of Search** ..... D6/403, 405, 477-479,  
D6/484, 487, 489

"GKS Decorative Metalcraft", Jul. 1940, p. 4, item No. XLT-1, lamp table.

"GKS Decorative Metalcraft", Jul. 1940, p. 5, item No. WS-36, whatnot stand.

*Primary Examiner*—Nelson C. Holtje

*Assistant Examiner*—S. Snapp

*Attorney, Agent, or Firm*—Hedman, Gibson & Costigan

[57] **CLAIM**

The ornamental design for a round plant shelf stand, as shown and described.

[56] **References Cited**

**U.S. PATENT DOCUMENTS**

D. 177,681 5/1956 Jones ..... D6/487 X

D. 245,136 7/1977 Hughes, Jr. .... D6/405

D. 343,968 2/1994 Emalfarb et al. .... D6/462 X

**OTHER PUBLICATIONS**

"Pottery Barn", Jan. 1992, p. 27, item No. G, Side Table, Plant Husbandry Boxes.

"Evans Catalog", 88/89, p. 244y, item No. 11, 3-tiered plant stand.

**DESCRIPTION**

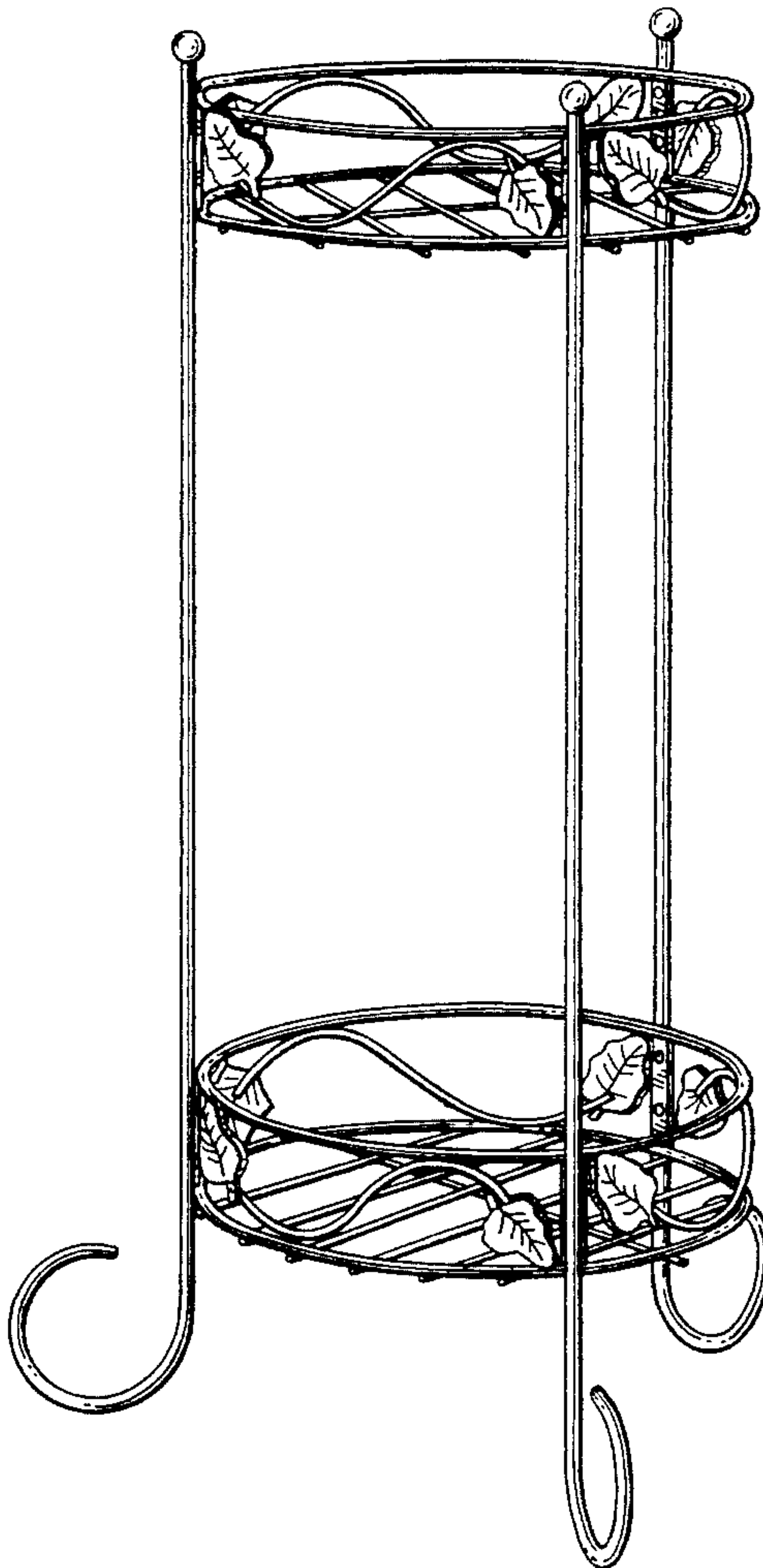
FIG. 1 is a front perspective view of a round plant shelf stand according to my design;

FIG. 2 is a side view of my design;

FIG. 3 is a top view of my design; and,

FIG. 4 is a bottom view of my design.

**1 Claim, 4 Drawing Sheets**



*FIG. 1*

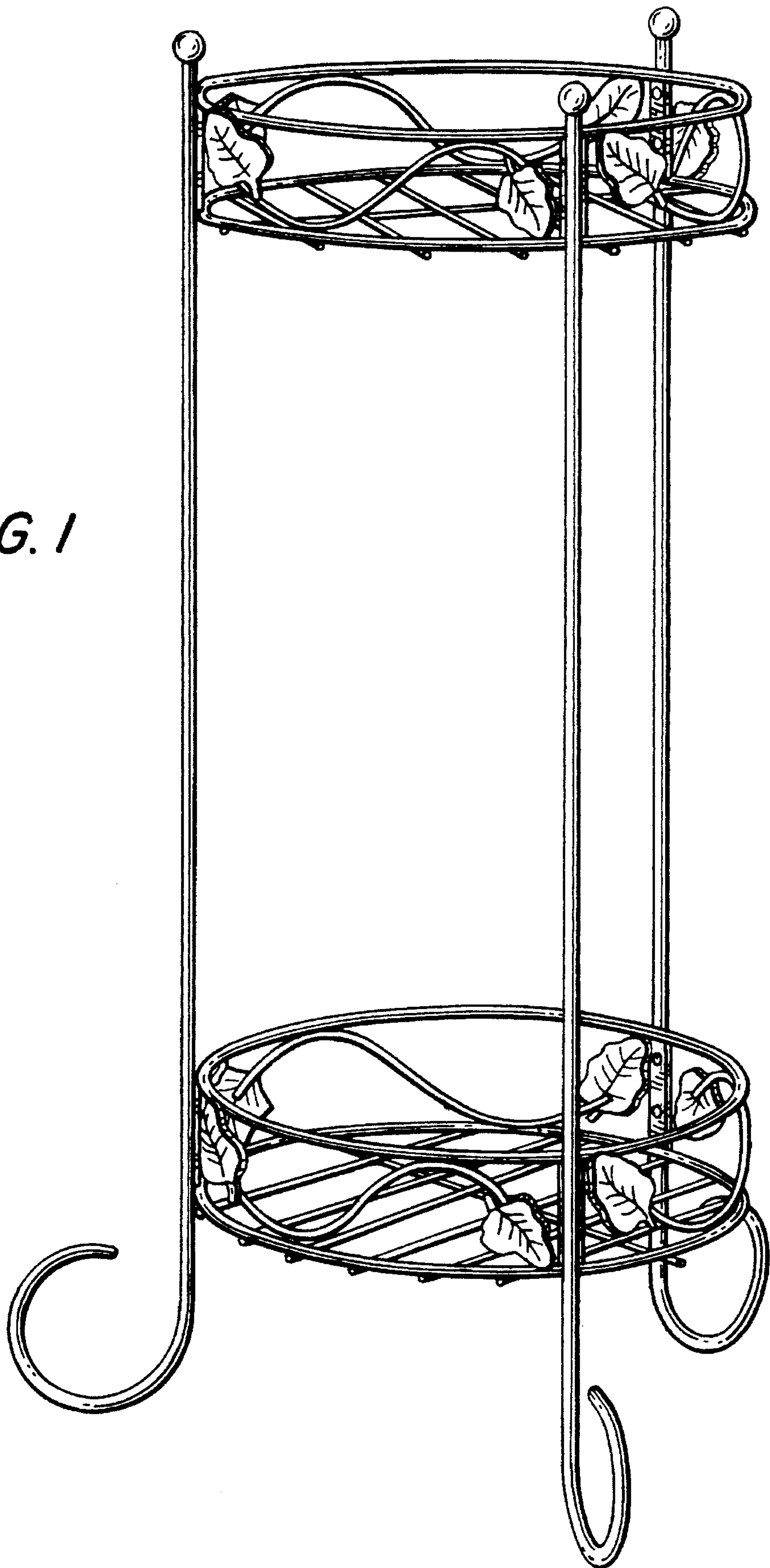
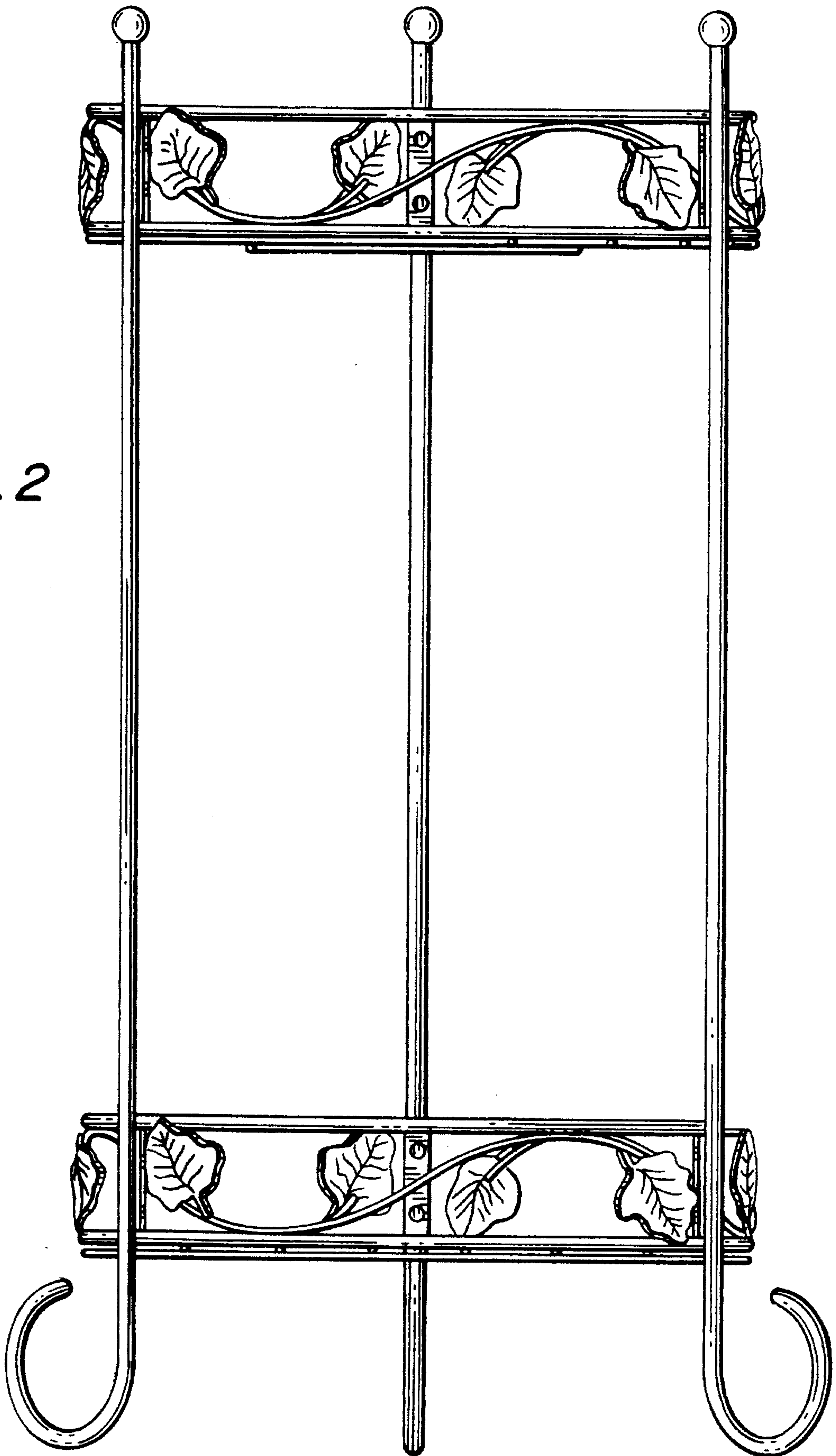
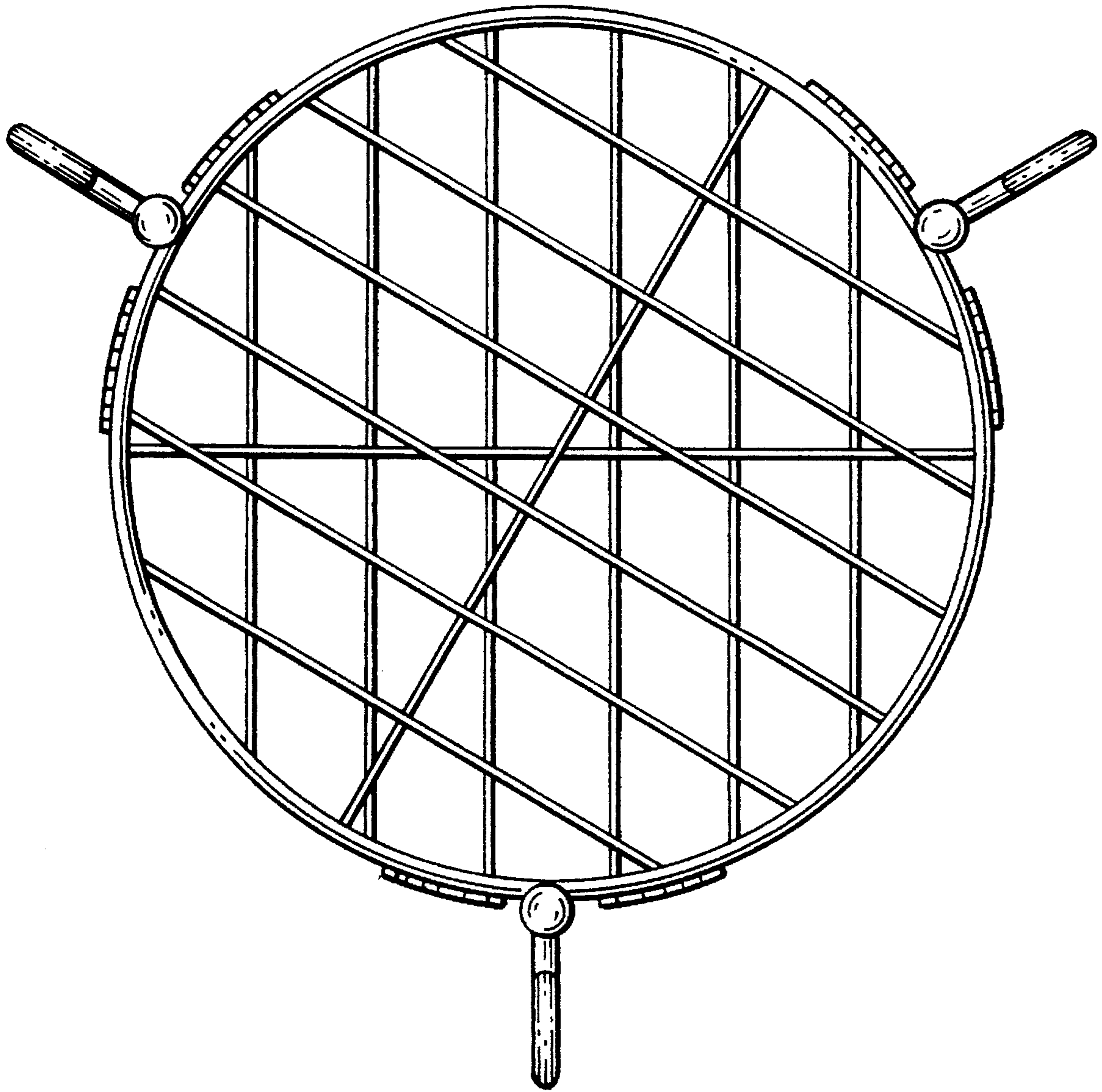


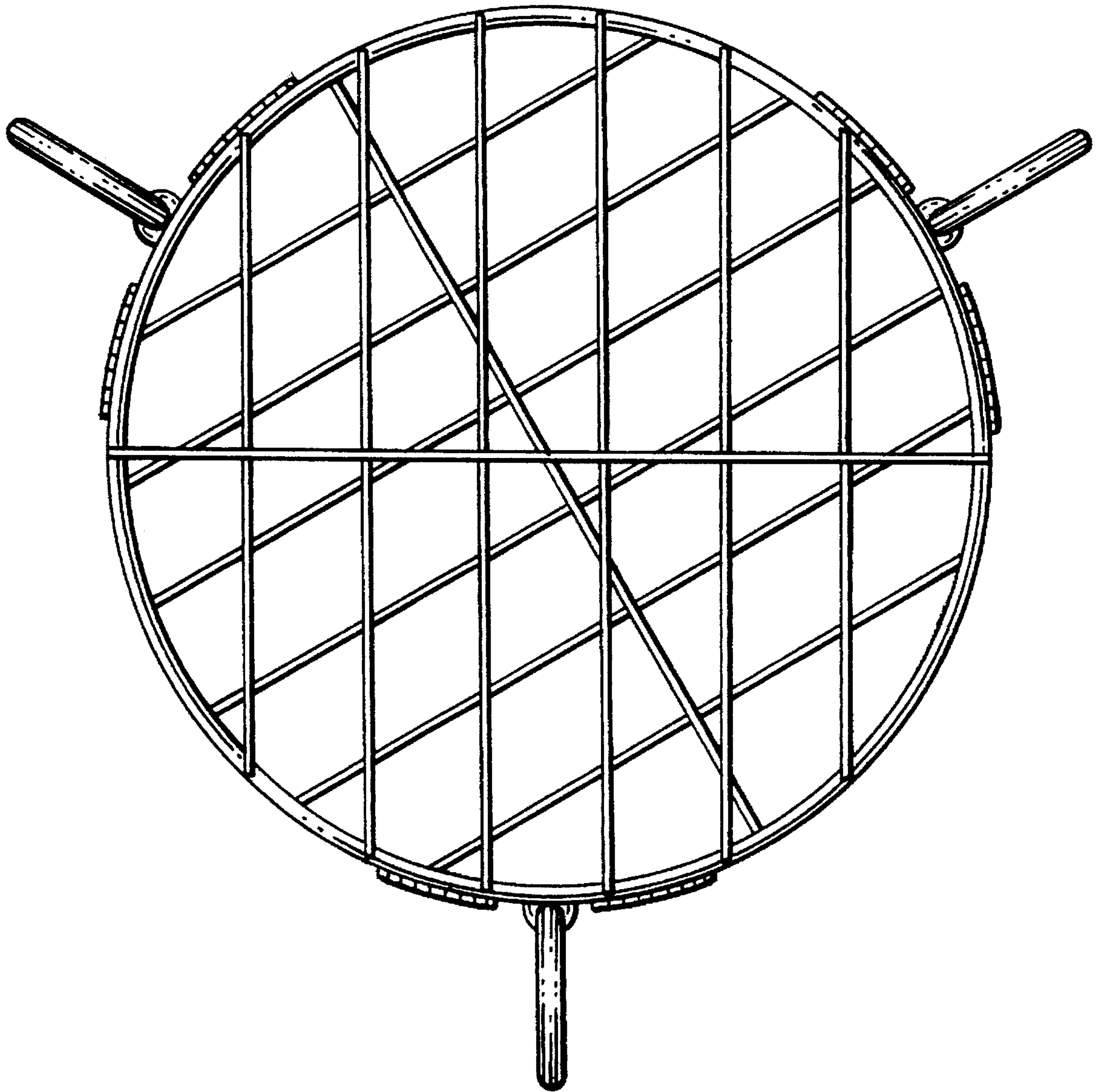
FIG. 2







*FIG. 3*



*FIG. 4*