



US00D369695S

# United States Patent [19]

Imotani

[11] Patent Number: **Des. 369,695**

[45] Date of Patent: **\*\*May 14, 1996**

[54] **ICE-BOX WITH A FOLDING TABLE**

[75] Inventor: **Mitsuru Imotani, Yao, Japan**

[73] Assignee: **Imotani Industry Co., Ltd., Osaka, Japan**

[\*\*] Term: **14 Years**

[21] Appl. No.: **40,922**

[22] Filed: **Jun. 27, 1995**

[30] **Foreign Application Priority Data**

Dec. 27, 1994 [JP] Japan ..... 6-40315

[52] **U.S. Cl.** ..... **D6/397; D7/605**

[58] **Field of Search** ..... D6/396, 397, 429-431; D7/605-608; D15/79, 81, 83; D34/12, 19, 24, 25; 62/371, 457.1, 457.7; 206/541, 545; 280/43.1, 43.24, 651, 652, 645

[56] **References Cited**

**U.S. PATENT DOCUMENTS**

- D. 323,252 1/1992 Anske ..... D6/397
- D. 328,689 8/1992 Riskowski ..... D7/605
- D. 340,620 10/1993 Peters ..... D7/605

- D. 350,035 8/1994 Stacey ..... D6/397
- 4,893,885 1/1990 Borello ..... D6/397 X
- 5,373,708 12/1994 Dumoulin, Jr. .... 62/371 X

*Primary Examiner*—Terry A. Wallace  
*Attorney, Agent, or Firm*—Koda and Androlia

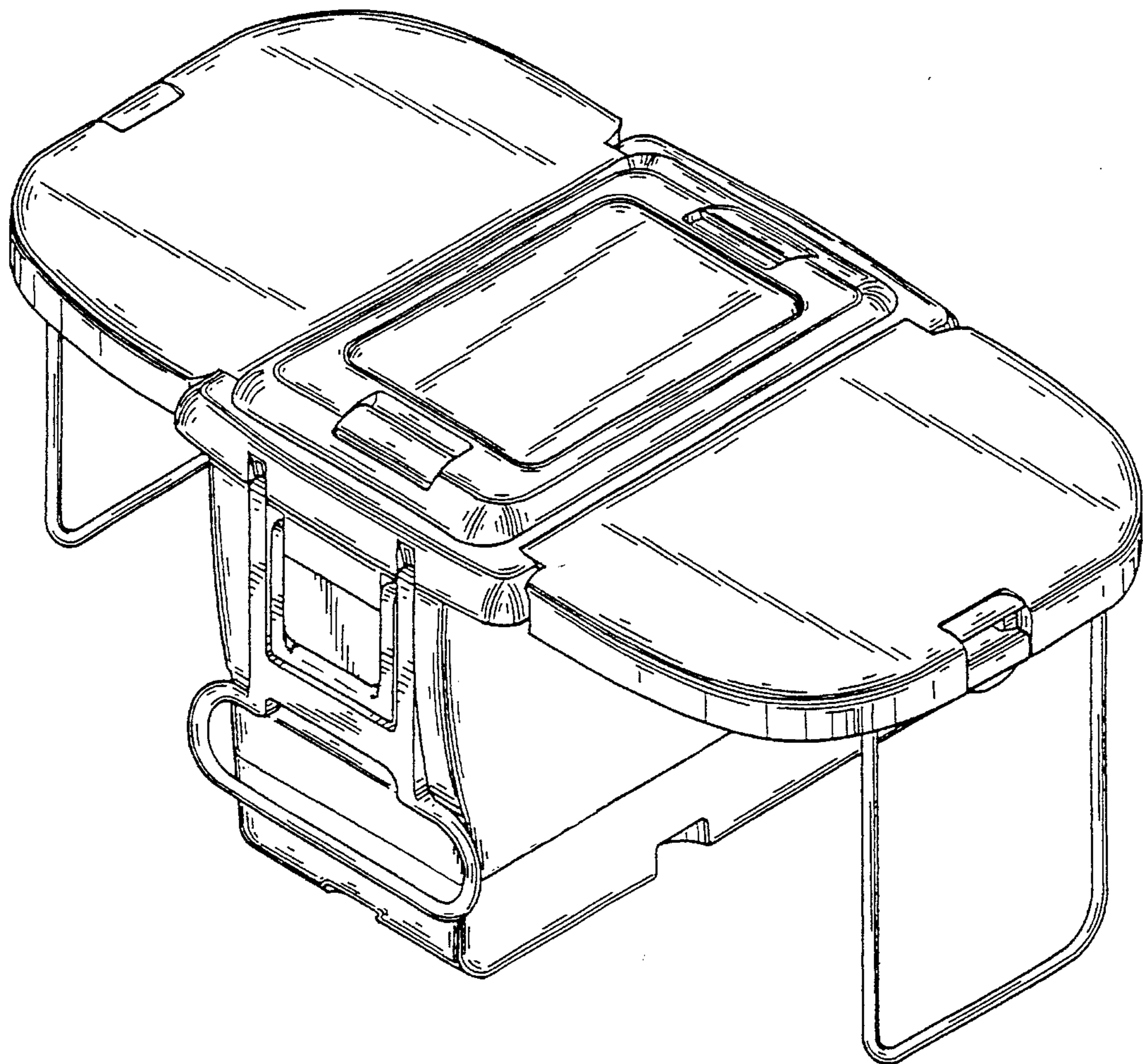
[57] **CLAIM**

The ornamental design for an ice-box with a folding table, as shown and described.

**DESCRIPTION**

FIG. 1 is a front elevational view of the ice-box with a folding table showing my new design, the rear elevational view being a mirror image to the front elevational view; FIG. 2 is a top plan view thereof; FIG. 3 is a right side elevational view thereof; FIG. 4 is a left side elevational view thereof; FIG. 5 is a bottom plan view thereof; FIG. 6 is a right side elevational view of the ice-box with the table unfolded; FIG. 7 a top plan view thereof; FIG. 8 is a front elevational view thereof; and, FIG. 9 is a perspective view thereof taken from the top, front and left sides.

**1 Claim, 7 Drawing Sheets**



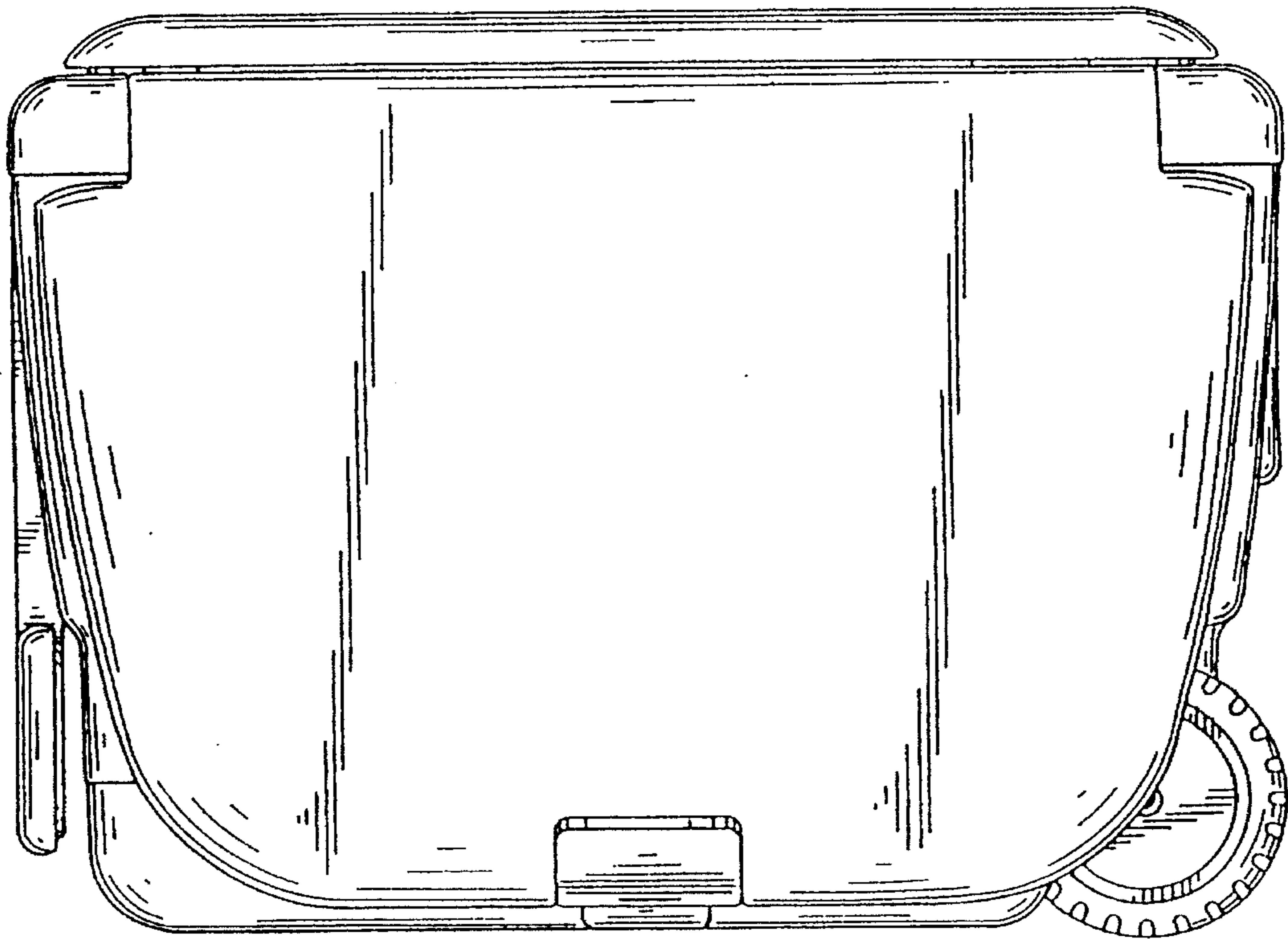


FIG. 1

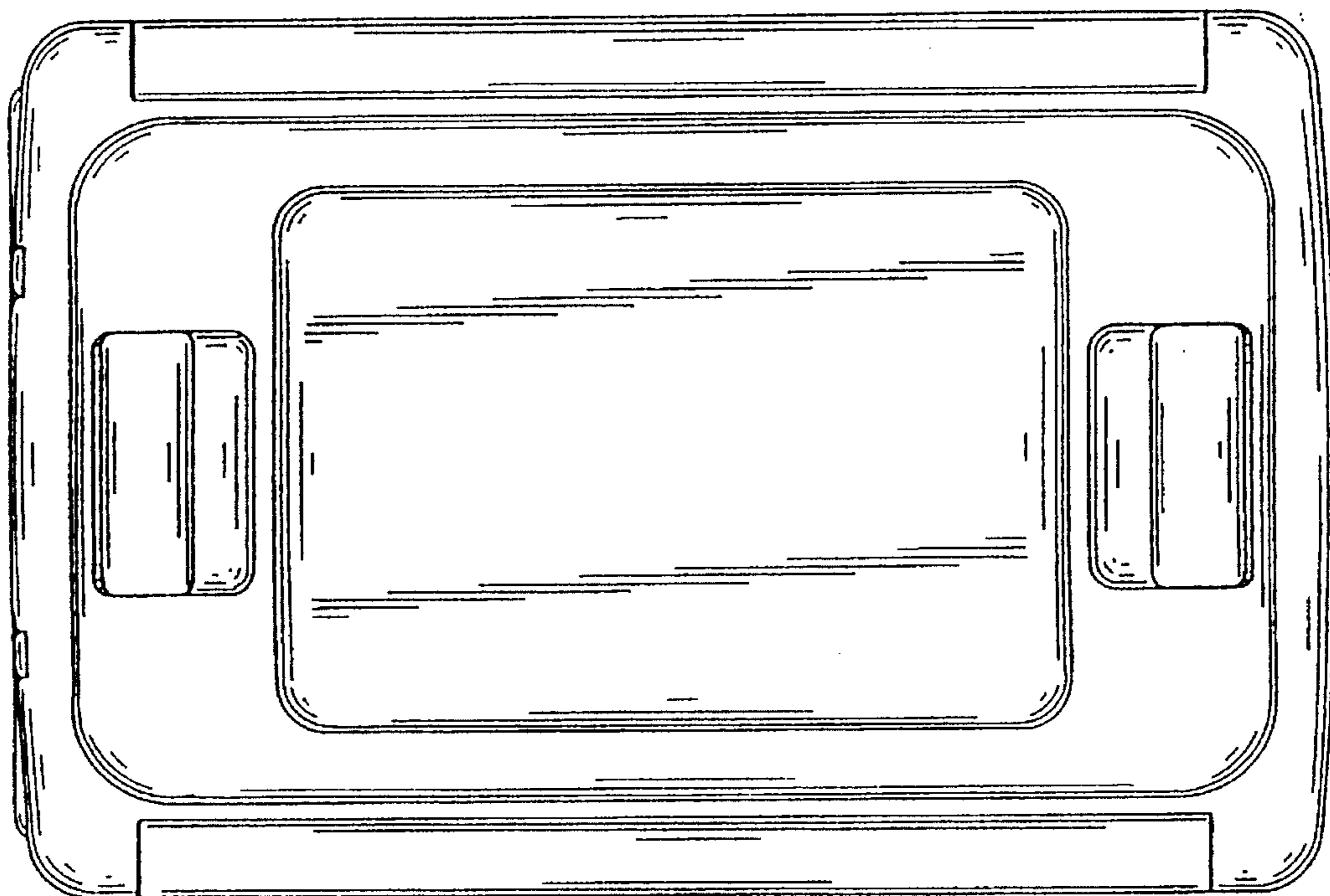


FIG. 2

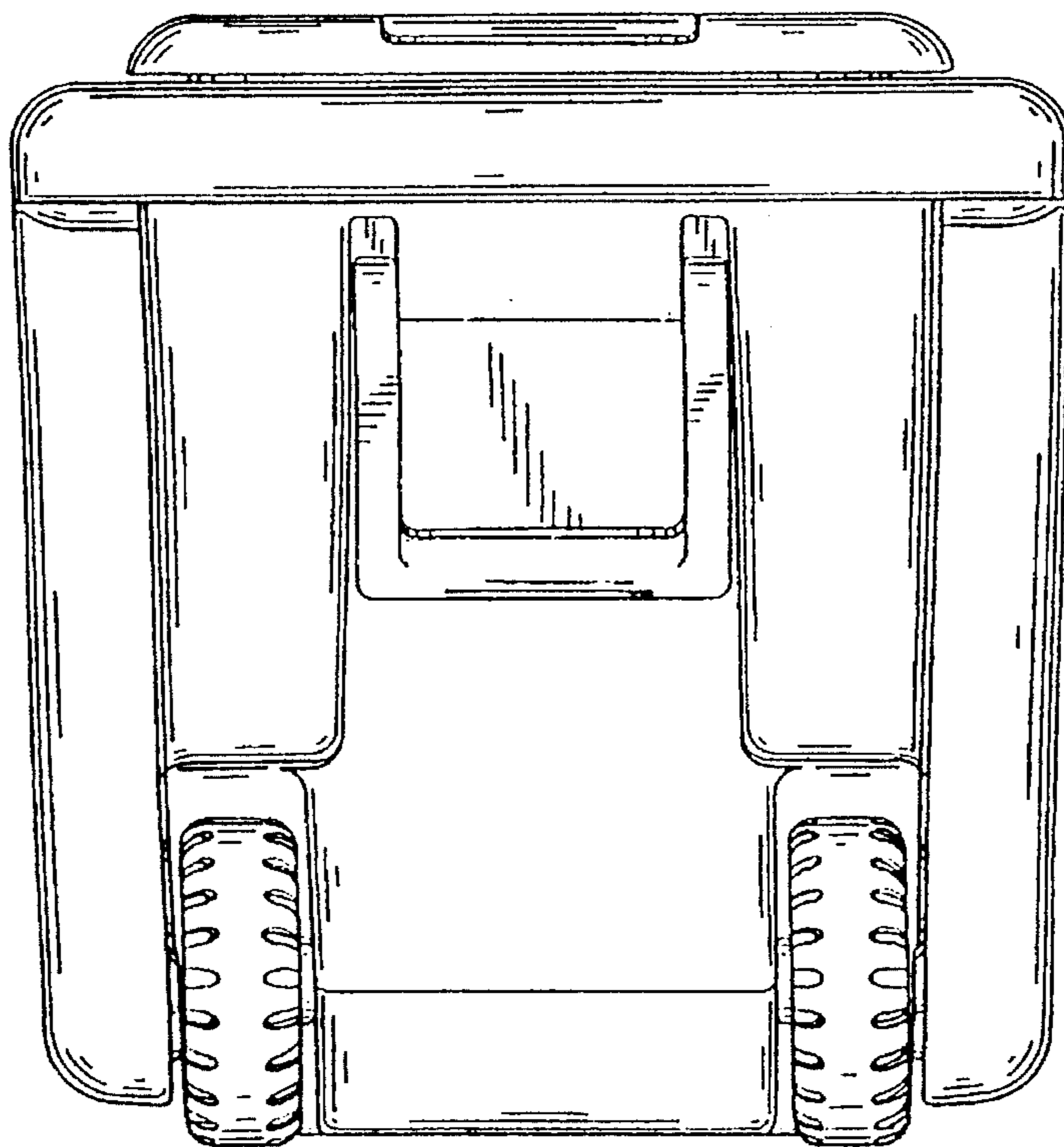


FIG. 3

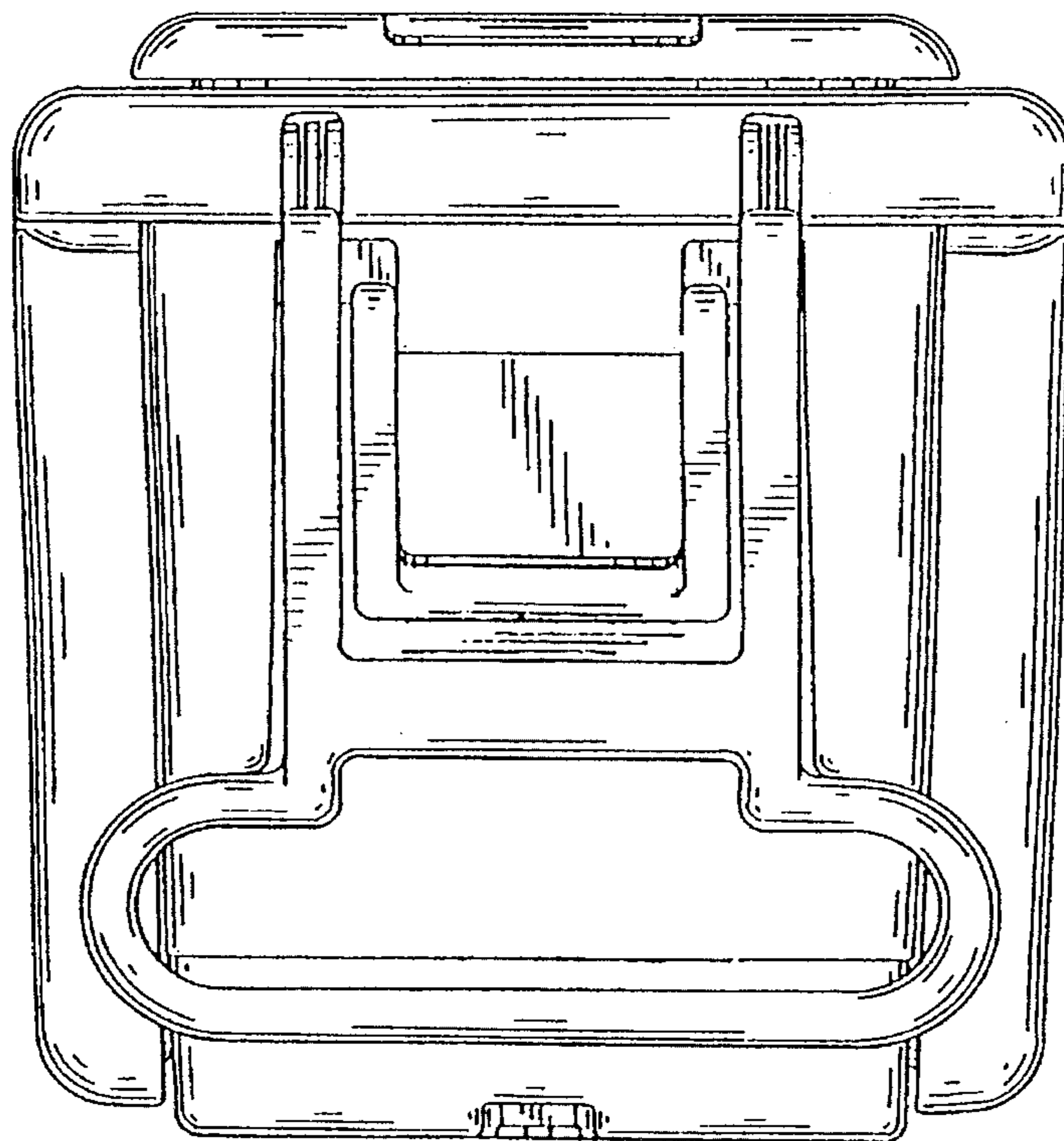


FIG. 4

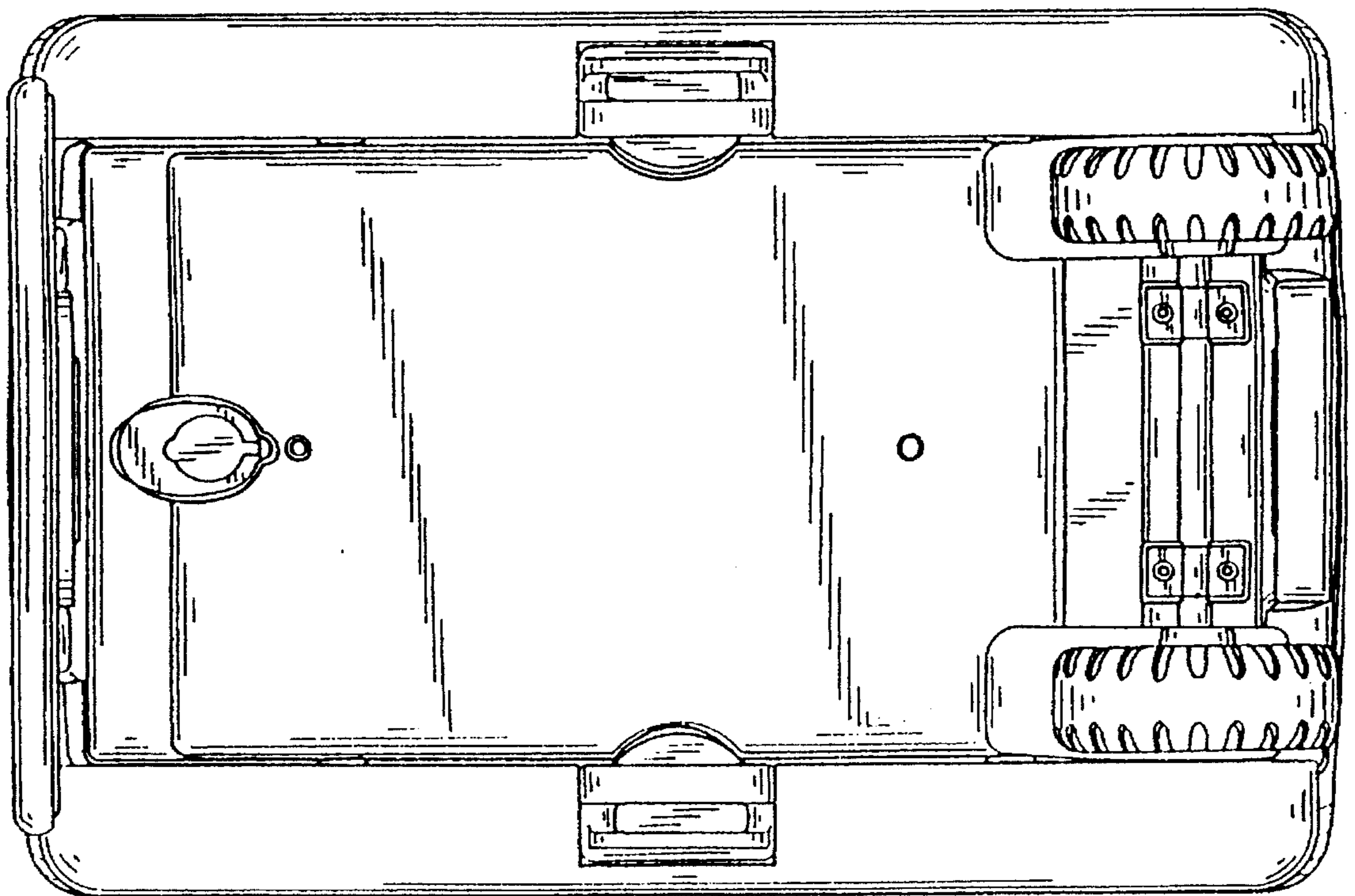


FIG.5

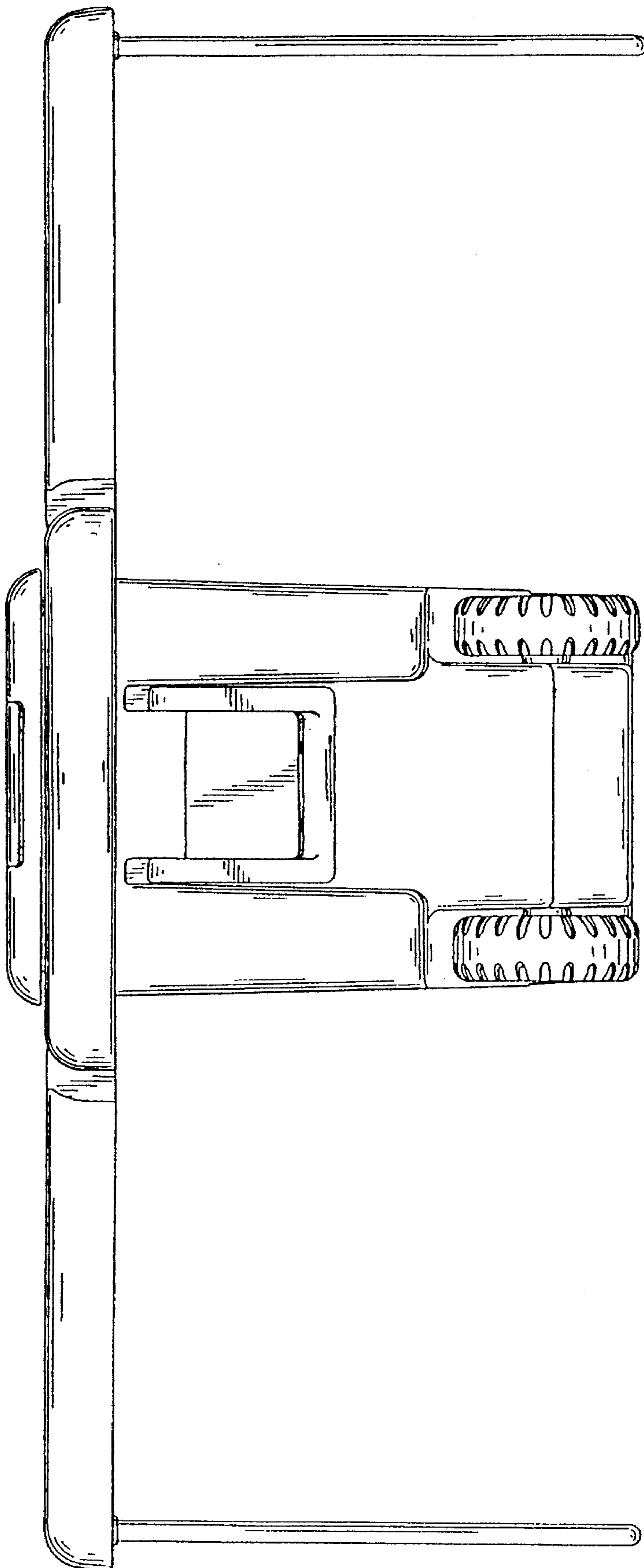


FIG.6

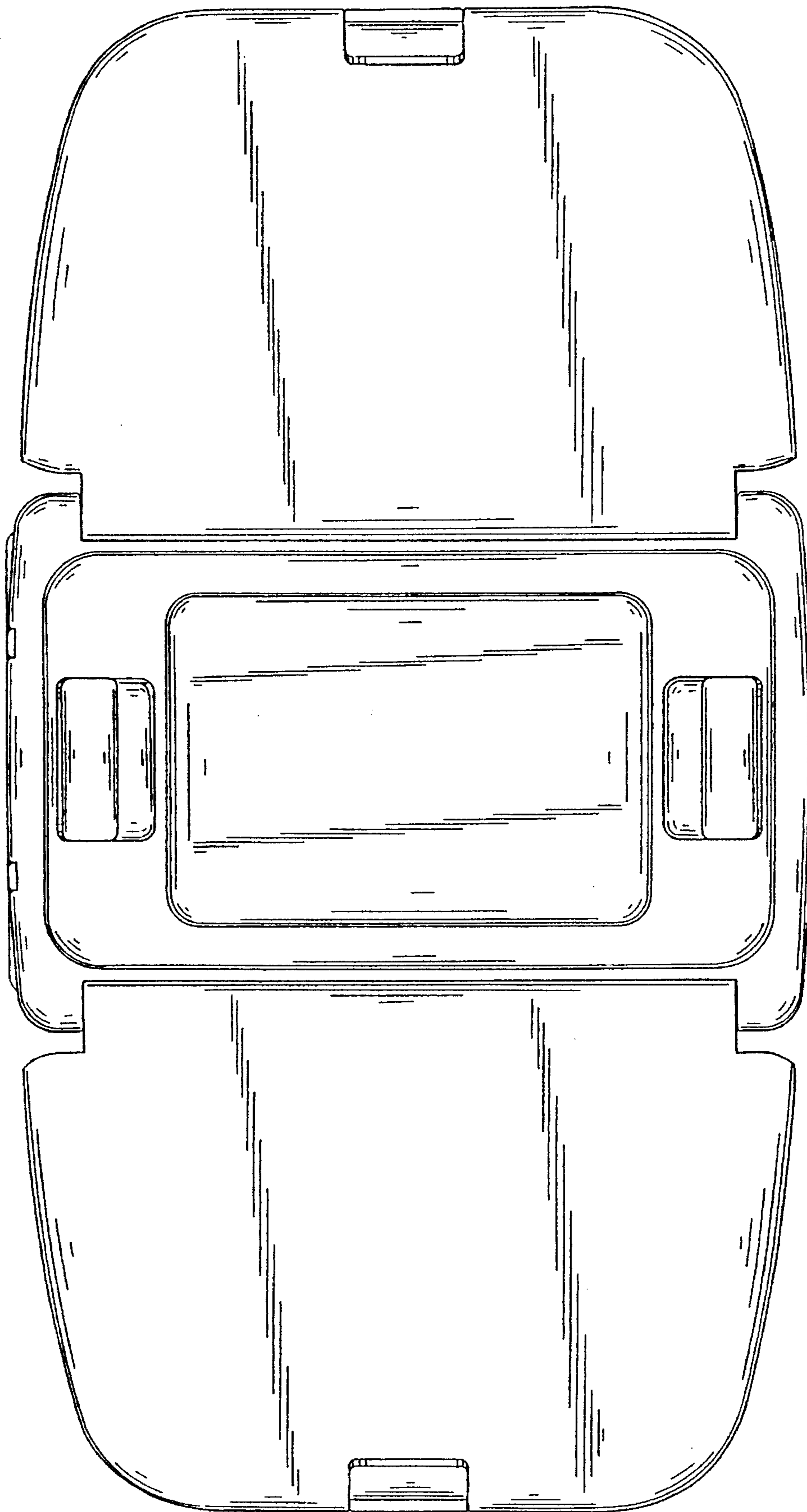


FIG.7

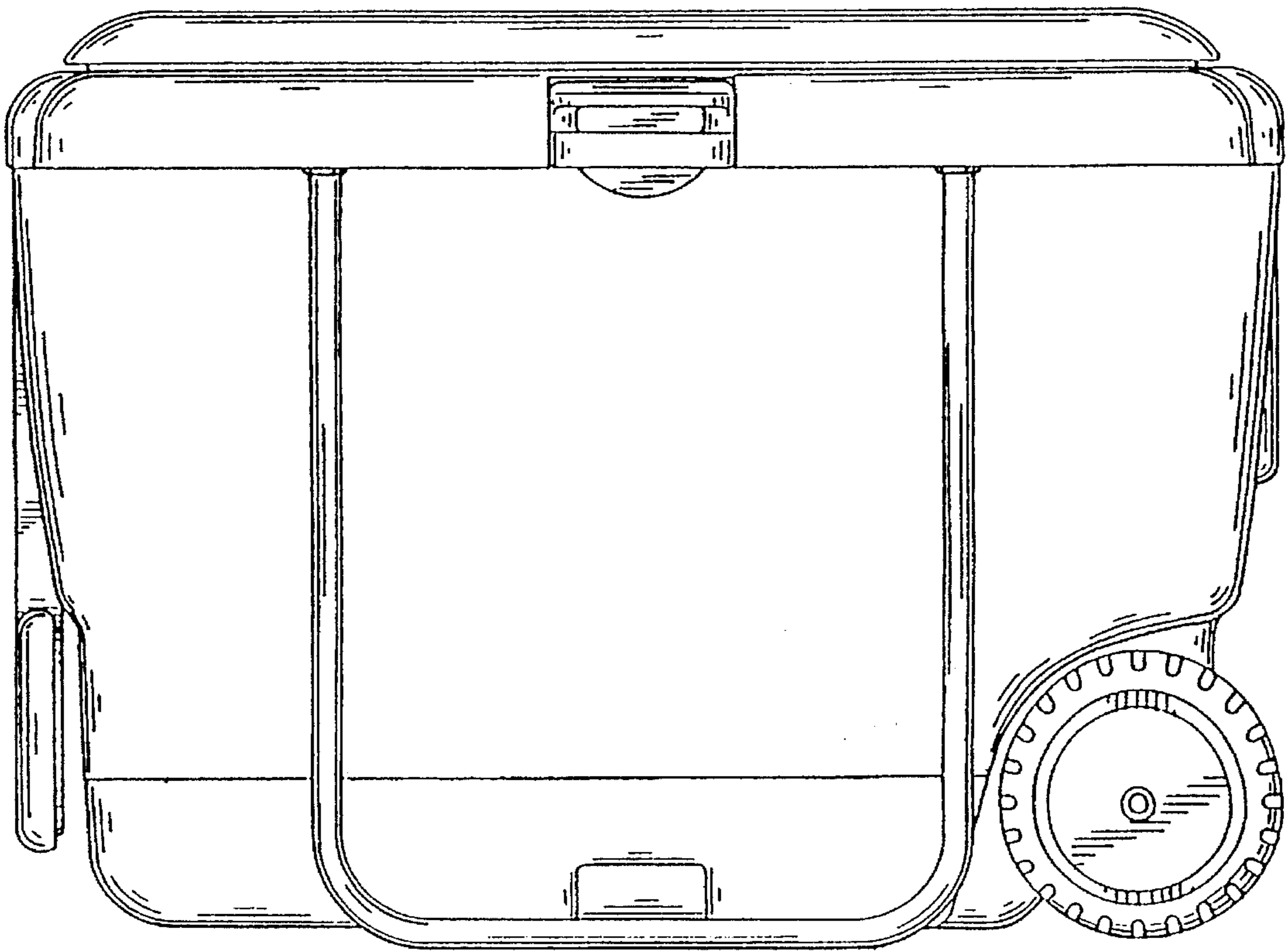


FIG.8

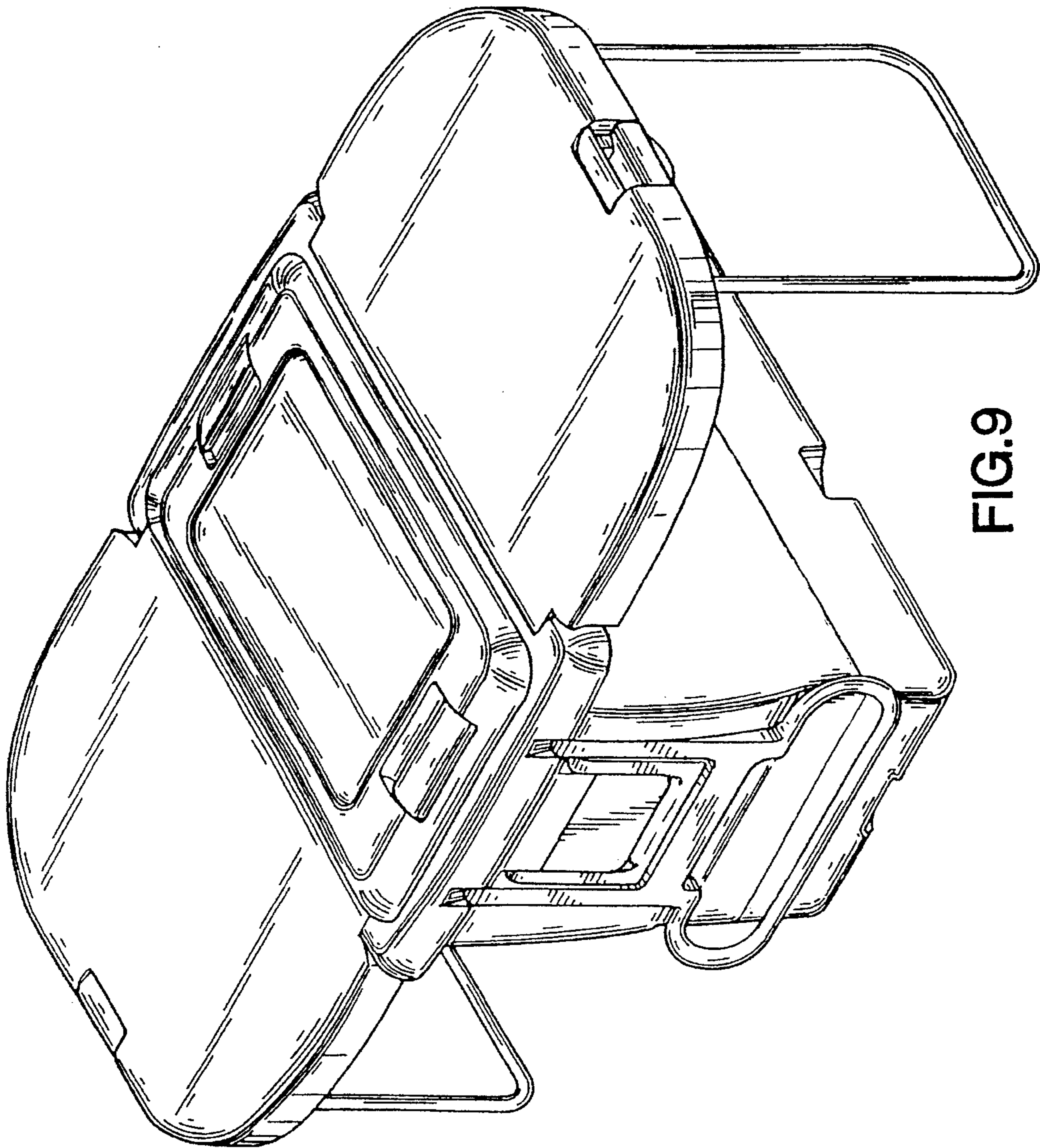


FIG.9