



US00D369694S

# United States Patent [19]

Natuzzi et al.

[11] Patent Number: **Des. 369,694**

[45] Date of Patent: **\*\*May 14, 1996**

[54] SEAT

[75] Inventors: **Pasquale Natuzzi**, Santeramo In Colle;  
**Arcangelo Scarati**, Talsano, both of Italy

[73] Assignee: **Industrie Natuzzi S.p.A.**, Bari, Italy

[\*\*] Term: **14 Years**

[21] Appl. No.: **35,942**

[22] Filed: **Mar. 6, 1995**

[52] U.S. Cl. .... **D6/381**; D6/334

[58] Field of Search ..... D6/334, 335, 336,  
D6/364, 371, 373, 381, 500, 501, 502;  
297/232, 445, 446

## [56] References Cited

### U.S. PATENT DOCUMENTS

D. 246,143 10/1977 Nash ..... D6/381  
D. 284,145 6/1986 Staats et al. .... D6/381

### OTHER PUBLICATIONS

Natuzzi Model 164, Nov. 1986 at International Home Furnishings Market in High Point, North Carolina.  
Natuzzi Model 166, Nov. 1986 at International Home Furnishings Market in High Point, North Carolina.  
Natuzzi Model 462, Oct. 1988 at International Home Furnishings Market in High Point, North Carolina.  
Natuzzi Model 938, Apr. 1922 at International Home Furnishings Market in High Point, North Carolina.  
Natuzzi Model 1027, Mar. 1993 at International Home Furnishings Market in High Point, North Carolina.  
Natuzzi Model 1035, Mar. 1993 at International Home Furnishings Market in High Point, North Carolina.  
Natuzzi Model 1062, Sep. 1993 at International Home Furnishings Market in High Point, North Carolina.

Natuzzi Model 1089, Sep. 1993 at International Home Furnishings Market in High Point, North Carolina.  
Natuzzi Model 1110, Jan. 1994 at International Home Furnishings Market in High Point, North Carolina.  
Natuzzi Model 1112, Jan. 1994 at International Home Furnishings Market in High Point, North Carolina.  
Natuzzi Model 1182, Sep. 1993 at International Home Furnishings Market in High Point, North Carolina.  
Schweiger, No. 02281 Sofa, Chair & Love Seat shown. Domos, Jan. 1982, p. 5, sofa at top.  
Abitare Supplement, May 1982, p. 14, Sofa, Chair & Love Seat shown.

*Primary Examiner*—Gary D. Watson

*Attorney, Agent, or Firm*—Bell, Seltzer, Park & Gibson

## [57] CLAIM

The ornamental design for a seat, as shown and described.

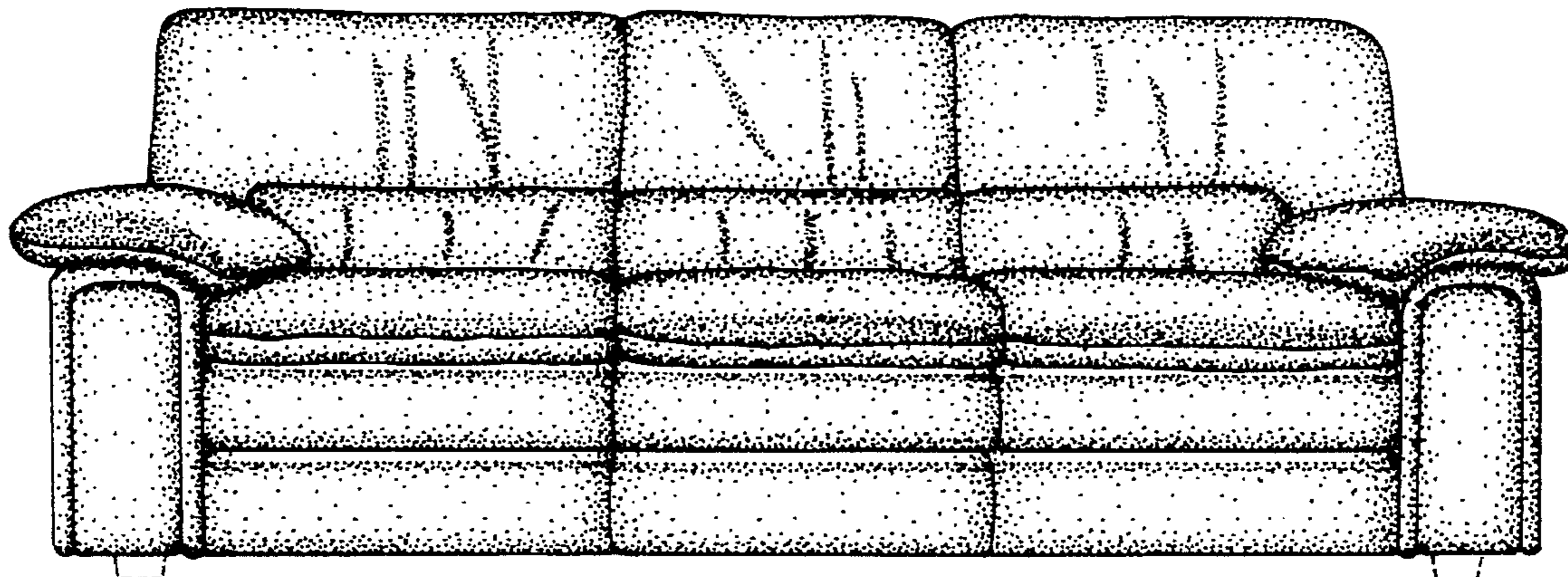
### DESCRIPTION

FIG. 1 is a side perspective view showing our new seat design in the form of a sofa;  
FIG. 2 is a front perspective view thereof;  
FIG. 3 is a side view;  
FIG. 4 is a rear perspective view;  
FIG. 5 is a top perspective view;  
FIG. 6 is a side perspective view showing our new seat design in the form of a loveseat;  
FIG. 7 is a front perspective view;  
FIG. 8 is a side perspective view showing our new seat design in the form of a chair; and,  
FIG. 9 is a front perspective view.

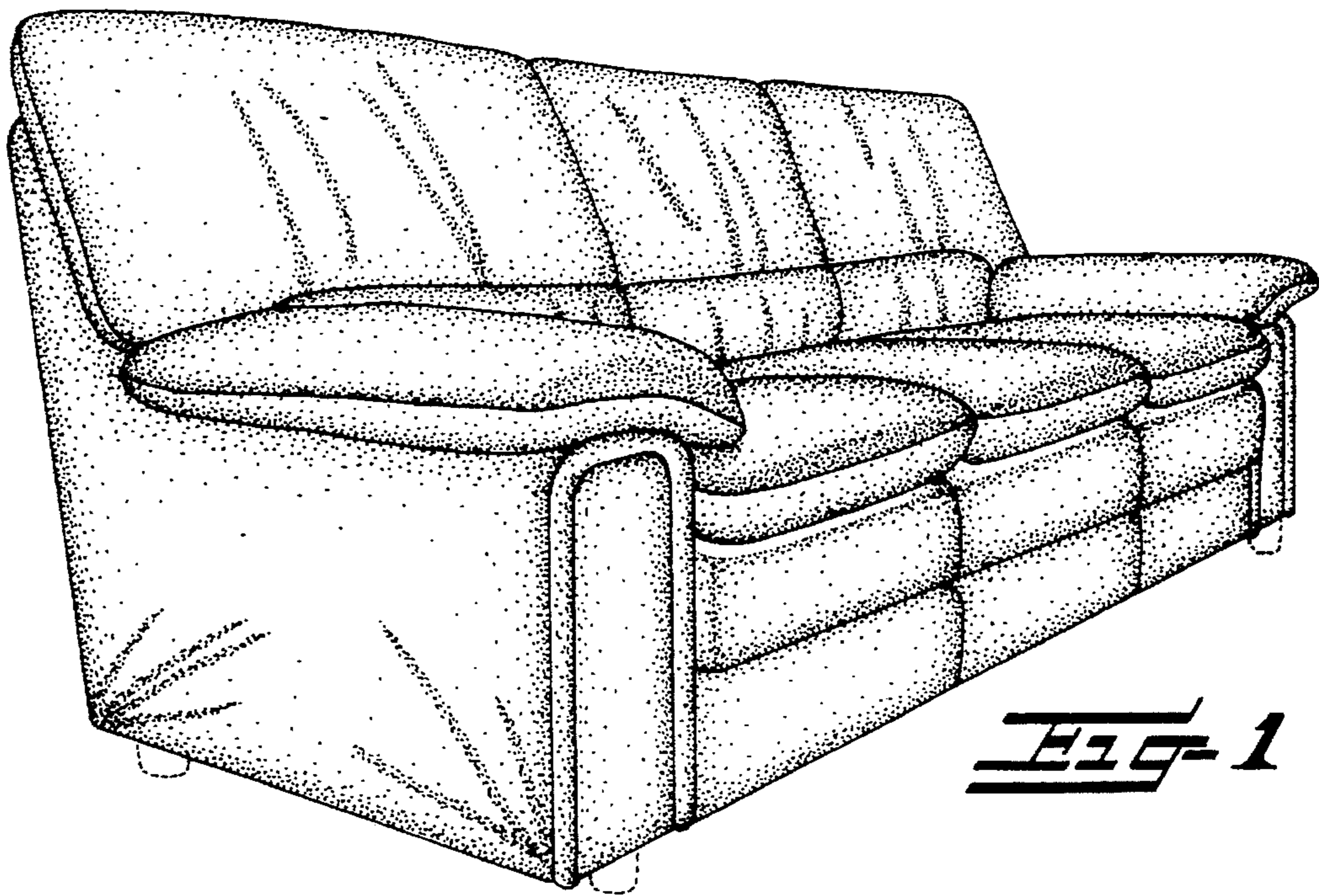
The broken line showing of leg members is for illustrative purposes only and forms no part of the claimed design.

The rear views of the love seat and chair are like FIG. 4, the difference being a matter of length.

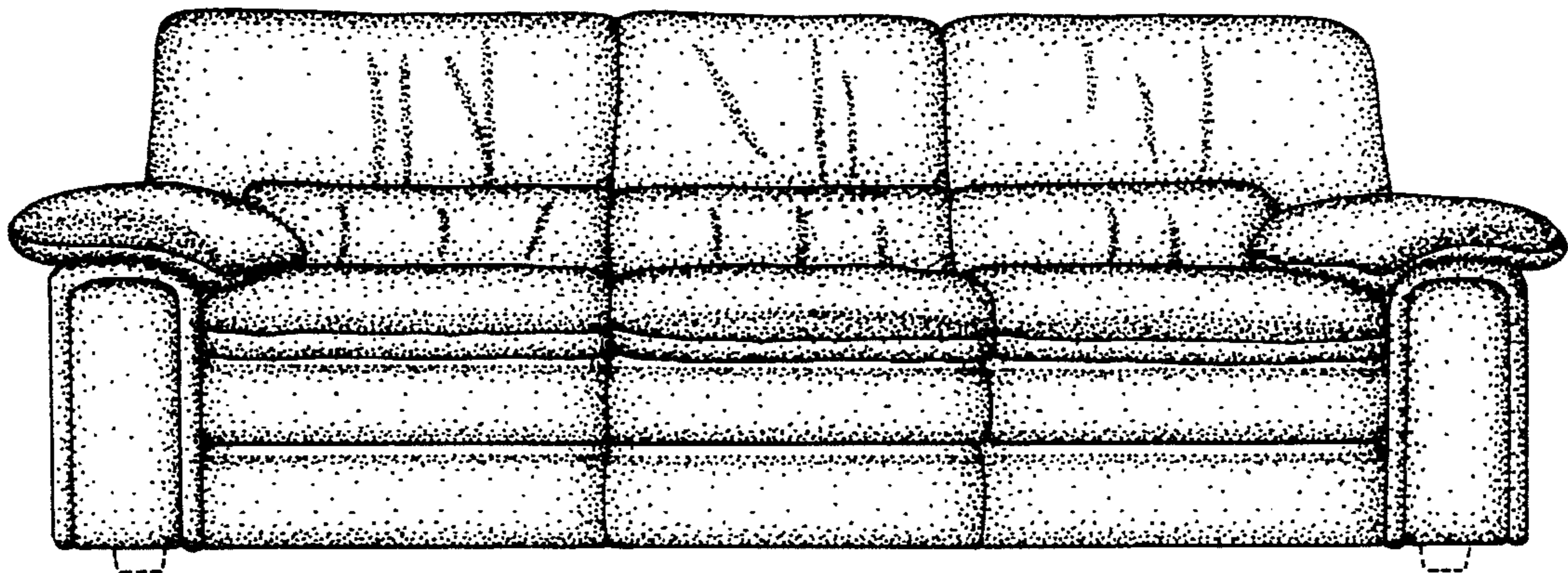
**1 Claim, 3 Drawing Sheets**



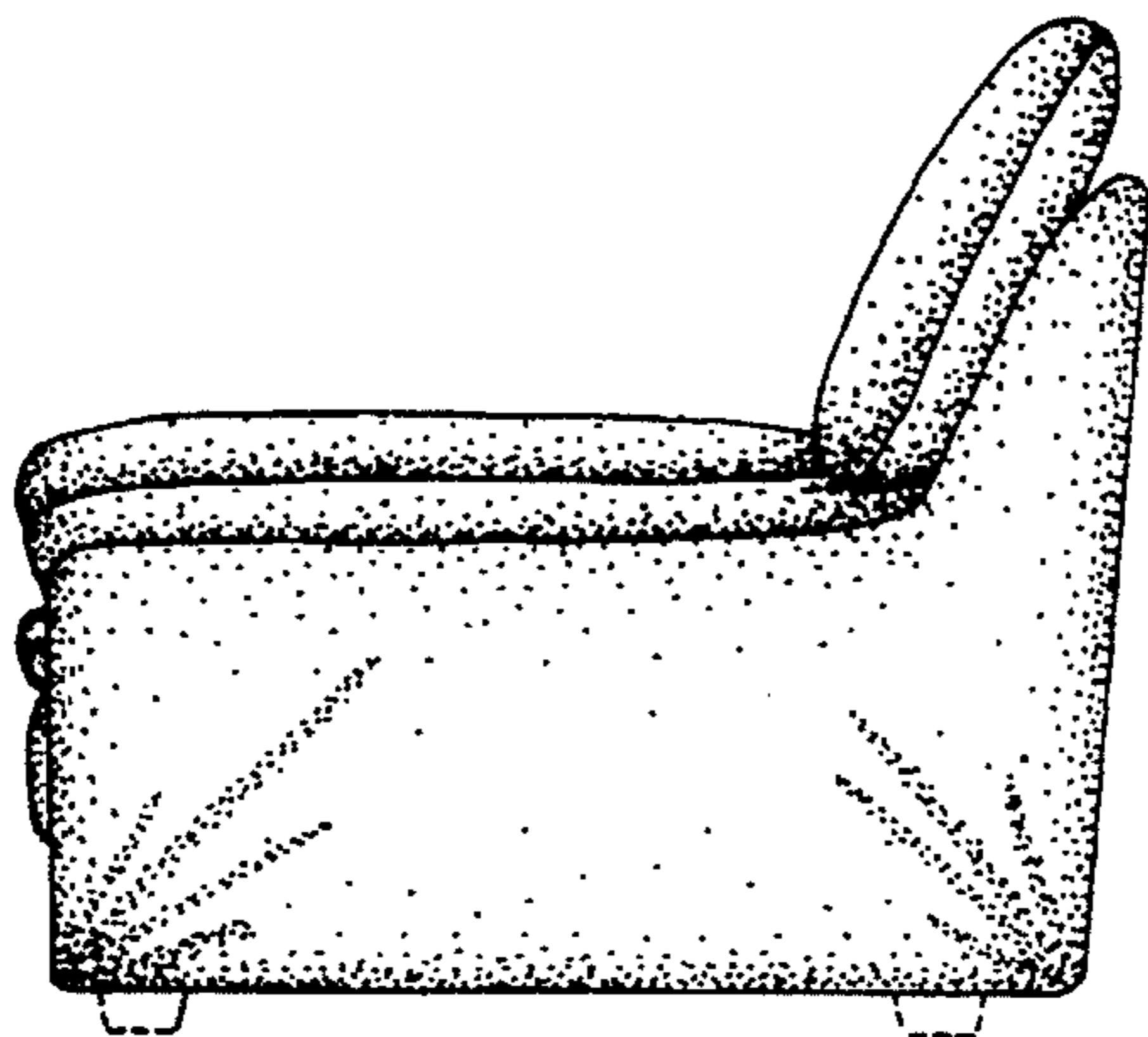




**FIG-1**

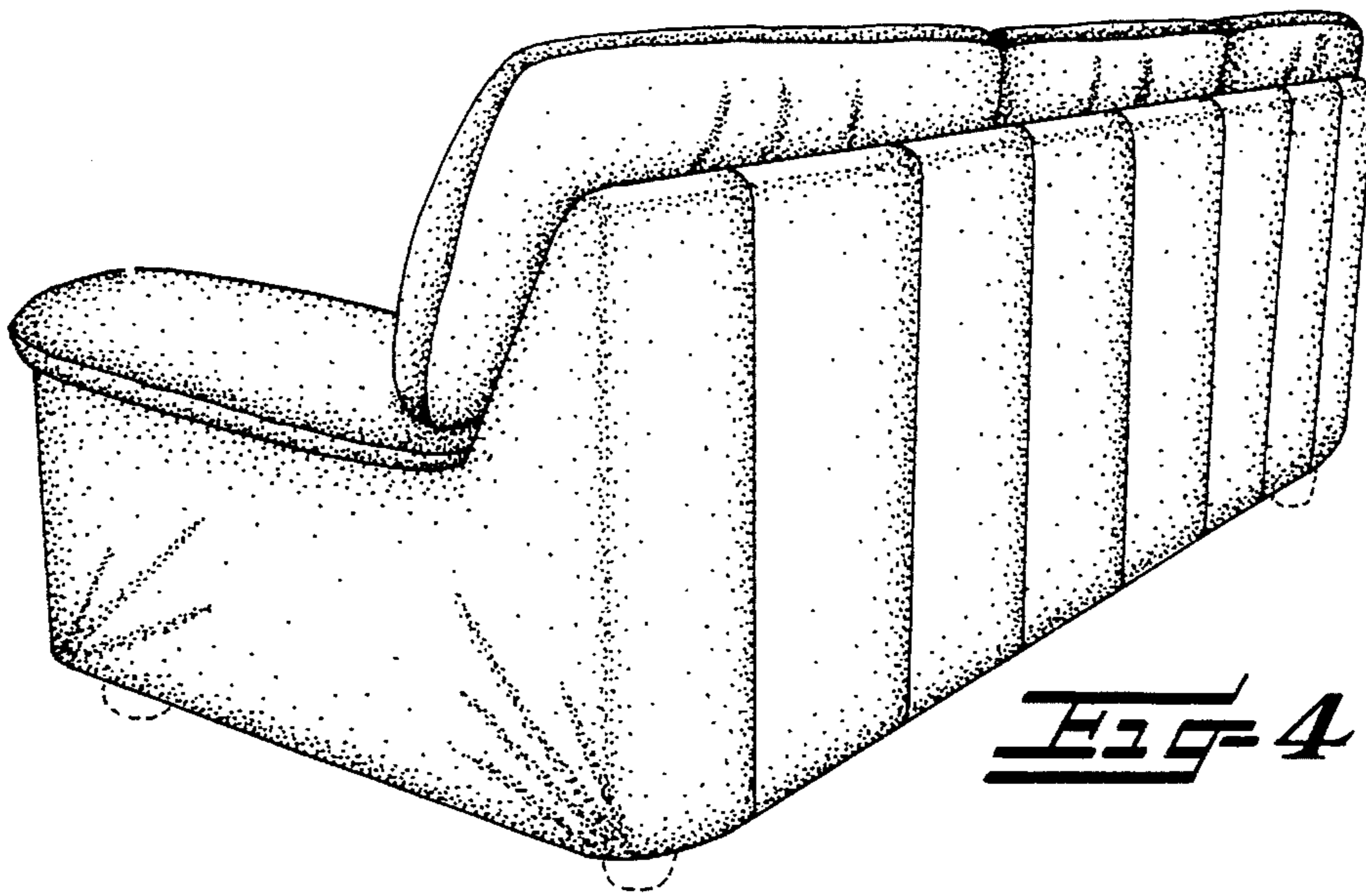


**FIG-2**

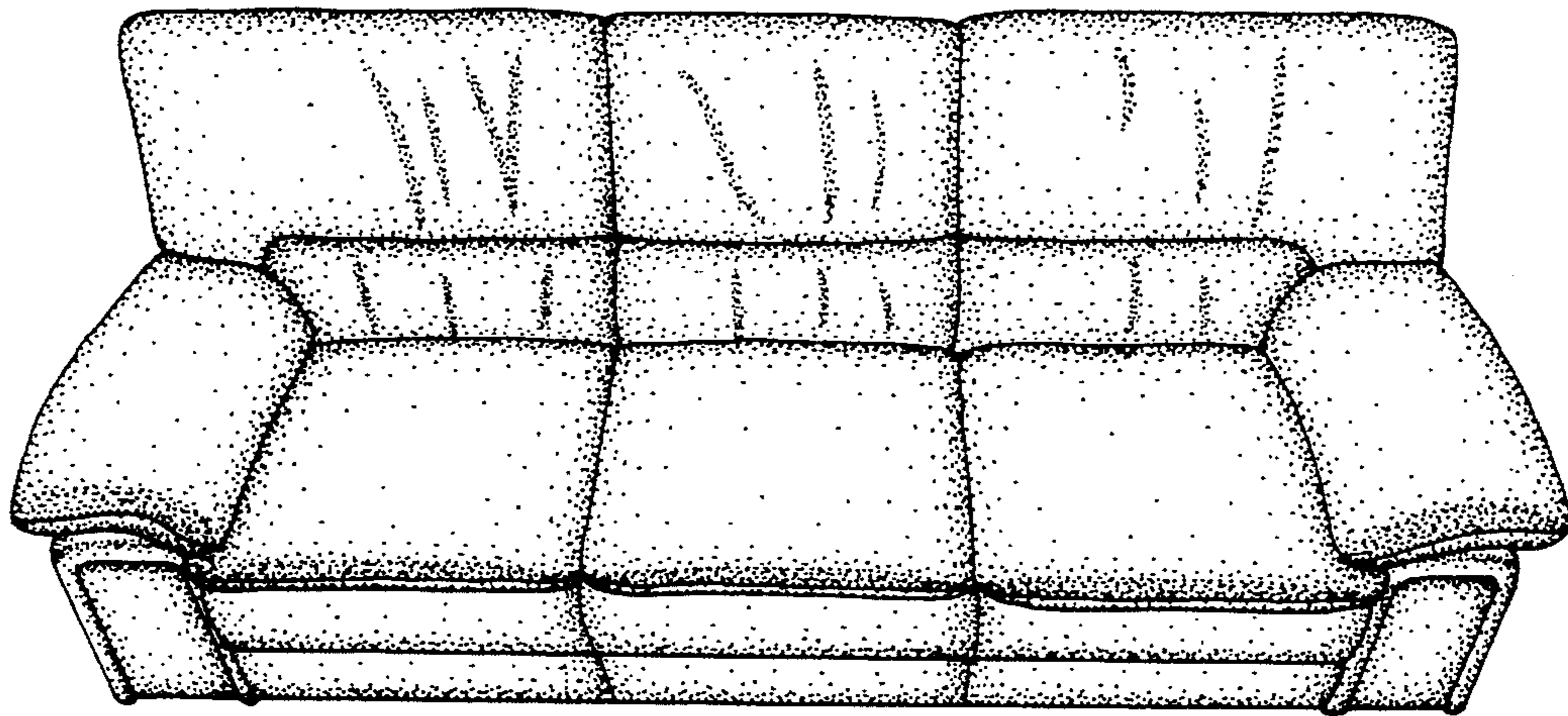


**FIG-3**

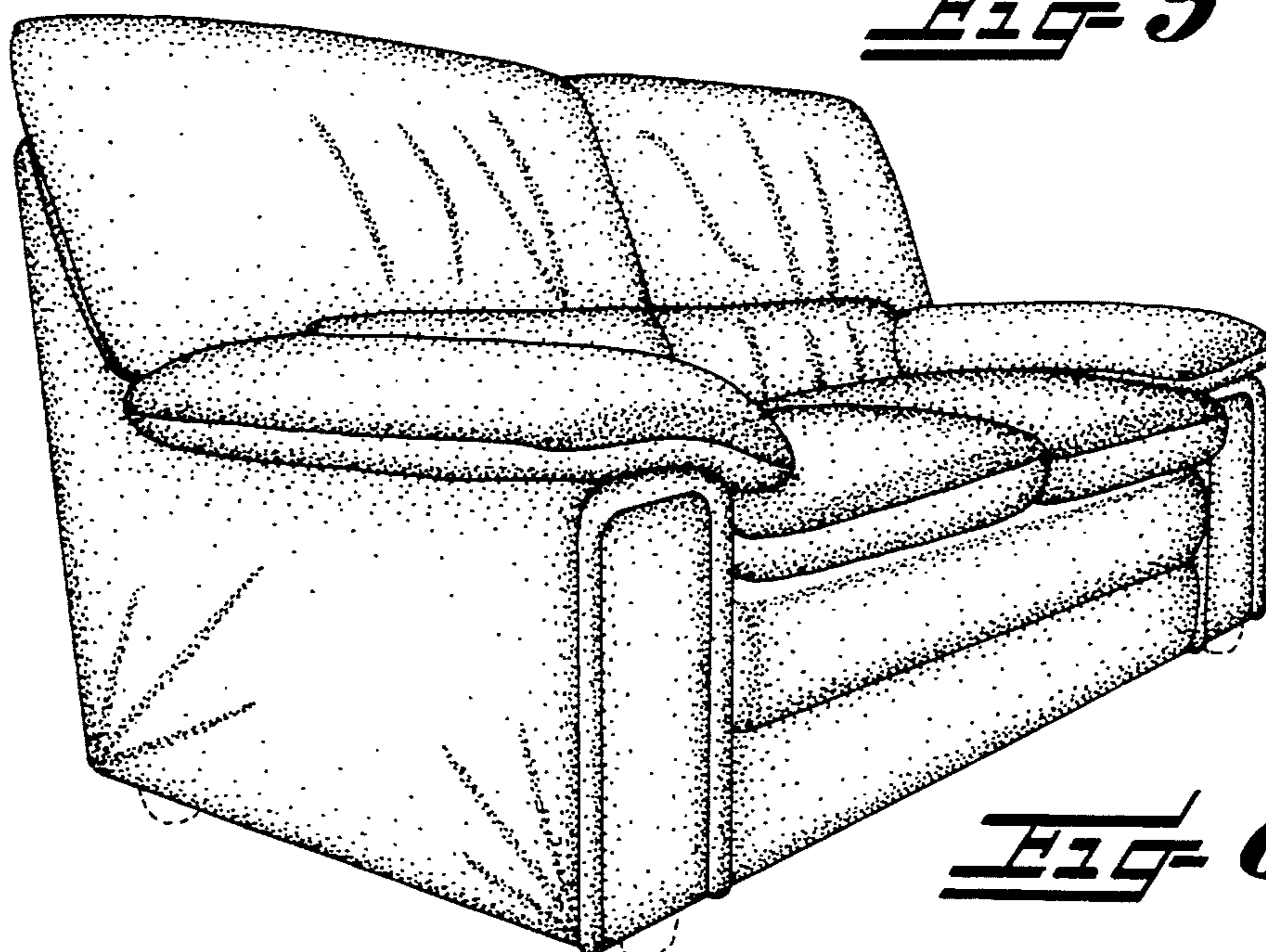




**FIG-4**



**FIG-5**

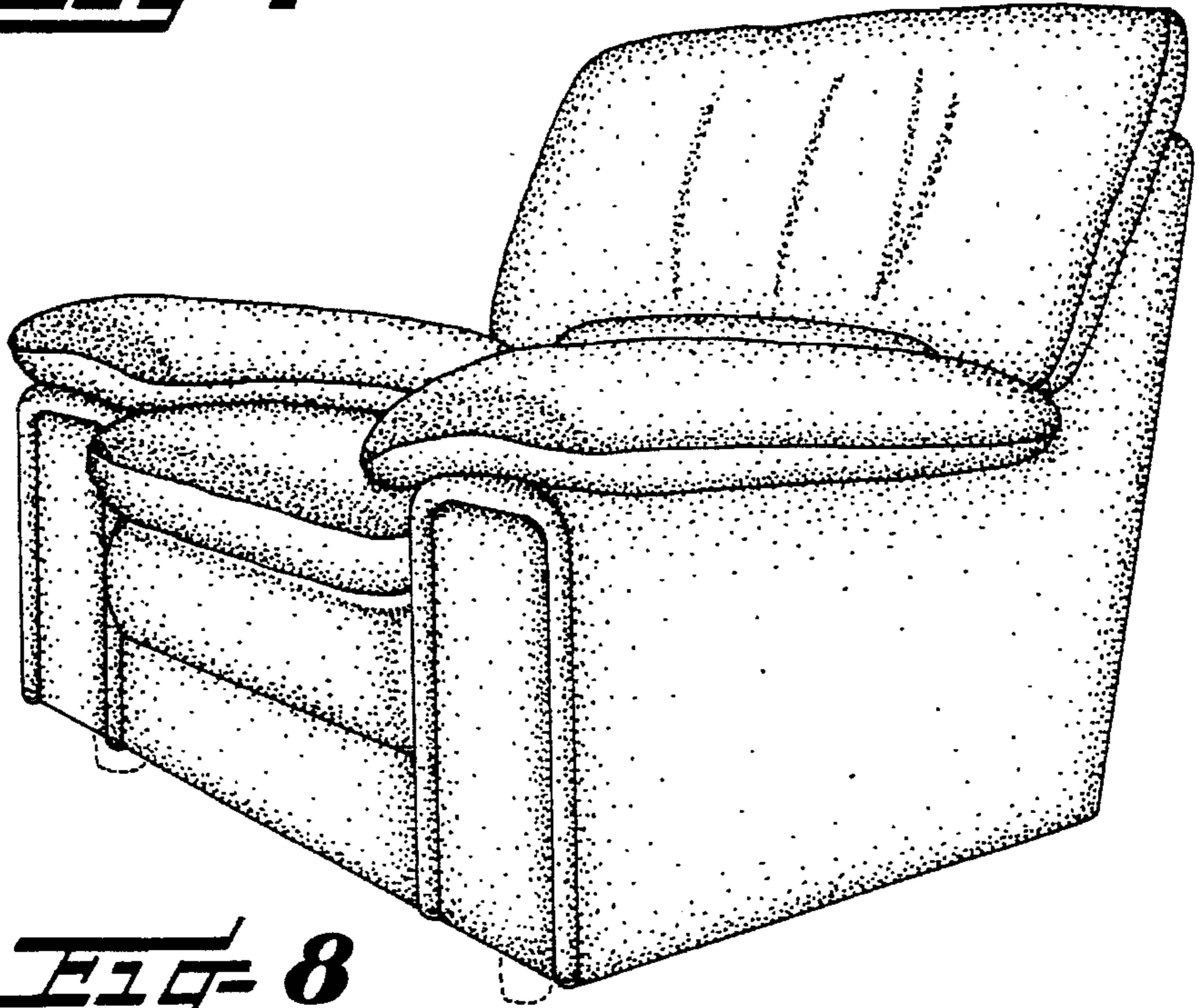


**FIG-6**

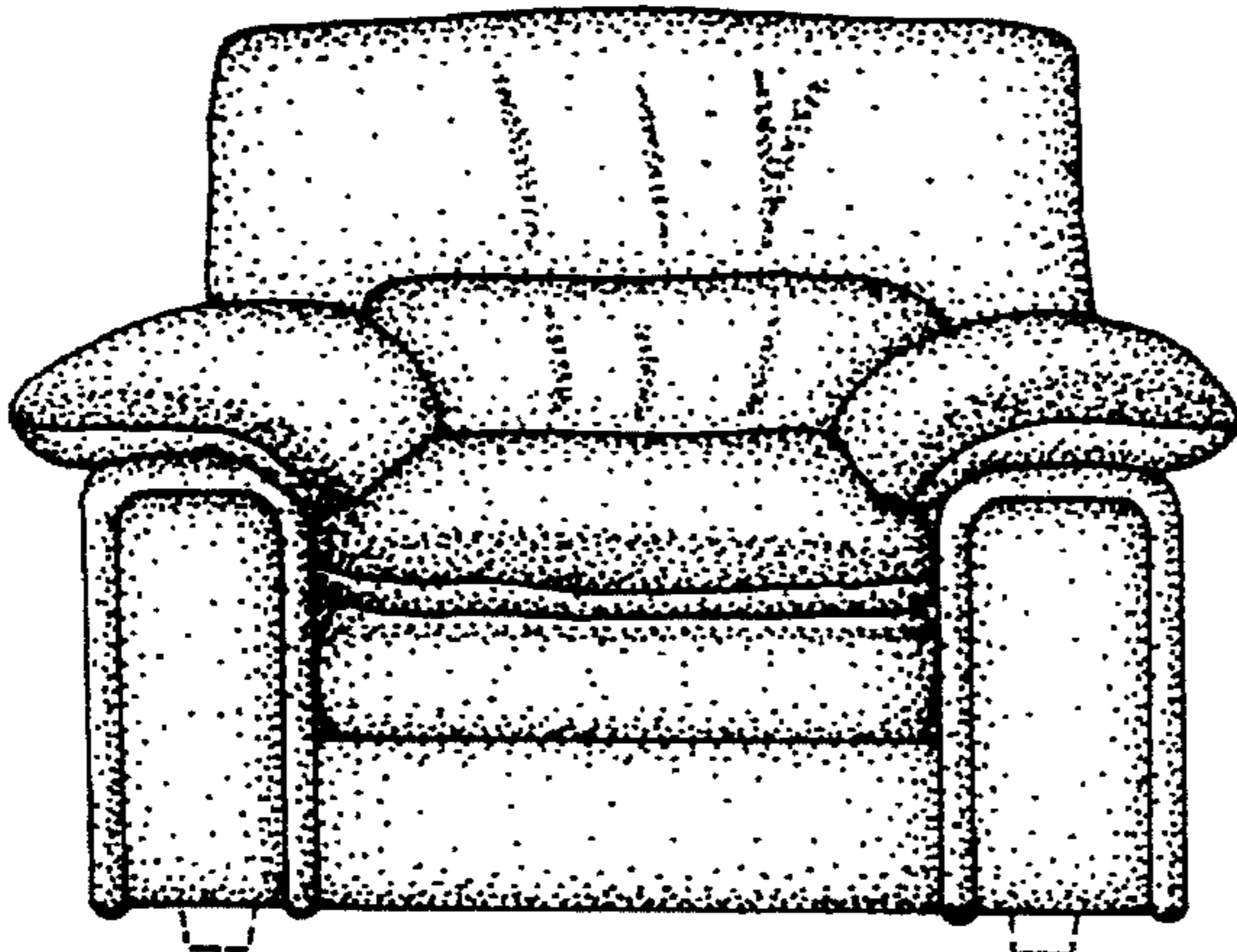




**FIG. 7**



**FIG. 8**



**FIG. 9**