



US00D369693S

United States Patent [19]

Huang

[11] Patent Number: **Des. 369,693**

[45] Date of Patent: ****May 14, 1996**

[54] **SIDE CHAIR**

[75] Inventor: **Ching-Fu Huang**, Kaohsiung Hsien, Taiwan

[73] Assignee: **Leefu Wood Products Co., Ltd.**, Kaohsiung Hsien, Taiwan

[**] Term: **14 Years**

[21] Appl. No.: **39,651**

[22] Filed: **Jun. 1, 1995**

[52] U.S. Cl. **D6/380**; D6/370

[58] Field of Search D6/334, 358, 370, D6/374, 379, 380, 500, 501, 502; 297/445.1

[56] **References Cited**

U.S. PATENT DOCUMENTS

D. 156,835	1/1950	McNeill	D6/380
D. 290,192	6/1987	Lee	D6/358
D. 349,612	8/1994	Ward	D6/370
D. 356,218	3/1995	Lee	D6/380

OTHER PUBLICATIONS

Heywood-Wakefield, Catalog #9, p. 77, chair X 779-2, second from left at top.

Bloomington's, p. 15, chair at bottom left.

Primary Examiner—Gary D. Watson

Attorney, Agent, or Firm—Morton J. Rosenberg; David I. Klein

[57] **CLAIM**

The ornamental design for a side chair, as shown and described.

DESCRIPTION

FIG. 1 is a perspective view of a side chair showing my new design;

FIG. 2 is a front elevational view thereof;

FIG. 3 is a rear elevational view thereof;

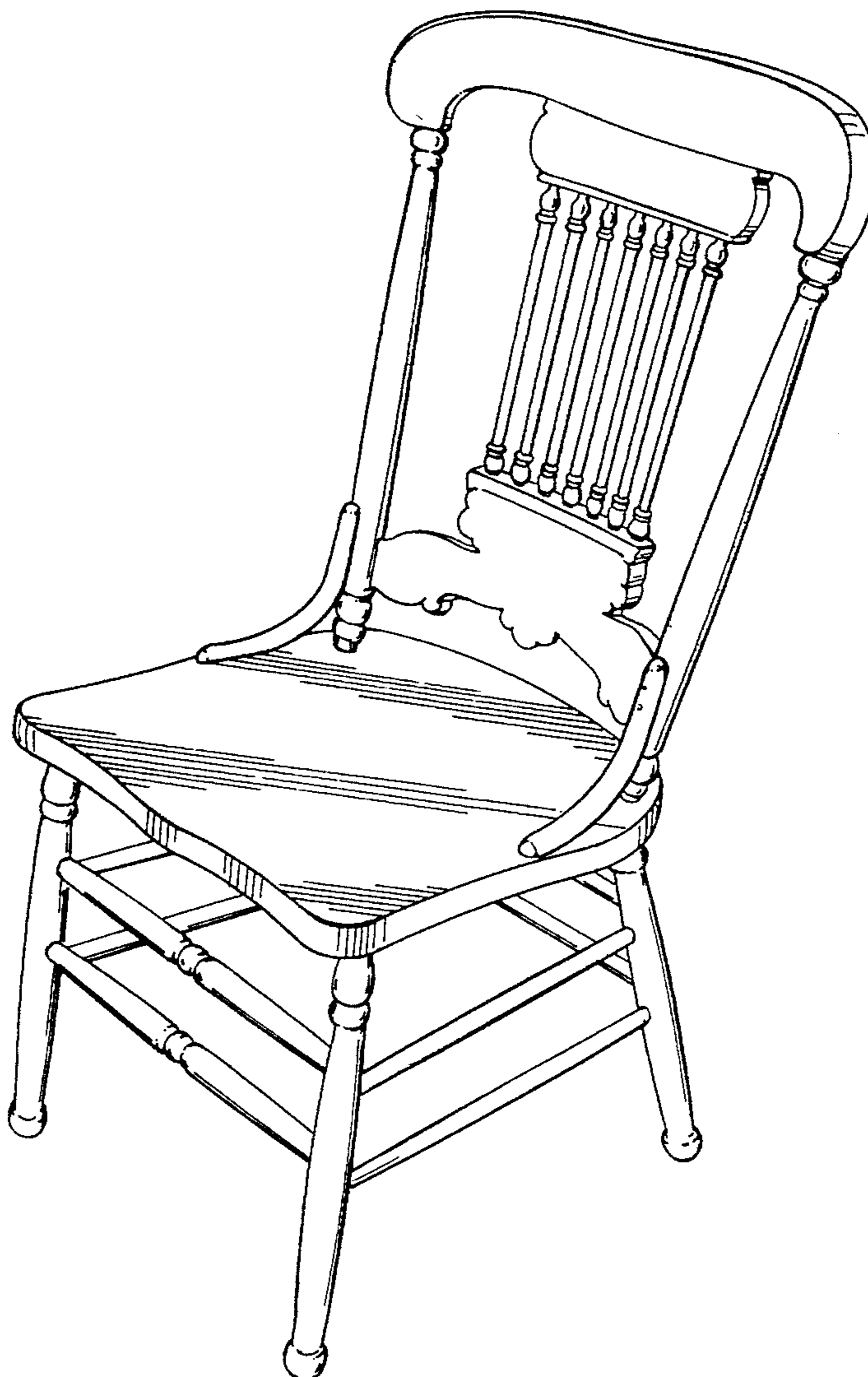
FIG. 4 is a left side elevational view thereof;

FIG. 5 is a right side elevational view thereof;

FIG. 6 is a top plan view thereof; and,

FIG. 7 is a bottom plan view thereof.

1 Claim, 4 Drawing Sheets



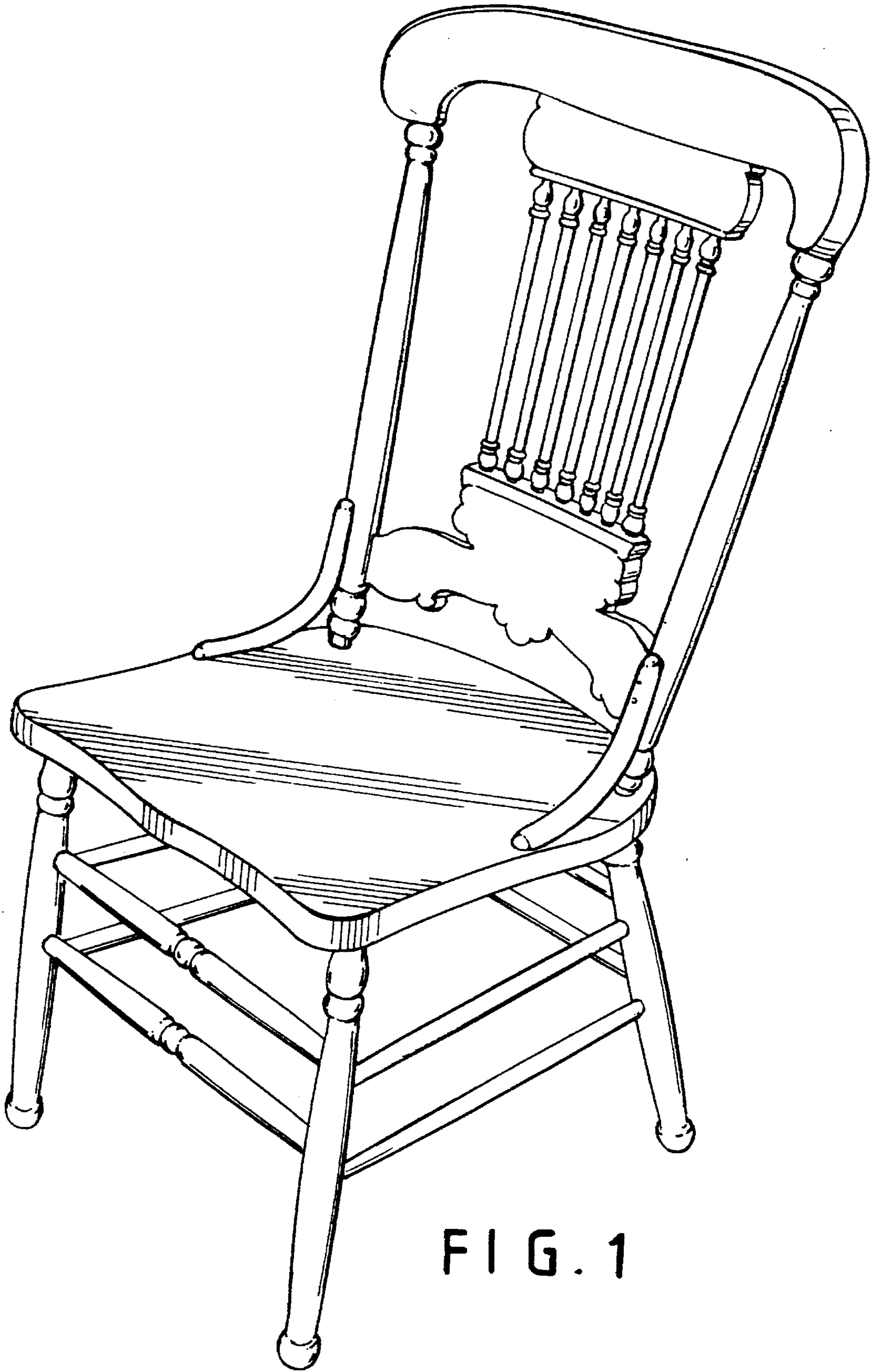


FIG. 1

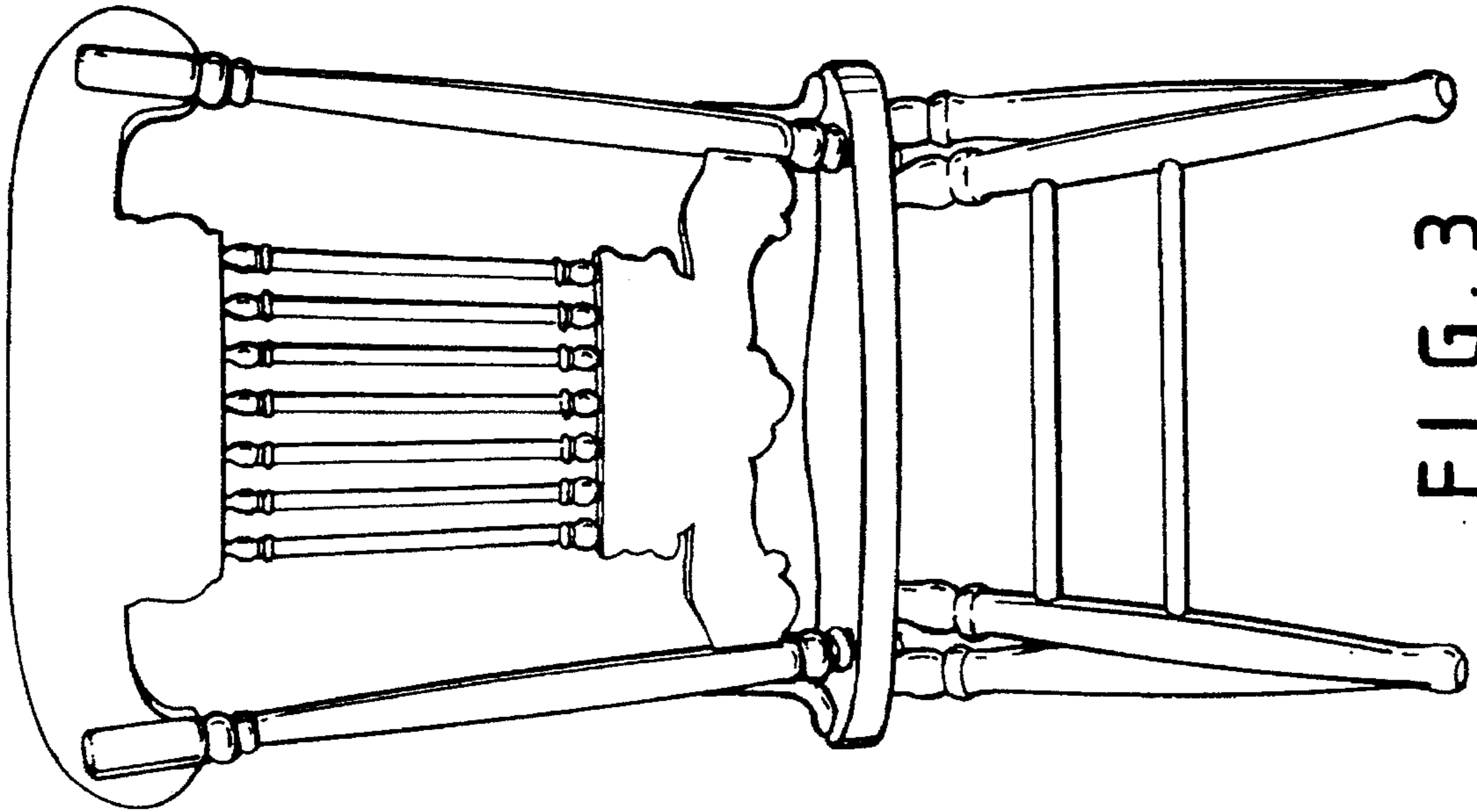


FIG. 3

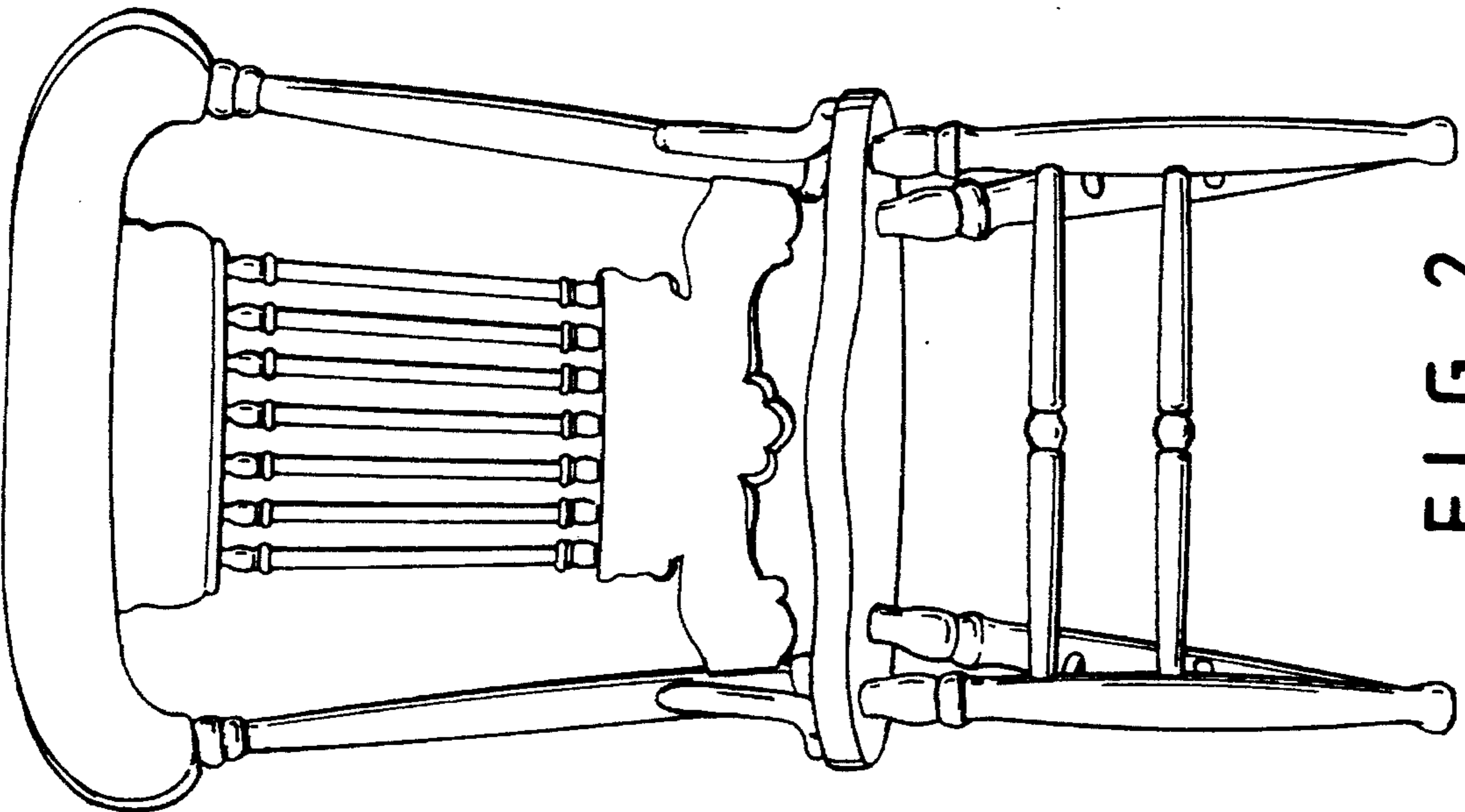


FIG. 2

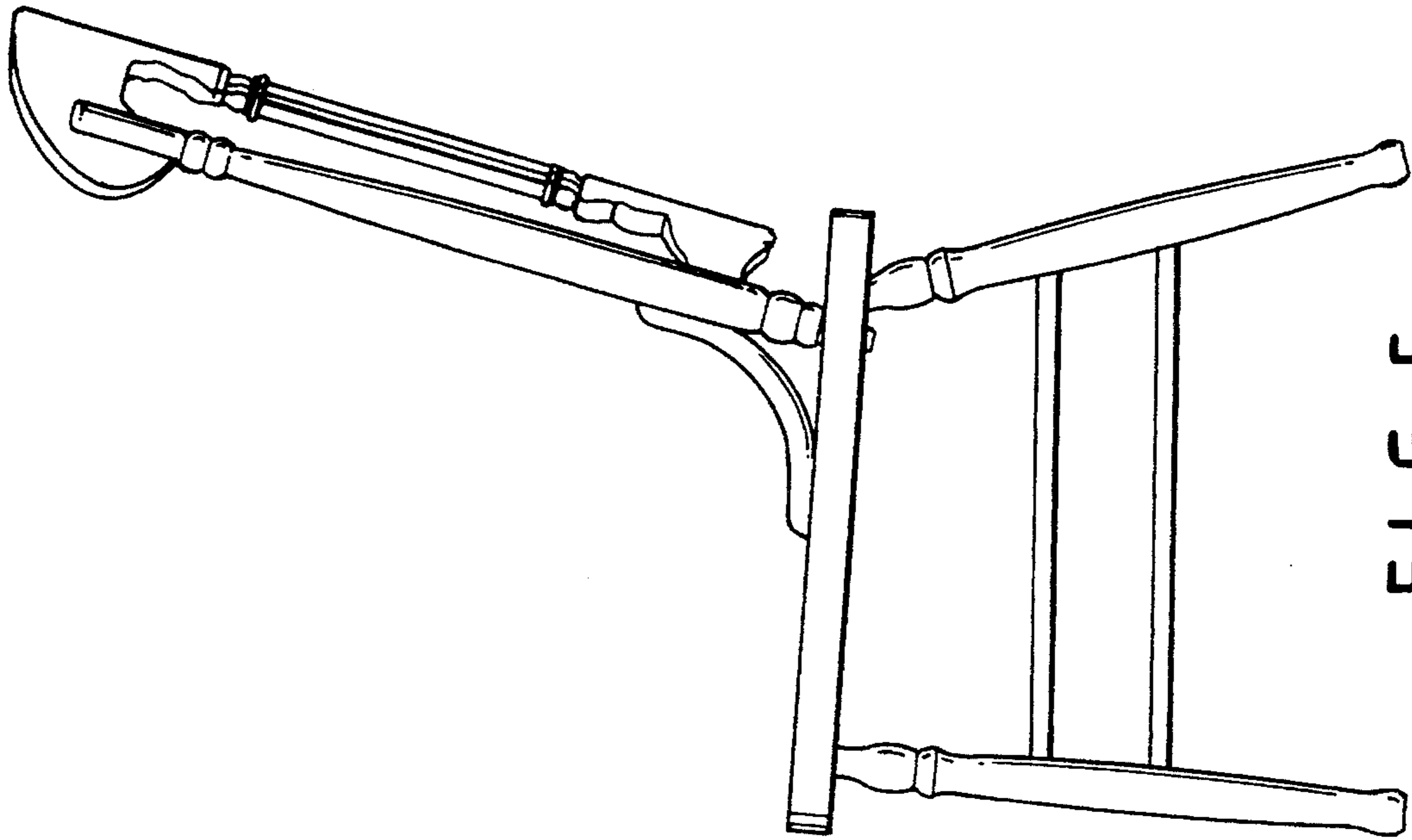


FIG. 5

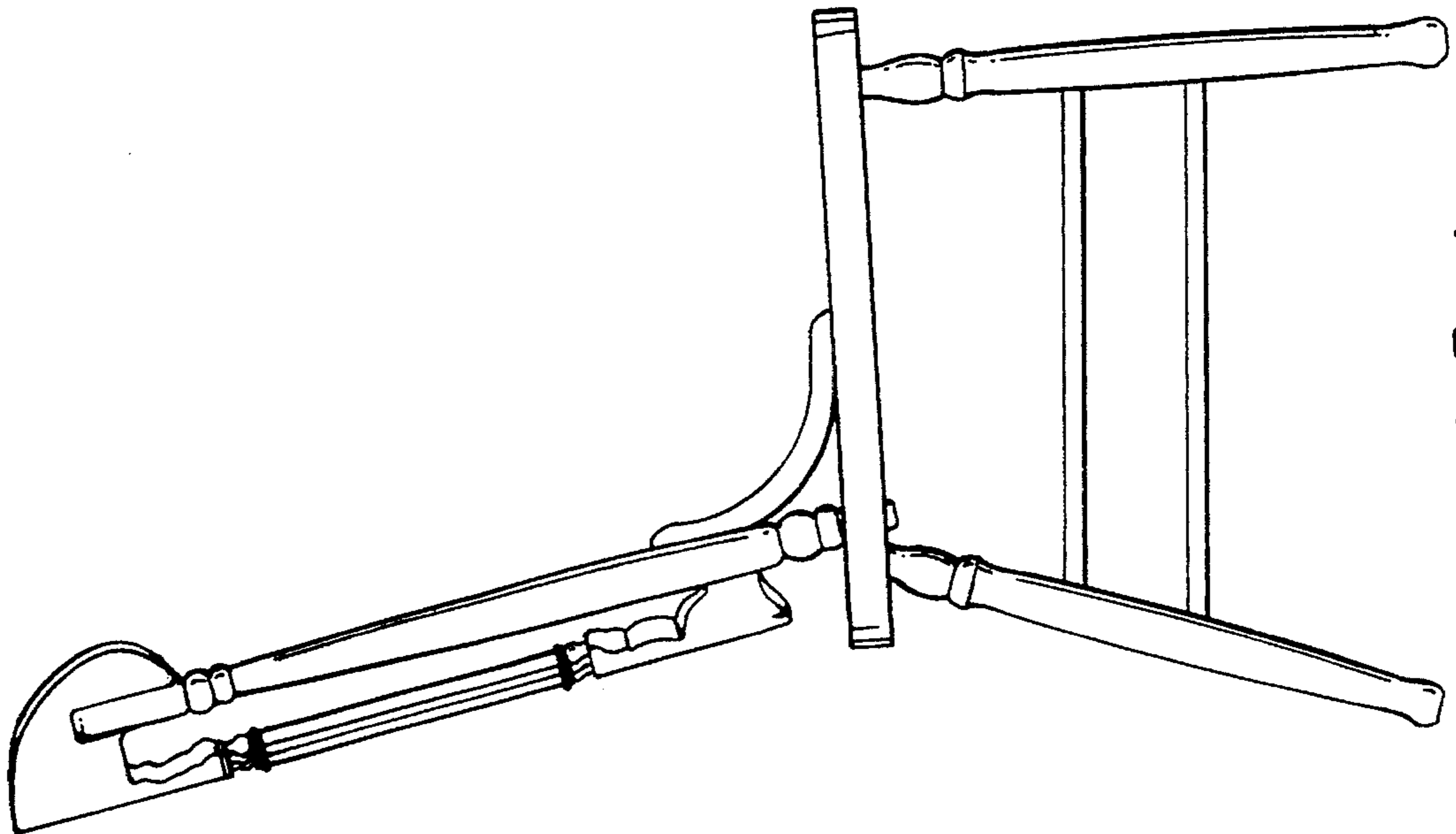


FIG. 4

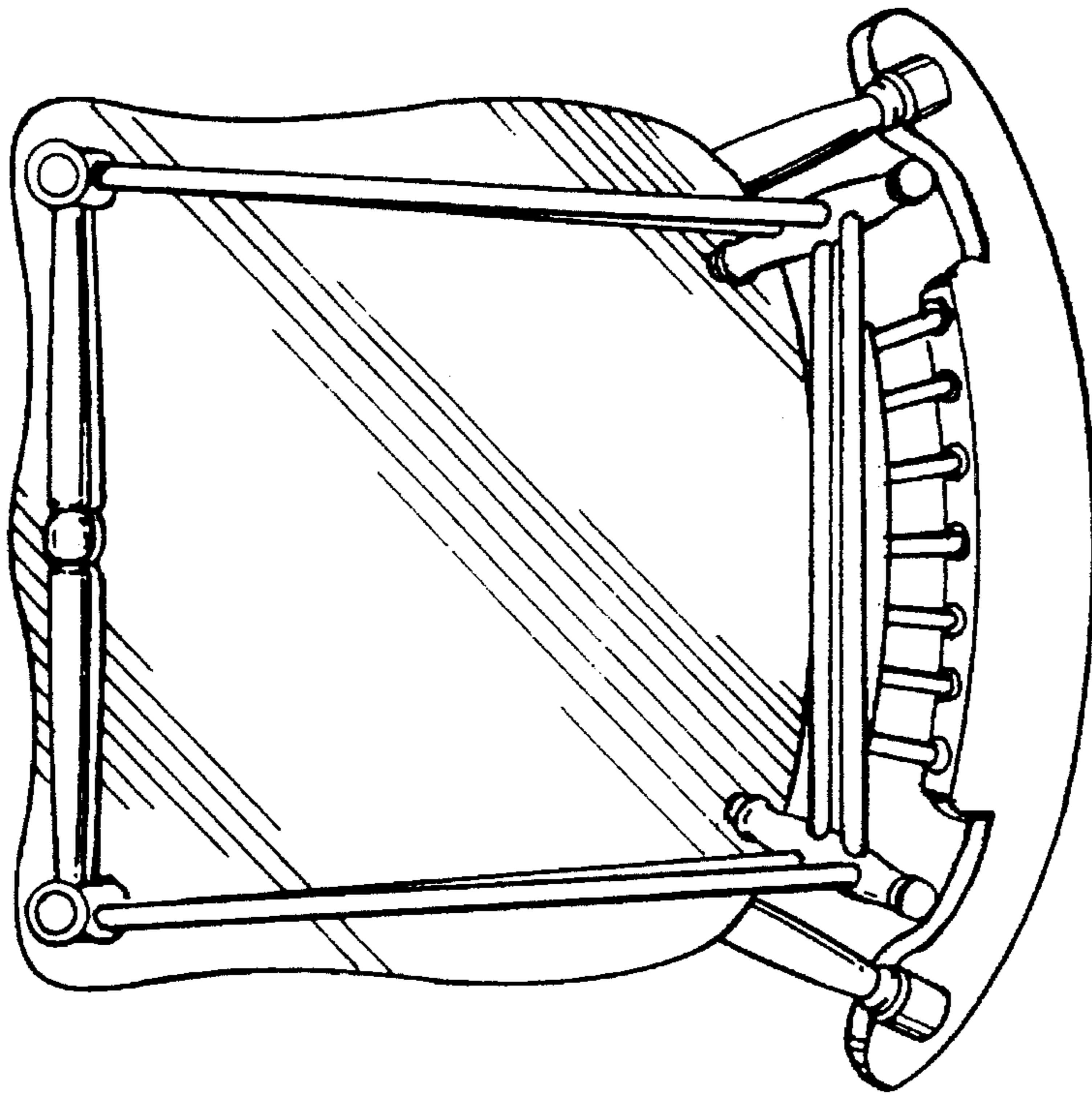


FIG. 7

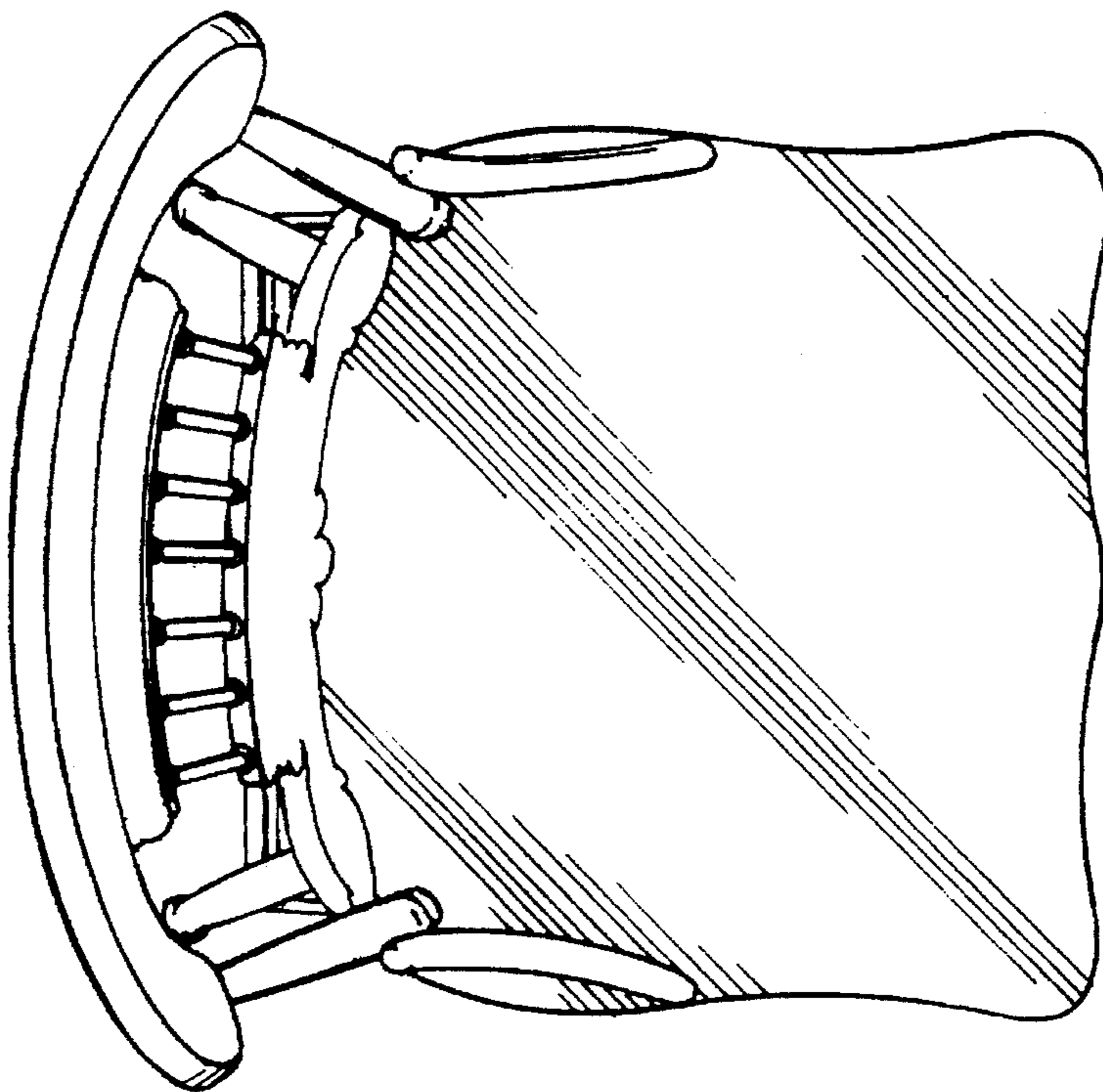


FIG. 6