



US00D369692S

**United States Patent** [19]  
**Skalka**

[11] **Patent Number: Des. 369,692**

[45] **Date of Patent: \*\*May 14, 1996**

[54] **BENCH**

[75] **Inventor: Gerald P. Skalka, Potomac, Md.**

[73] **Assignee: Victor Stanley, Inc., Dunkirk, Md.**

[\*\*] **Term: 14 Years**

[21] **Appl. No.: 33,483**

[22] **Filed: Jan. 13, 1995**

**Related U.S. Application Data**

[62] **Division of Ser. No. 19,383, Mar. 1, 1994, Pat. No. Des. 360,538.**

[52] **U.S. Cl. .... D6/370; D6/373; D6/381**

[58] **Field of Search ..... D6/334, 395, 370, D6/371, 373, 374, 375, 376, 379, 380, 381, 500, 501, 502; 297/232**

[56] **References Cited**

**U.S. PATENT DOCUMENTS**

D. 229,591	12/1973	Trail et al. ....	D6/370
D. 263,353	3/1982	Beals .....	D6/370
D. 279,242	6/1985	Jernigan .....	D6/370
D. 327,586	7/1992	Skalka .....	D6/370
D. 341,267	11/1993	Caldwell .....	D6/370 X
D. 345,869	4/1994	Grosfillex .....	D6/381

*Primary Examiner*—Gary D. Watson  
*Attorney, Agent, or Firm*—Popham, Haik, Schnobrich & Kaufman, Ltd.

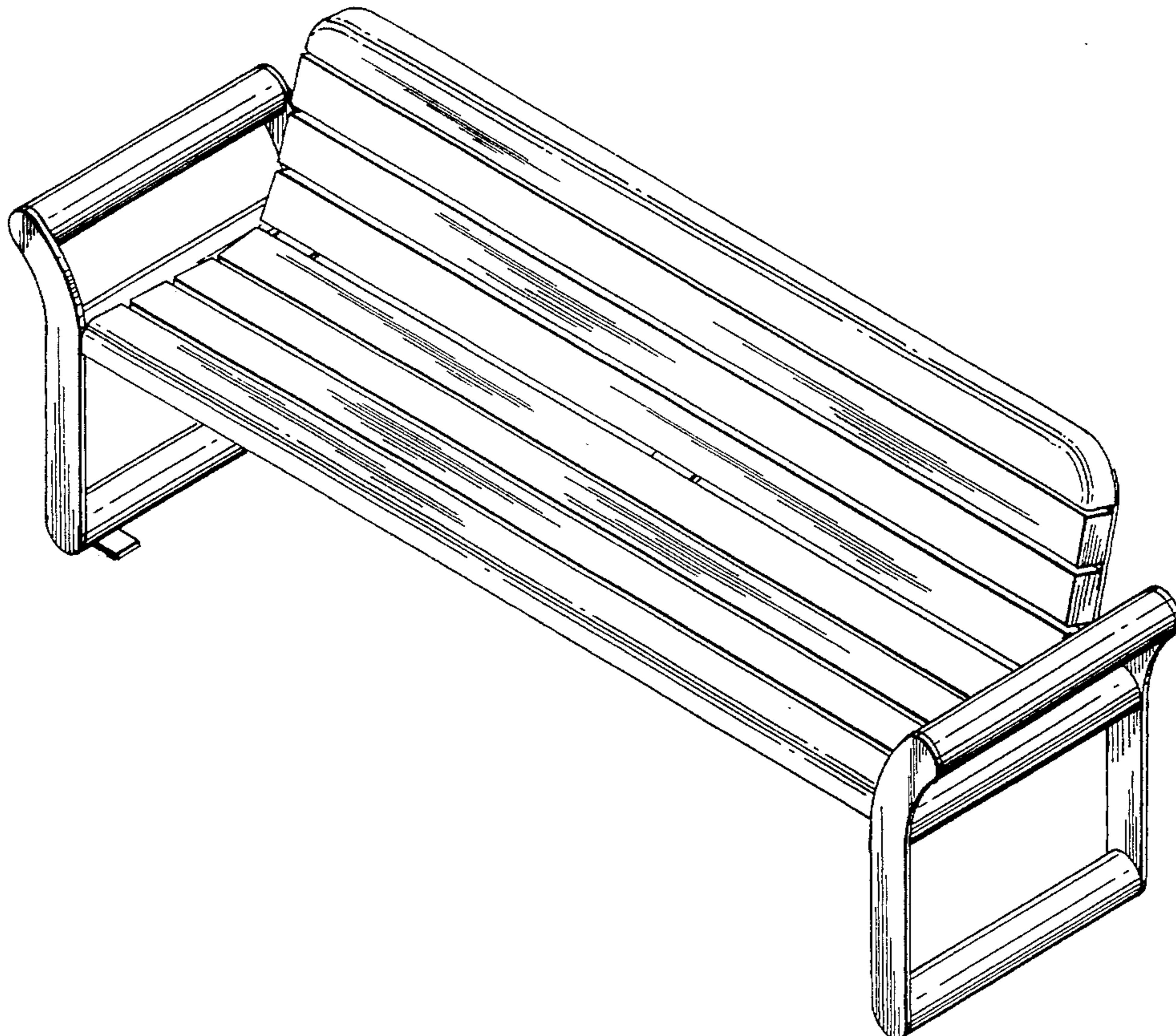
[57] **CLAIM**

The ornamental design for a bench, as shown and described.

**DESCRIPTION**

FIG. 1 is a perspective view of a bench showing a first embodiment of my new design;  
 FIG. 2 is a left side elevational view of the bench of FIG. 1, the right side elevational view being a mirror image thereof;  
 FIG. 3 is a front elevational view of the bench of FIG. 1;  
 FIG. 4 is a rear elevational view of the bench of FIG. 1;  
 FIG. 5 is a bottom plan view of the bench of FIG. 1;  
 FIG. 6 is a top plan view of the bench of FIG. 1;  
 FIG. 7 is a perspective view of a bench showing a second embodiment of my new design;  
 FIG. 8 is a left side elevational view of the bench of FIG. 7, the right side elevational view being a mirror image thereof;  
 FIG. 9 is a front elevational view of the bench of FIG. 7;  
 FIG. 10 is a rear elevational view of the bench of FIG. 7;  
 FIG. 11 is a bottom plan view of the bench of FIG. 7;  
 FIG. 12 is a top plan view of the bench of FIG. 7;  
 FIG. 13 is a perspective view of a bench showing a third embodiment of my new design;  
 FIG. 14 is a left side elevational view of the bench of FIG. 13, the right side elevational view being a mirror image thereof;  
 FIG. 15 is a front elevational view of the bench of FIG. 13;  
 FIG. 16 is a rear elevational view of the bench of FIG. 13;  
 FIG. 17 is a bottom plan view of the bench of FIG. 13; and,  
 FIG. 18 is a top plan view of the bench of FIG. 13.

**1 Claim, 6 Drawing Sheets**



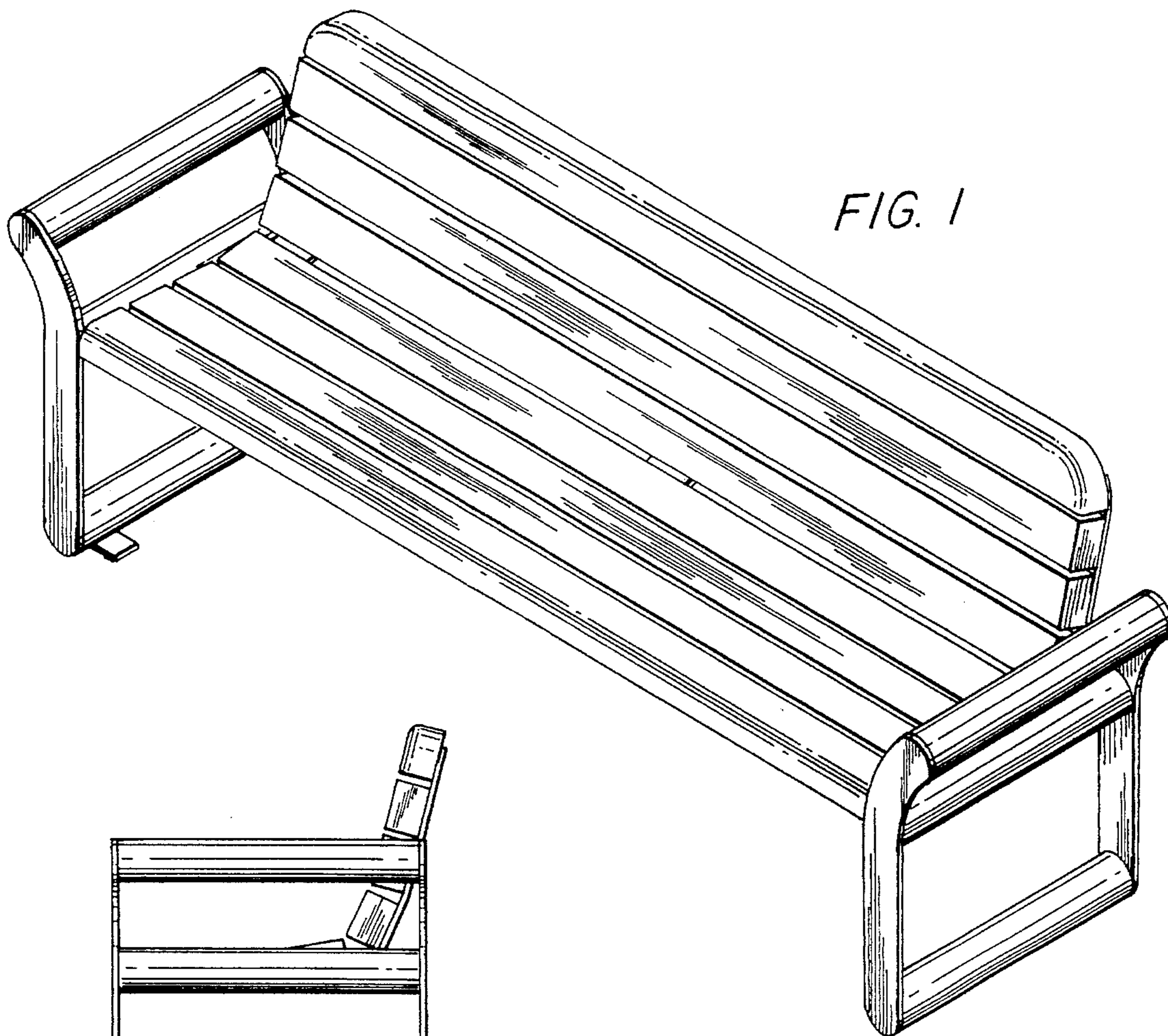


FIG. 1

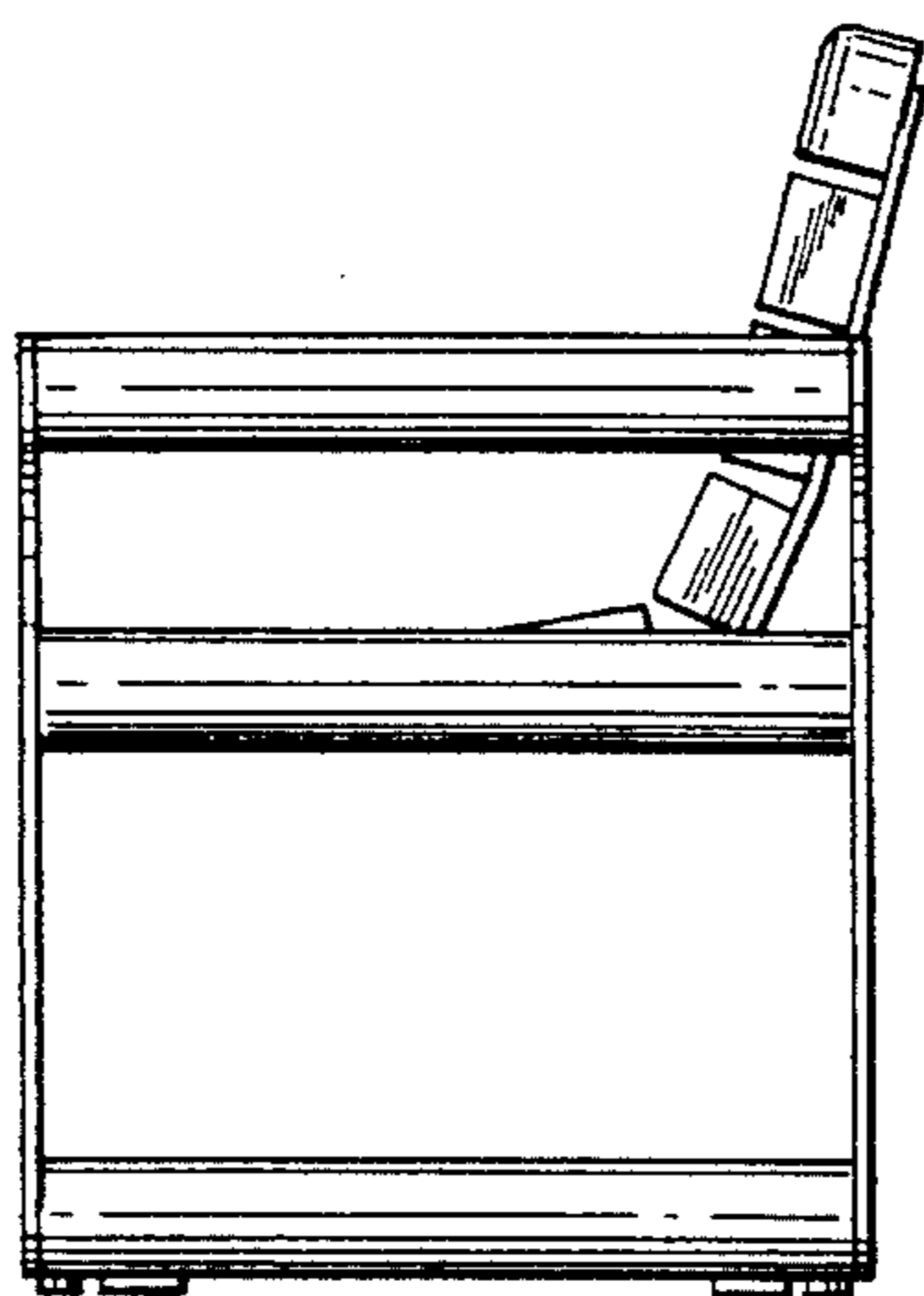


FIG. 2

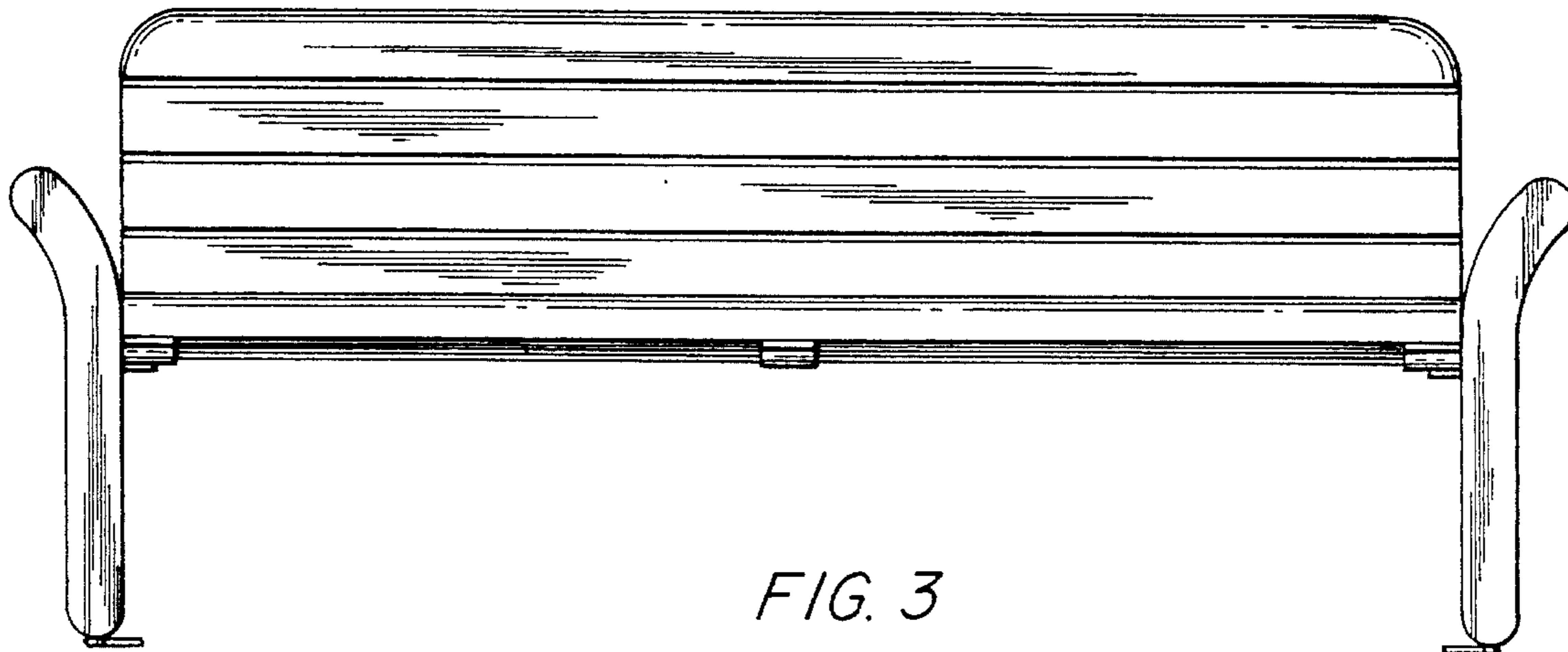


FIG. 3

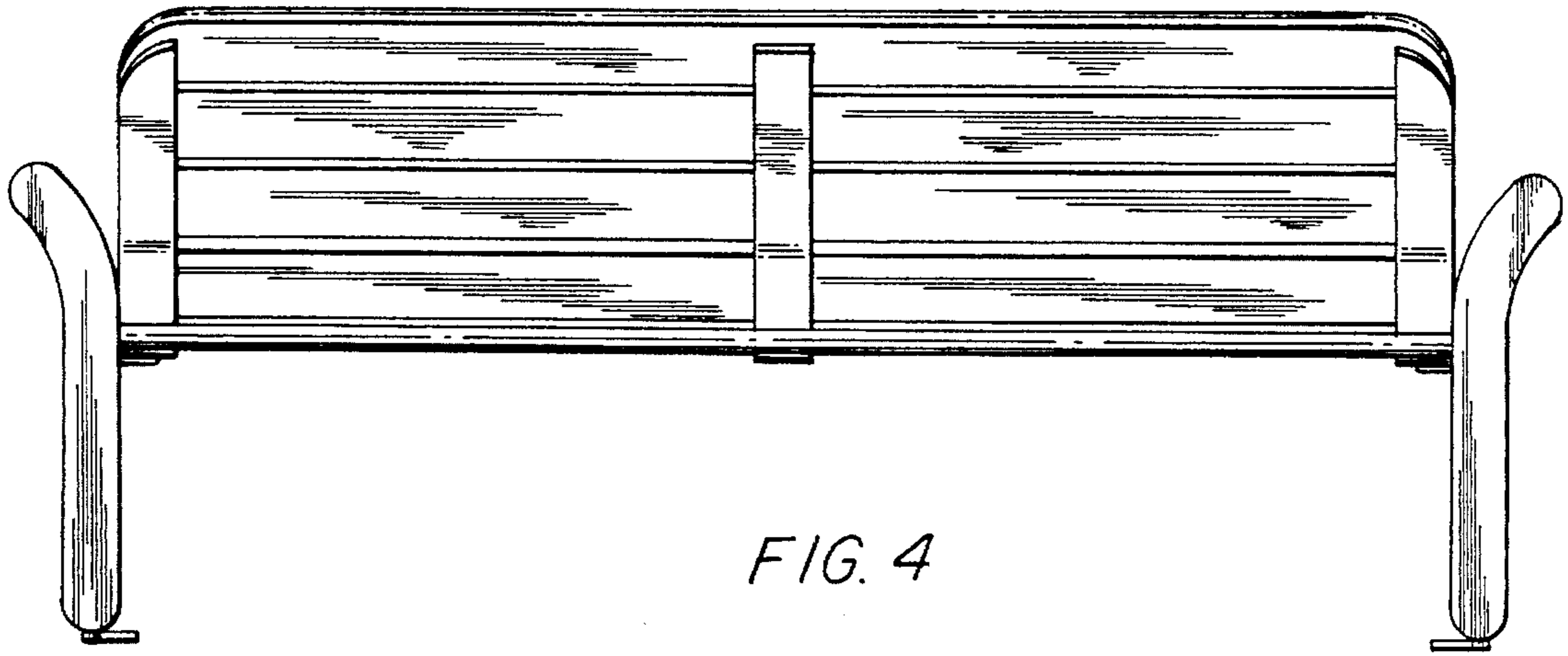


FIG. 4

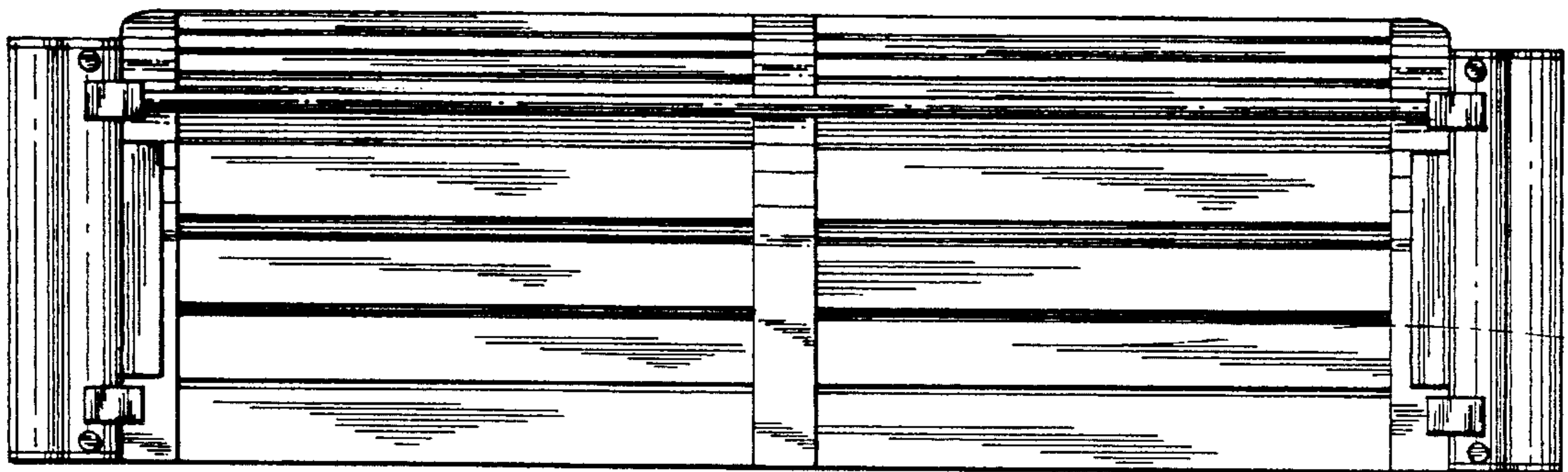
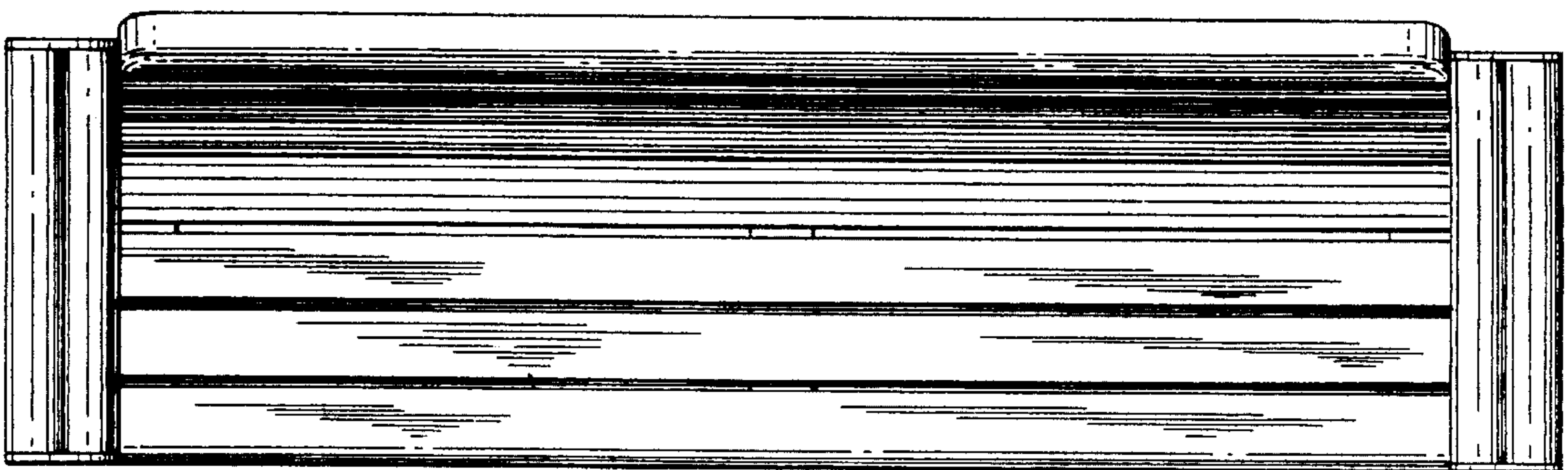


FIG. 5

FIG. 6



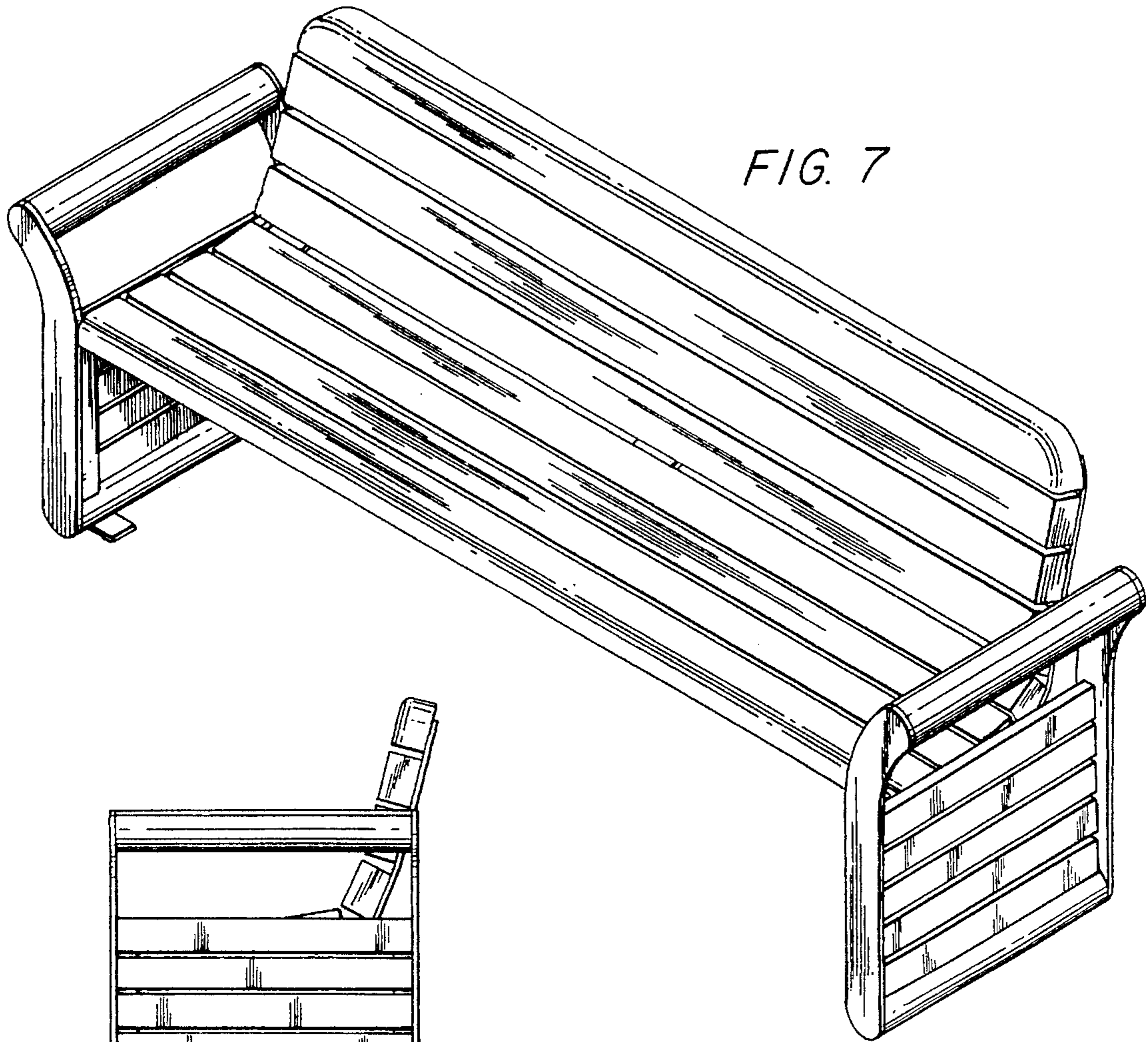


FIG. 7

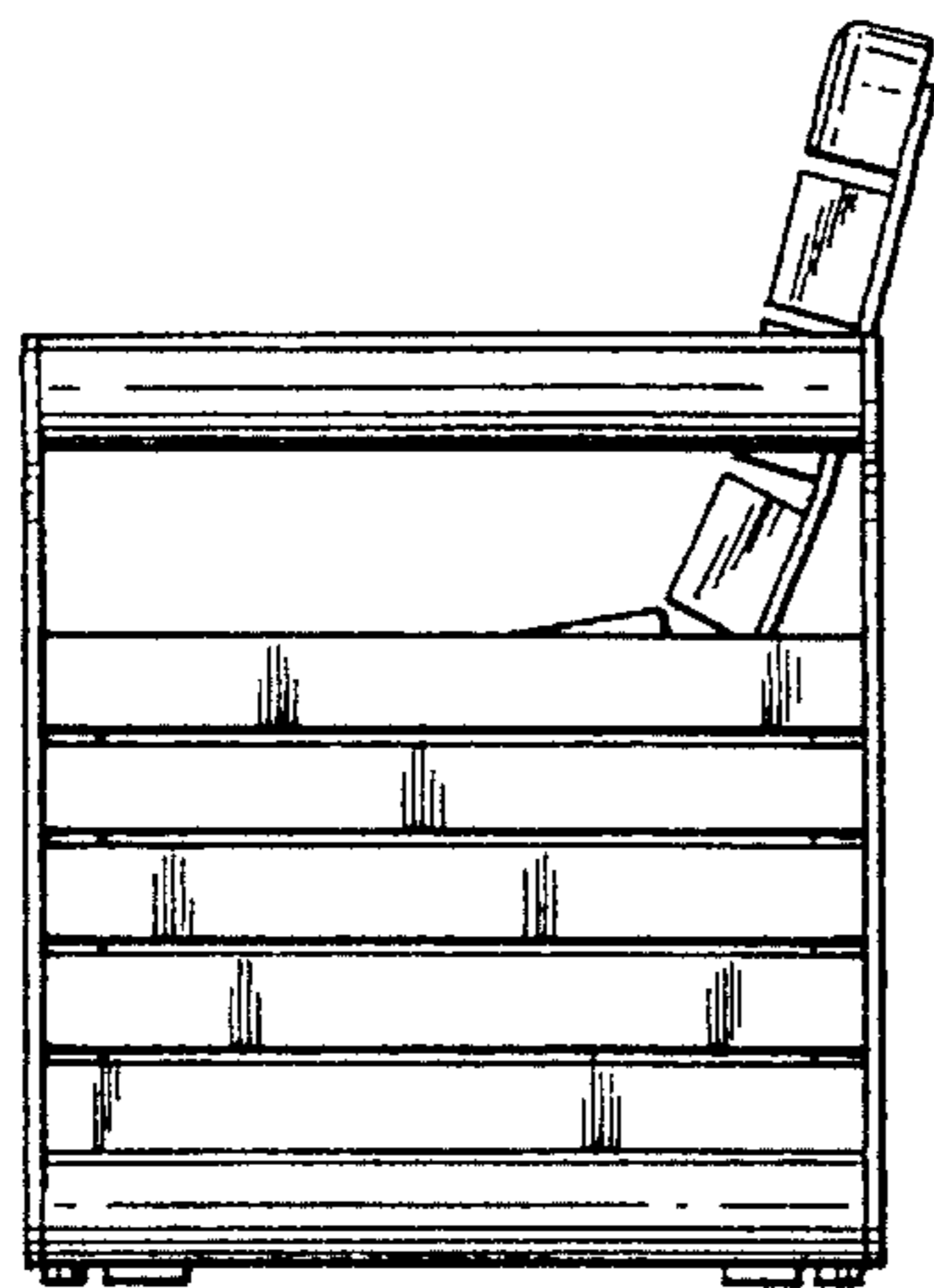


FIG. 8

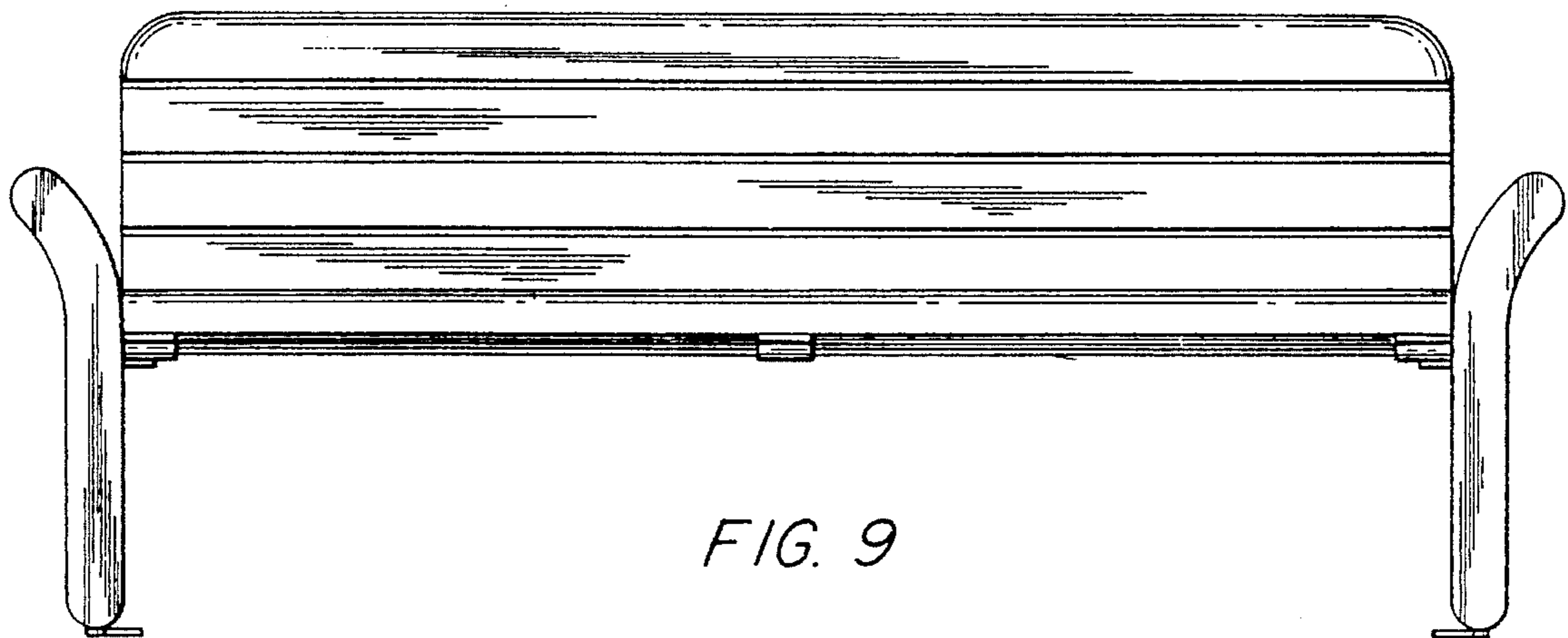


FIG. 9

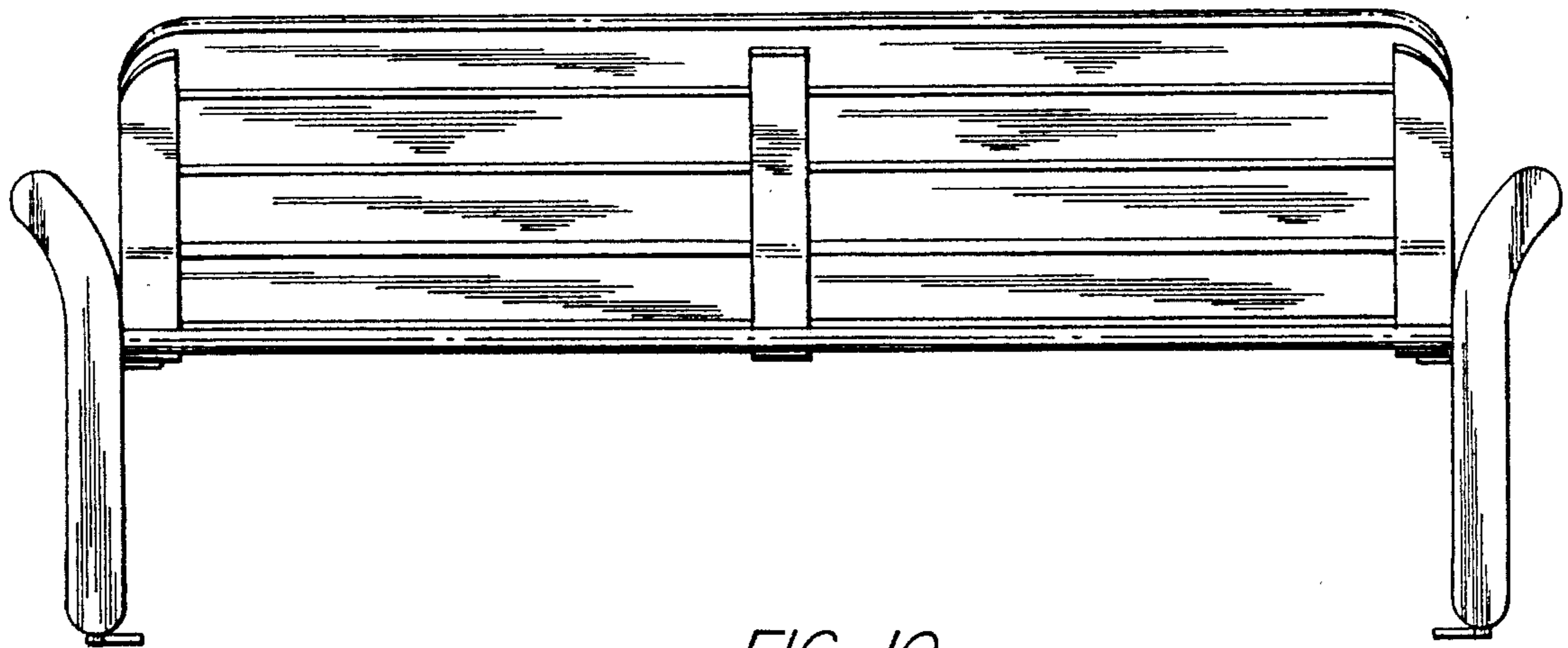


FIG. 10

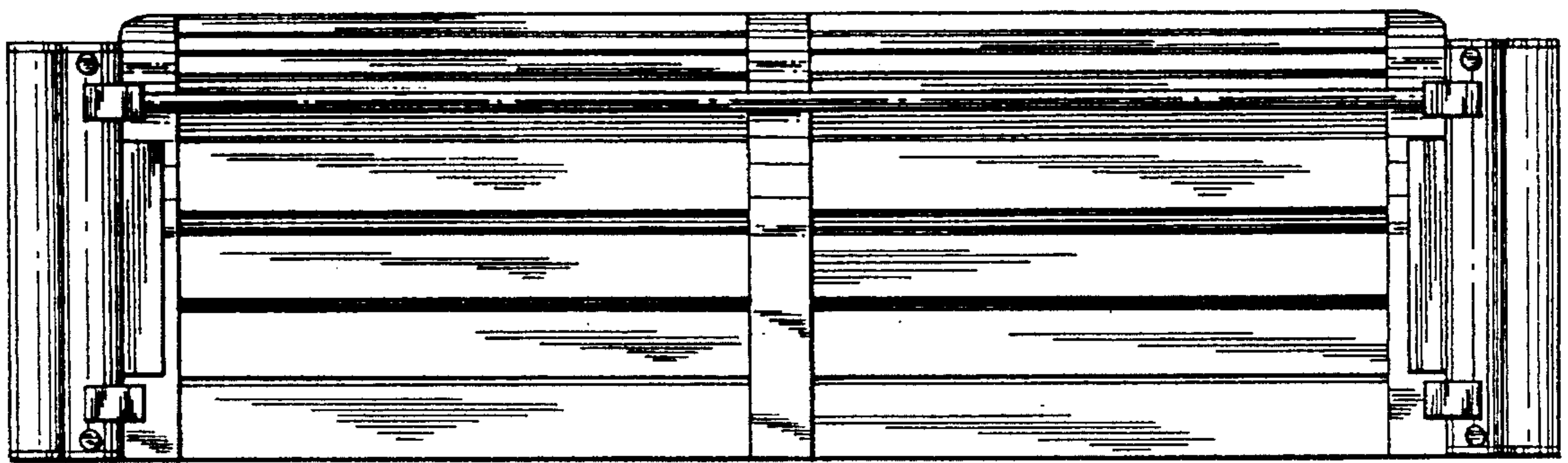


FIG. 11

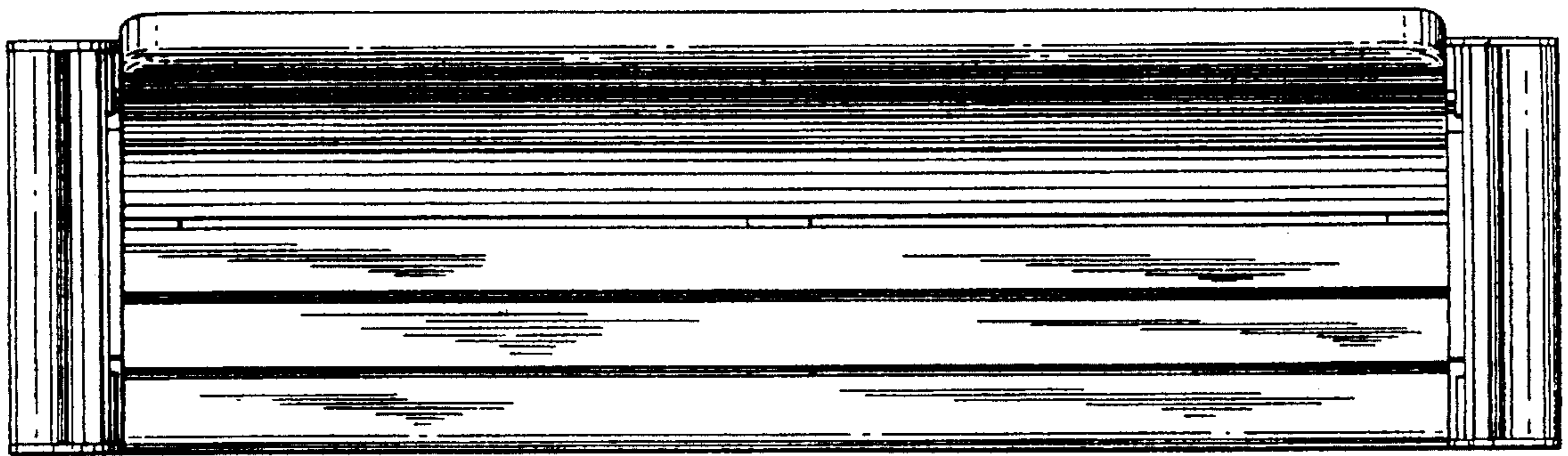


FIG. 12

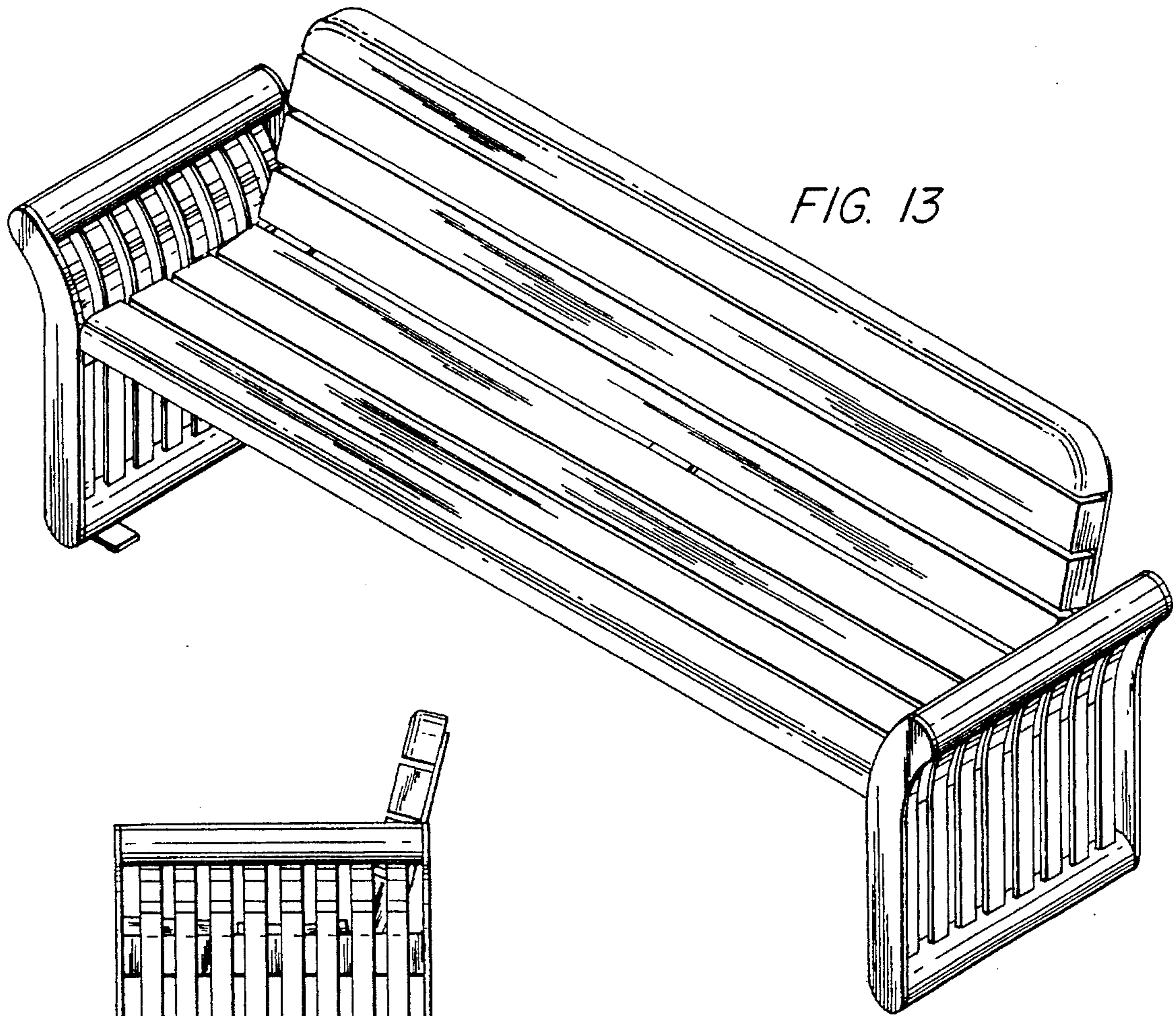


FIG. 13

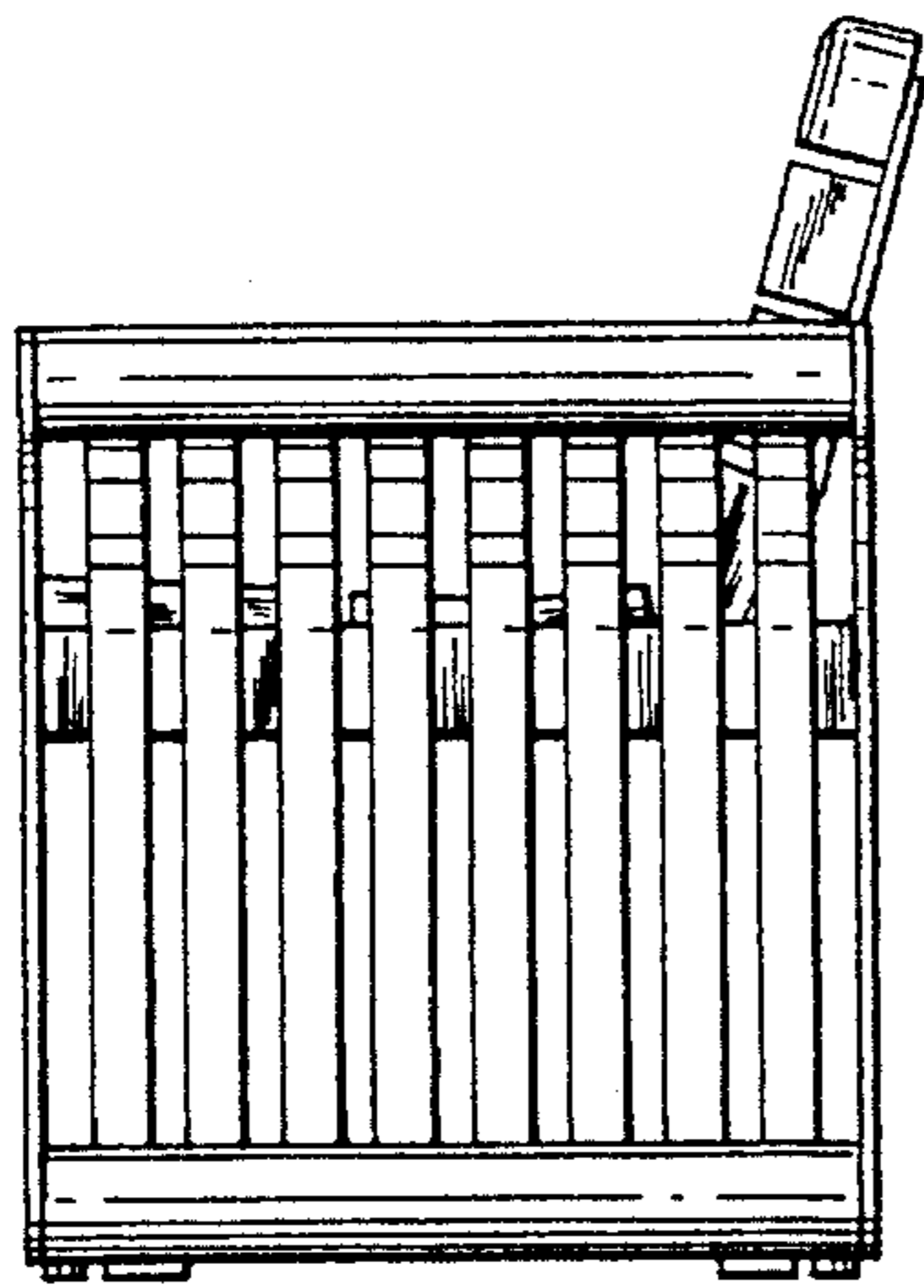


FIG. 14

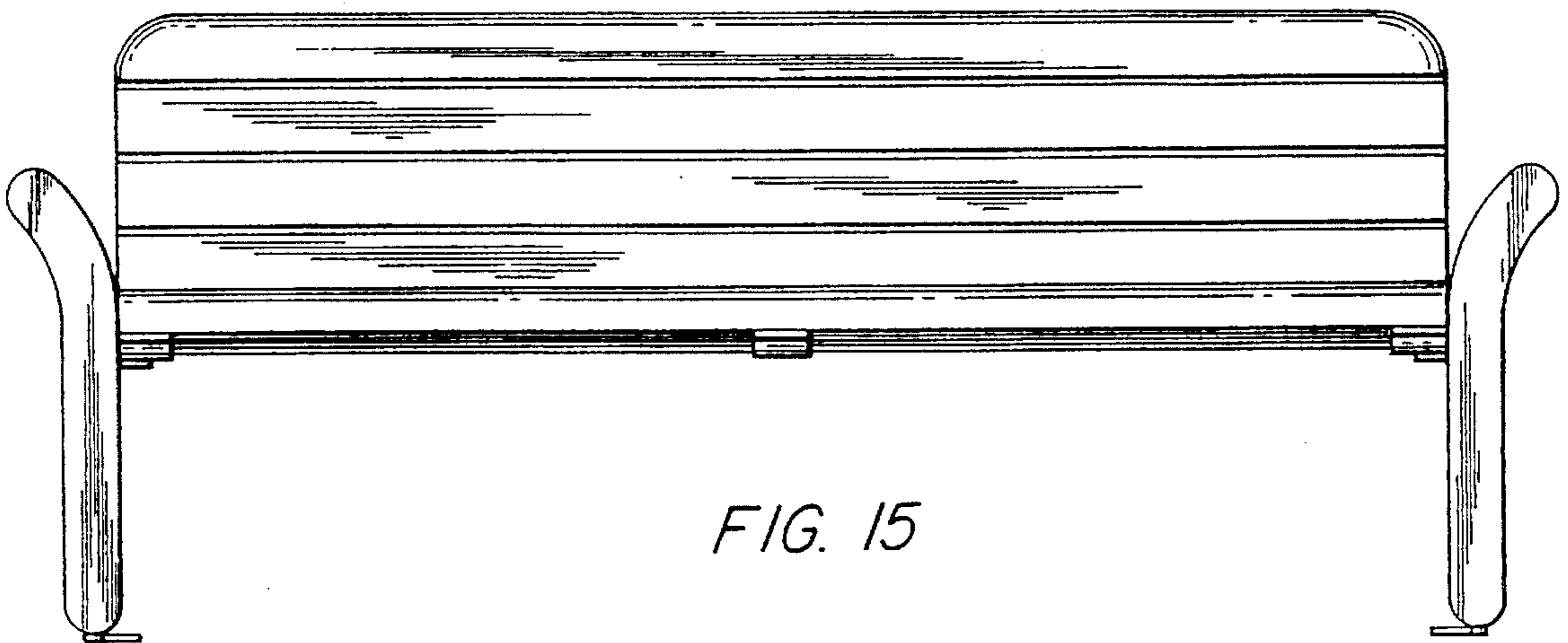


FIG. 15

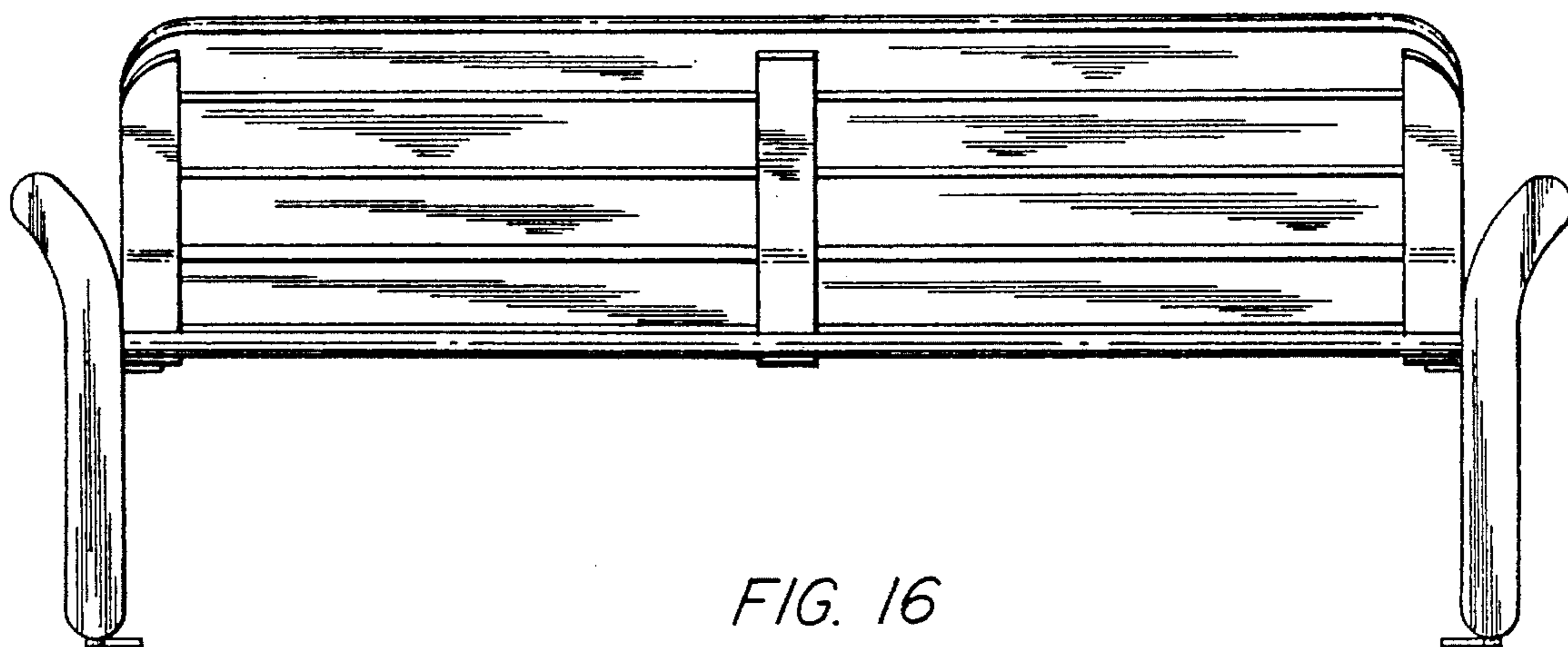


FIG. 16

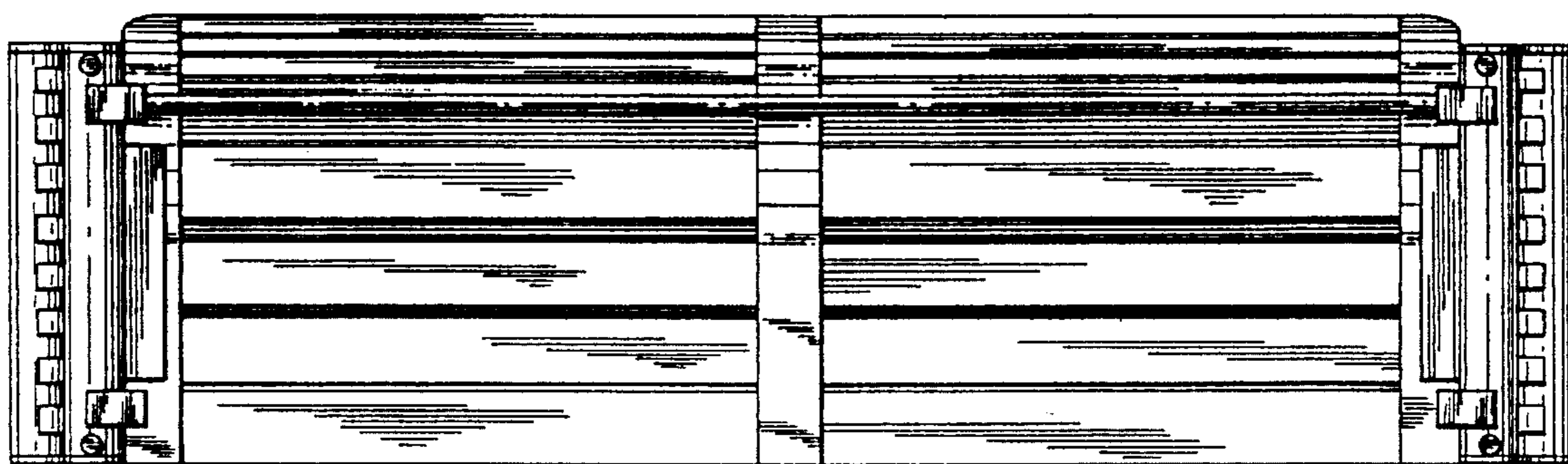


FIG. 17

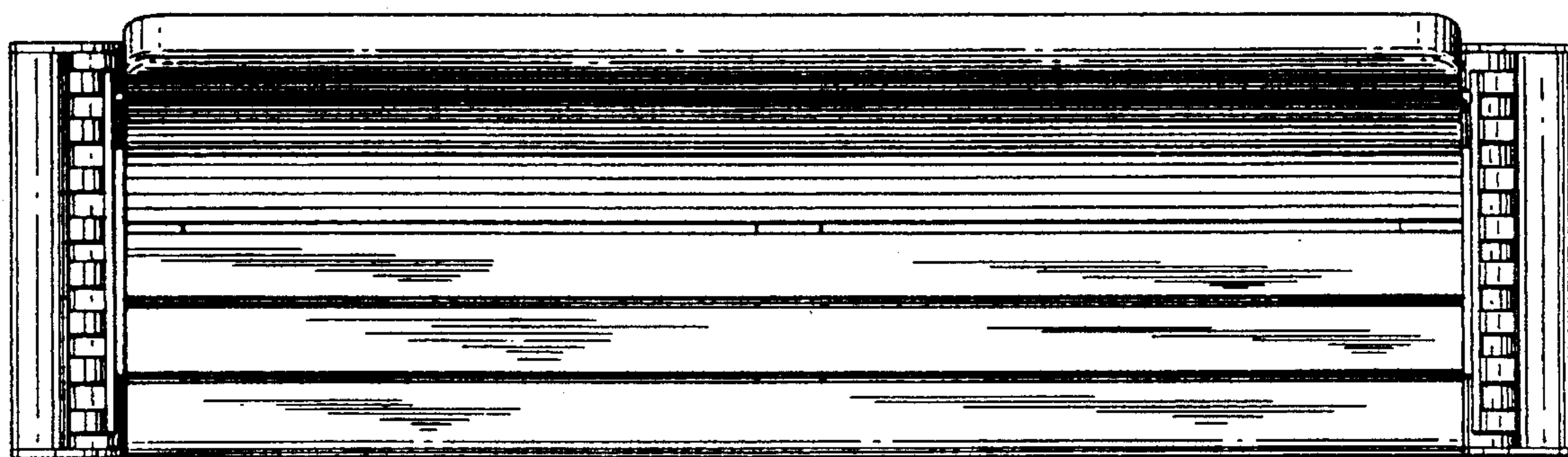


FIG. 18