



US00D369691S

# United States Patent [19] Haynes

[11] Patent Number: **Des. 369,691**

[45] Date of Patent: **\*\*May 14, 1996**

[54] **MESSAGE CHAIR**

5,295,728 3/1994 Schaevitz ..... 297/195.1  
5,401,078 3/1995 Riach ..... 297/423.11

[76] Inventor: **Robin Haynes**, 1730 Industrial Dr.,  
Auburn, Calif. 95603

### OTHER PUBLICATIONS

[\*\*] Term: **14 Years**

Golden Ratio Oakworks product brochure, 1994, p. 10.  
Flyer included in Golden Ratio Oakworks product brochure  
(two pages), 1994, entire flyer.

[21] Appl. No.: **37,827**

Custon Craftworks prouduct brochure, 1994-95, p. 6.

[22] Filed: **Apr. 21, 1995**

Oakworks product brochure, undated, p. 5.

[52] U.S. Cl. .... **D6/367**; D6/335; D6/340

Oakworks product brochure, undated, p. 5.

[58] Field of Search ..... D6/334, 335, 340,  
D6/354, 360, 367, 374, 500, 501, 502;  
297/195.11, 423.11, 423.12; 601/24

Living Earth Crafts product brochure, undated, p. 11.

Living Earth Crafts product brochure, undated, p. 12.

Flyer included in Blue Ridge Tables, Inc. product brochure,  
undated, entire flyer.

### [56] References Cited

Stronglite product catalog, 1993-94, last page.

Oakworks advertisement in "Message Therapy Journal",  
vol. 33, No. 2, Spring 1994, p. 1.

#### U.S. PATENT DOCUMENTS

D. 265,612	8/1982	Gusrud et al. ....	D6/38
D. 292,654	11/1987	Melvin .....	D6/360
D. 299,594	1/1989	Richardson .....	D6/335
D. 323,073	1/1992	Opsvik .....	D6/335
3,759,511	9/1973	Zinklin et al. ....	272/58
3,861,382	1/1975	Simjian .....	128/58
4,650,249	3/1987	Serber .....	297/423.11 X
4,662,361	5/1987	Patterson .....	128/25 R
4,699,423	10/1987	Fitzig et al. ....	297/240
4,798,395	1/1989	Shaffer et al. ....	280/240
4,858,919	8/1989	Jones .....	272/134
4,943,117	7/1990	Brown .....	297/392
5,020,795	6/1991	Airy et al. ....	272/129
5,040,522	8/1991	Daniels .....	128/25 R
5,110,121	5/1992	Foster .....	482/137
5,158,074	10/1992	Grellas .....	128/25 R
5,178,593	1/1993	Roberts .....	482/62
5,186,519	2/1993	Larson .....	297/423
5,199,763	4/1993	Wilder et al. ....	297/338

*Primary Examiner*—Gary D. Watson

*Attorney, Agent, or Firm*—Bernhard Kreten

### [57] CLAIM

The ornamental design for a massage chair, as shown and described.

### DESCRIPTION

FIG. 1 is a left side elevational view of a massage chair showing my new design;

FIG. 2 is a rear elevational view thereof;

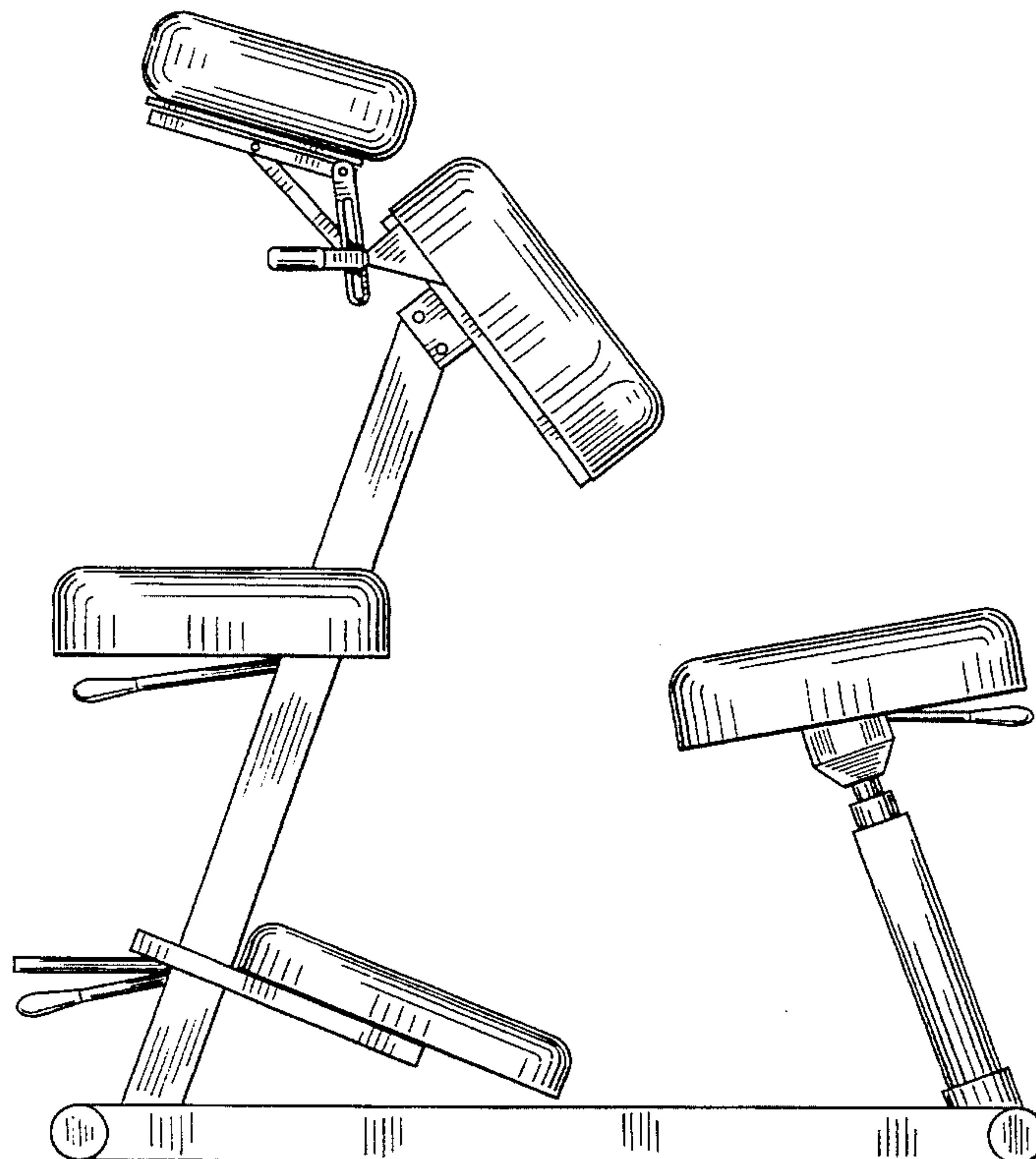
FIG. 3 is a front elevational view thereof;

FIG. 4 is a right side elevational view thereof;

FIG. 5 is a top plan view thereof; and,

FIG. 6 is a bottom plan view thereof.

**1 Claim, 4 Drawing Sheets**



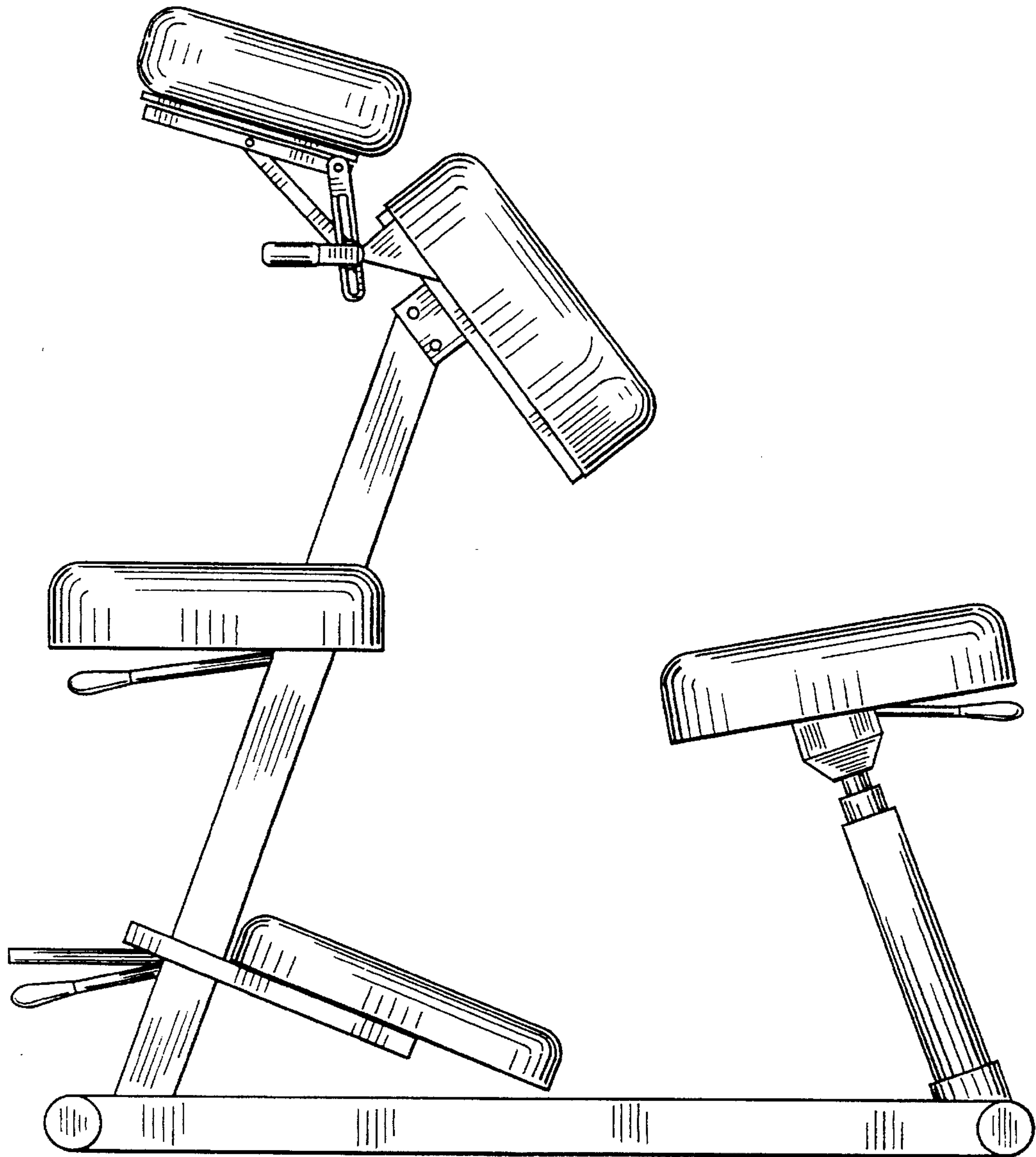


FIG. 1

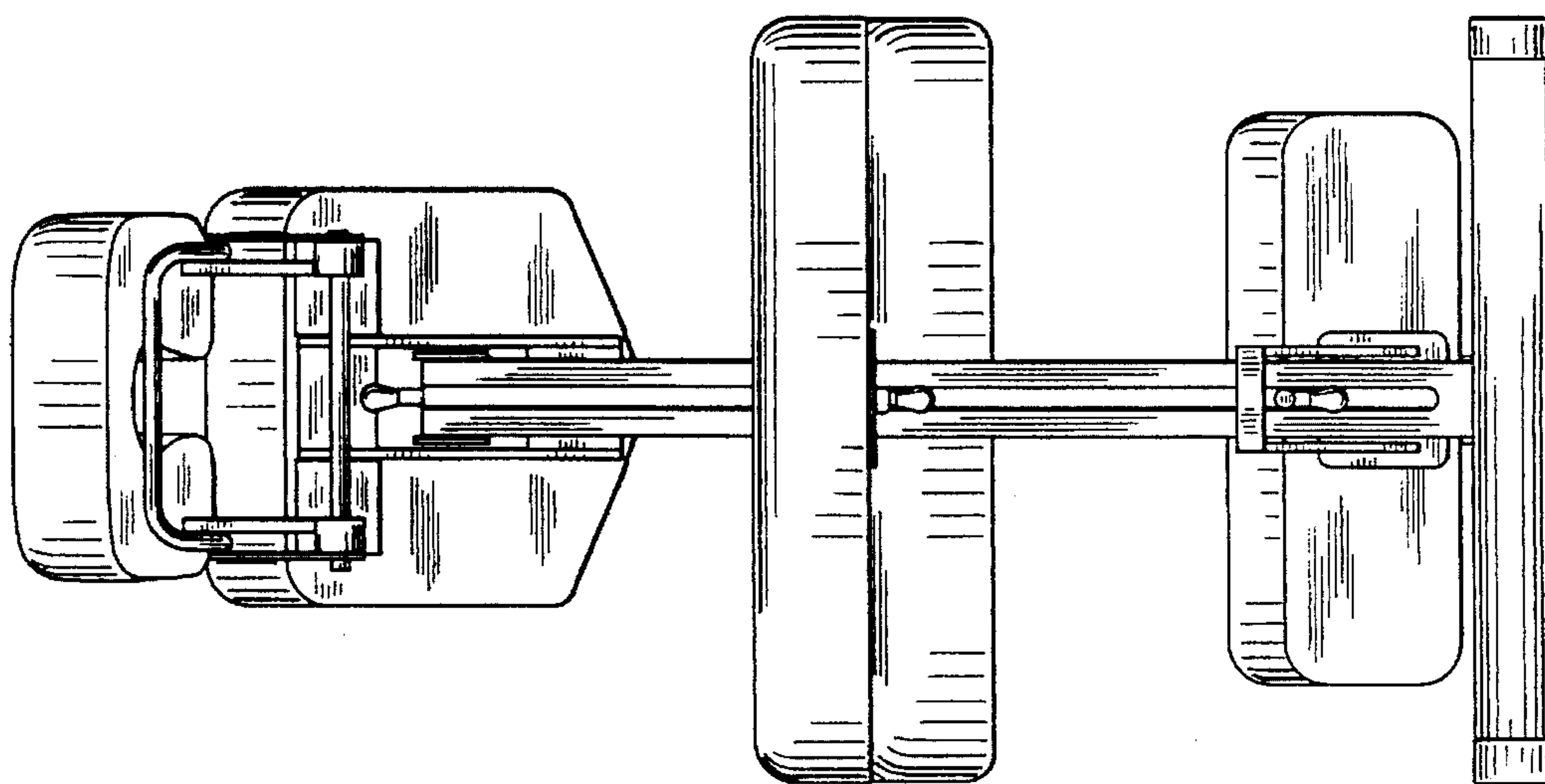


FIG. 3

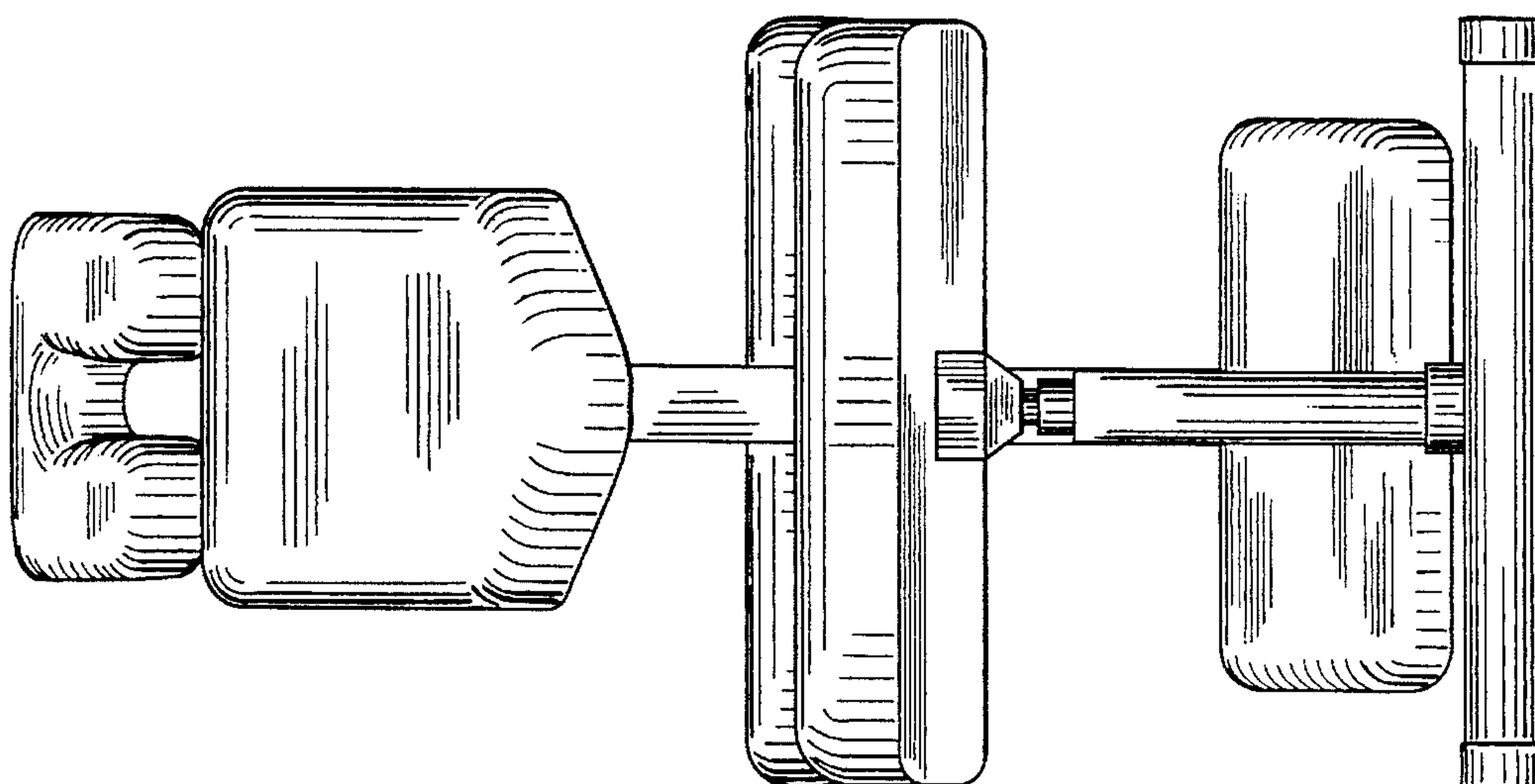


FIG. 2



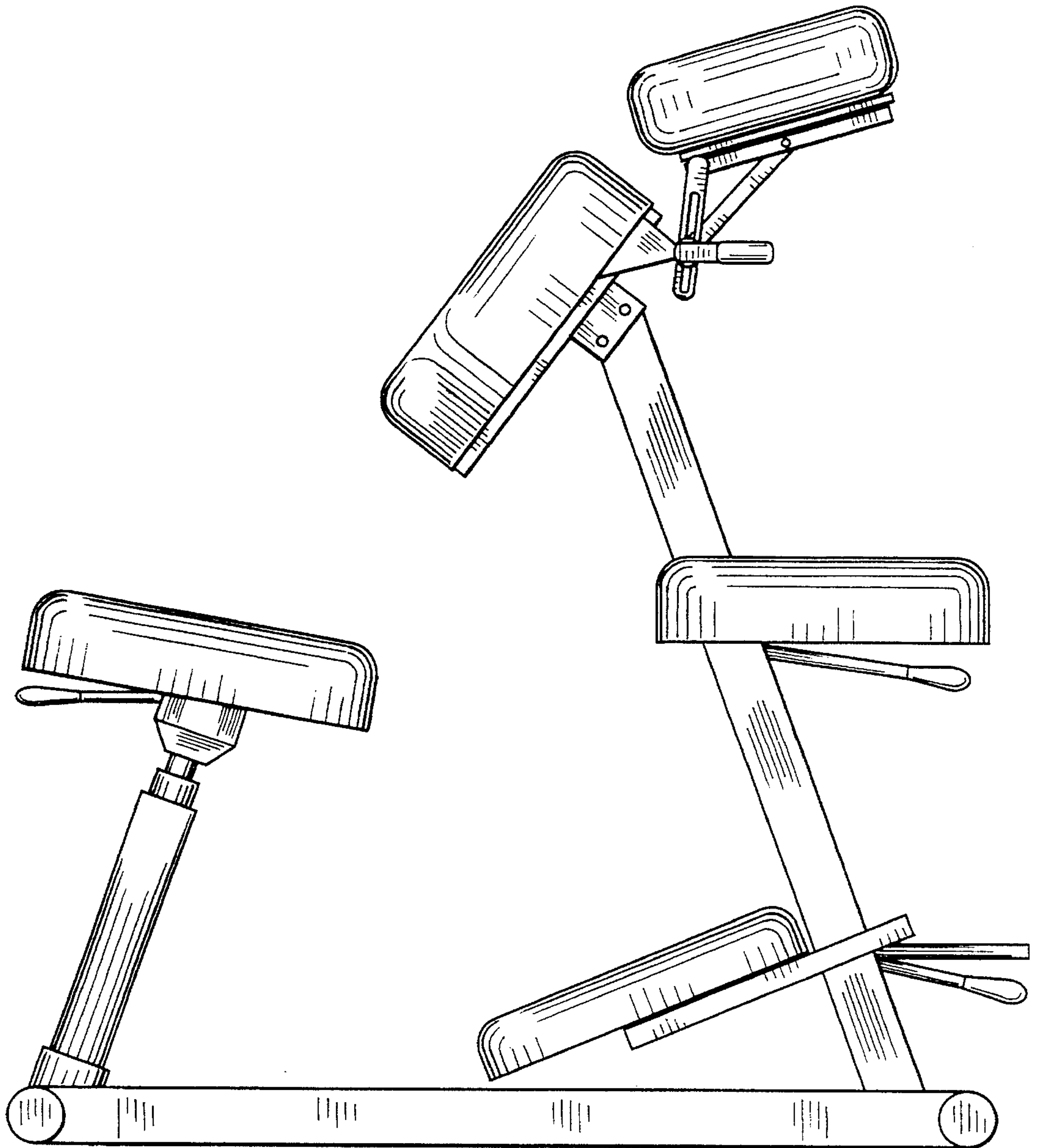


FIG. 4

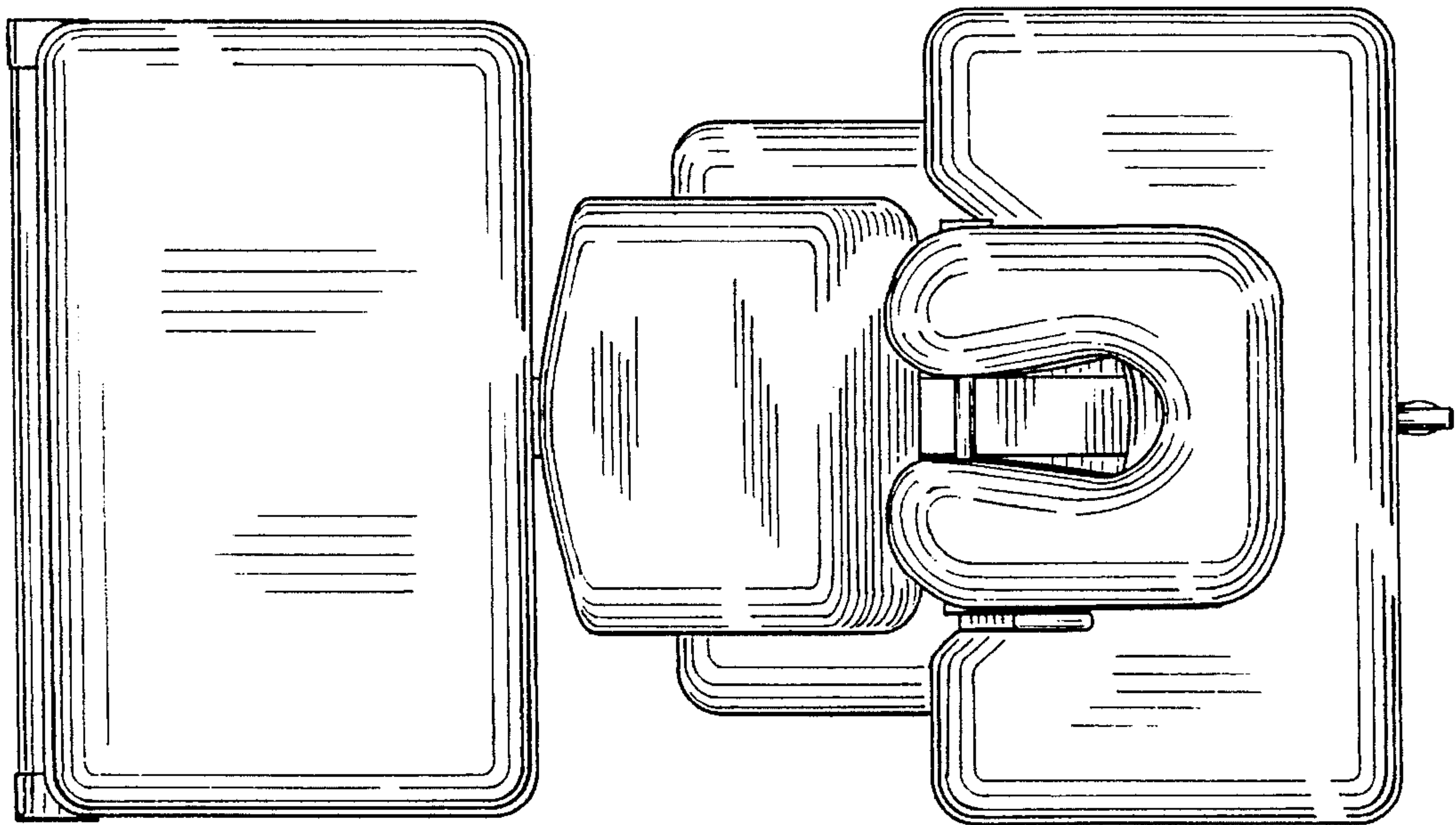


FIG. 5

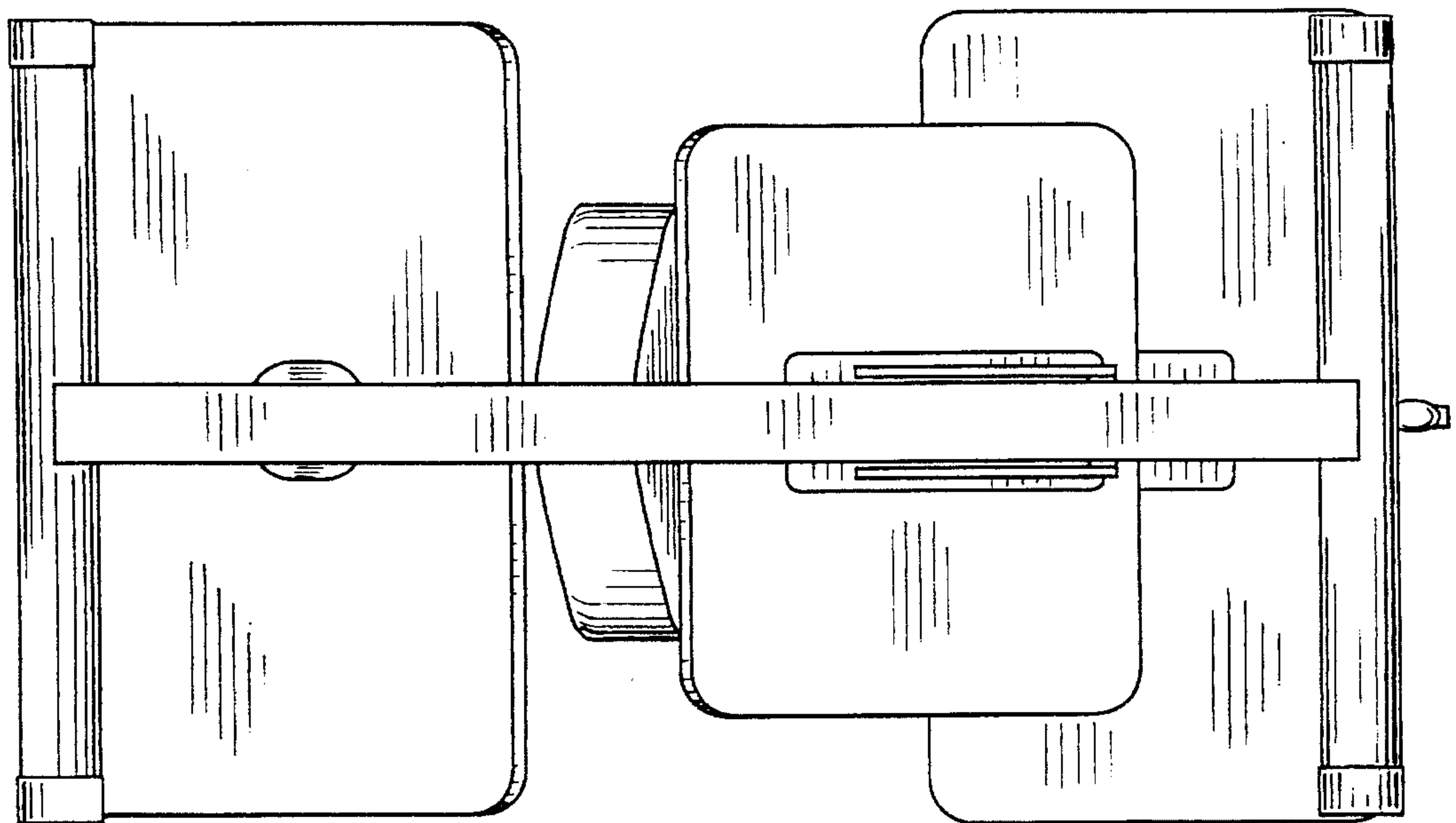


FIG. 6