



US00D369689S

United States Patent [19]

Locher

[11] Patent Number: **Des. 369,689**

[45] Date of Patent: ****May 14, 1996**

[54] **CHAIR**

[75] Inventor: **Hermann Locher**, Schwanden, Switzerland

[73] Assignee: **Giroflex Entwicklungs AG**, Koblenz, Switzerland

[**] Term: **14 Years**

[21] Appl. No.: **37,629**

[22] Filed: **Apr. 18, 1995**

[30] **Foreign Application Priority Data**

Oct. 19, 1994 [WO] WIPO DM/031051

[52] **U.S. Cl.** **D6/366**

[58] **Field of Search** D6/334, 365, 366, D6/367, 379, 500, 501, 502; 297/411.2, 411.44

[56] **References Cited**

U.S. PATENT DOCUMENTS

- D. 185,849 8/1959 Christenson et al. D6/366
- D. 249,303 9/1978 Ruf D6/366
- D. 255,183 6/1980 Locher D6/366

- D. 312,003 11/1990 Muller-Deisig et al. D6/366
- D. 318,184 7/1991 Muller-Deisig et al. D6/366
- D. 318,577 7/1991 Chadwick et al. D6/366
- D. 322,363 12/1991 Marita D6/366
- D. 358,064 5/1995 Larkin D6/366

OTHER PUBLICATIONS

Domus, May 1979, p. ©, chair shown.

Primary Examiner—Gary D. Watson
Attorney, Agent, or Firm—Greenblum & Bernstein

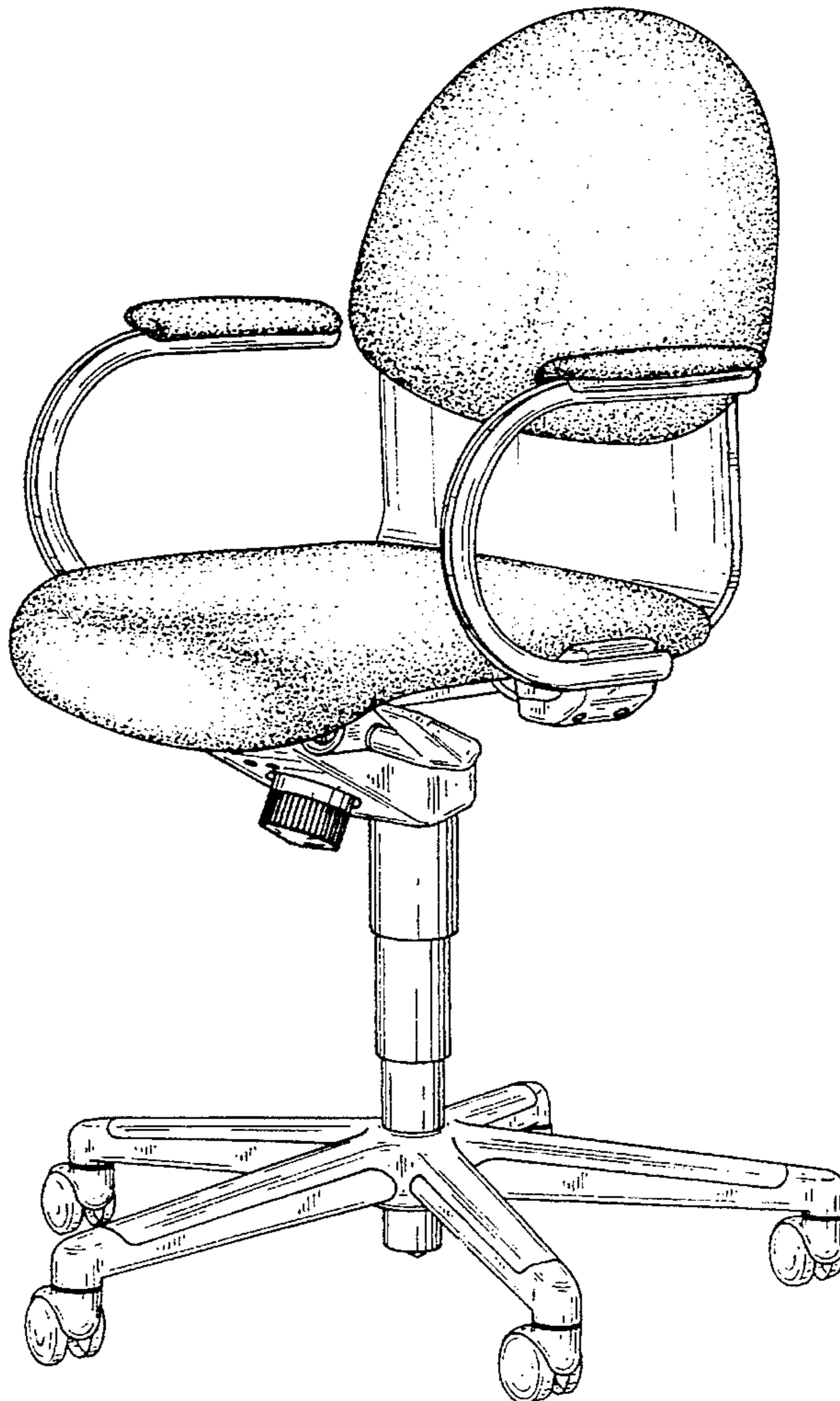
[57] CLAIM

The ornamental design for a chair, as shown and described.

DESCRIPTION

FIG. 1 is a front perspective view of a chair, showing my new design;
 FIG. 2 is a front elevational view thereof;
 FIG. 3 is a rear elevational view thereof;
 FIG. 4 is a left side elevational view thereof;
 FIG. 5 is a right side elevational view thereof;
 FIG. 6 is a top plan view thereof; and,
 FIG. 7 is a bottom plan view thereof.

1 Claim, 6 Drawing Sheets



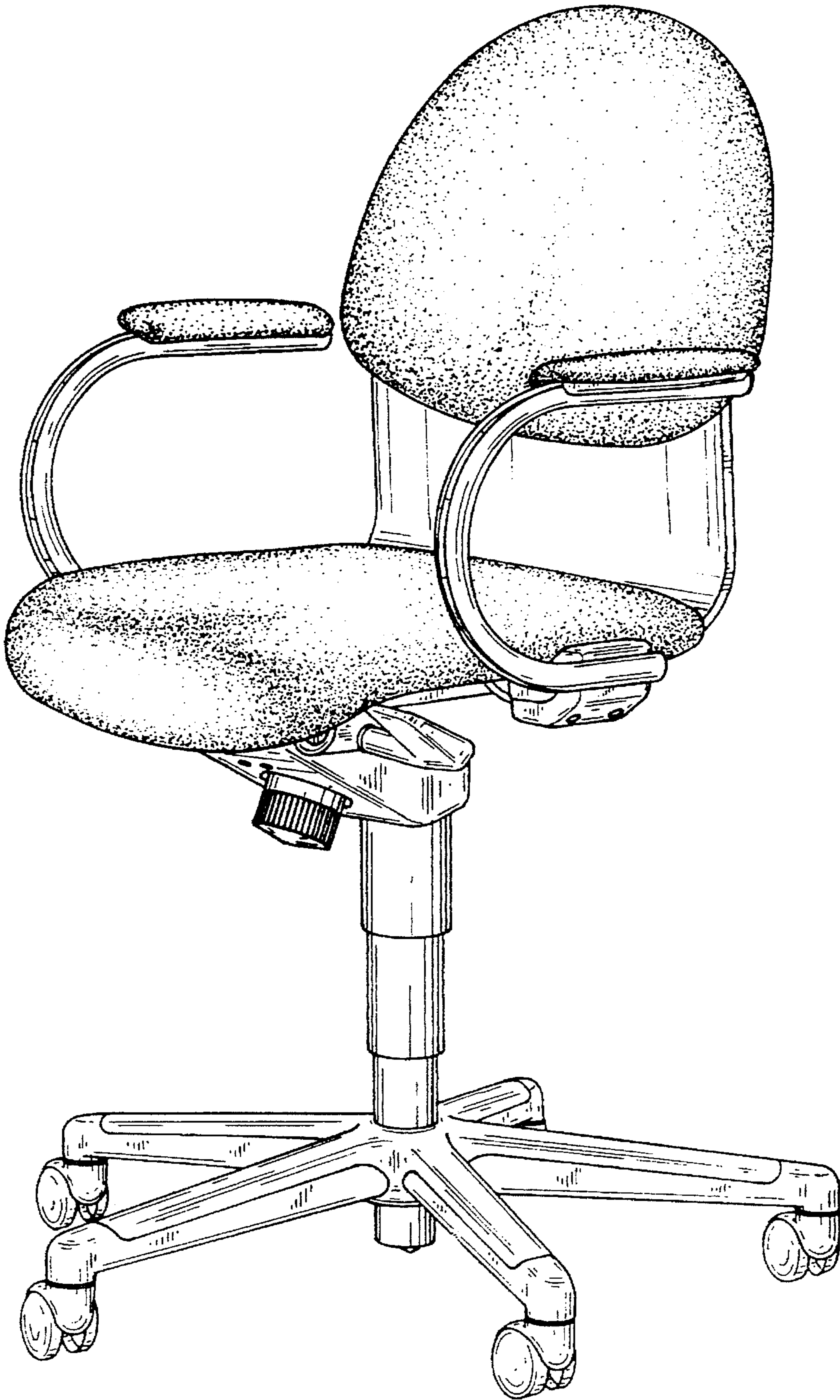


FIG. 1

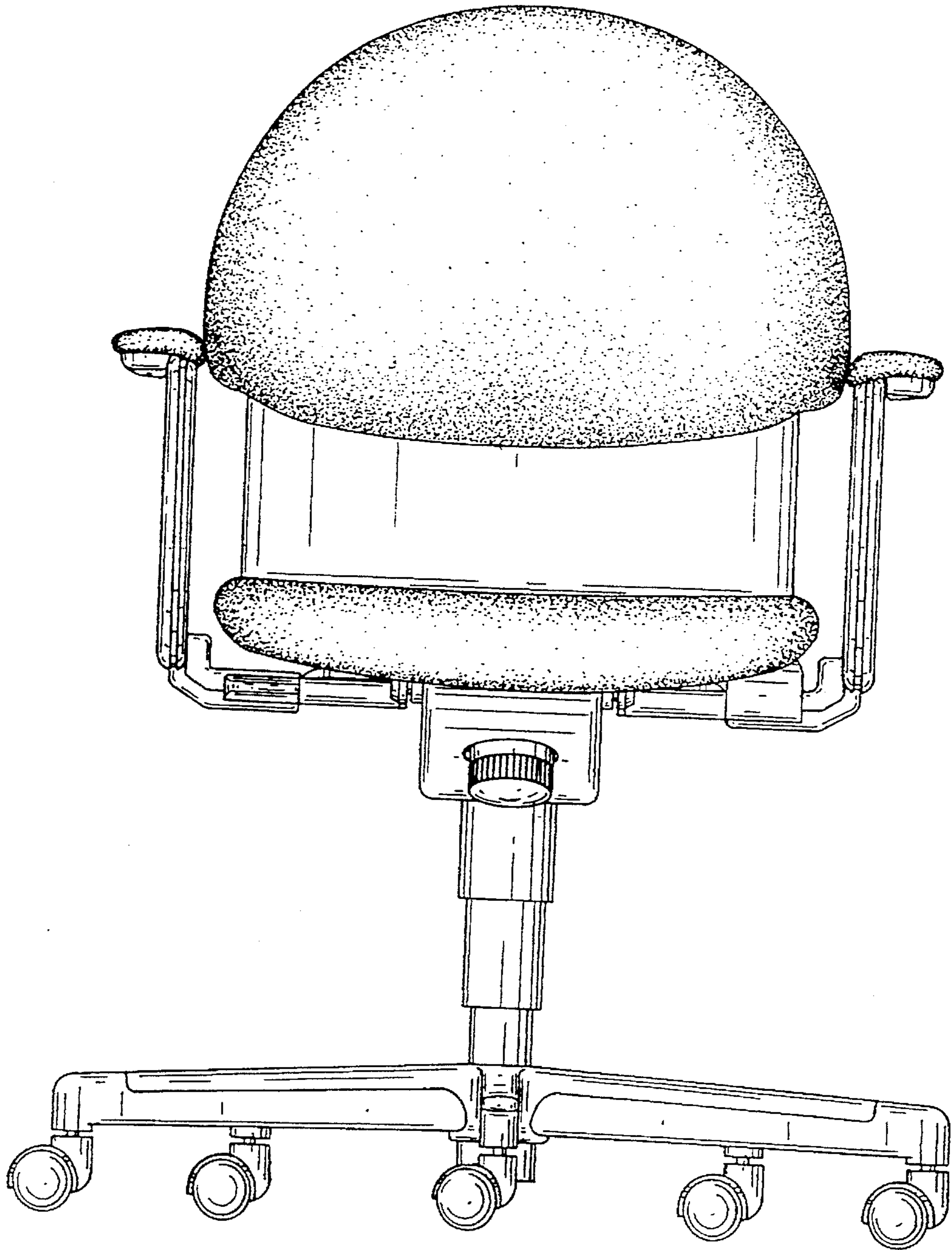


FIG. 2

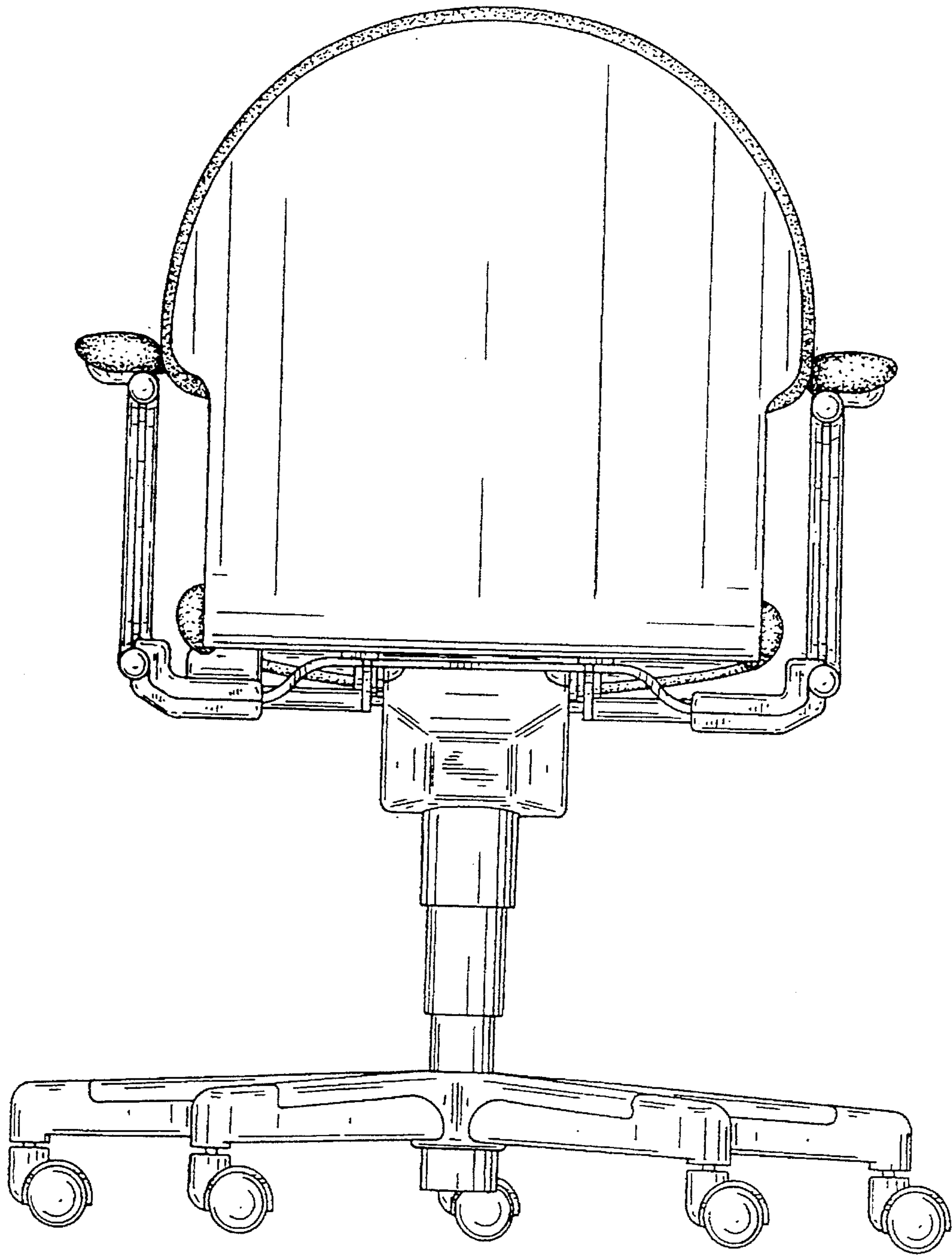


FIG. 3

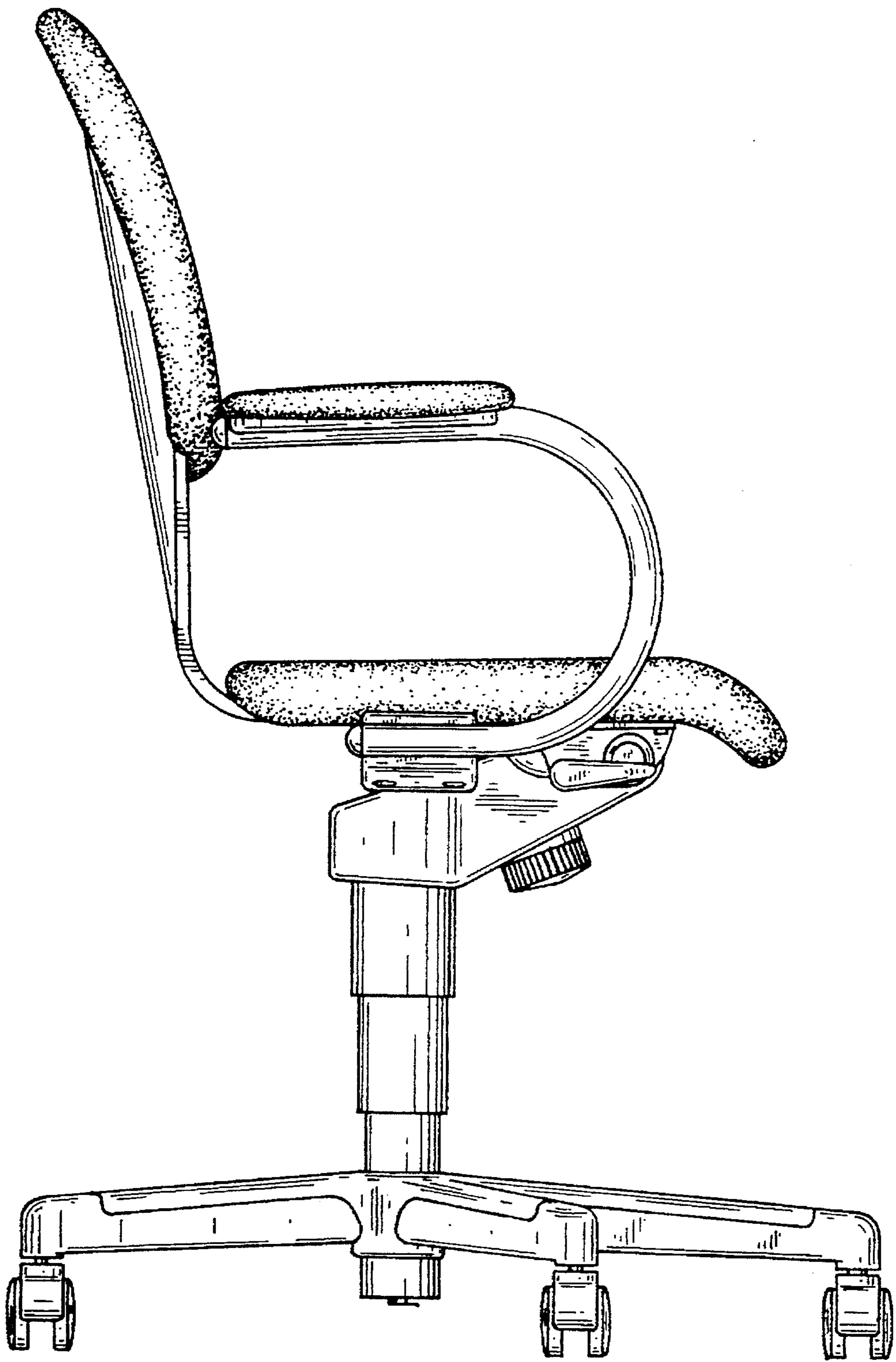


FIG. 4

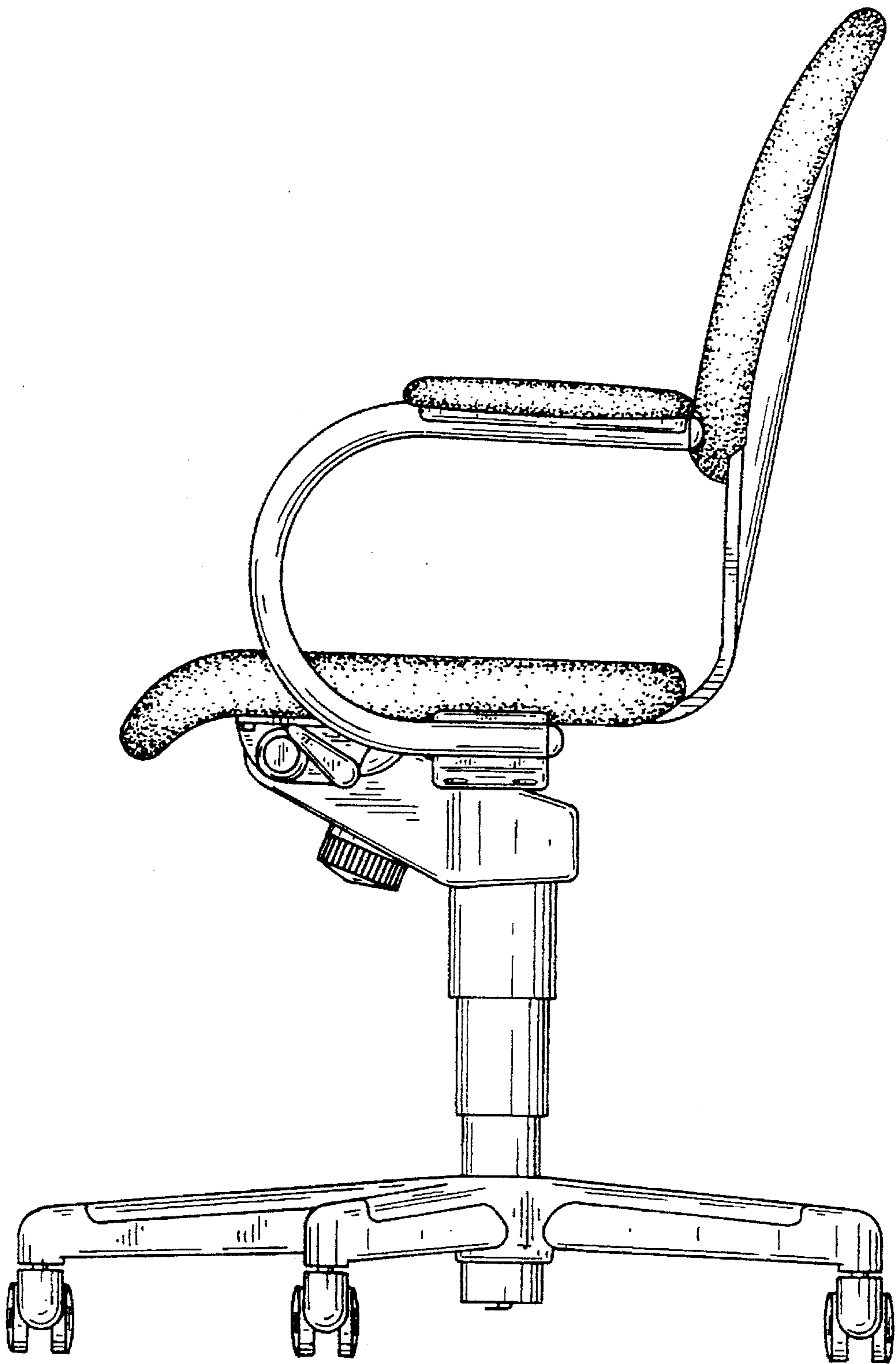


FIG. 5

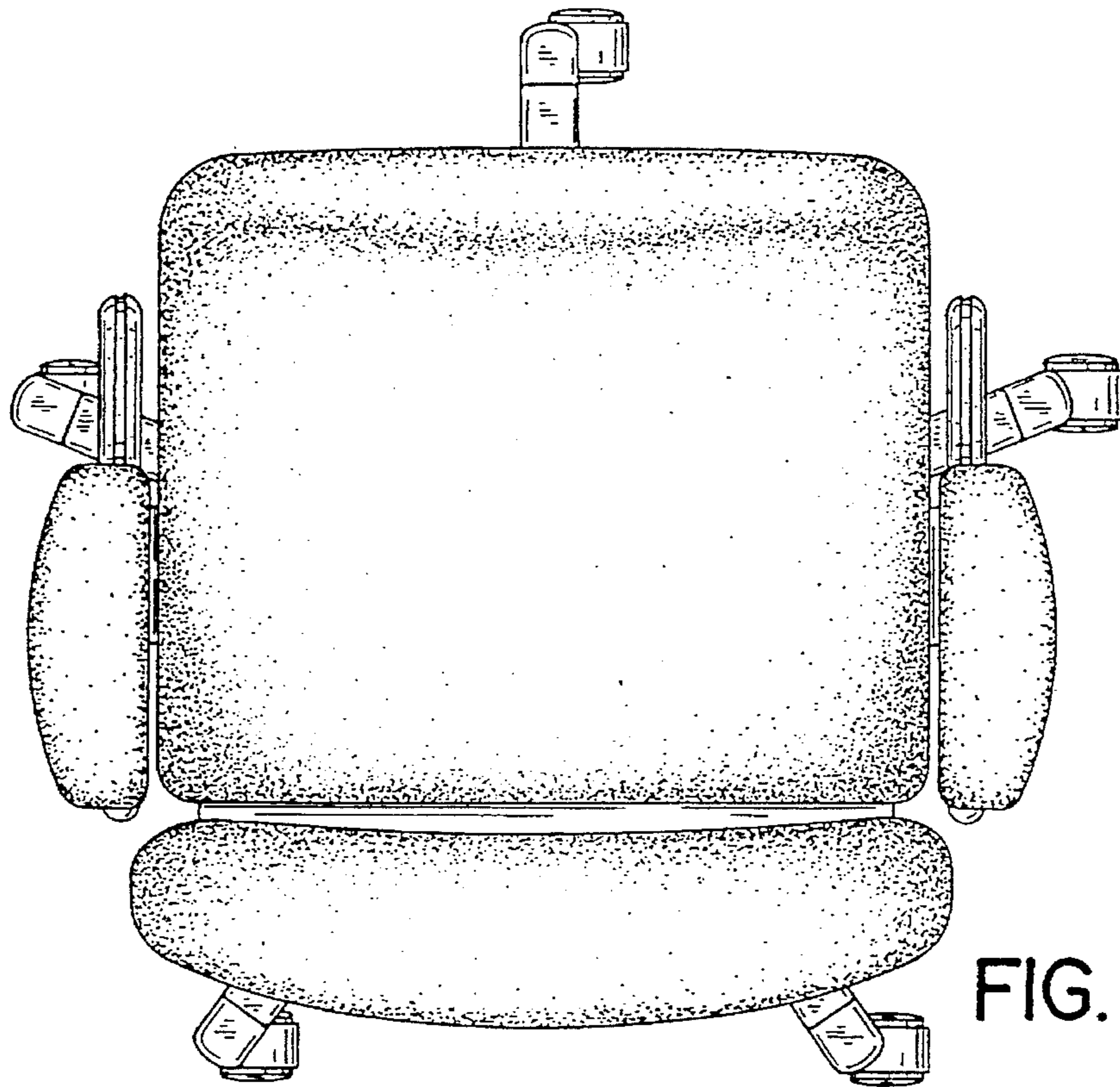


FIG. 6

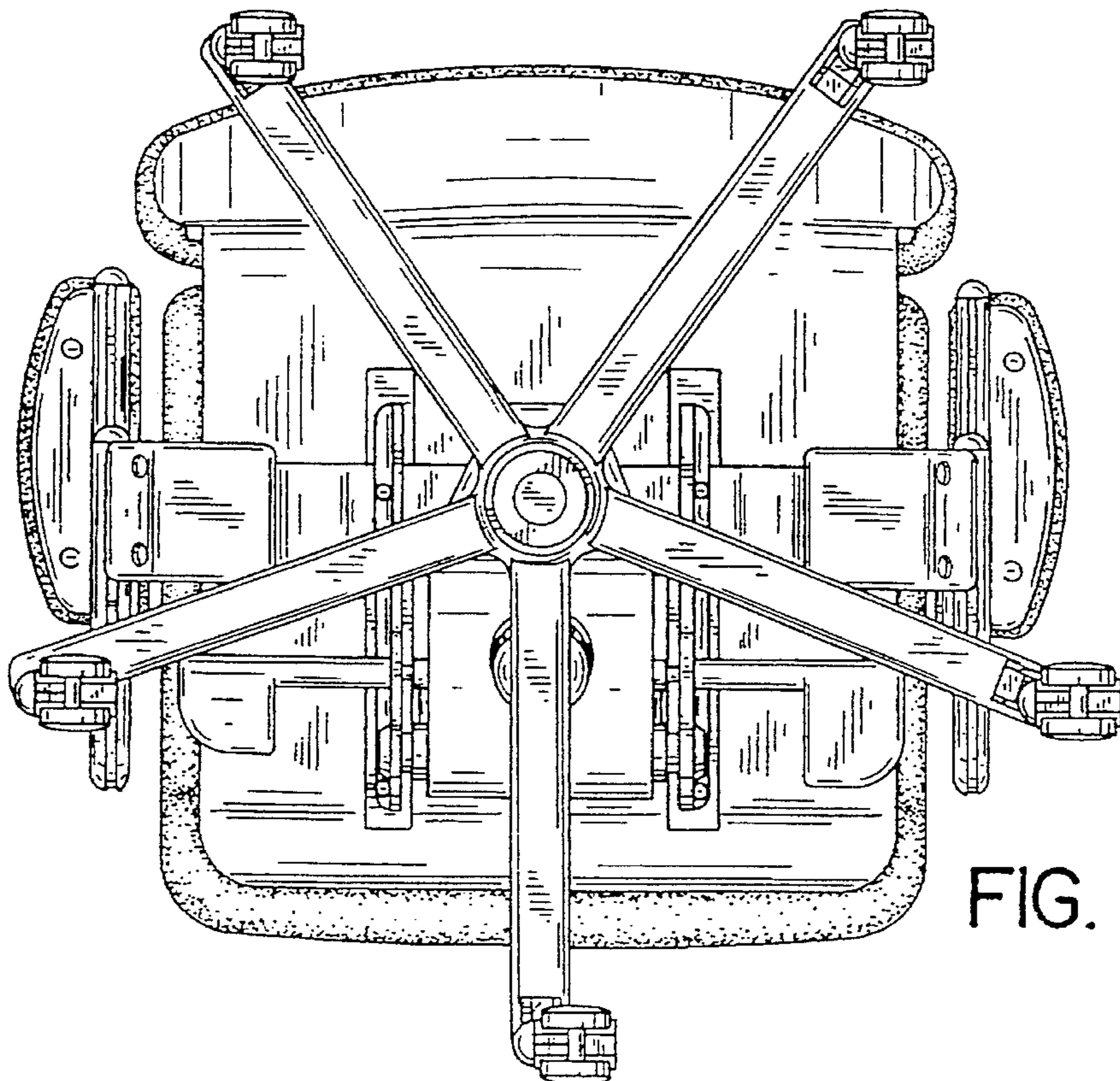


FIG. 7