



US00D369688S

**United States Patent** [19]  
**Dammerman**

[11] **Patent Number: Des. 369,688**  
[45] **Date of Patent: \*\*May 14, 1996**

[54] **CHAIR**

[75] Inventor: **Arnold B. Dammerman**, Grand Rapids, Mich.

[73] Assignee: **Steelcase, Inc.**, Grand Rapids, Mich.

[\*\*] Term: **14 Years**

[21] Appl. No.: **30,302**

[22] Filed: **Oct. 26, 1994**

[52] U.S. Cl. .... **D6/366**

[58] Field of Search ..... D6/334, 365, 366, D6/367, 374, 375, 500, 501, 502; 297/411.2

[56] **References Cited**

**U.S. PATENT DOCUMENTS**

- D. 198,452 6/1964 Baughman .
- D. 204,257 4/1966 Pollock .
- D. 233,809 12/1974 Platner .
- D. 238,913 2/1976 Rietz .
- D. 251,219 3/1979 Petersen .
- D. 252,060 6/1979 Prevost .
- D. 254,104 2/1980 Wilson .
- D. 257,412 10/1980 Wilson .
- D. 259,155 5/1981 Buhk .
- D. 259,750 7/1981 Buhk .
- D. 260,205 8/1981 Buhk .
- D. 267,371 12/1982 Lopez-Benitez .
- D. 267,838 2/1983 Buhk et al. .
- D. 267,989 2/1983 Buhk et al. .
- D. 267,990 2/1983 Buhk et al. .
- D. 273,640 5/1984 Pettit .
- D. 281,840 12/1985 Ogg .
- D. 282,221 1/1986 Planter .
- D. 282,222 1/1986 Planter .
- D. 288,387 2/1987 Ochsner .
- D. 288,872 3/1987 Schultz ..... D6/366
- D. 297,986 10/1986 Jenkins .
- D. 303,888 10/1989 Stafford .
- D. 304,654 11/1989 Stafford .
- D. 313,703 1/1991 Moschini et al. .
- D. 318,184 7/1991 Muller-Deisig et al. .
- D. 318,763 8/1991 George et al. .
- D. 320,507 10/1991 Shields .

- D. 321,993 12/1991 Zagaroli et al. .
- D. 327,585 7/1992 Hollington .
- D. 330,810 11/1992 Stafford .
- D. 348,786 7/1994 Tolleson et al. .... D6/366
- D. 354,178 1/1995 Ochsner ..... D6/366
- D. 357,130 4/1995 Schultz ..... D6/366

**OTHER PUBLICATIONS**

Interiors Dec. 1979, p. 20, Samsonite chair at top center.  
Design, Aug. 1982, p. 16, Sedus chair at bottom left.  
Interiors, Jun. 1985, p. 39, Gunlocke chair shown.

*Primary Examiner*—Gary D. Watson  
*Attorney, Agent, or Firm*—Price, Heneveld, Cooper, DeWitt & Litton

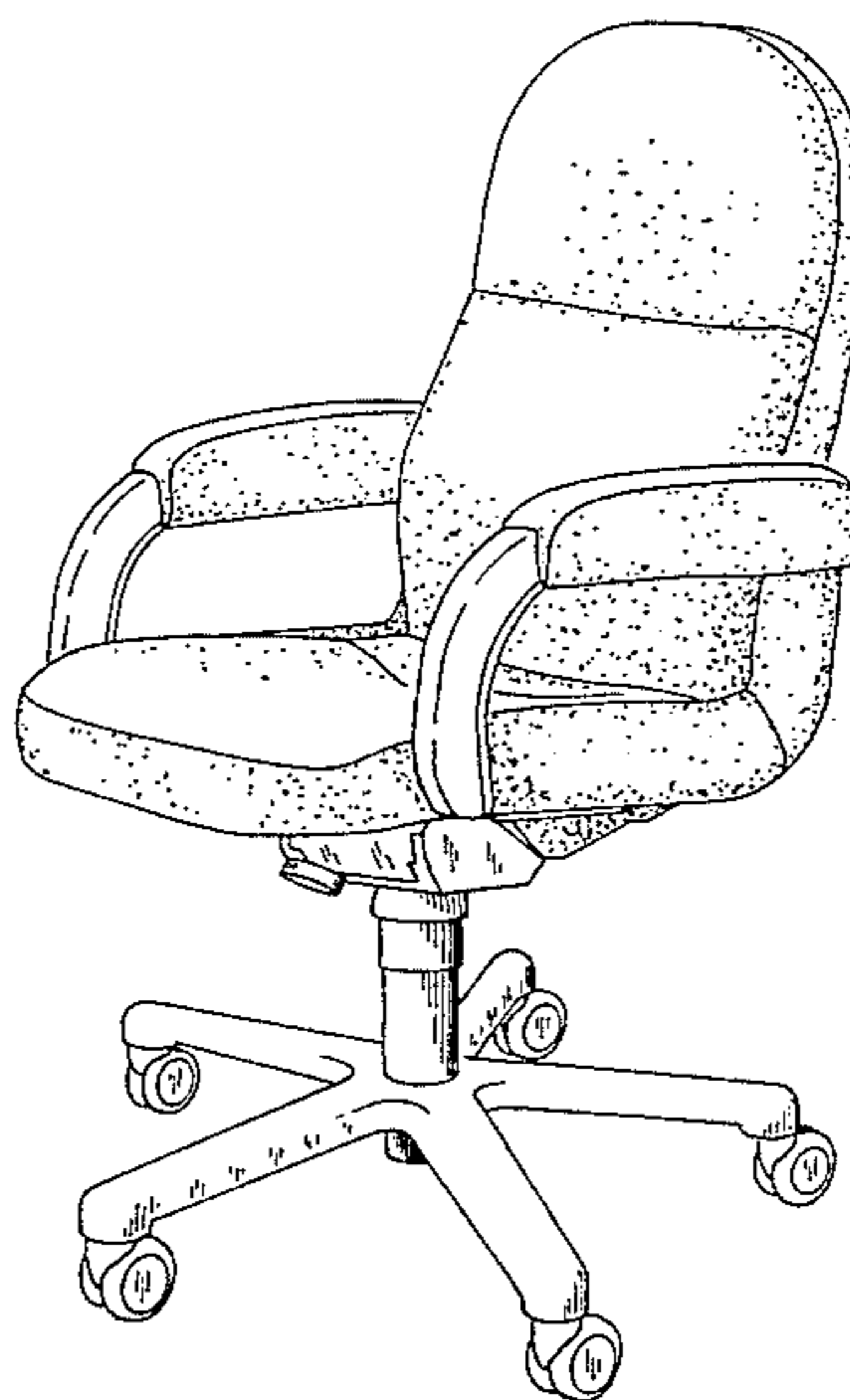
[57] **CLAIM**

The ornamental design for the chair, as shown and described.

**DESCRIPTION**

FIG. 1 is a front perspective view of the chair design of the present invention;  
FIG. 2 is a rear perspective view;  
FIG. 3 is a left side elevational view;  
FIG. 4 is a front elevational view;  
FIG. 5 is a rear elevational view;  
FIG. 6 is a top plan view;  
FIG. 7 is a bottom plan view thereof;  
FIG. 8 is a front perspective view of a second embodiment of the chair design of the present invention;  
FIG. 9 is a left side elevational view;  
FIG. 10 is a front elevational view thereof;  
FIG. 11 is a front perspective view of a third embodiment of the chair design of the present invention;  
FIG. 12 is a left side elevational view;  
FIG. 13 is a front elevational view thereof;  
FIG. 14 is a bottom view of the second embodiment shown in FIG. 8; and,  
FIG. 15 is a bottom view of the third embodiment shown in FIG. 11.

**1 Claim, 8 Drawing Sheets**



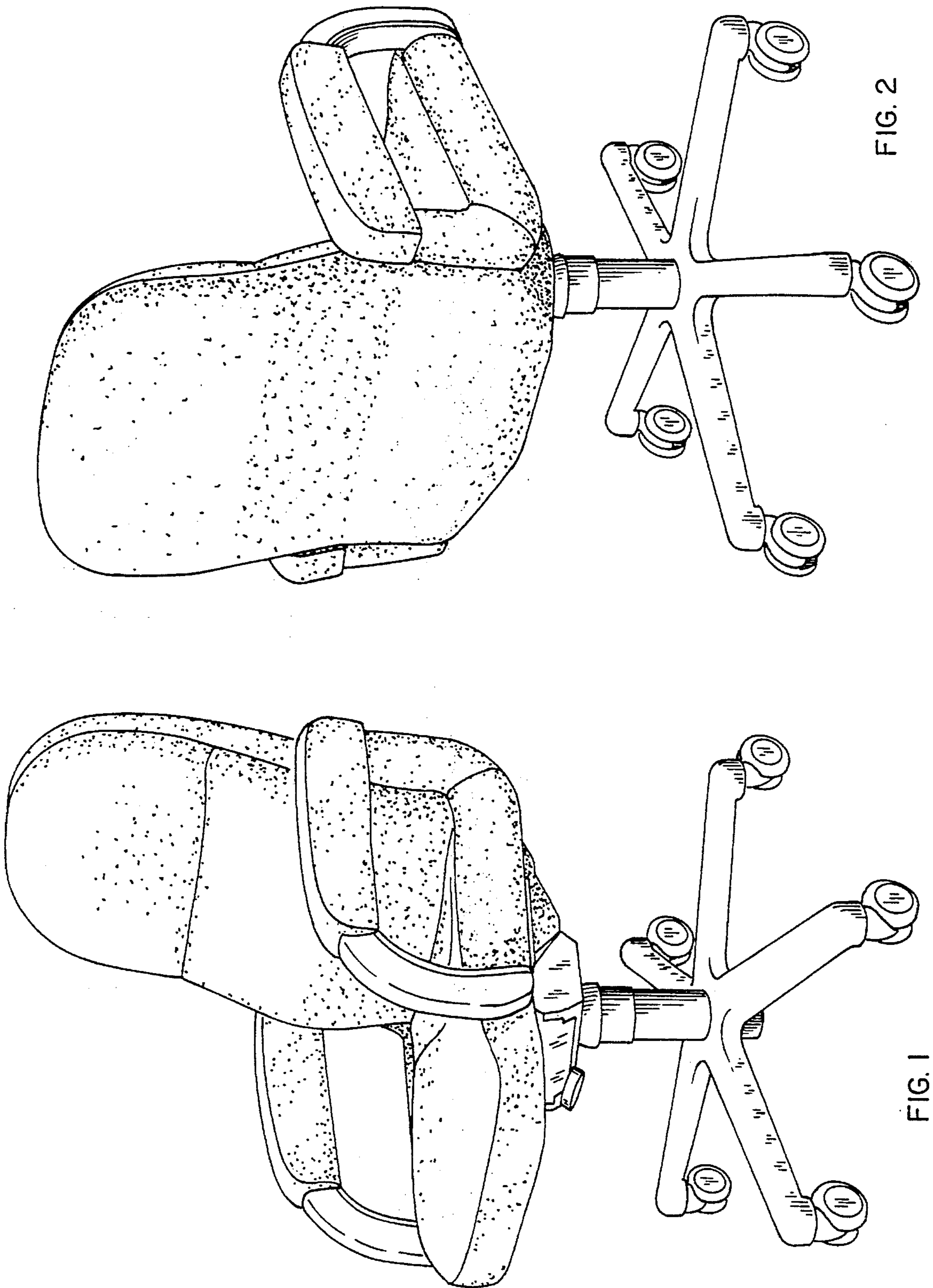


FIG. 2

FIG. 1

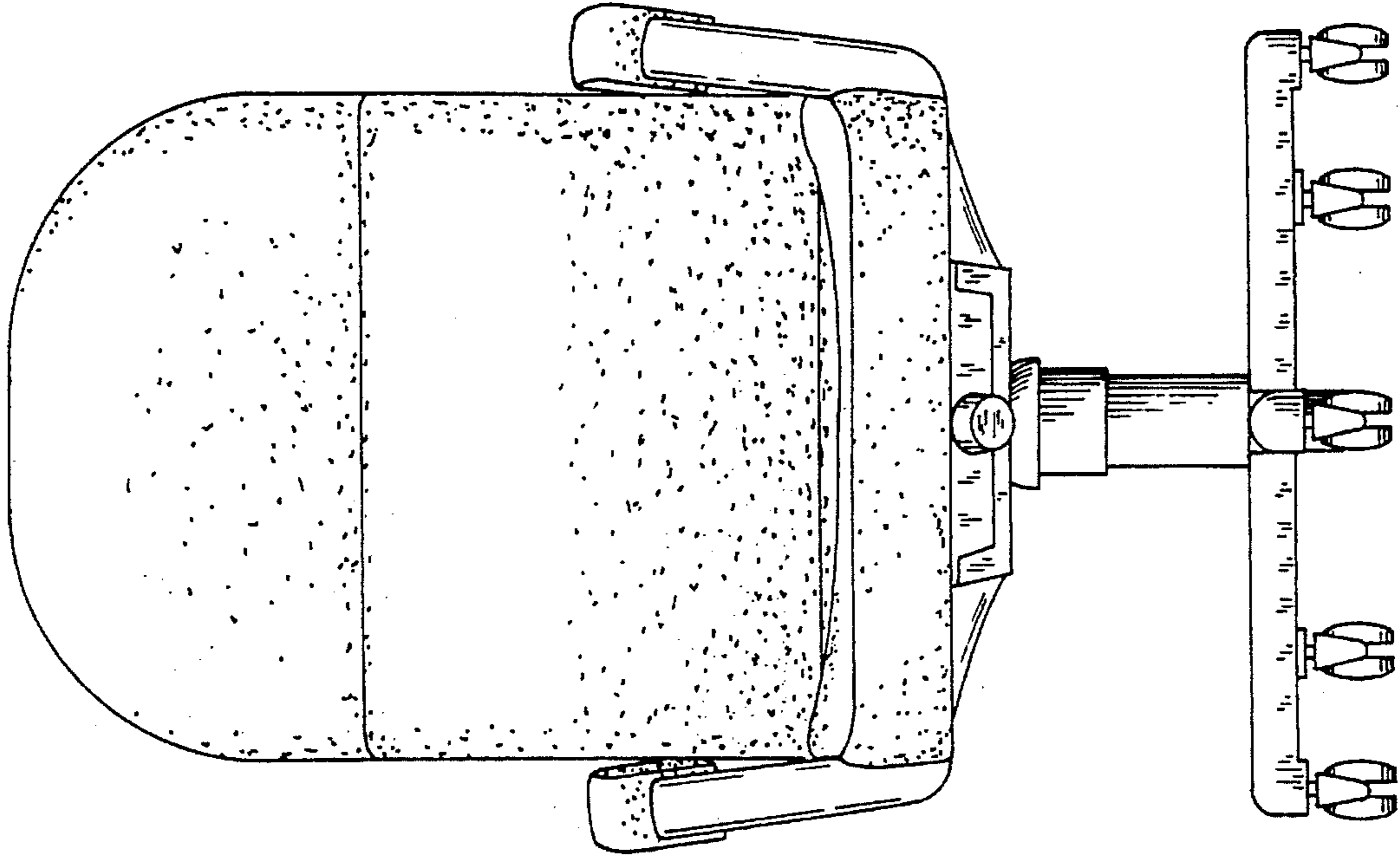


FIG. 4

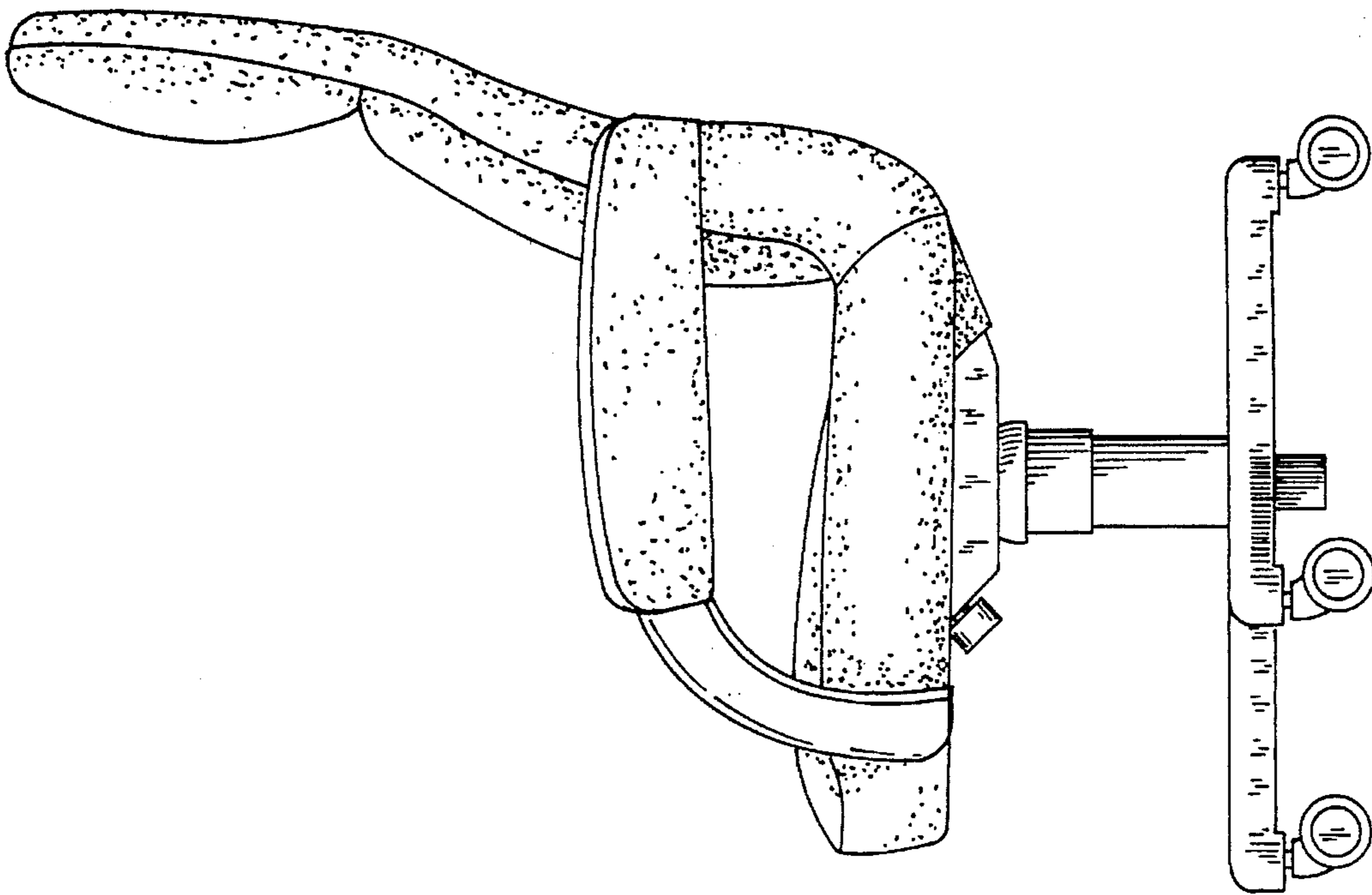


FIG. 3

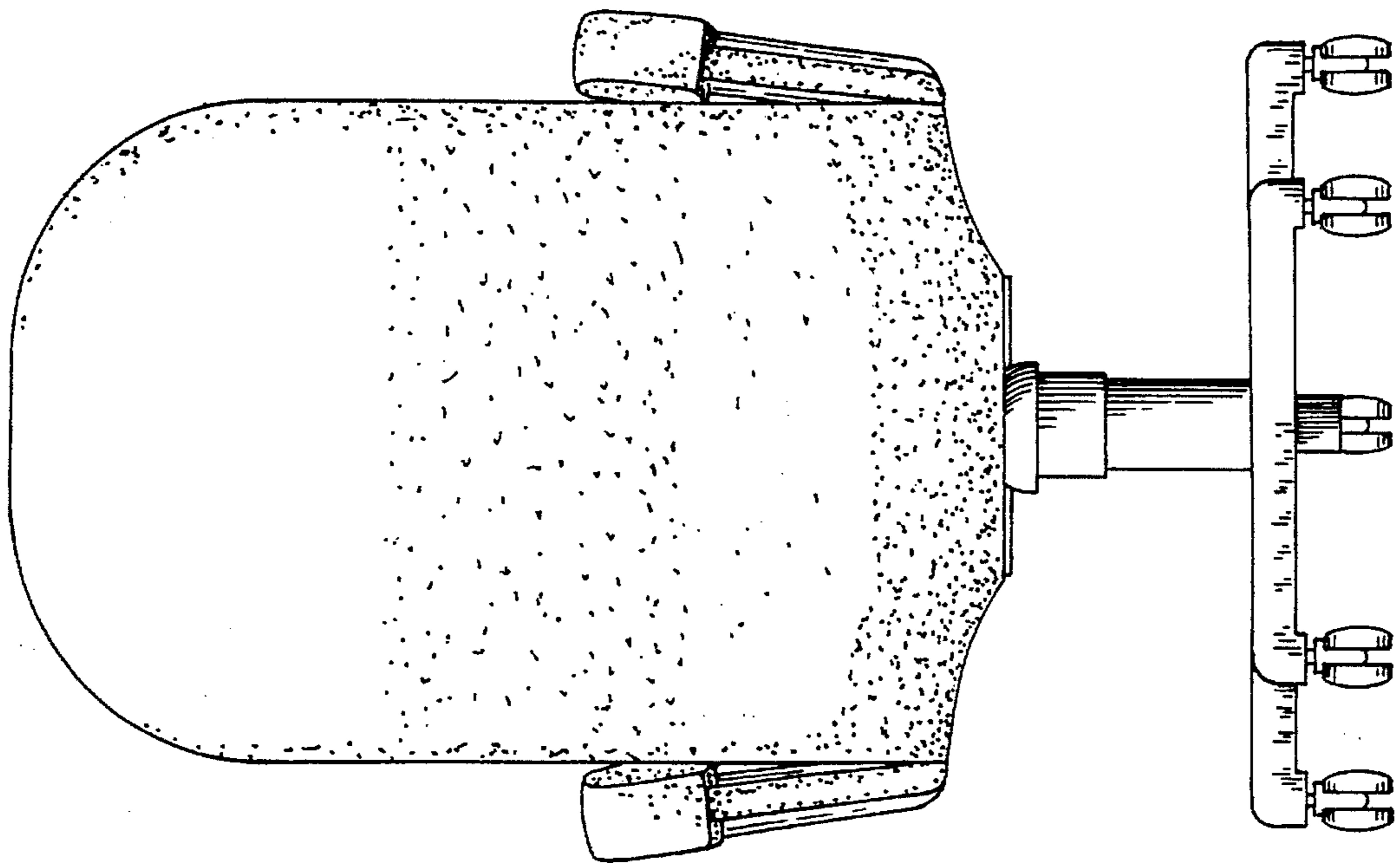


FIG. 5

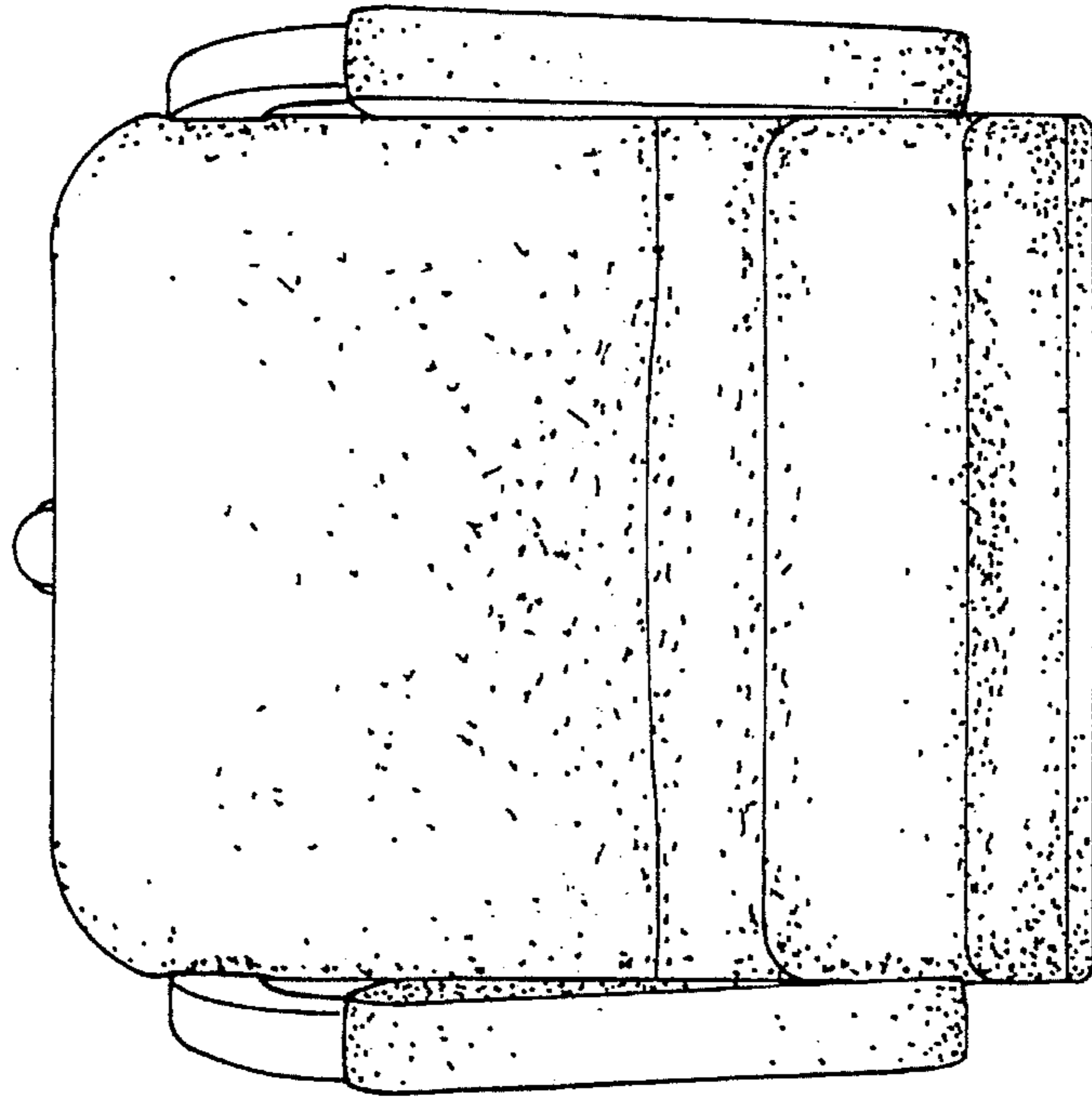


FIG. 6

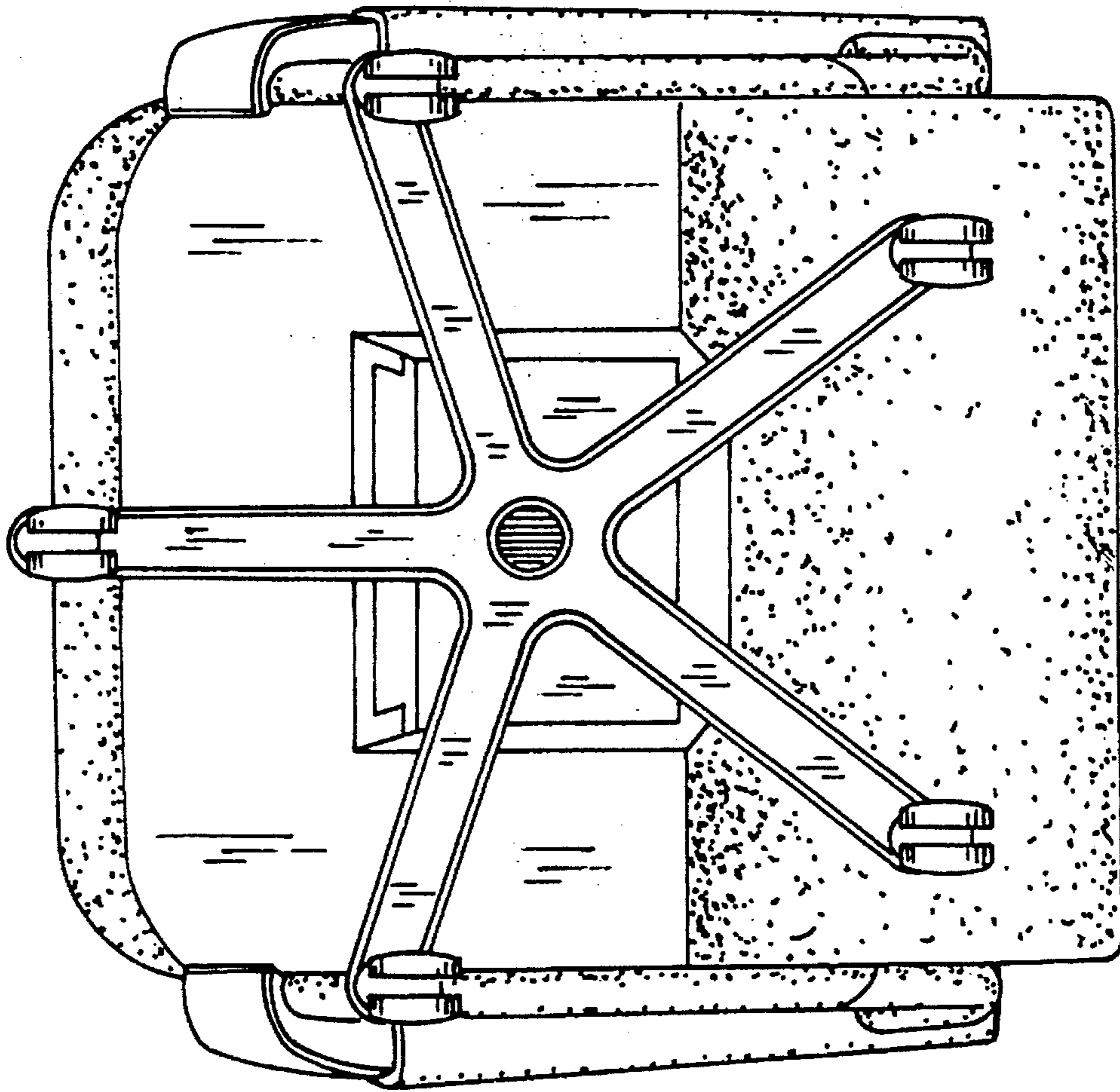


FIG. 7

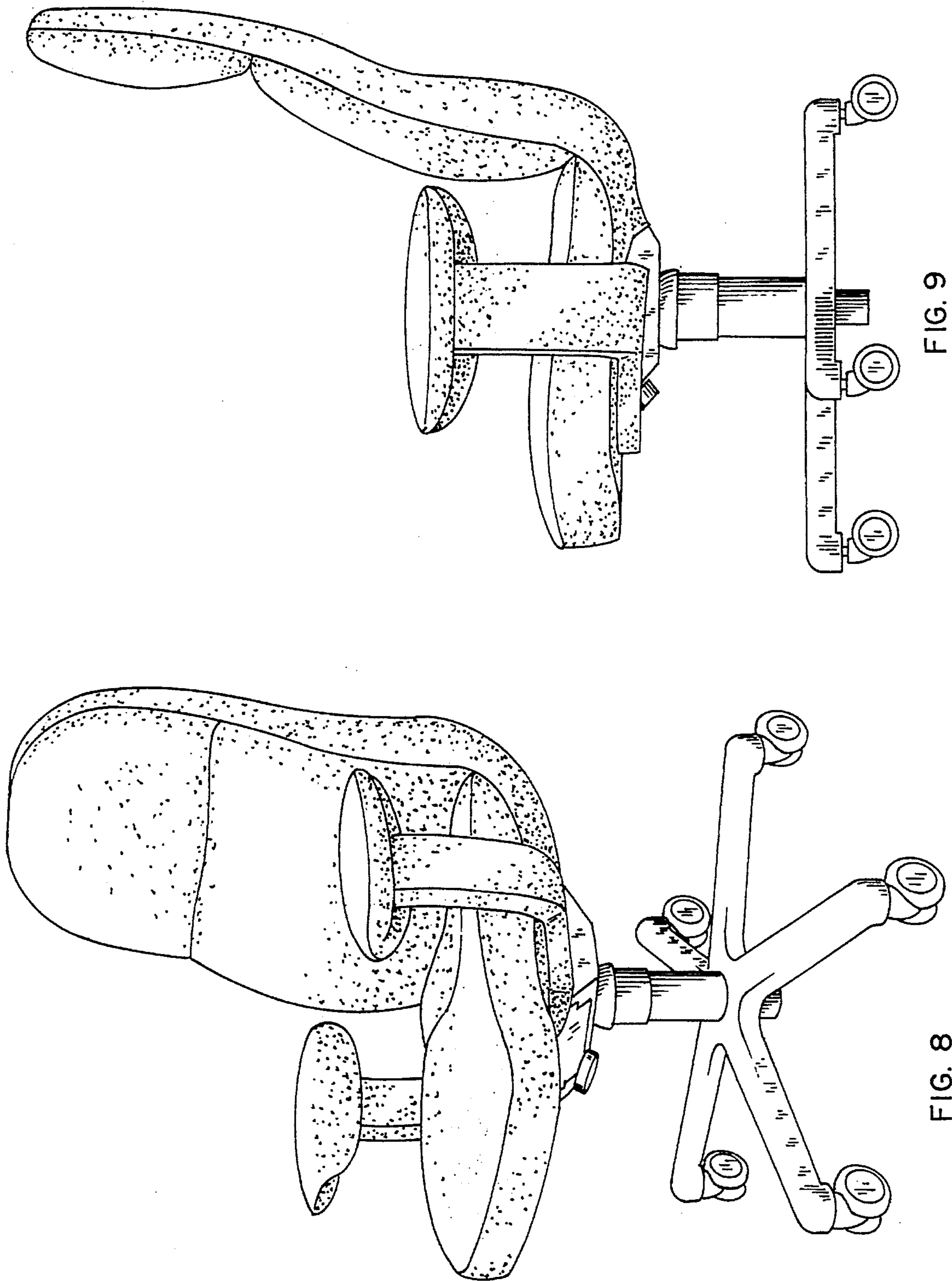


FIG. 9

FIG. 8

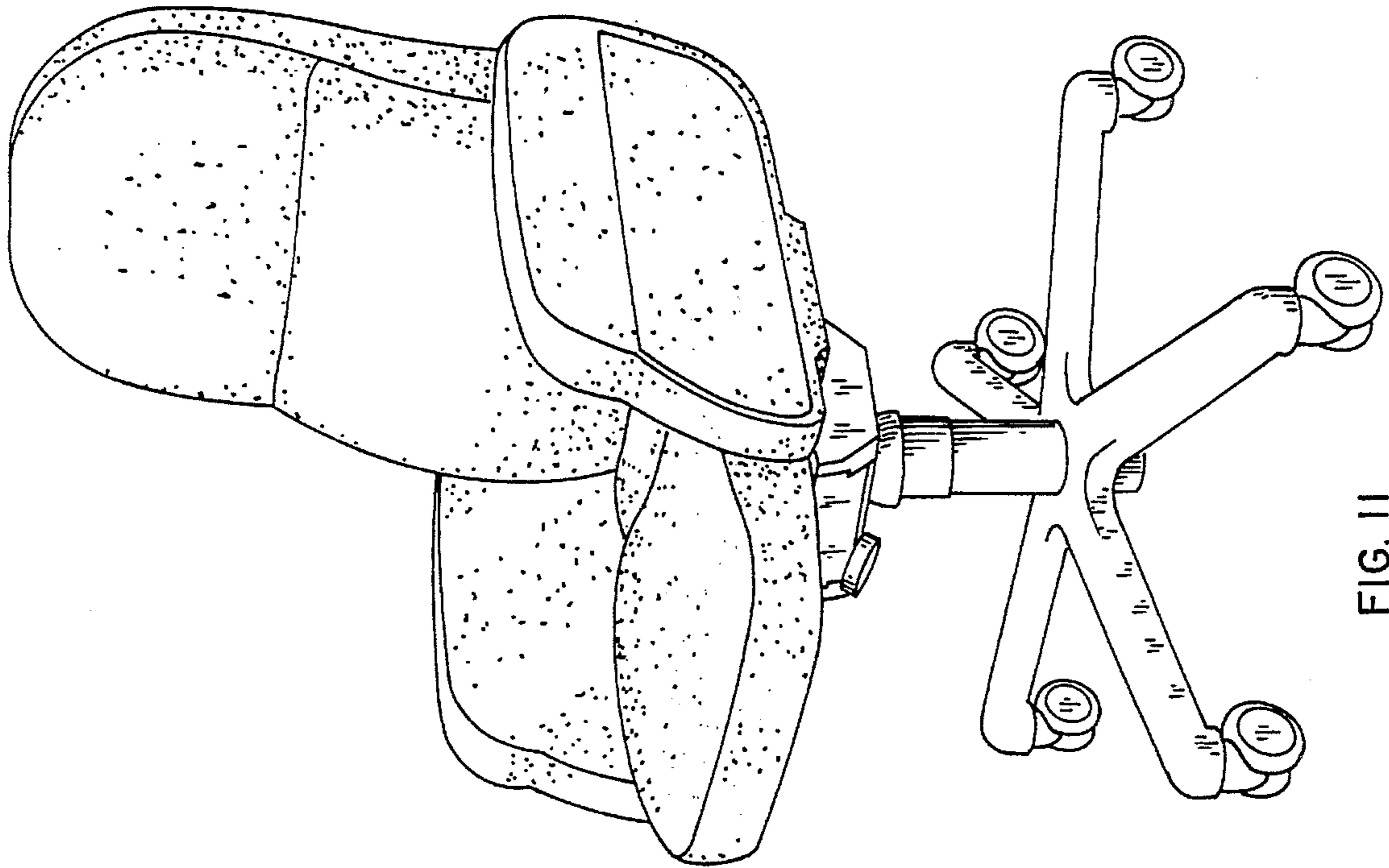


FIG. 11

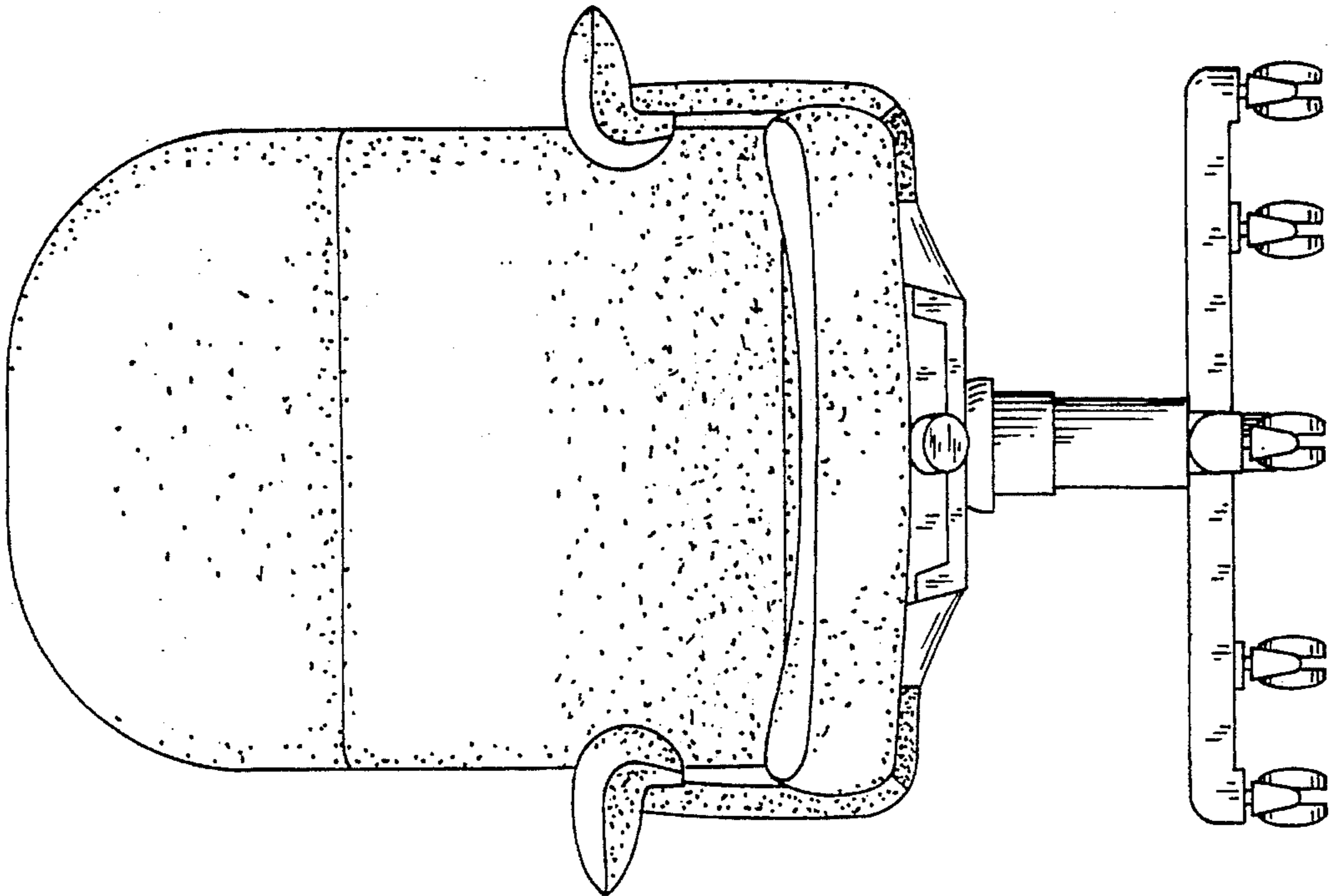


FIG. 10

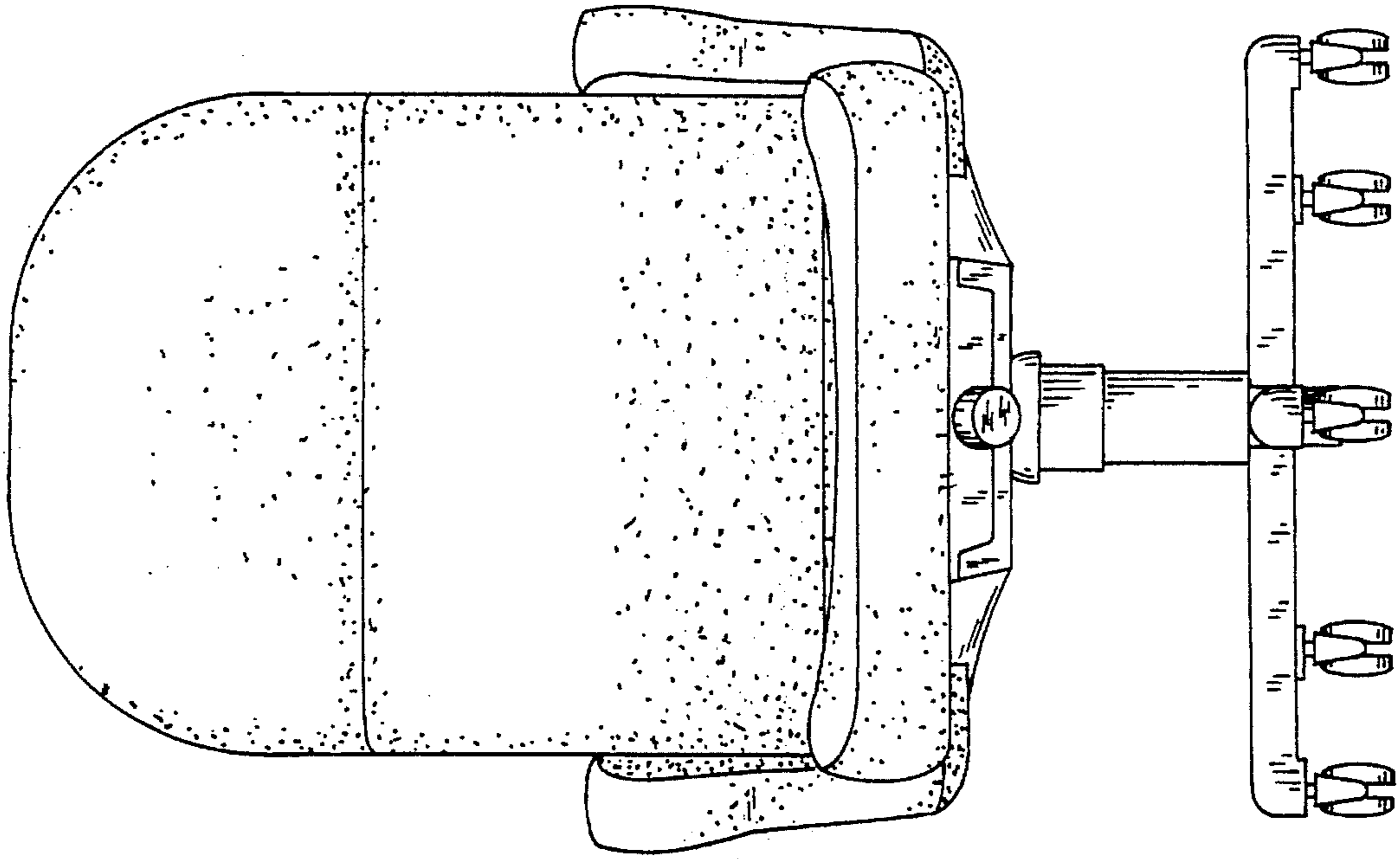


FIG. 13

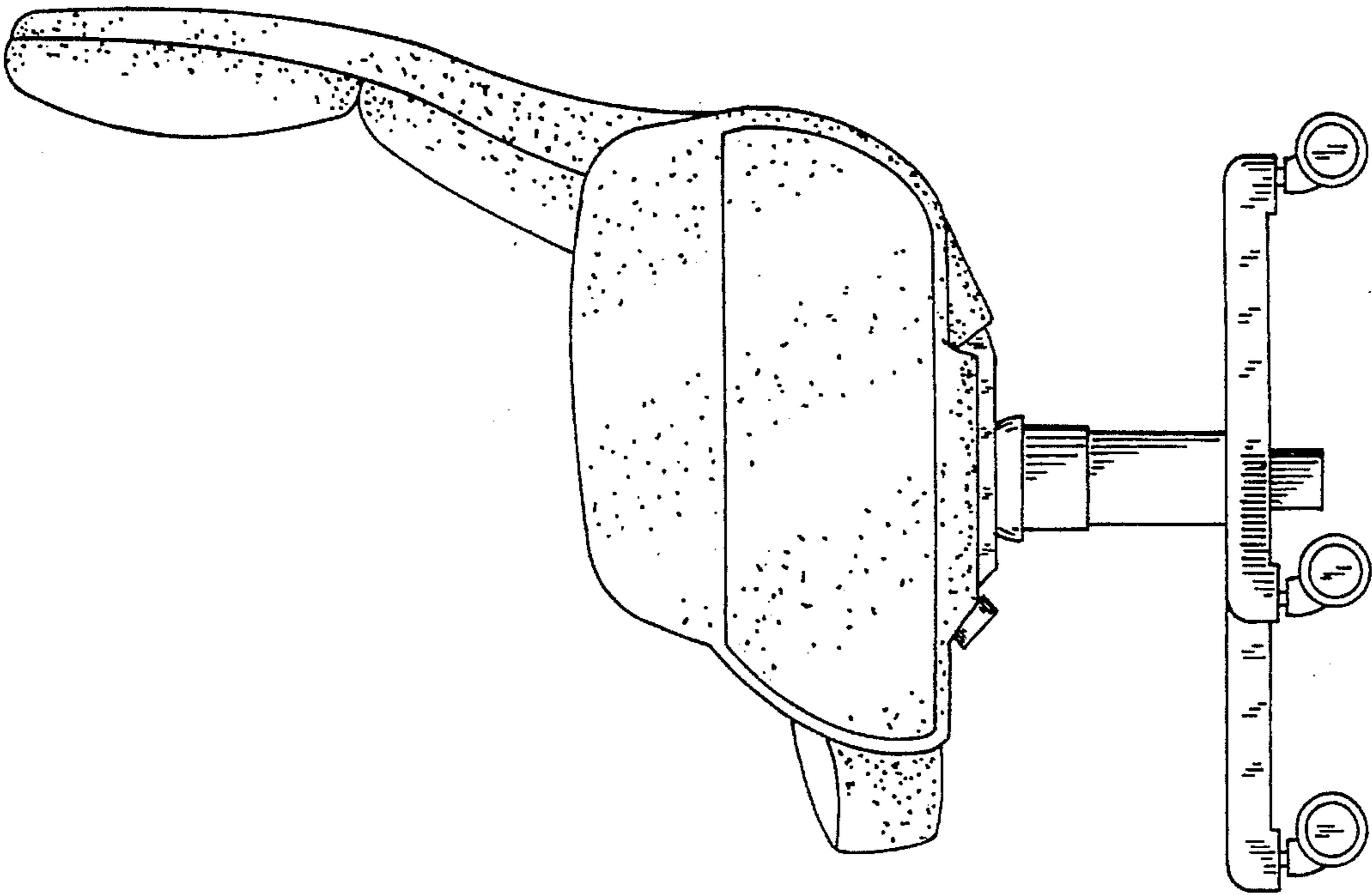


FIG. 12



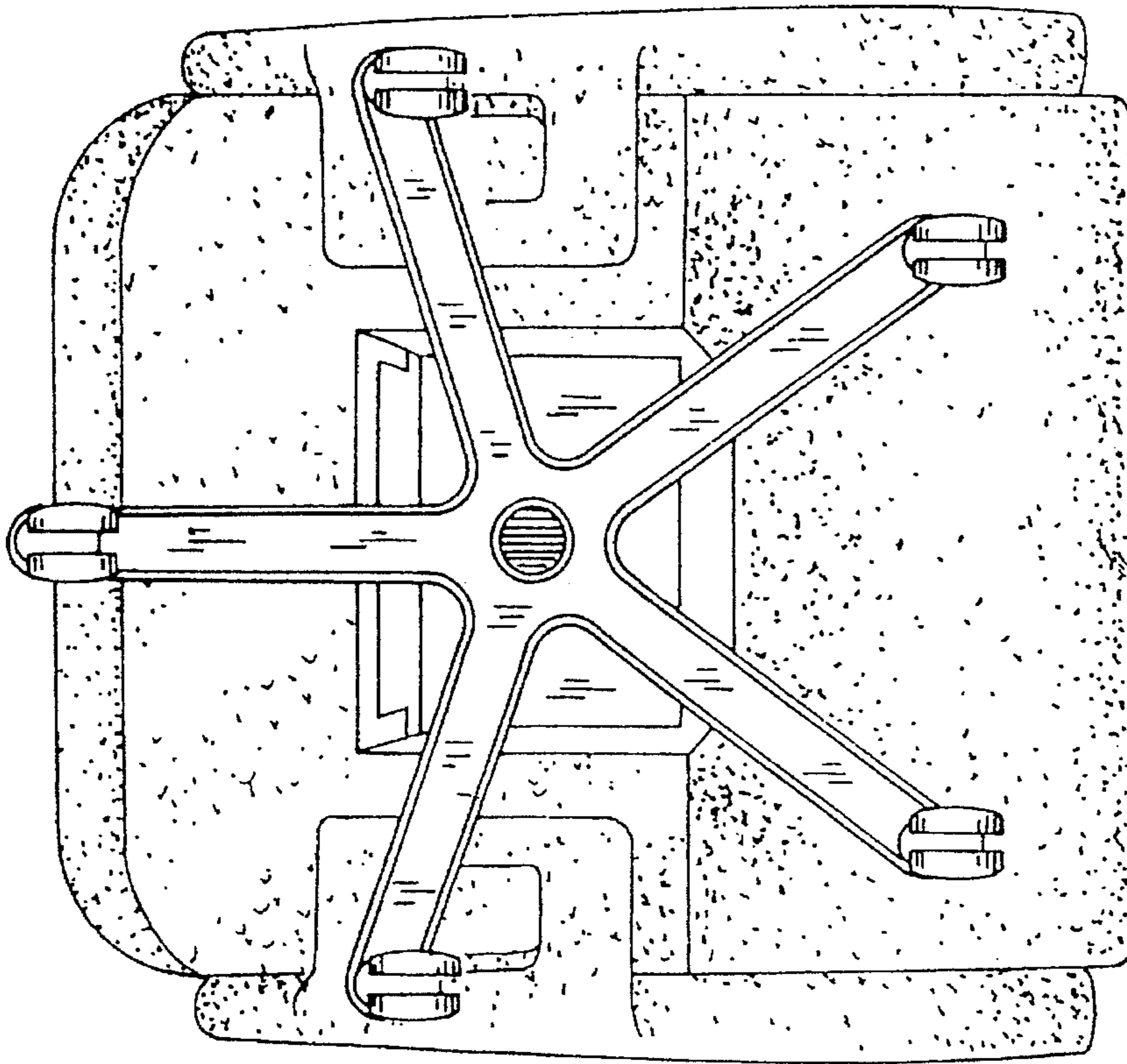


FIG. 15

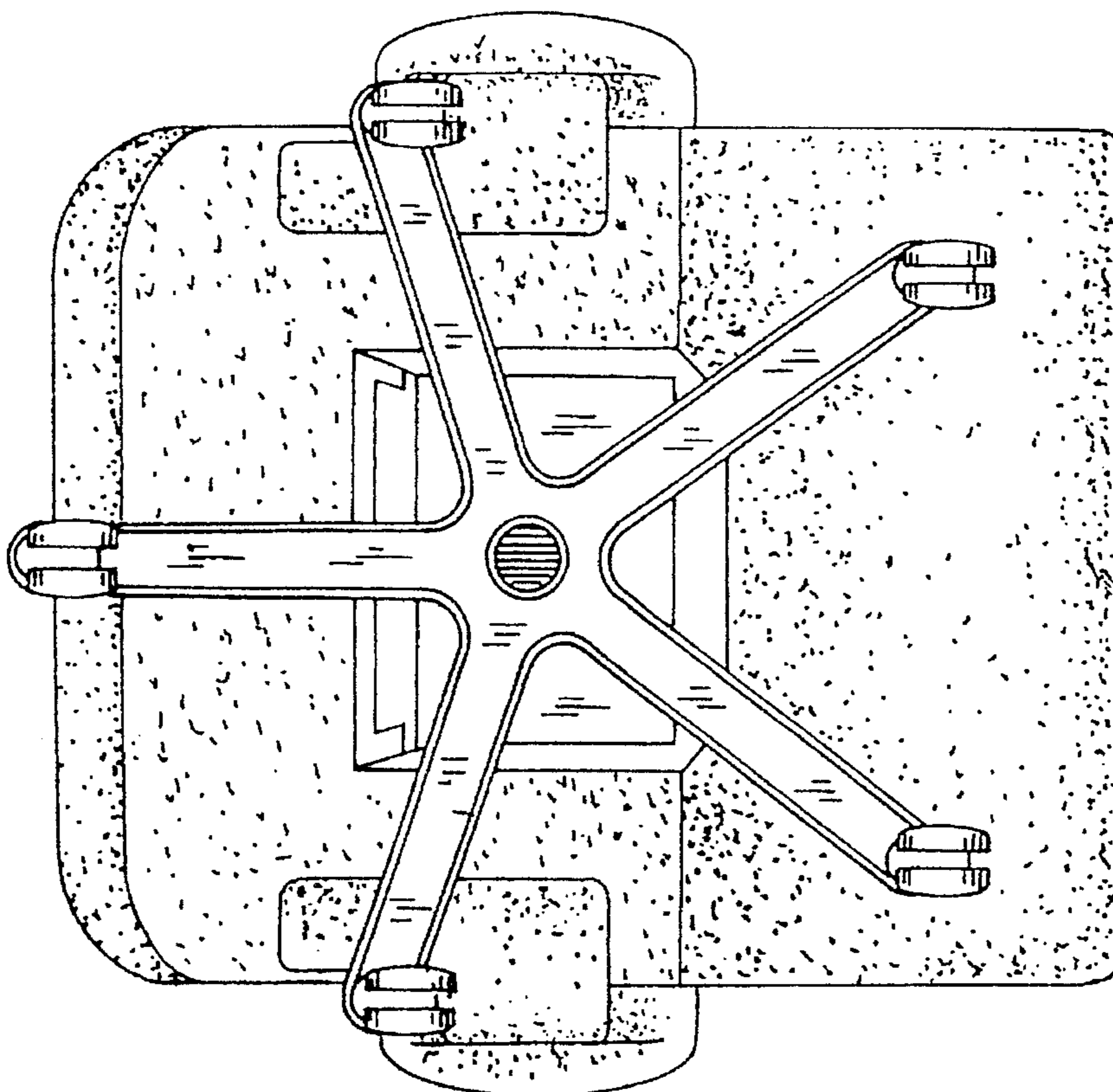


FIG. 14