



US00D369685S

# United States Patent [19]

[11] Patent Number: **Des. 369,685**

Meeker et al.

[45] Date of Patent: **\*\*\* May 14, 1996**

- [54] **CHILD'S EXERCISER/ROCKER**
- [75] Inventors: **Paul K. Meeker**, Hiram; **William R. Gibson**, Canton; **STEVE Courtney**, Troy, all of Ohio
- [73] Assignee: **Lisco, Inc.**, Tampa, Fla.
- [\*] Notice: The portion of the term of this patent subsequent to Feb. 28, 2009, has been disclaimed.
- [\*\*] Term: **14 Years**
- [21] Appl. No.: **29,366**
- [22] Filed: **Oct. 3, 1994**
- [52] U.S. Cl. .... **D6/344; D21/66; D21/247**
- [58] Field of Search ..... **D21/59, 66, 247; D6/334, 344; 472/15, 135**

D. 256,141	7/1980	Lubbe	.....	D21/66
D. 265,218	6/1982	Robinett	.....	D21/66
D. 355,939	2/1995	Meeker et al.	.....	D21/66
3,380,735	4/1968	Rigby	.....	472/135 X
4,084,273	4/1978	Haynes	.....	D21/66 X

Primary Examiner—Dominic Simone

### [57] CLAIM

The ornamental design of a child's exerciser/rocker, as shown and described.

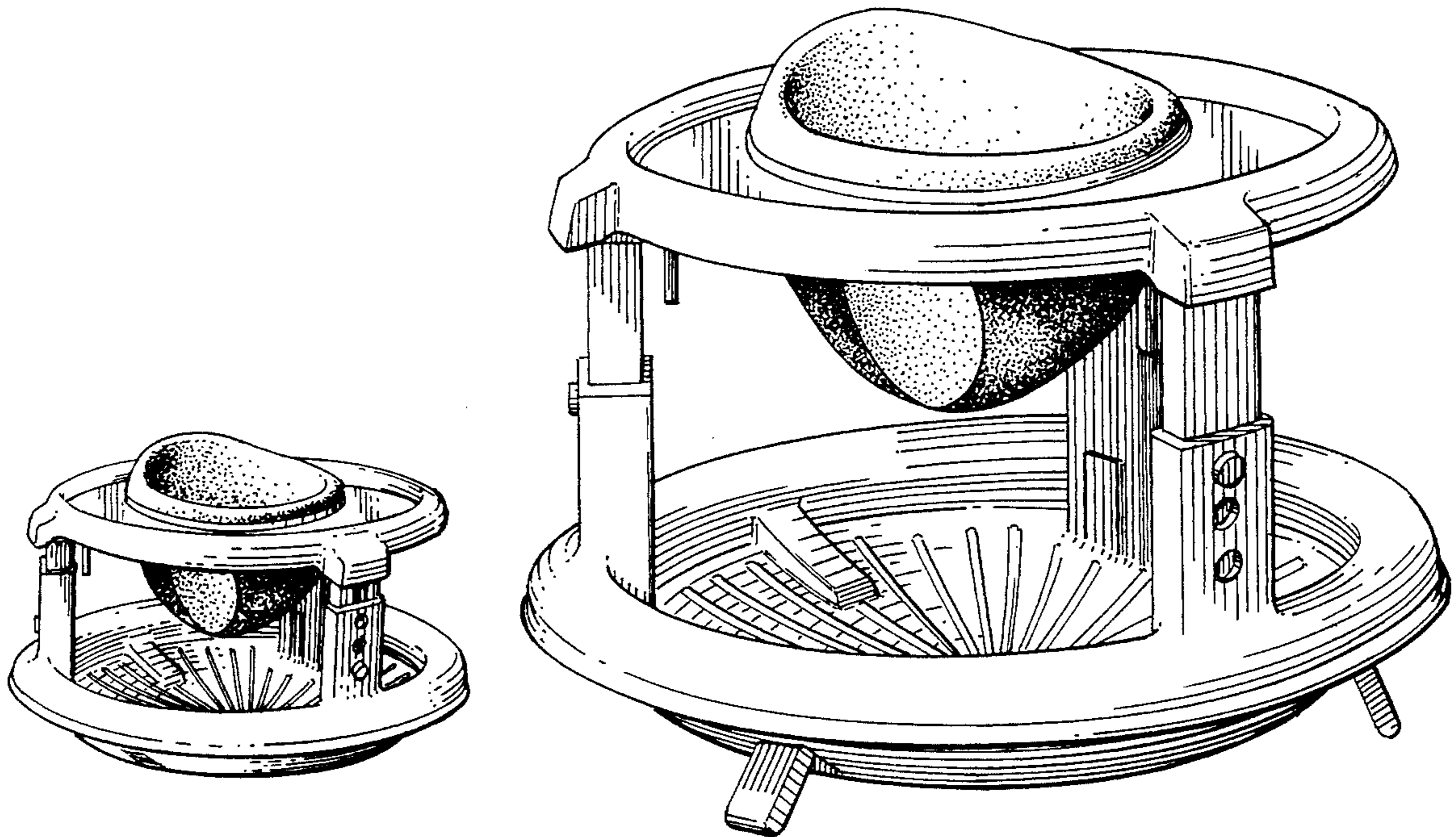
### DESCRIPTION

FIG. 1 is a perspective view of the child's exerciser/rocker showing our new design;  
 FIG. 2 is a top plan view thereof;  
 FIG. 3 is a left side view thereof;  
 FIG. 4 is a front view thereof;  
 FIG. 5 is a bottom view thereof; and  
 FIG. 6 is a rear view thereof; and,  
 FIG. 7 is a perspective view showing the seat in its highest position and the stationary feet extended thereof.  
 The right side view is a mirror image of the left side view.

[56] **References Cited**  
 U.S. PATENT DOCUMENTS

D. 176,008 11/1955 Blaker ..... D21/247

**1 Claim, 2 Drawing Sheets**



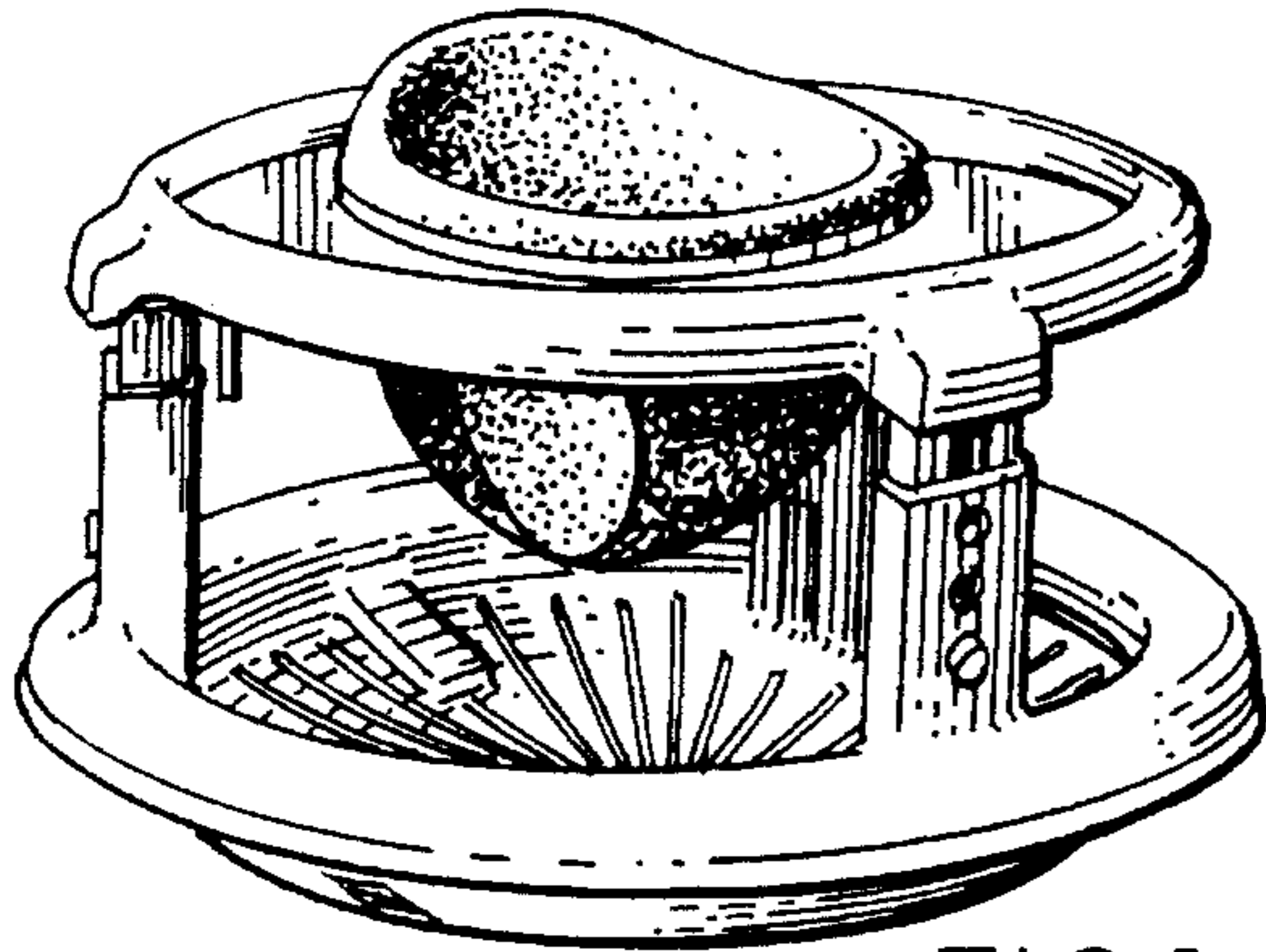


FIG. 1

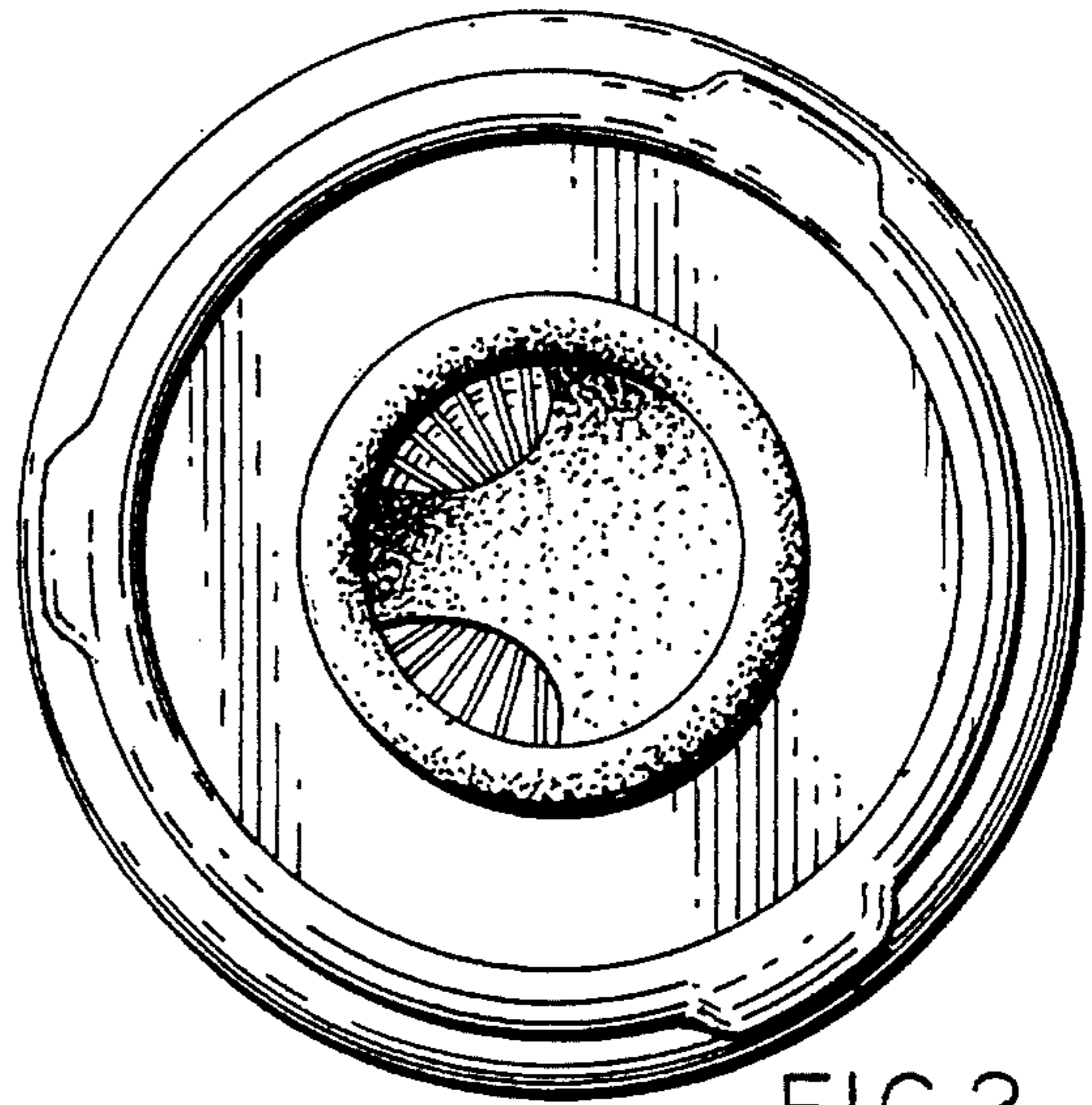


FIG. 2

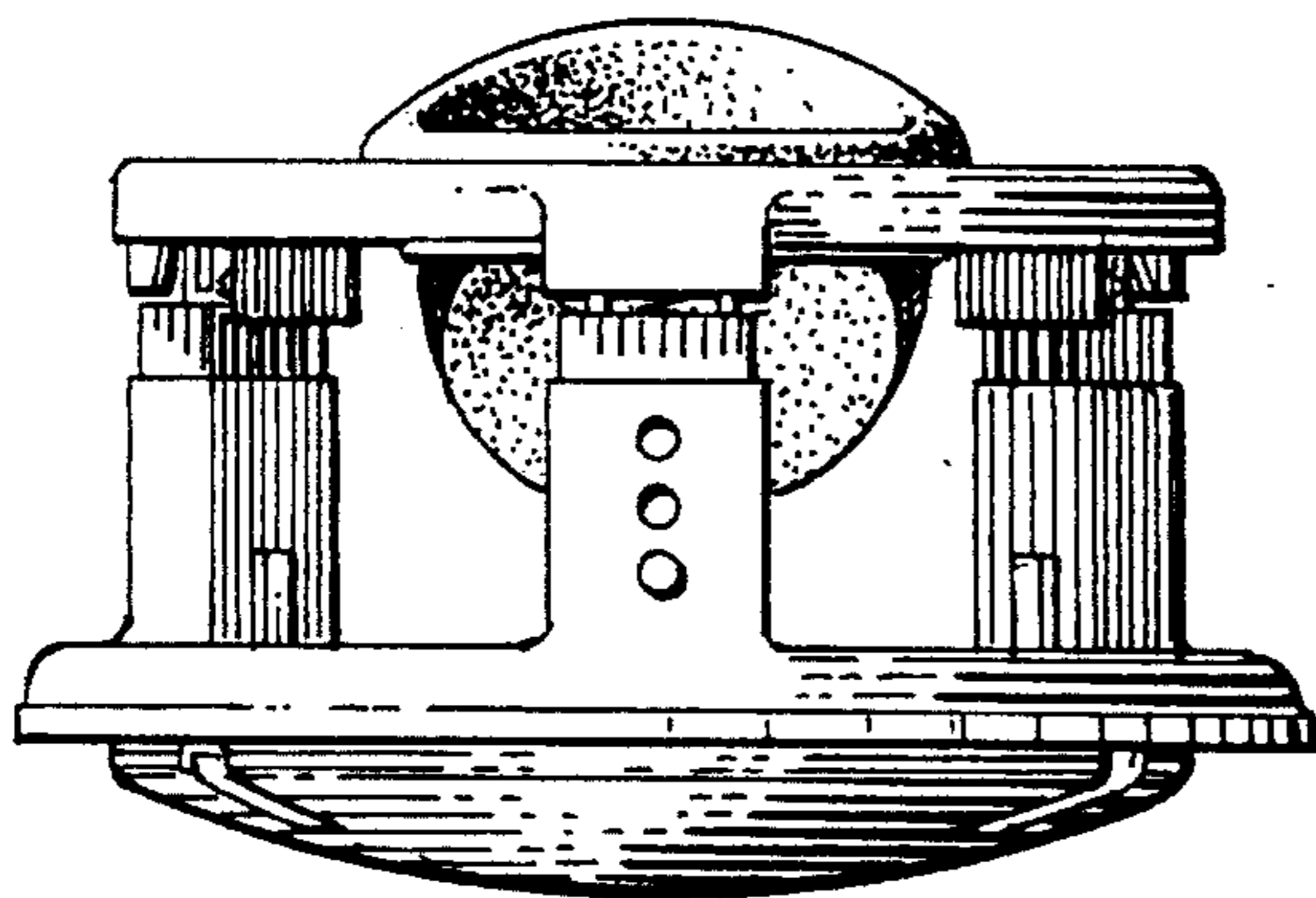


FIG. 4

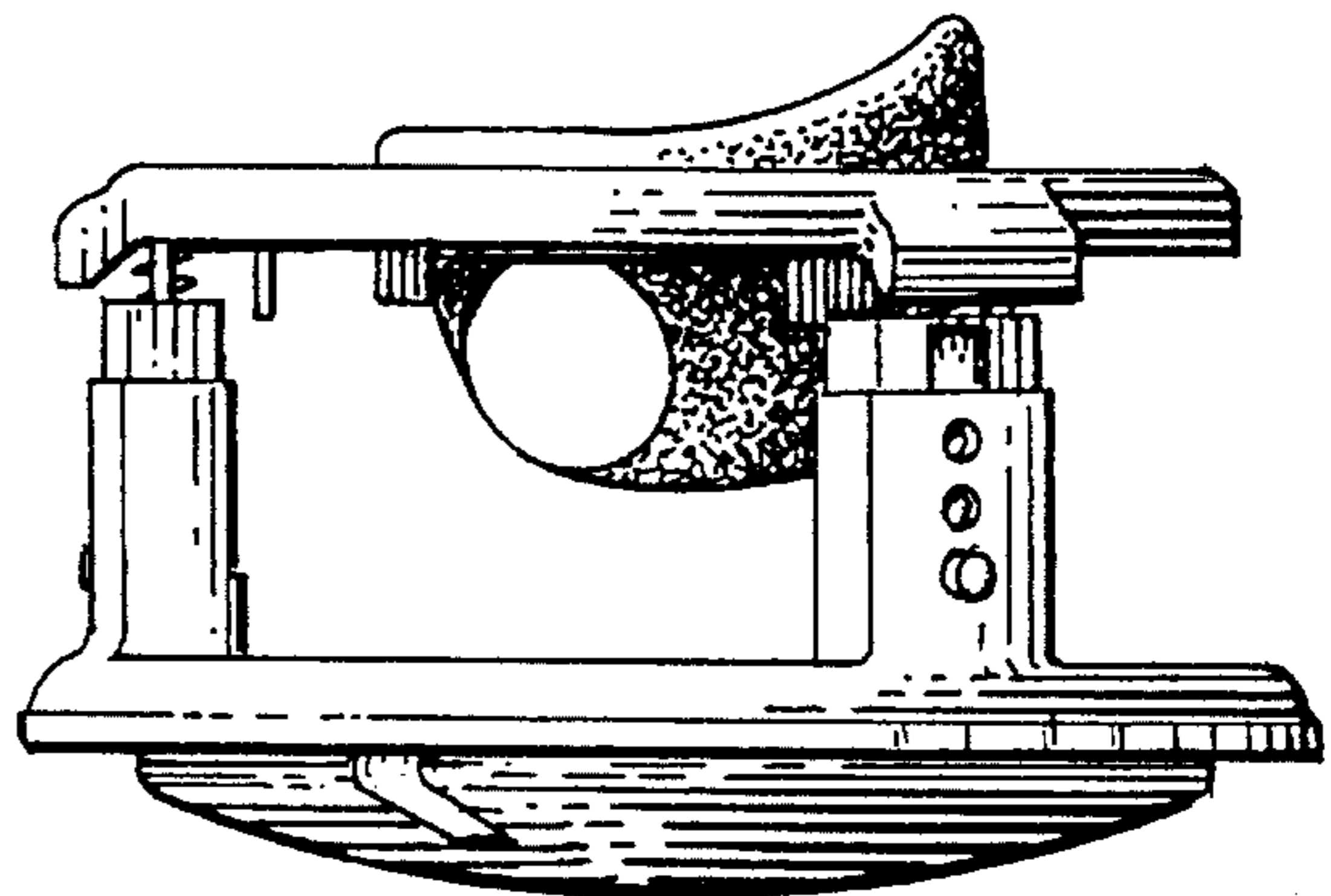


FIG. 3

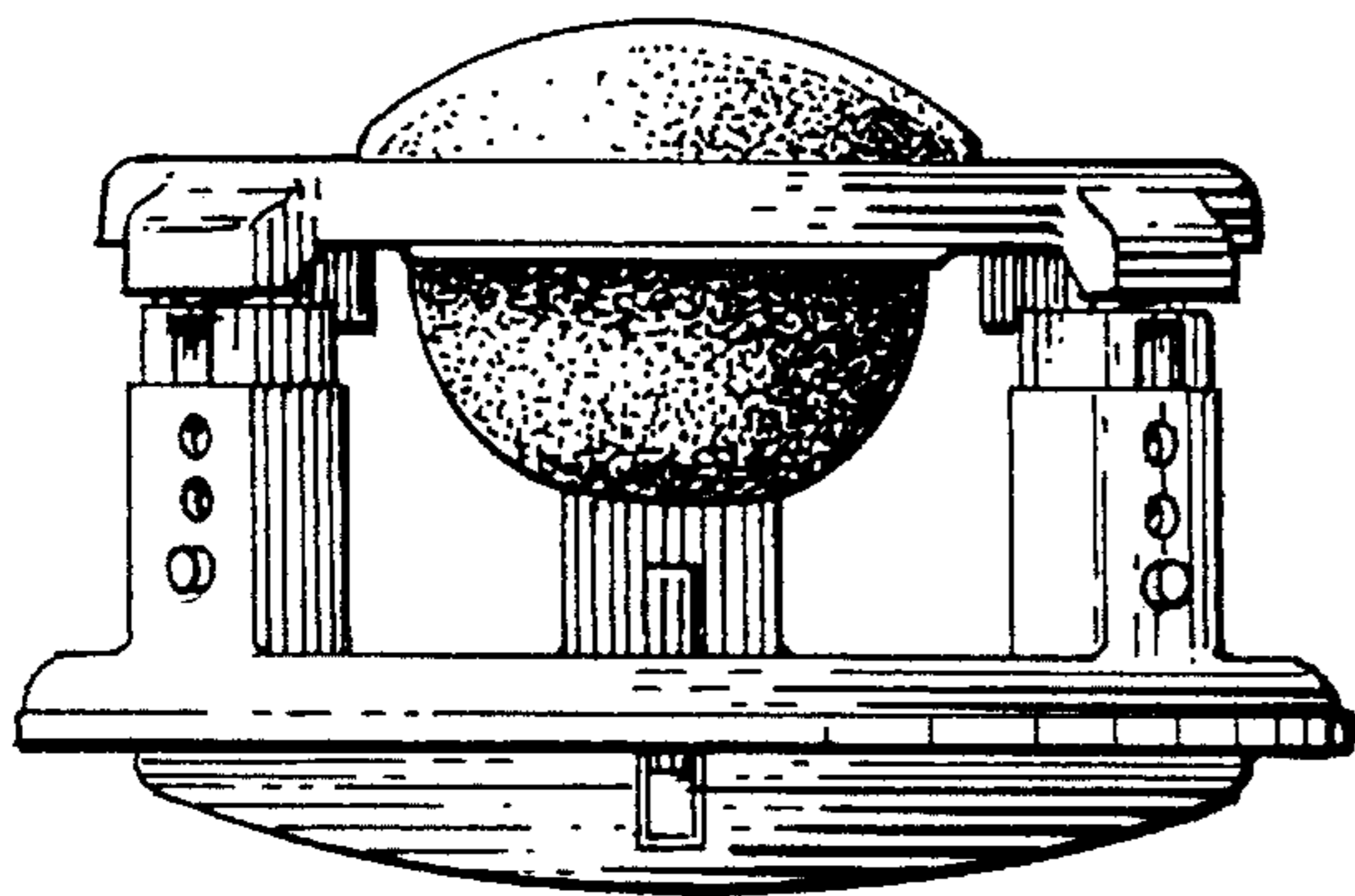


FIG. 6

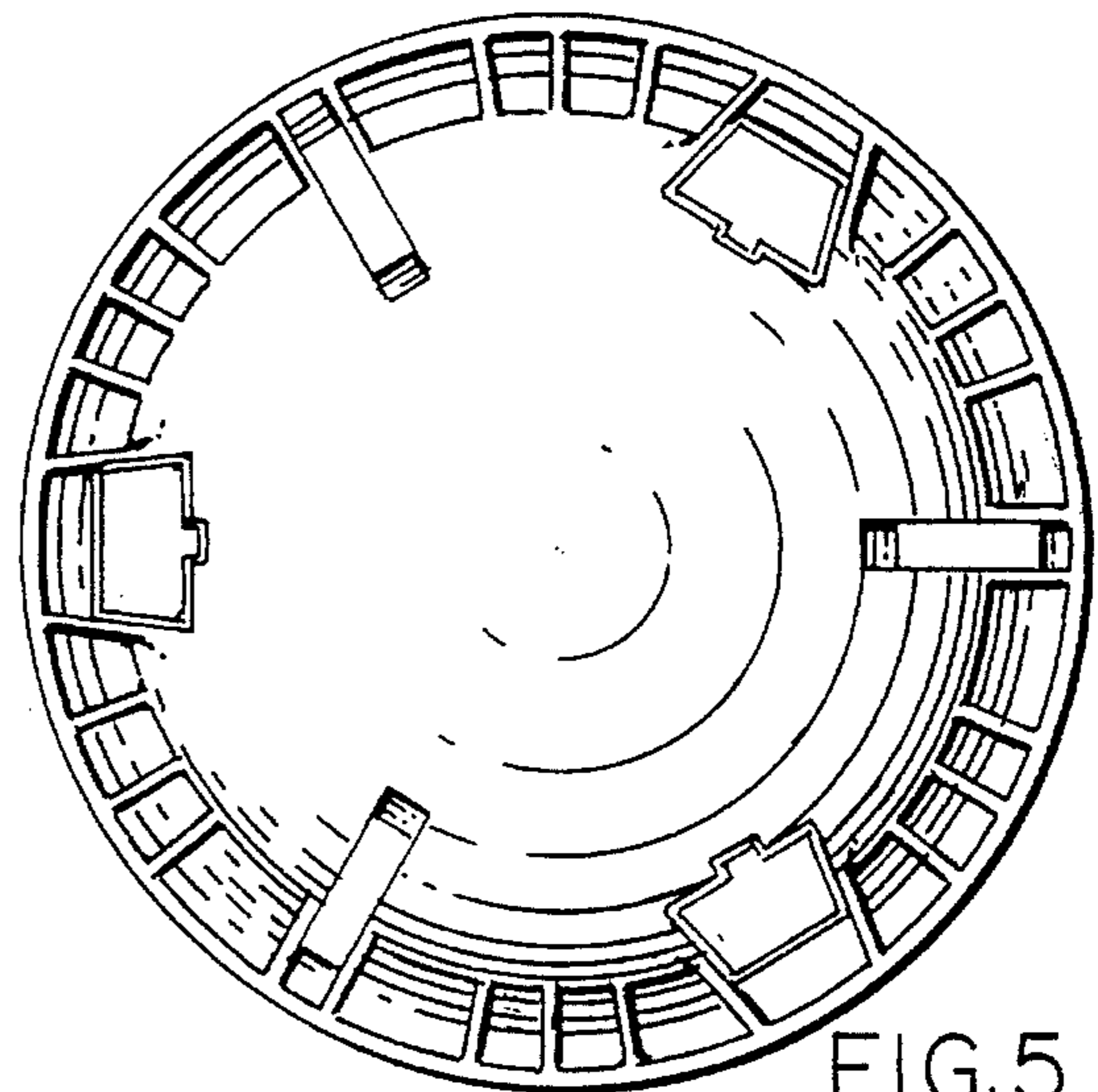


FIG. 5

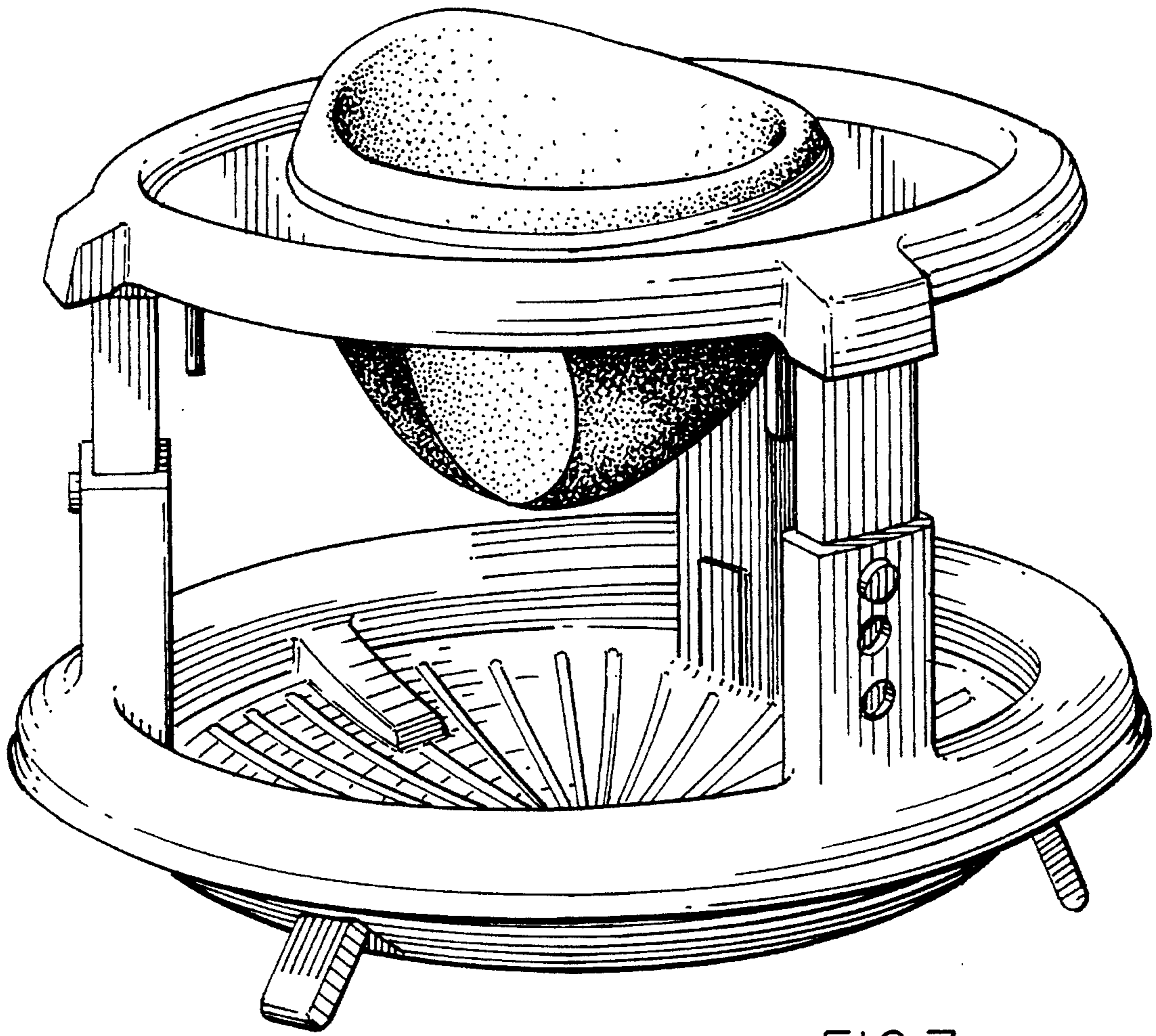


FIG. 7