



US00D369679S

United States Patent [19]
Langford

[11] **Patent Number: Des. 369,679**
[45] **Date of Patent: **May 14, 1996**

[54] **PHOTOGRAPH HOLDER**

[75] Inventor: **James K. Langford**, Tarrant, Tex.
[73] Assignees: **Langford/Silverberg, Inc.**, Fort Worth;
Rainbo Productions, Inc., Dallas, both
of Tex.
[**] Term: **14 Years**
[21] Appl. No.: **36,822**
[22] Filed: **Mar. 28, 1995**
[52] U.S. Cl. **D6/300; D6/310; D6/314**
[58] **Field of Search** **D6/300-303, 308-314;**
40/152, 152.1, 154-156, 158.1, 159.1, 159.2,
661

[56] **References Cited**

U.S. PATENT DOCUMENTS

D. 243,990	4/1977	Williams	D6/311
D. 361,846	8/1995	Te'Kannon	D6/300
2,471,545	5/1949	Rosenberg et al.	40/156
3,935,656	2/1976	Pritchard	40/155

FOREIGN PATENT DOCUMENTS

271589	2/1930	Italy	40/155
470427	8/1937	United Kingdom	40/156

Primary Examiner—Janice E. Seeger
Attorney, Agent, or Firm—Daniel R. Brown

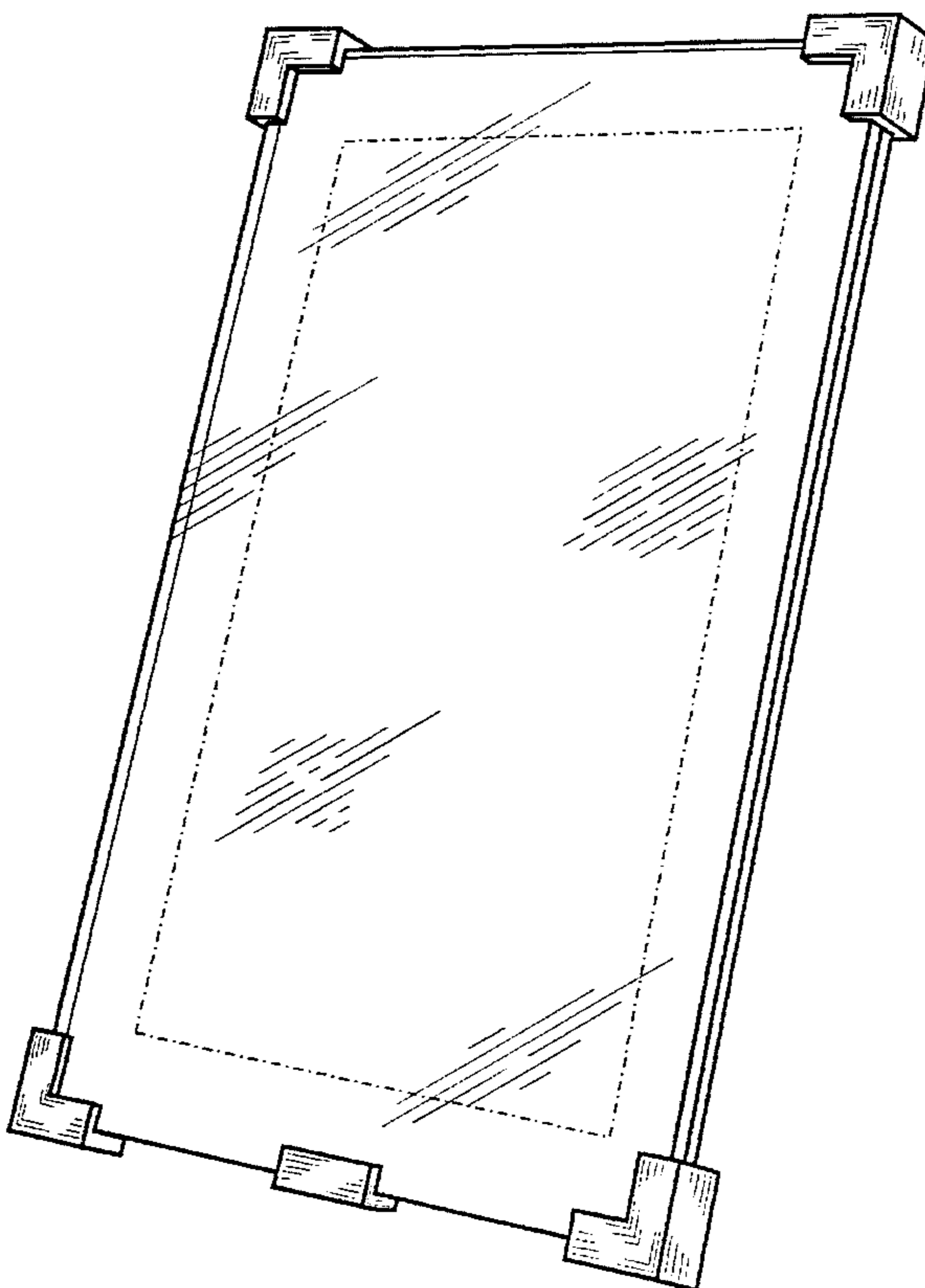
[57] **CLAIM**

The ornamental design for a photograph holder, as shown and described.

DESCRIPTION

FIG. 1 is a front view;
FIG. 2 is a side view;
FIG. 3 is a top view;
FIG. 4 is a bottom view;
FIG. 5 is a back view;
FIG. 6 is a section view, (Section A—A from FIG. 1), showing the support stand;
FIG. 7 is a side view showing the photograph holder resting on a horizontal surface;
FIG. 8 is a perspective detail of a corner grip, for convenience of illustration; and,
FIG. 9 is a perspective view of the photograph holder in use. The broken line in FIG. 7 is not part of the photograph holder or similar article sought to be patented and is shown to illustrate a horizontal surface on which the photograph holder or similar article is resting.
The broken lines in FIG. 9 are not part of the photograph holder or similar article sought to be patented, they illustrate the position of a photograph or similar article within the photograph holder or similar article, as it would be in normal use.
The front horizontal planar member, as viewed in FIG. 1, is made from a transparent material such that the photograph or similar article, which is positioned behind the transparent material, can be viewed.

1 Claim, 4 Drawing Sheets



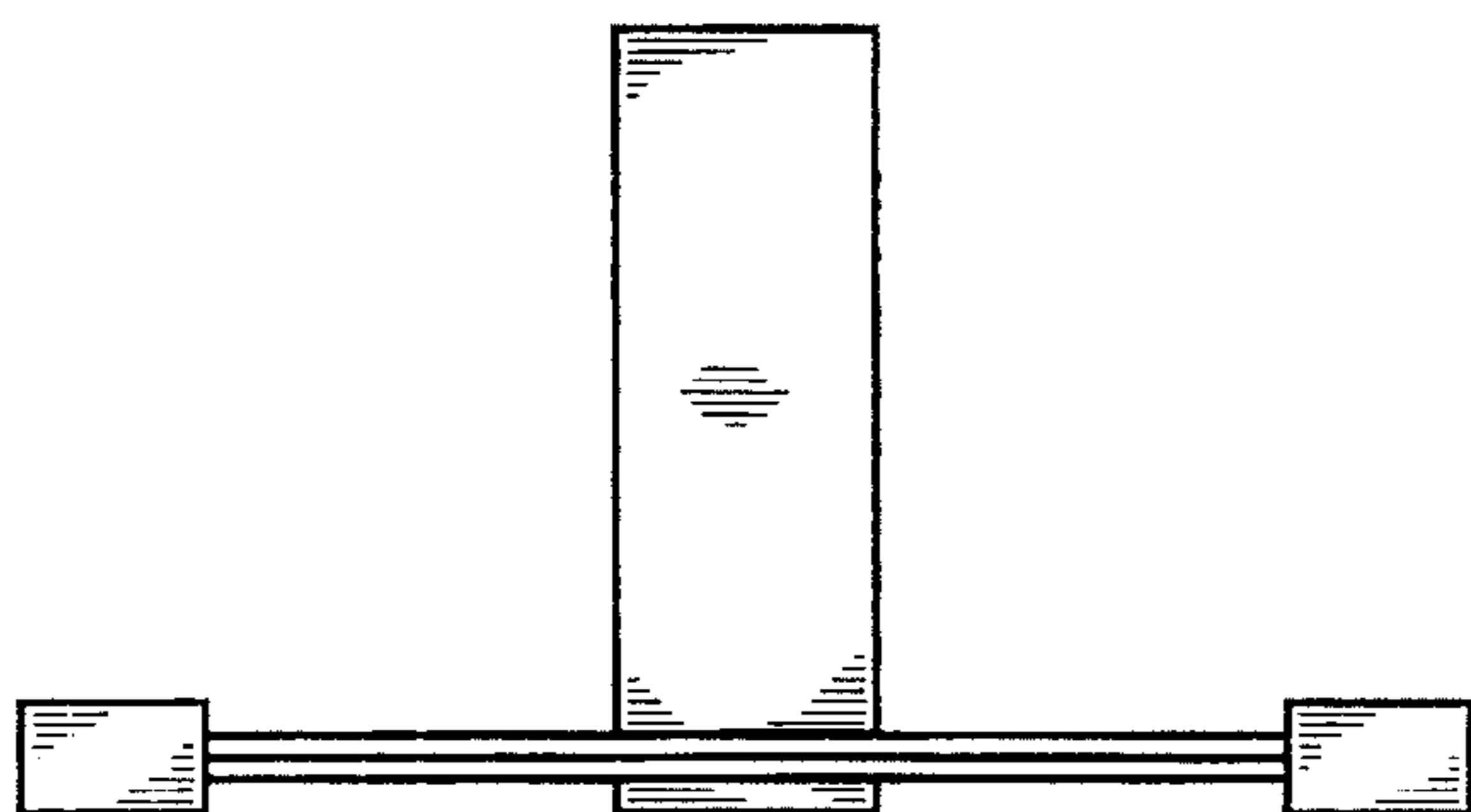


Fig. 3

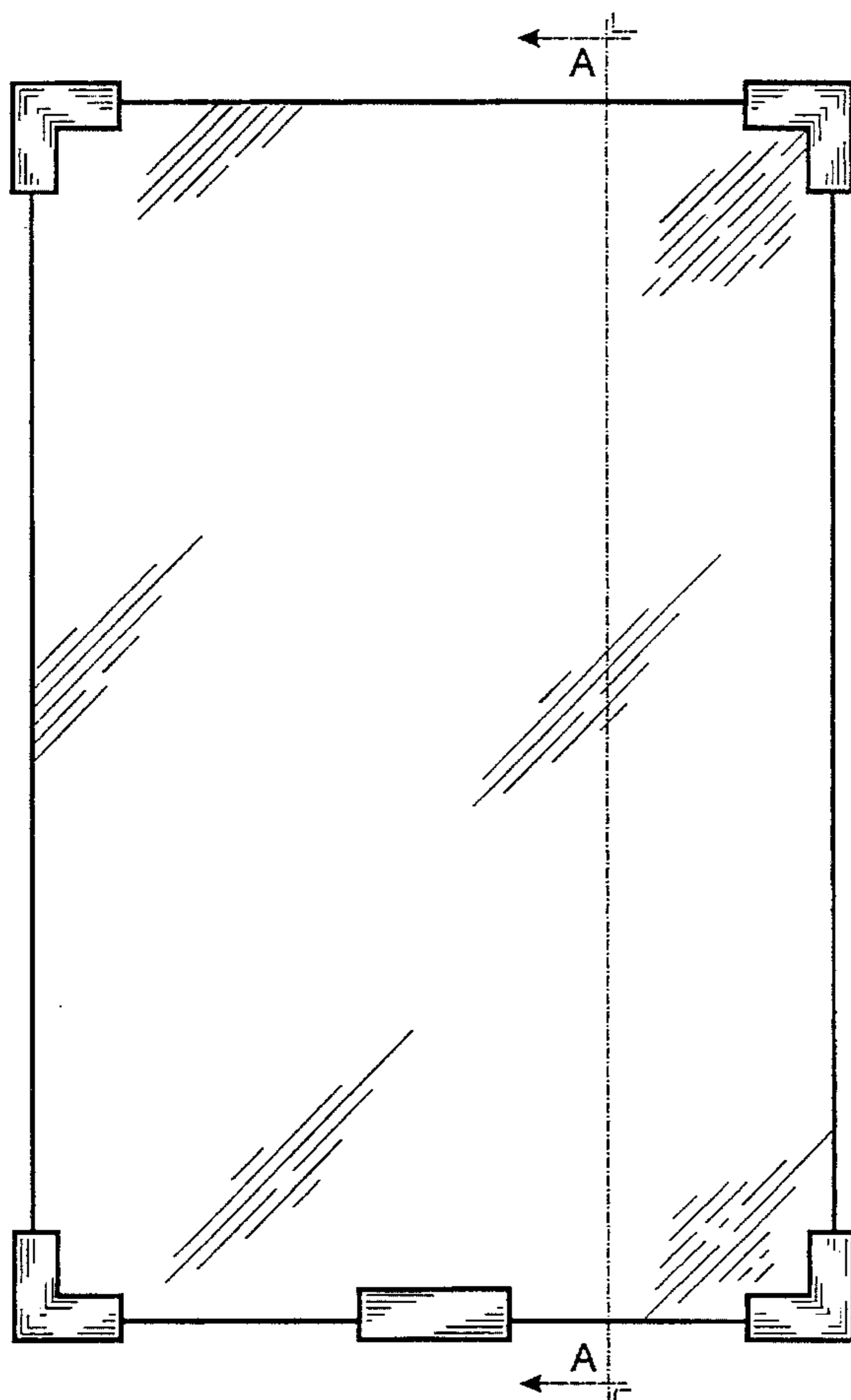


Fig. 1

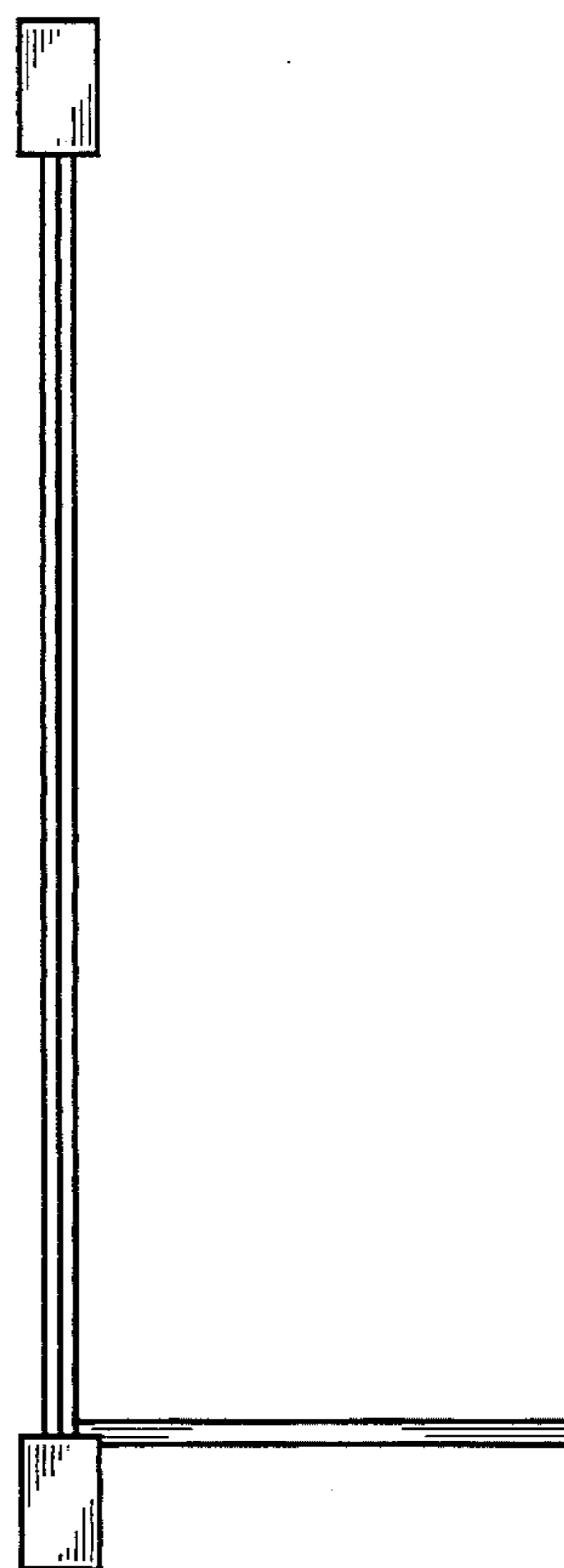


Fig. 2

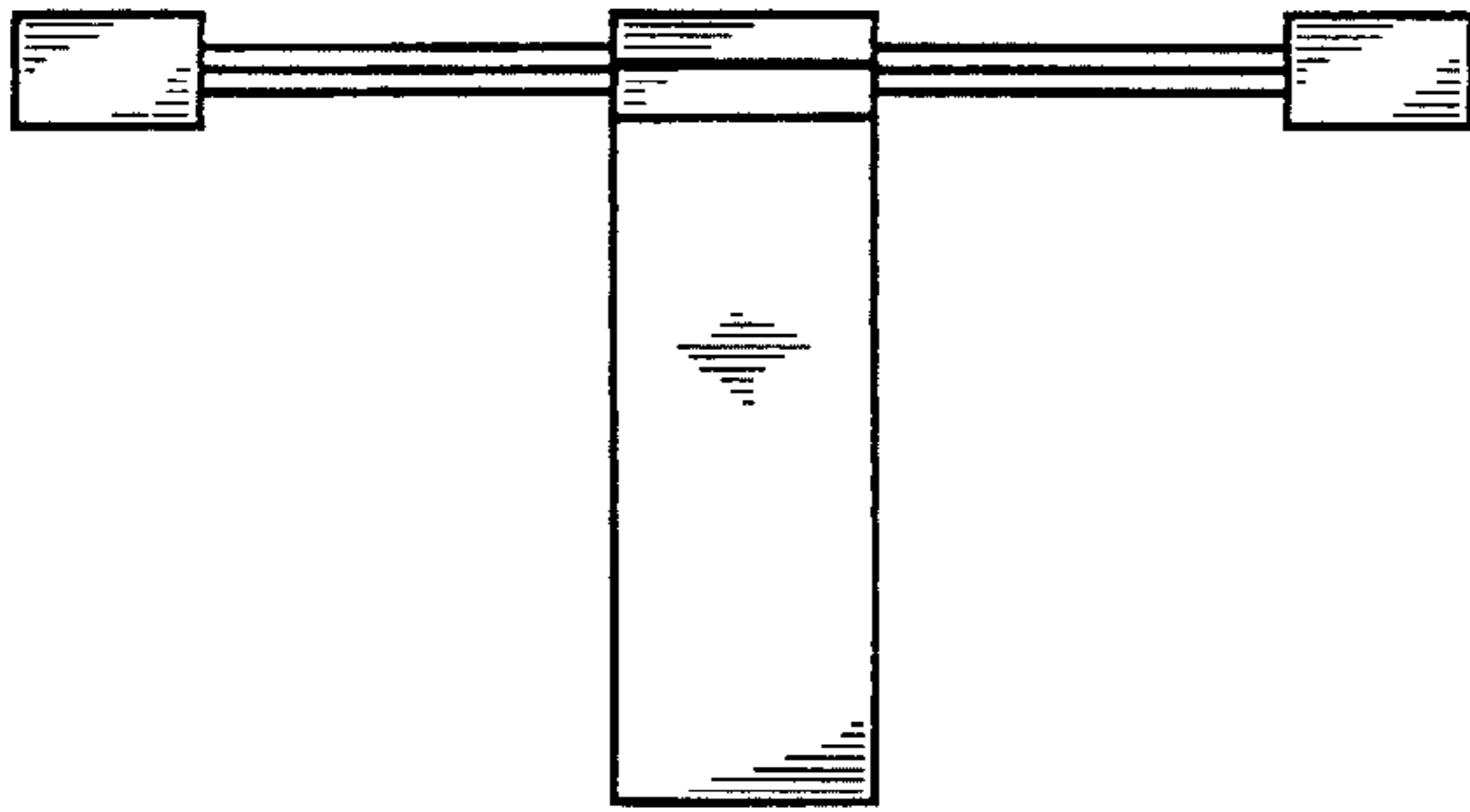


Fig. 4

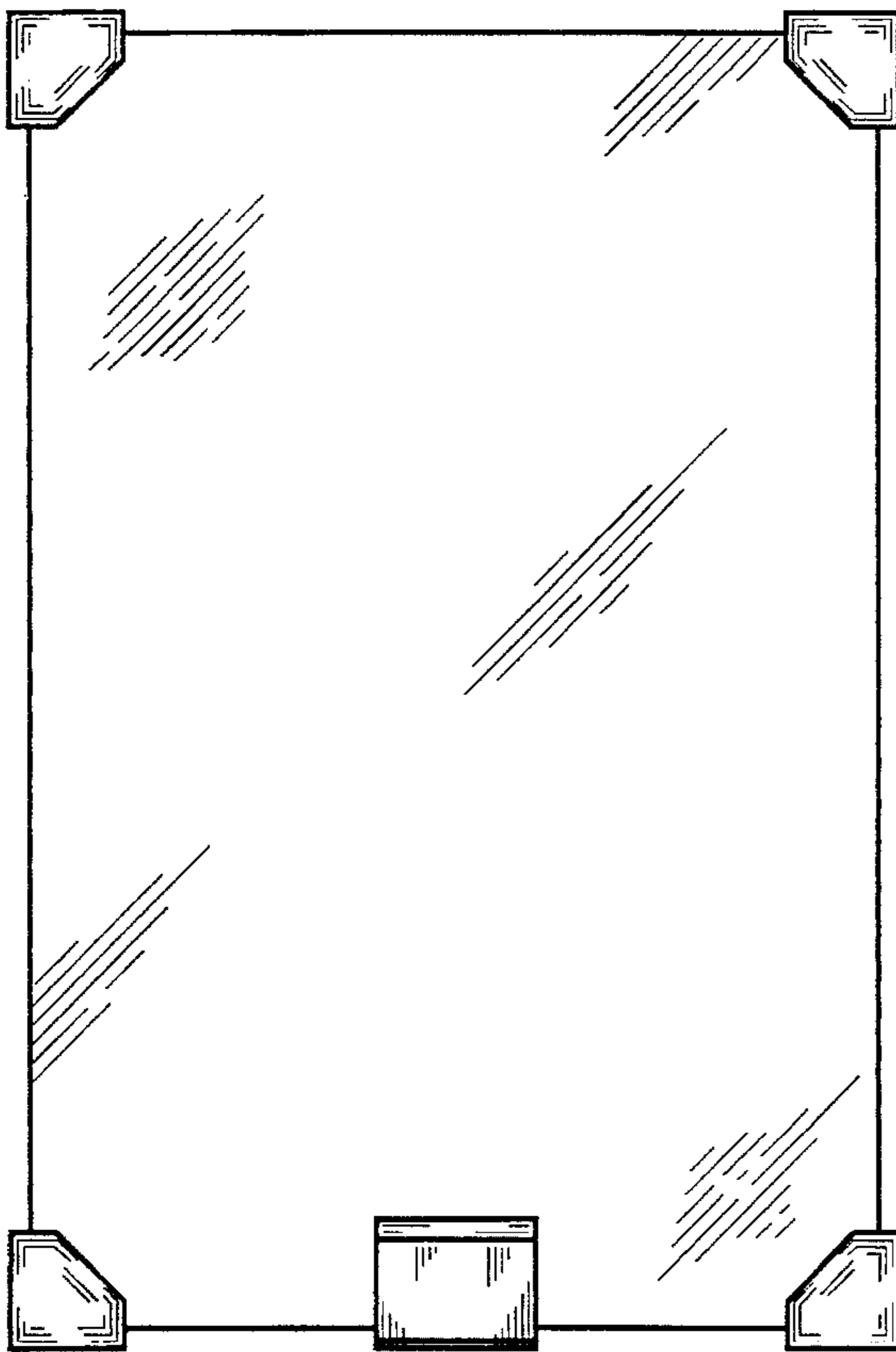


Fig. 5

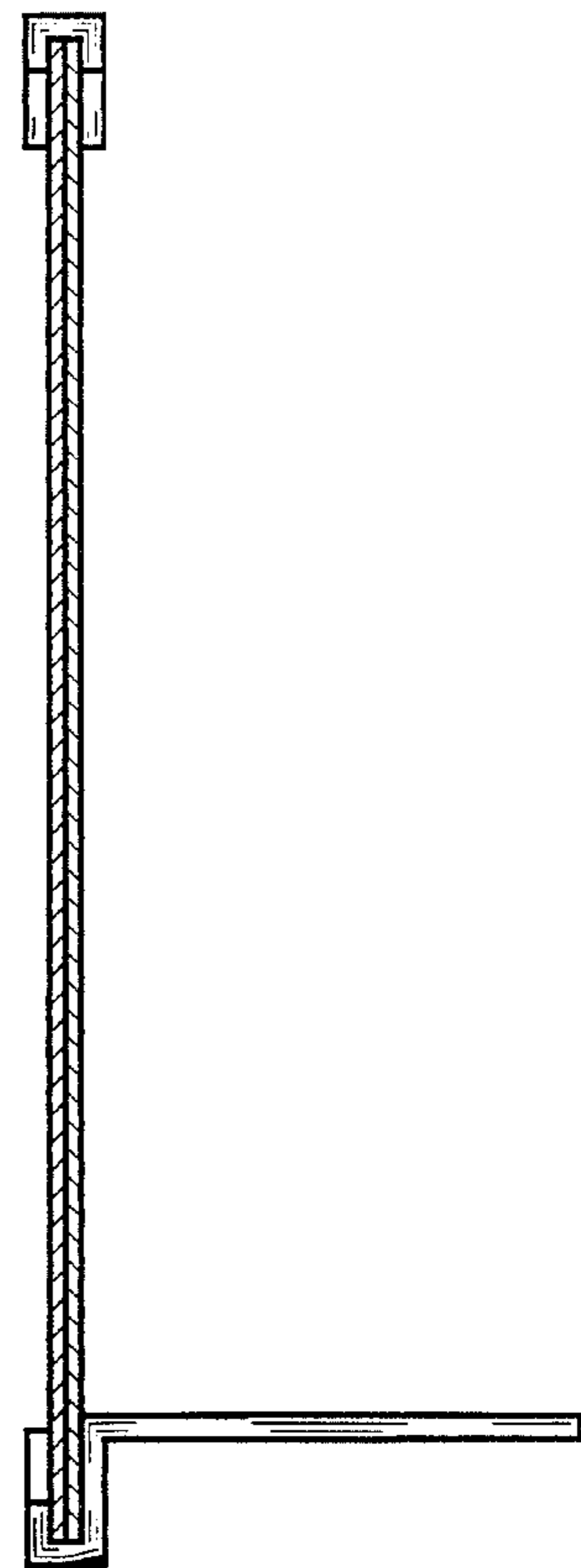


Fig. 6
SECTION A-A

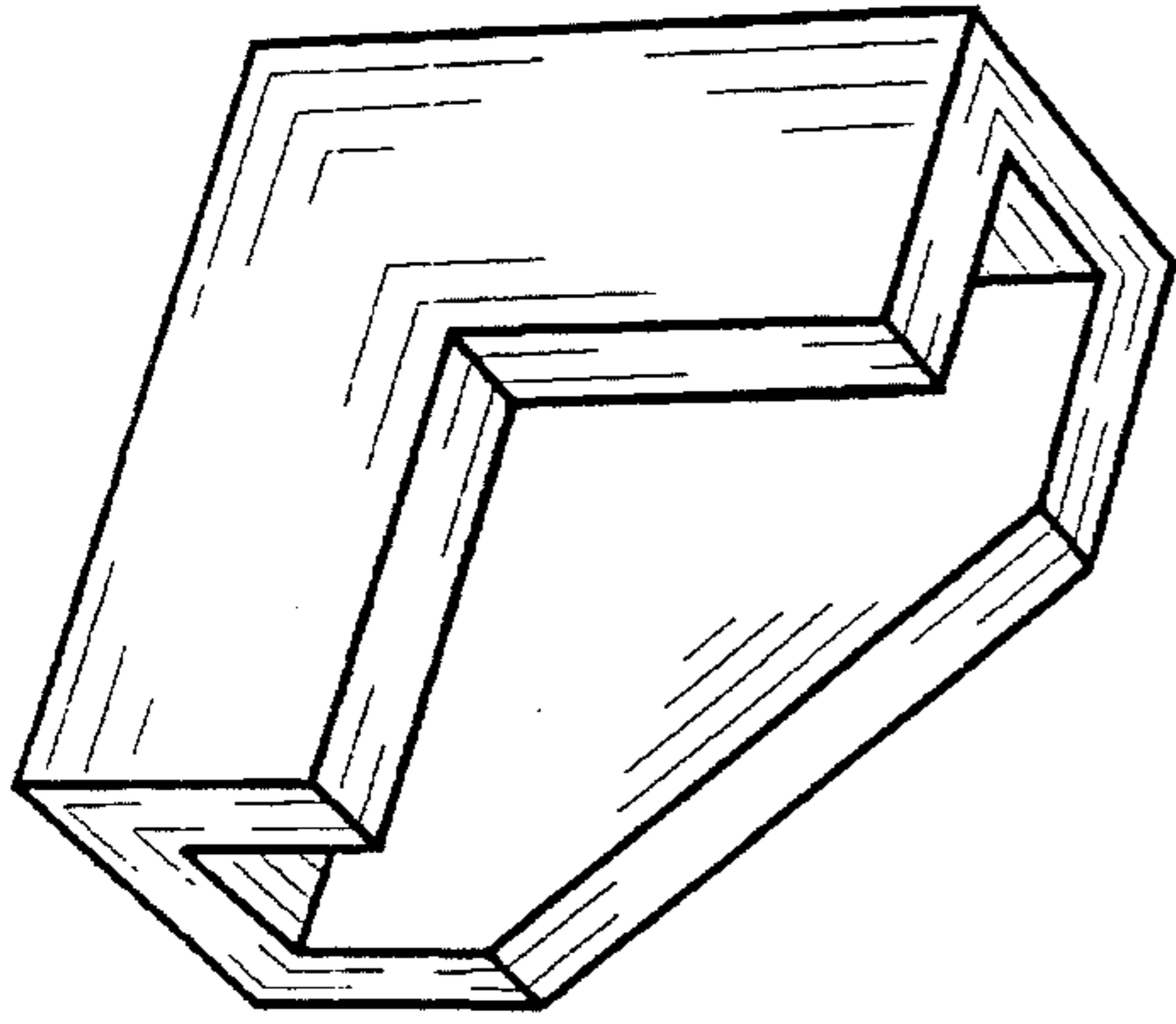


Fig. 8

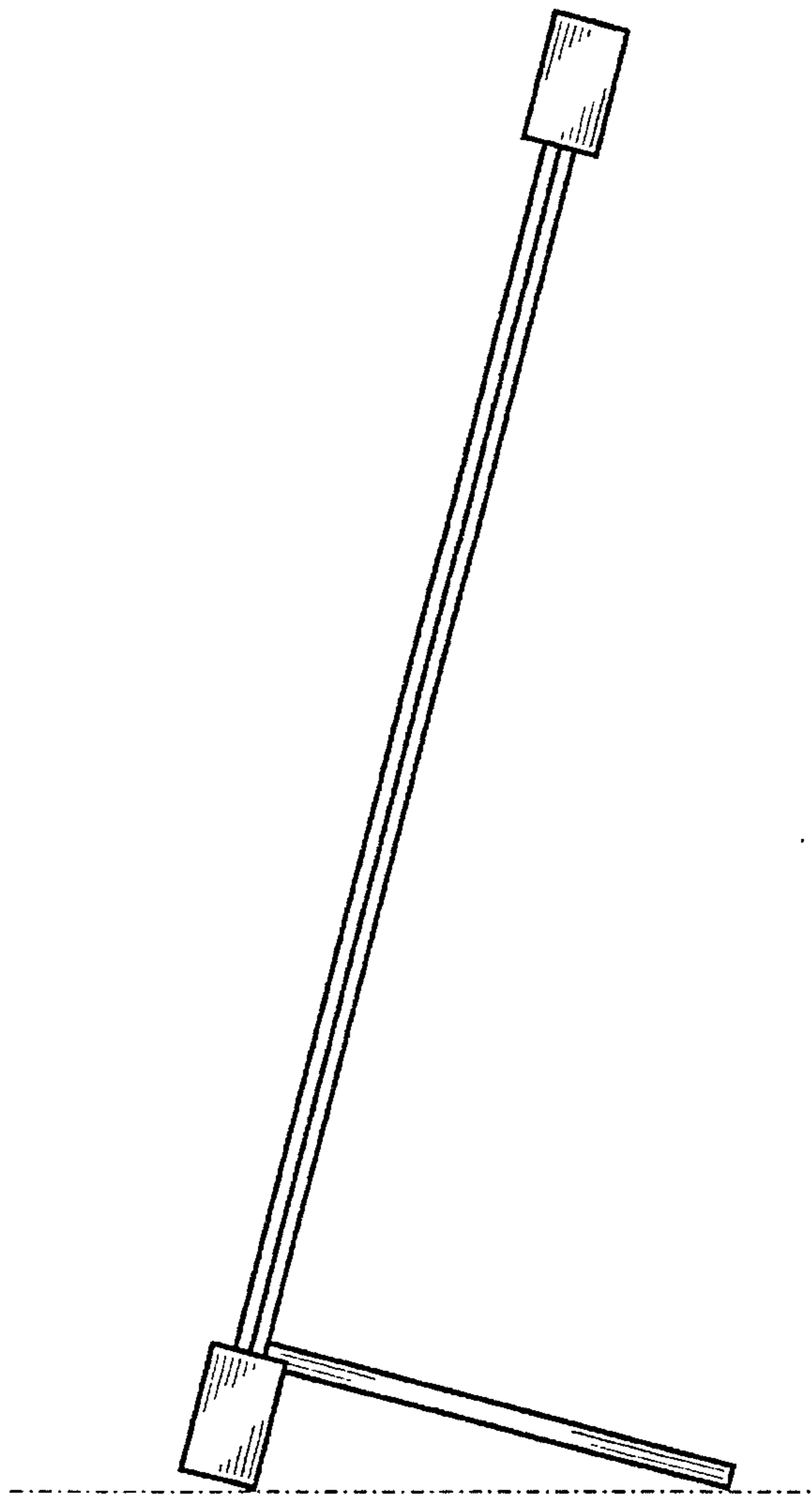


Fig. 7

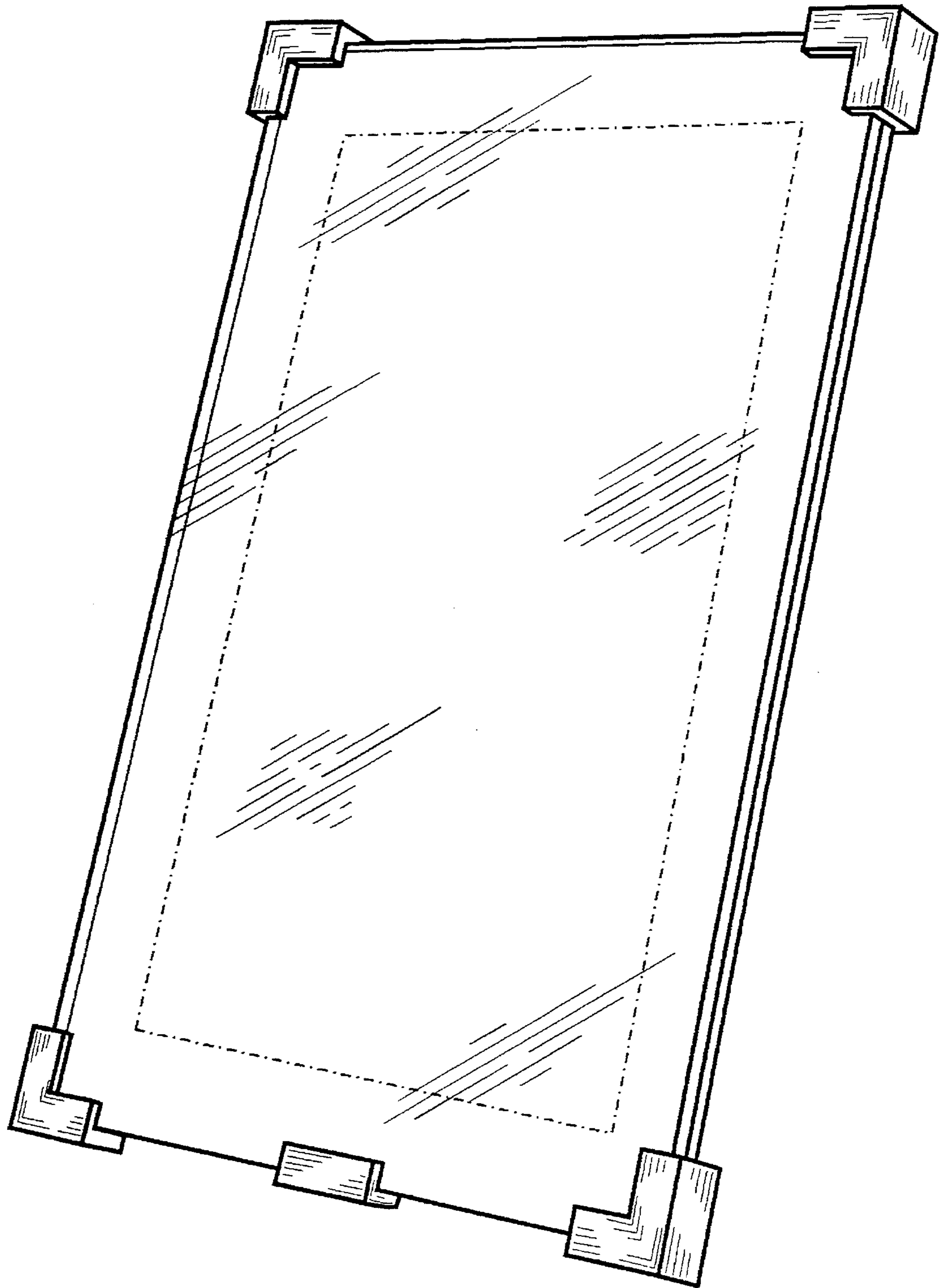


Fig. 9