



US00D369677S

United States Patent [19]

Bussmann et al.

[11] Patent Number: **Des. 369,677**

[45] Date of Patent: ****May 14, 1996**

[54] **INSTRUMENT CASE**

[75] Inventors: **Stephen Bussmann, Granger; Kenneth Collister, Elkhart, both of Ind.; D. Glenn Purcell, Edwardsburg, Mich.**

[73] Assignee: **Bayer Corporation, Elkhart, Ind.**

[**] Term: **14 Years**

[21] Appl. No.: **37,479**

[22] Filed: **Apr. 13, 1995**

[52] U.S. Cl. **D3/282; D3/269; D3/284; D3/294**

[58] Field of Search **D3/272, 273, 276, D3/282, 284, 269, 295, 294; 190/100, 110, 111, 115, 900, 901; 206/320; D24/169, 167, 165, 229, 227**

[56] **References Cited**

U.S. PATENT DOCUMENTS

D. 234,545	3/1975	De Tomaso	D3/269
D. 253,978	1/1980	Osit	D3/269
D. 260,202	8/1981	Middleton, Jr.	D3/269
D. 294,776	3/1988	Gander et al.	D3/282

D. 305,809	1/1990	Weber et al.	D3/282
D. 309,555	7/1990	Kime	D3/282
D. 315,057	3/1991	Bridges	D3/295
D. 351,727	10/1994	Tarozzi	D3/282
4,837,590	6/1989	Sprague	190/900
5,214,574	5/1993	Chang	206/320

Primary Examiner—Philip S. Hyder
Attorney, Agent, or Firm—Roger N. Coe

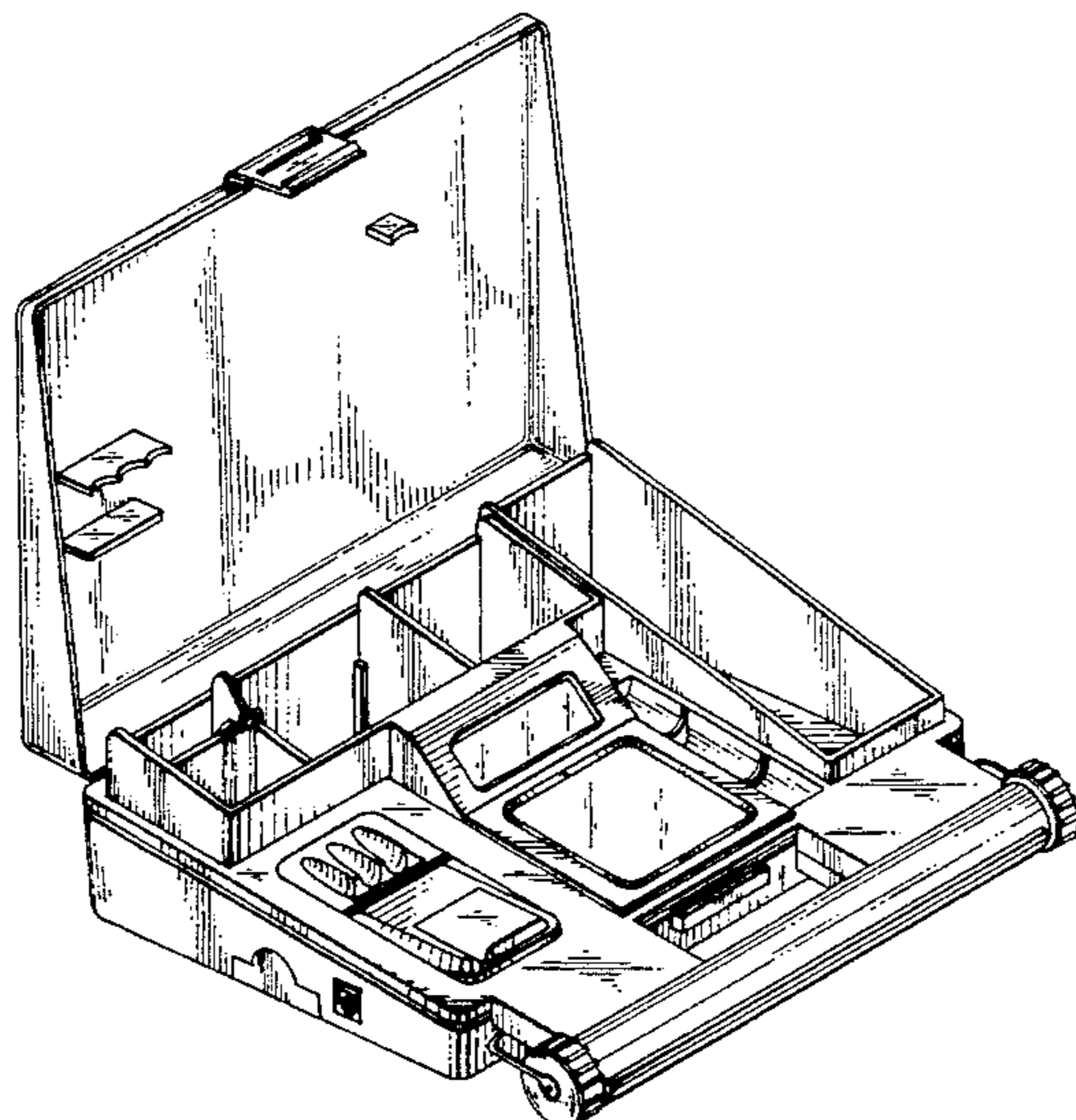
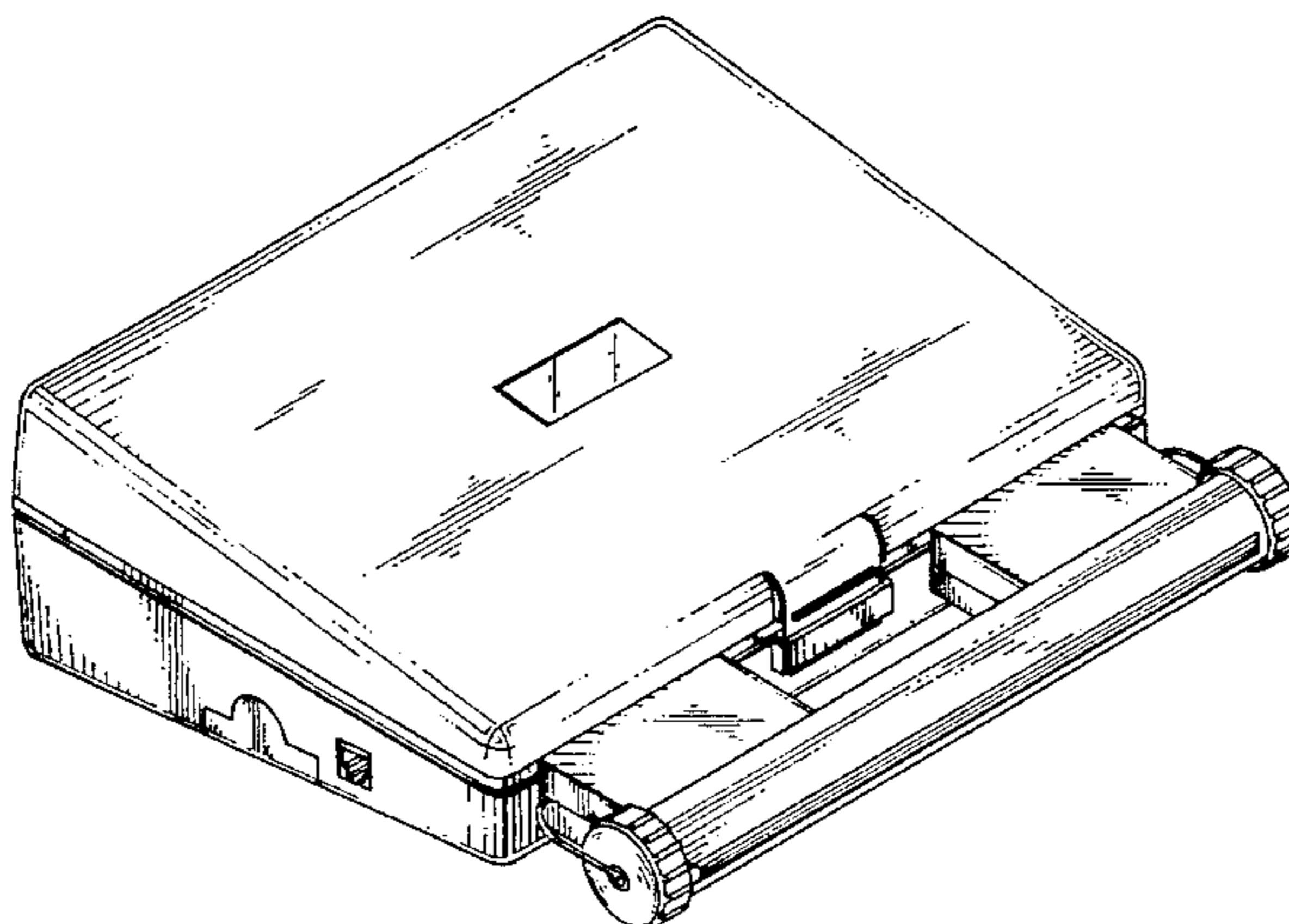
[57] **CLAIM**

The ornamental design for an instrument case, as shown and described.

DESCRIPTION

FIG. 1 is a front perspective view of the instrument case showing the new design;
FIG. 2 is a top plan view thereof;
FIG. 3 is a front elevational view thereof;
FIG. 4 is a rear elevational view thereof;
FIG. 5 is a bottom plan view thereof;
FIG. 6 is a left side elevational view thereof;
FIG. 7 is a right side elevational view thereof; and,
FIG. 8 is a front perspective view of the instrument case with the lid open.

1 Claim, 5 Drawing Sheets



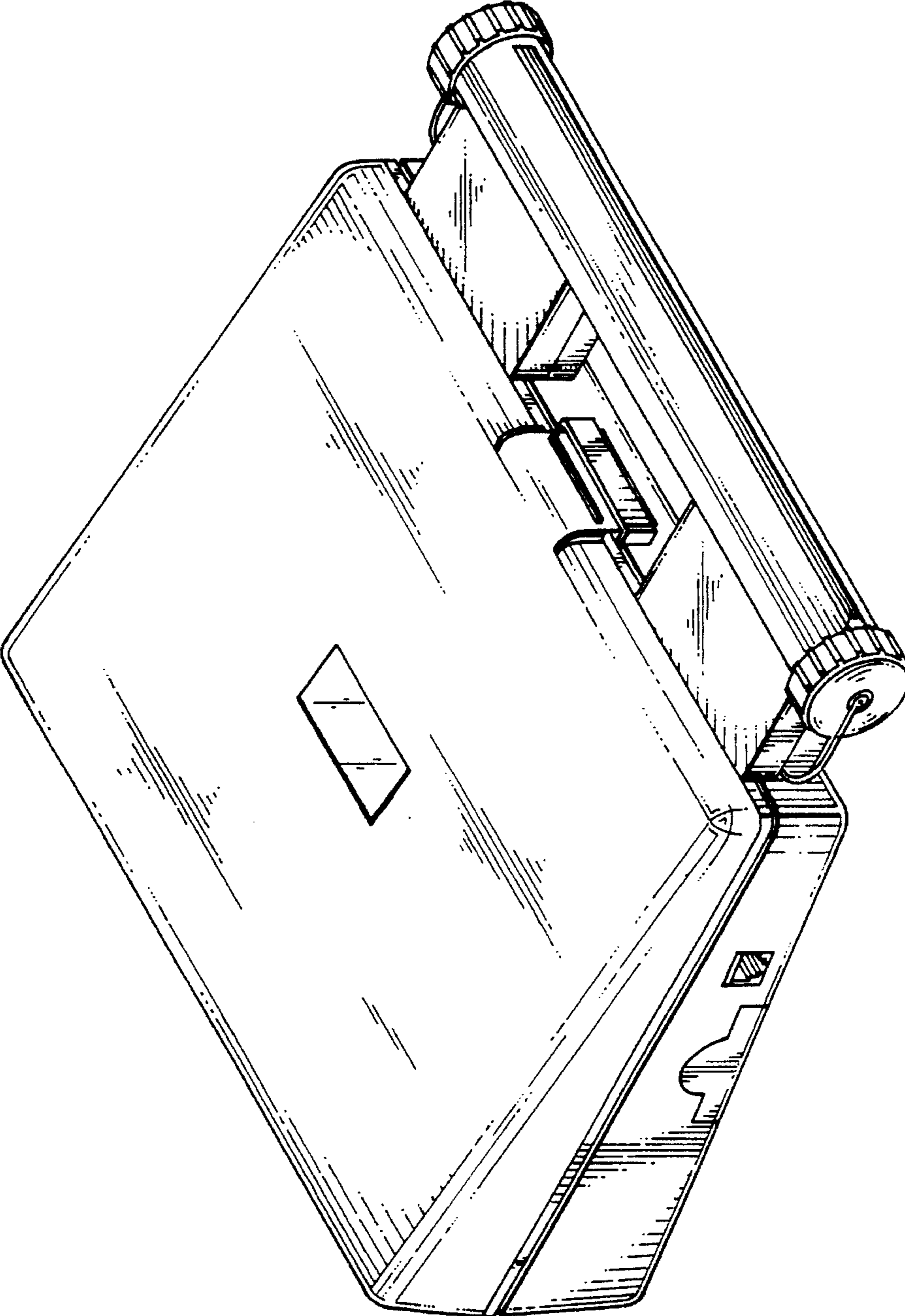


FIG. 1

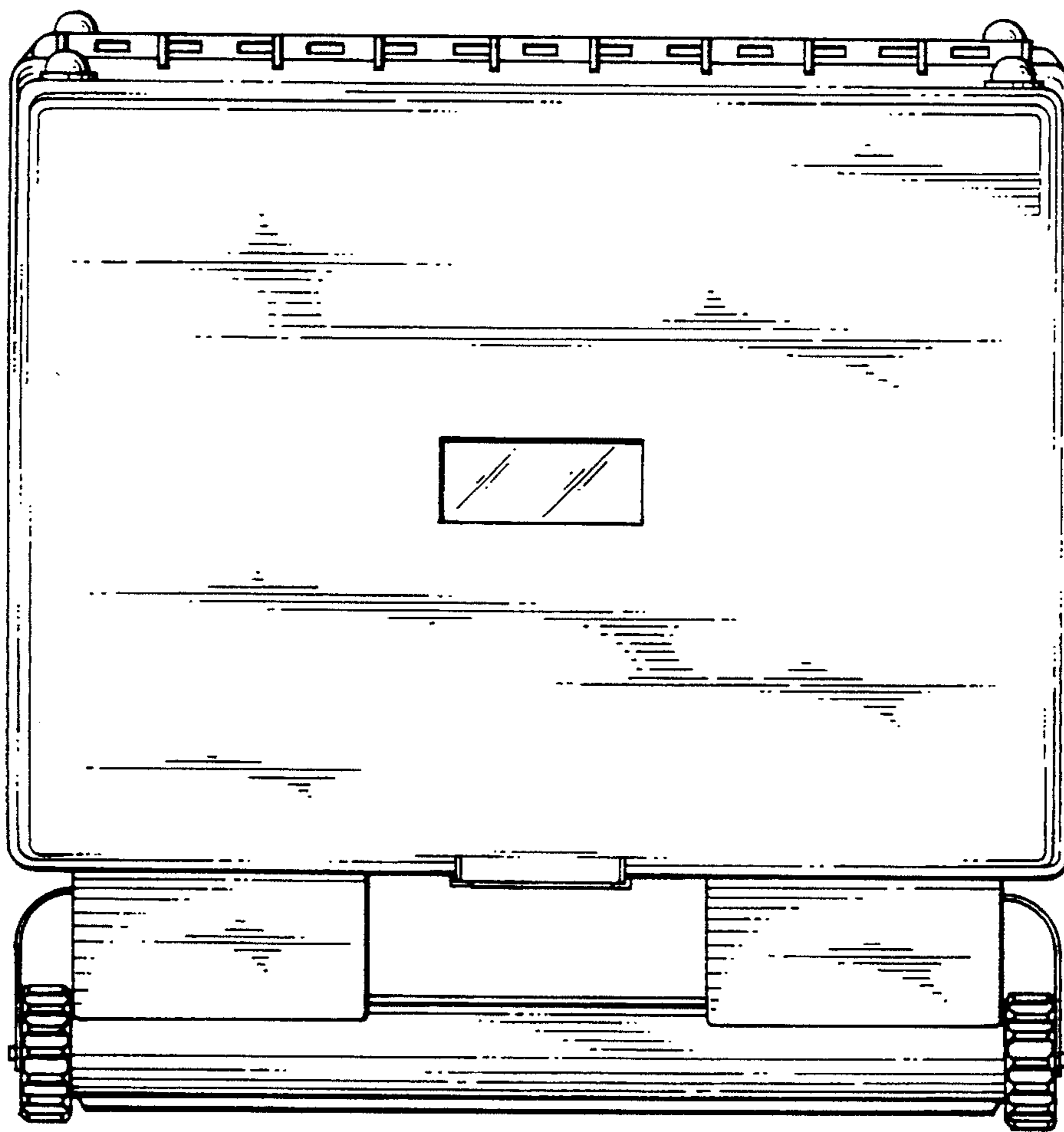


FIG. 2

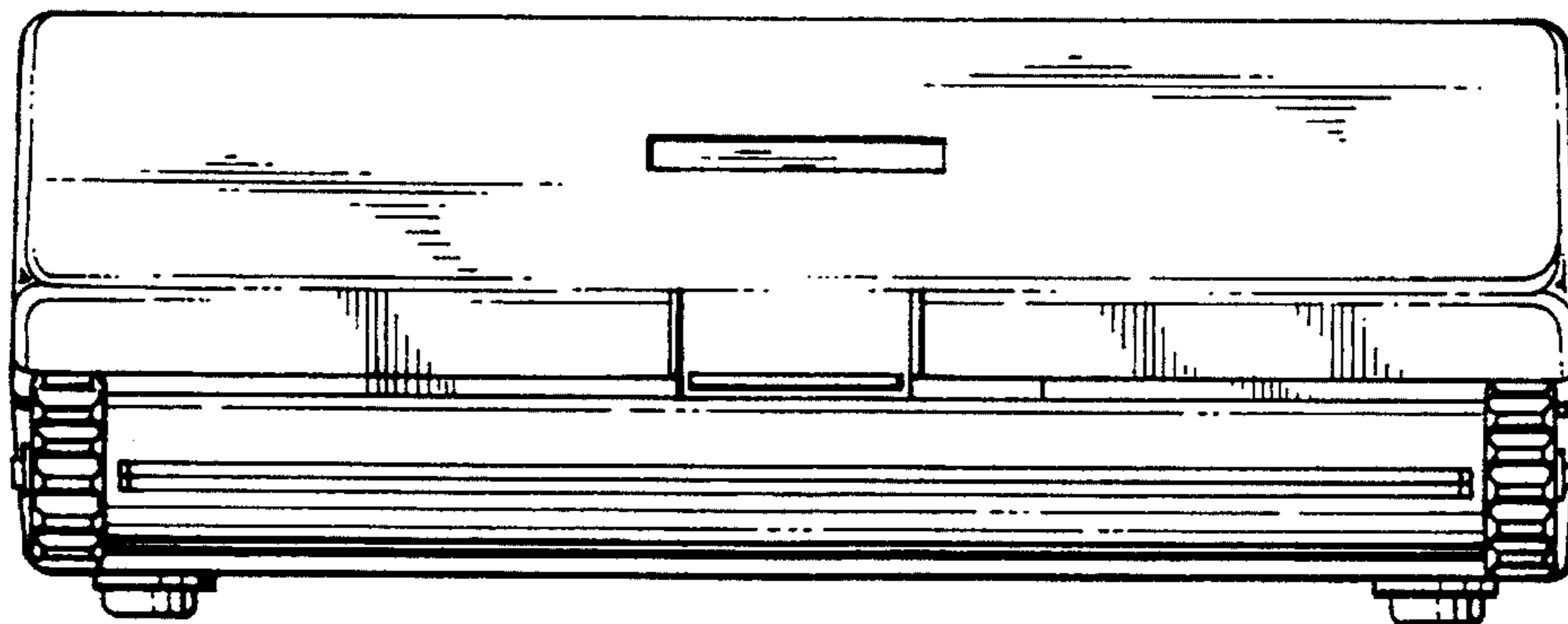


FIG. 3

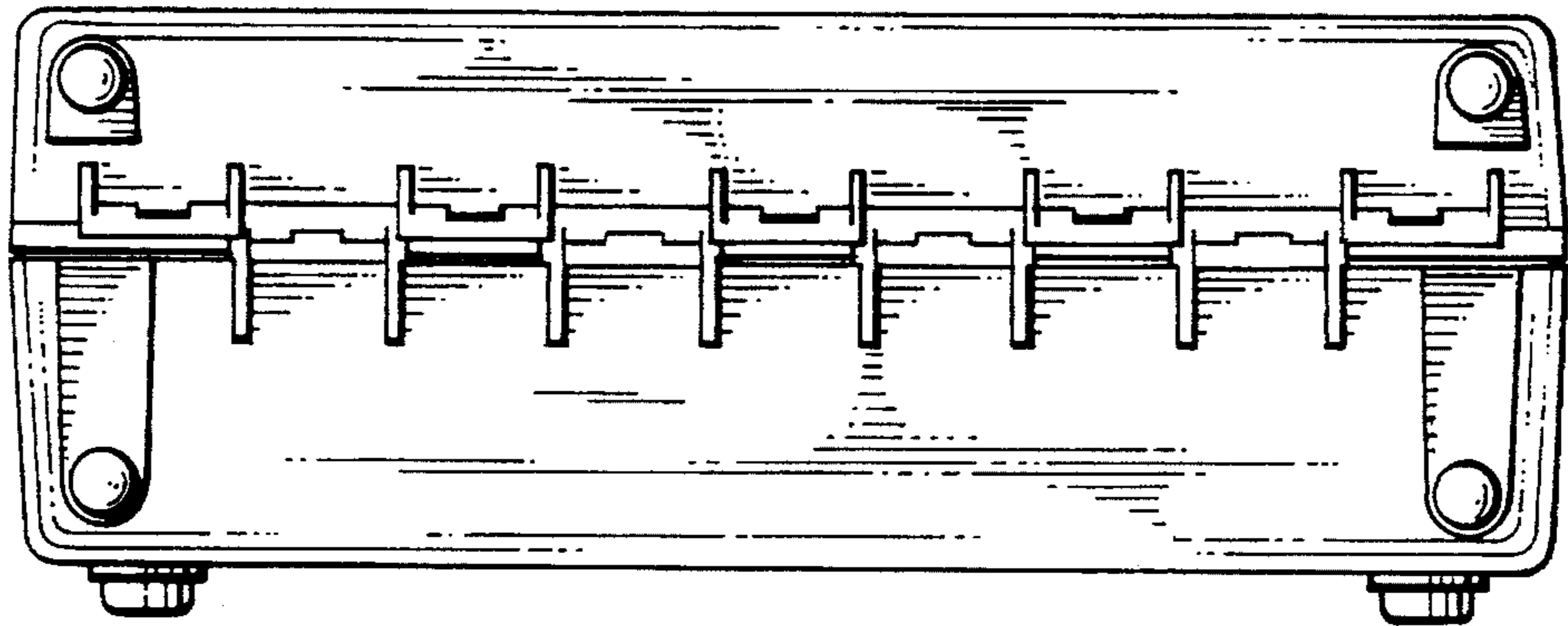


FIG. 4

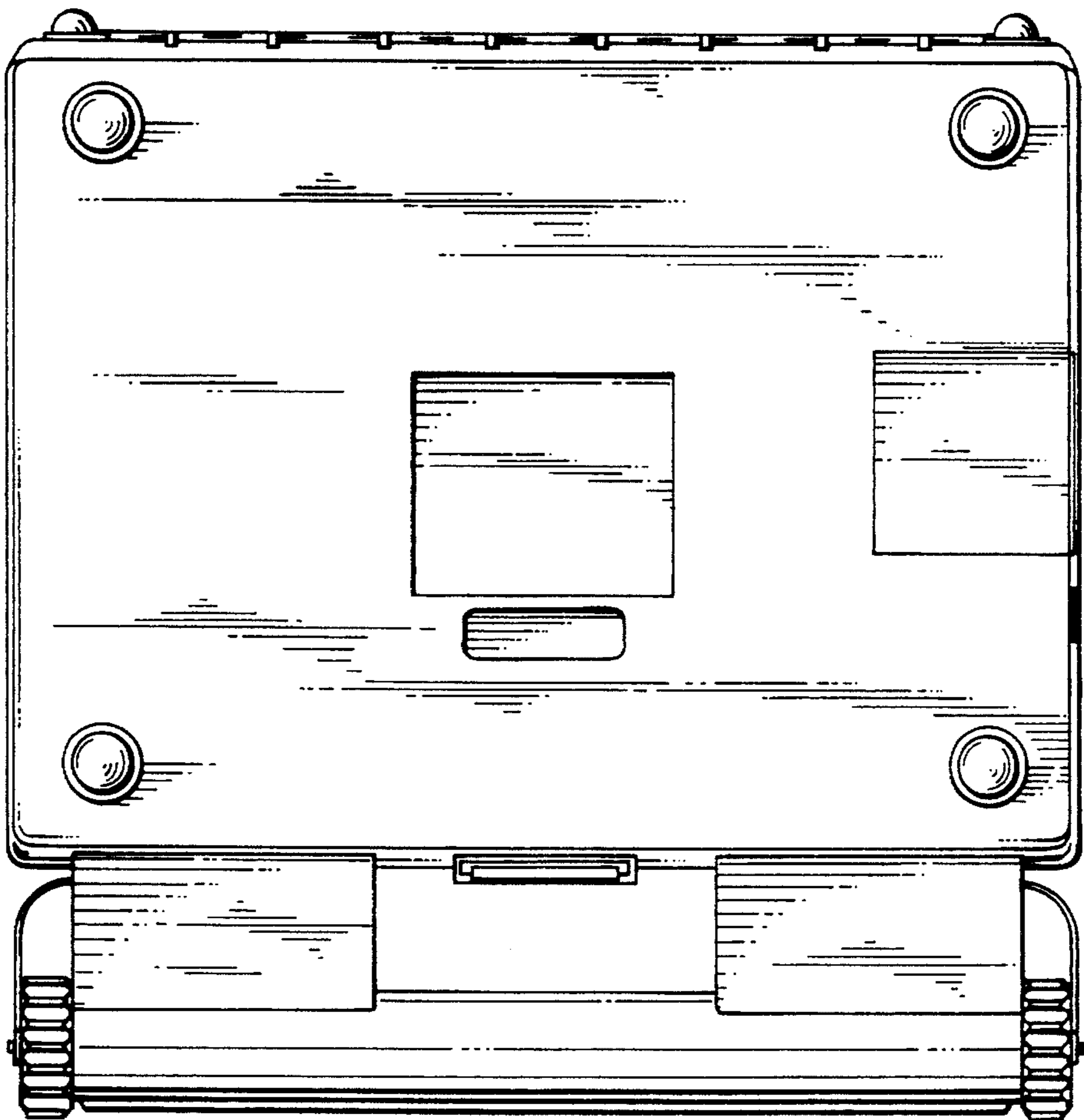


FIG. 5

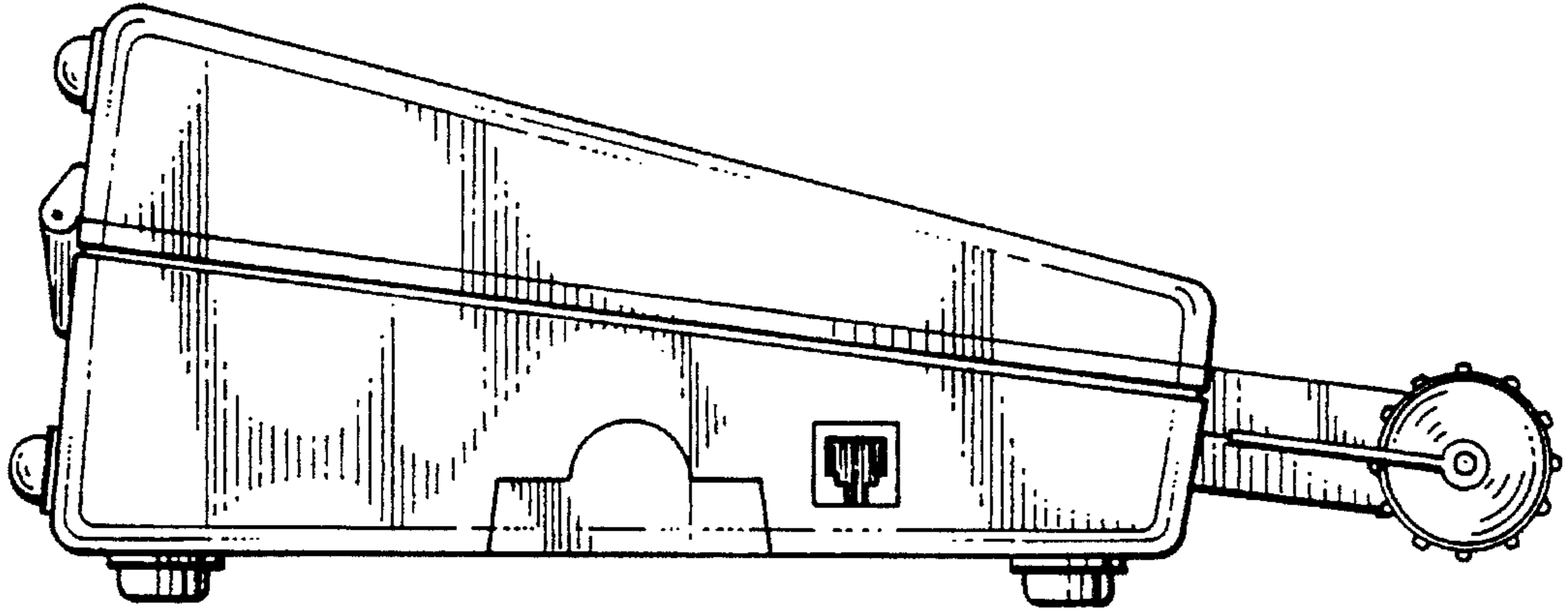


FIG. 6

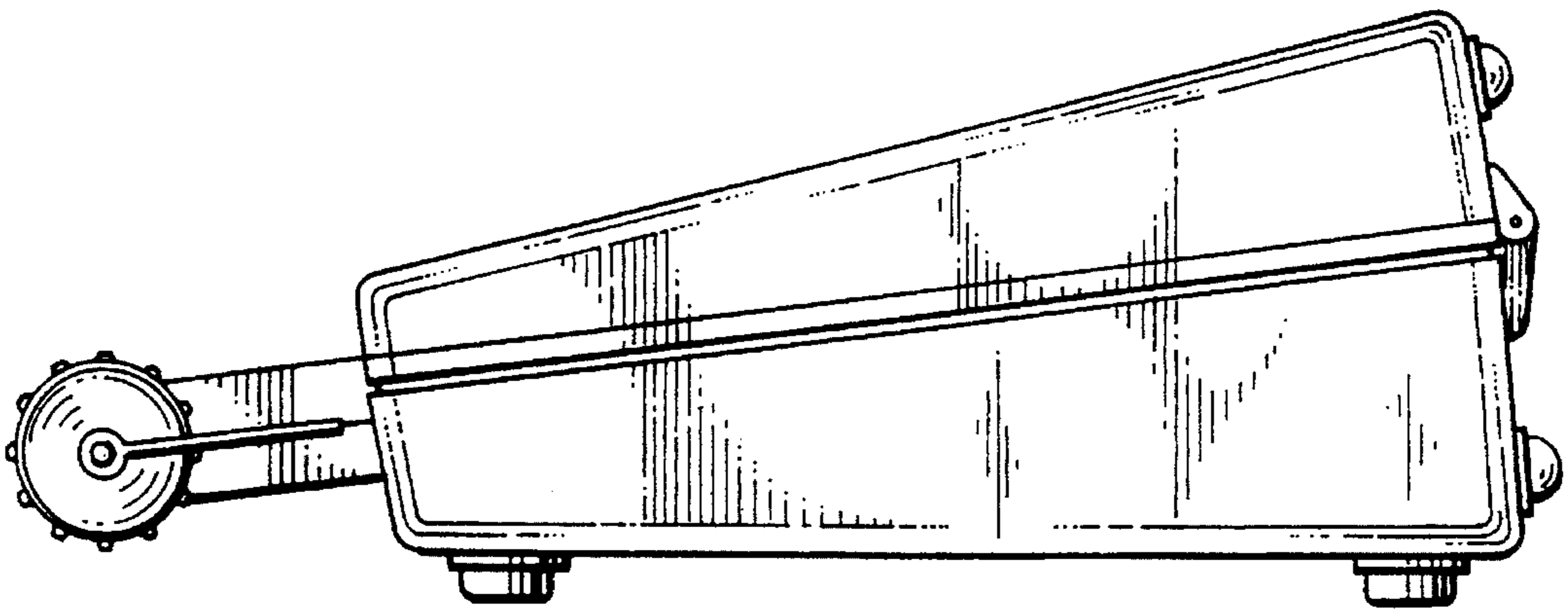


FIG. 7

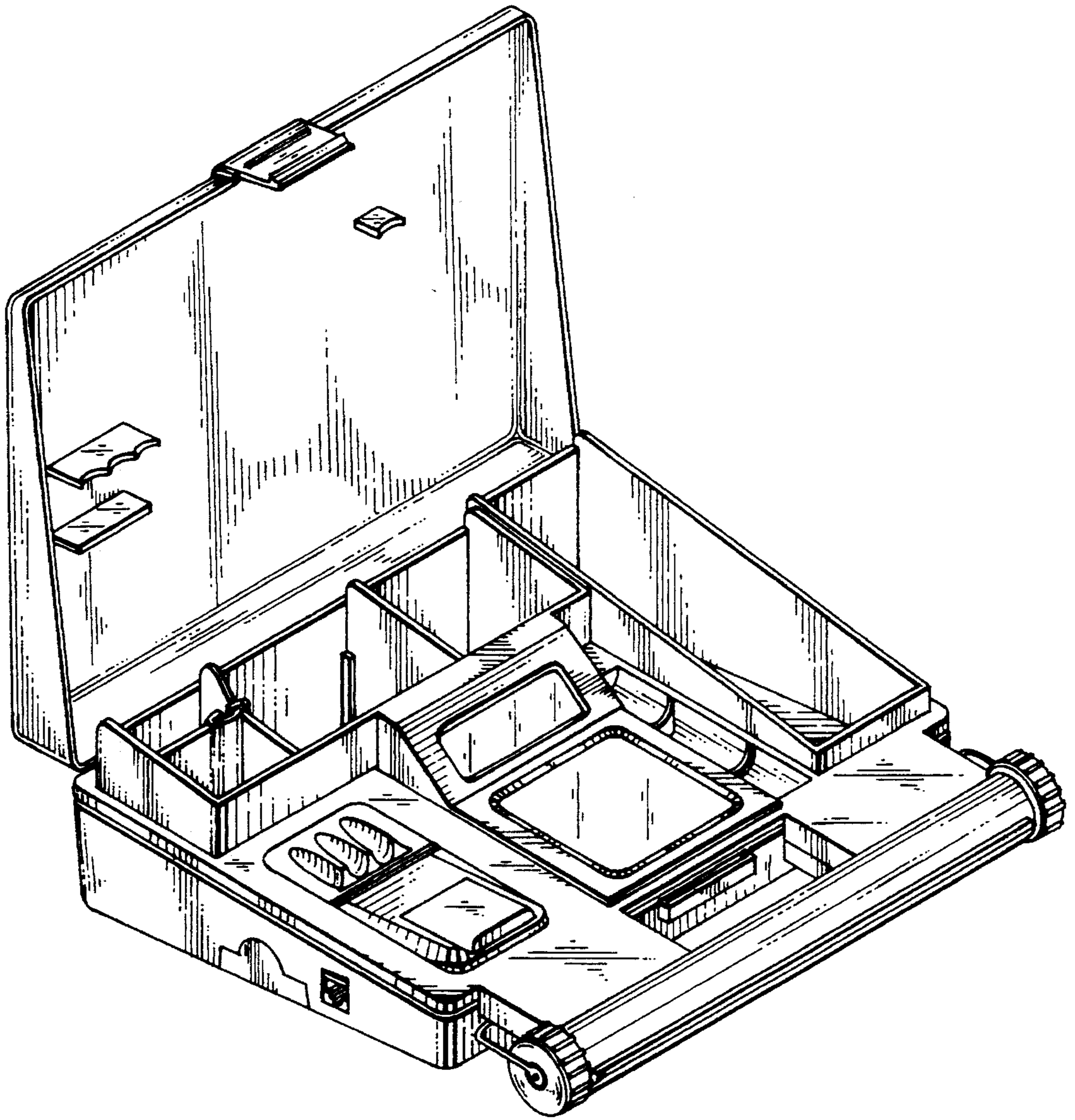


FIG. 8