



US00D369673S

United States Patent [19]

[11] Patent Number: **Des. 369,673**

Morton et al.

[45] Date of Patent: ****May 14, 1996**

[54] **BAYONET SCABBARD**

D. 317,037	5/1991	Koshiishi	D3/220 X
D. 334,252	4/1993	Collins	D3/220 X
675,252	5/1901	Simmons	224/232
2,398,764	4/1946	Bailey	30/151
5,031,810	7/1991	Finn et al.	224/232 X

[75] Inventors: **Randolph J. Morton**, Coronado; **Brett Seber**; **Curtiss English**, both of Escondido; **Mark DeFelice**, Santee, all of Calif.

Primary Examiner—Doris V. Coles
Assistant Examiner—Catherine R. Oliver
Attorney, Agent, or Firm—Gregory Garmong

[73] Assignee: **Buck KNives, Inc.**, El Cajon, Calif.

[**] Term: **14 Years**

[57] **CLAIM**

[21] Appl. No.: **33,425**

The ornamental design for a bayonet scabbard, as shown and described.

[22] Filed: **Jan. 12, 1995**

[52] U.S. Cl. **D3/220**

DESCRIPTION

[58] **Field of Search** D3/220; D22/118; 224/191, 232; 224/253; 30/151, 153, 155

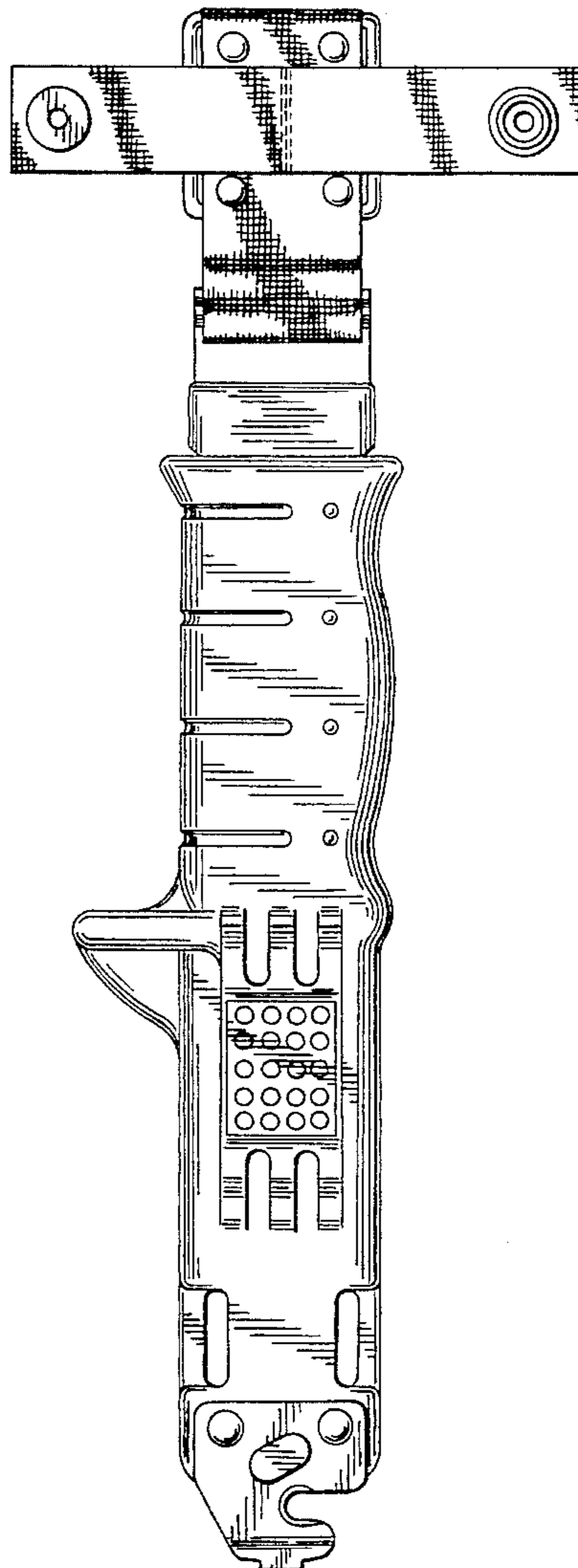
FIG. 1 is a front elevational view of a bayonet scabbard; FIG. 2 is a right-side elevational view thereof; FIG. 3 is a top view thereof; FIG. 4 is a rear elevational view thereof; FIG. 5 is a left-side elevational view thereof; and, FIG. 6 is a bottom view thereof.

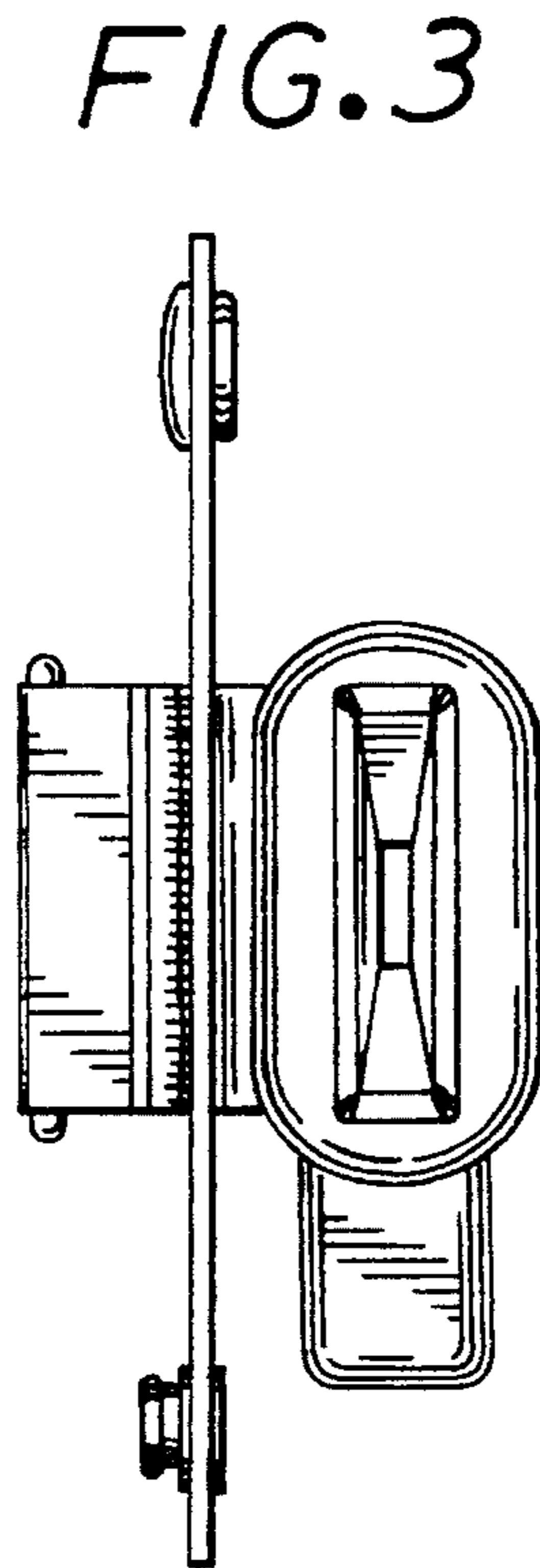
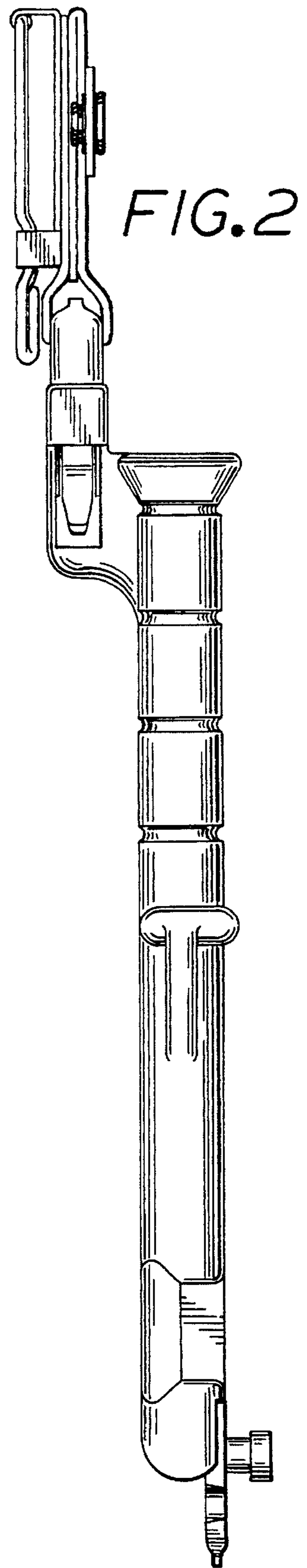
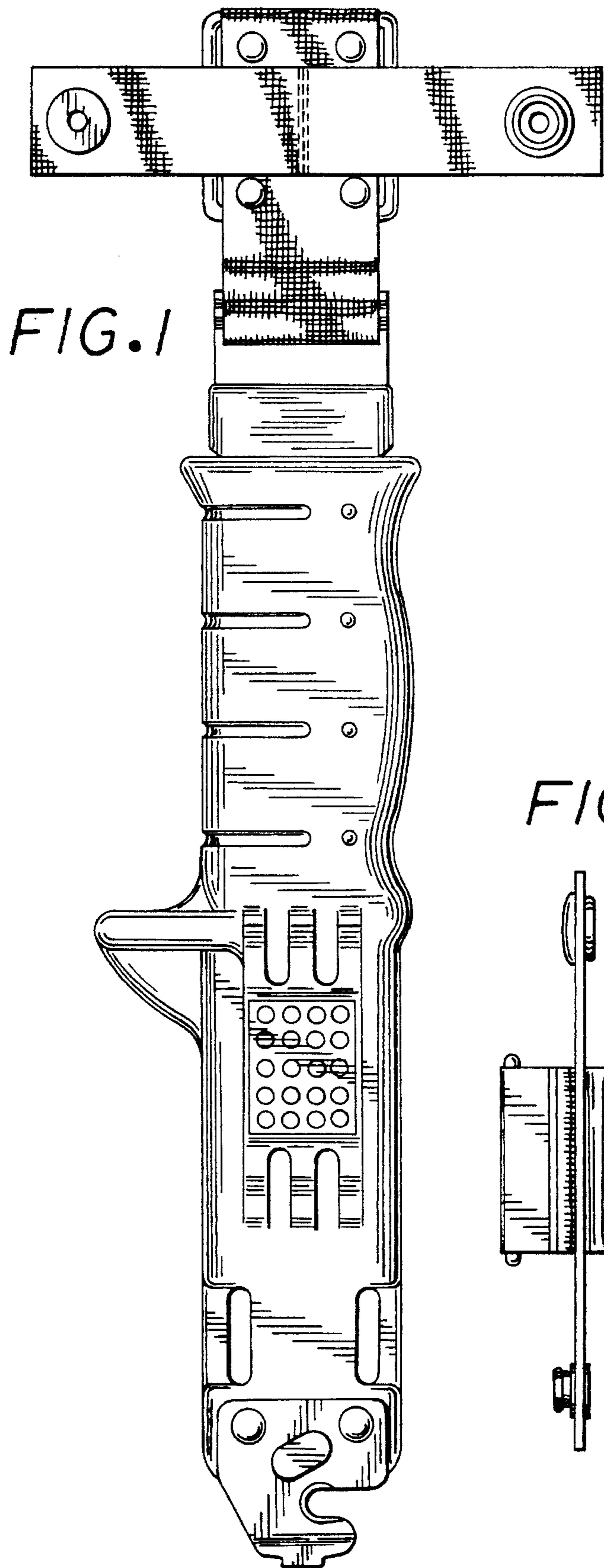
[56] **References Cited**

U.S. PATENT DOCUMENTS

D. 205,769	9/1966	Beckwith	D3/220
D. 302,199	7/1989	Newman et al.	D3/220 X

1 Claim, 2 Drawing Sheets





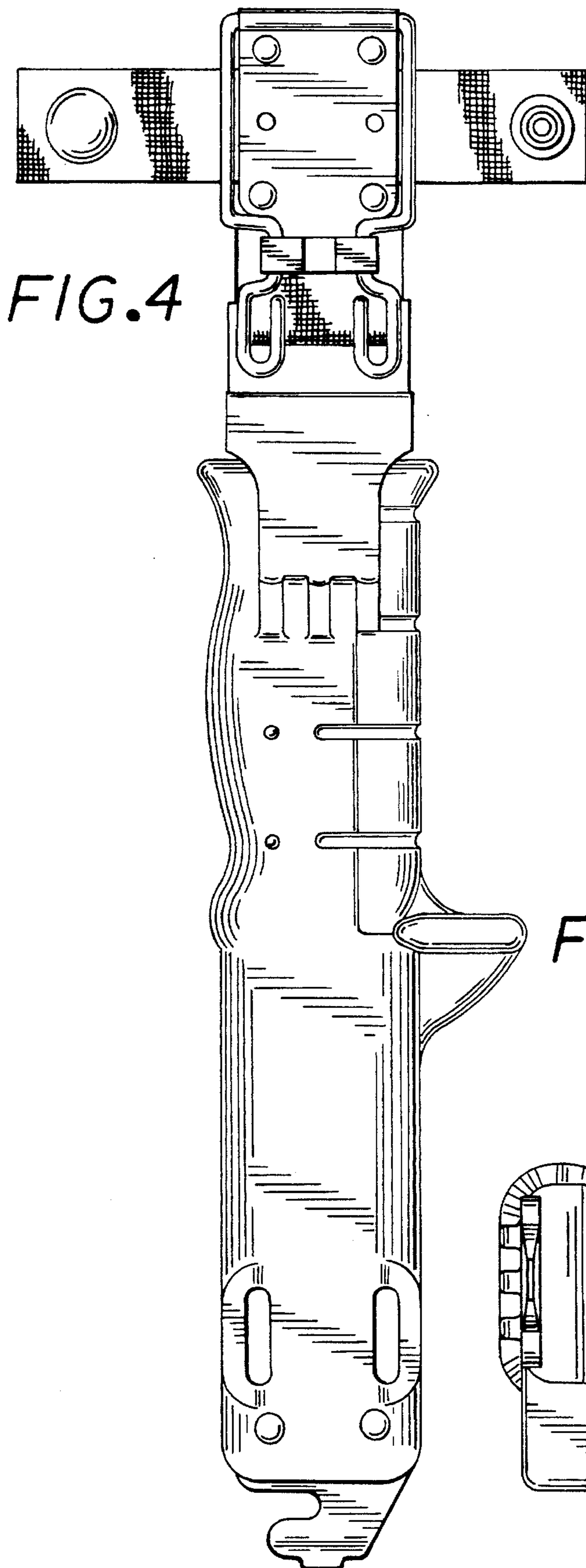


FIG. 5

