



US00D369670S

United States Patent [19] Queen

[11] **Patent Number:** **Des. 369,670**
[45] **Date of Patent:** ****May 7, 1996**

[54] **INFLATABLE EMERGENCY SHELTER**

[76] Inventor: **Lorne Queen**, RR#1, Keewatin,
Ontario, Canada, P0X 1C0

[**] Term: **14 Years**

[21] Appl. No.: **28,857**

[22] Filed: **Sep. 23, 1994**

[30] **Foreign Application Priority Data**

Mar. 29, 1994 [CA] Canada 1994-0605

[52] U.S. Cl. **D25/18; D25/17; D25/21**

[58] Field of Search D25/1, 2, 4, 7,
D25/10, 11, 12, 13, 14, 15, 16, 17, 18,
19, 20, 21, 22, 33, 34, 35, 56, 199; D21/253;
52/2.11, 2.13, 2.22, 79.1, 81.1, 86; 135/87,
97, 124

[56] **References Cited**

U.S. PATENT DOCUMENTS

D. 138,447 8/1944 Van Scoy et al. D25/18 X

D. 305,790 1/1990 Söderström D21/253
3,059,657 10/1962 Turner D25/18 X

FOREIGN PATENT DOCUMENTS

518557 12/1957 Italy 135/124

Primary Examiner—Louis S. Zarfes

Assistant Examiner—Monica A. Hannon

Attorney, Agent, or Firm—Lynn S. Cassan; P. Scott Maclean

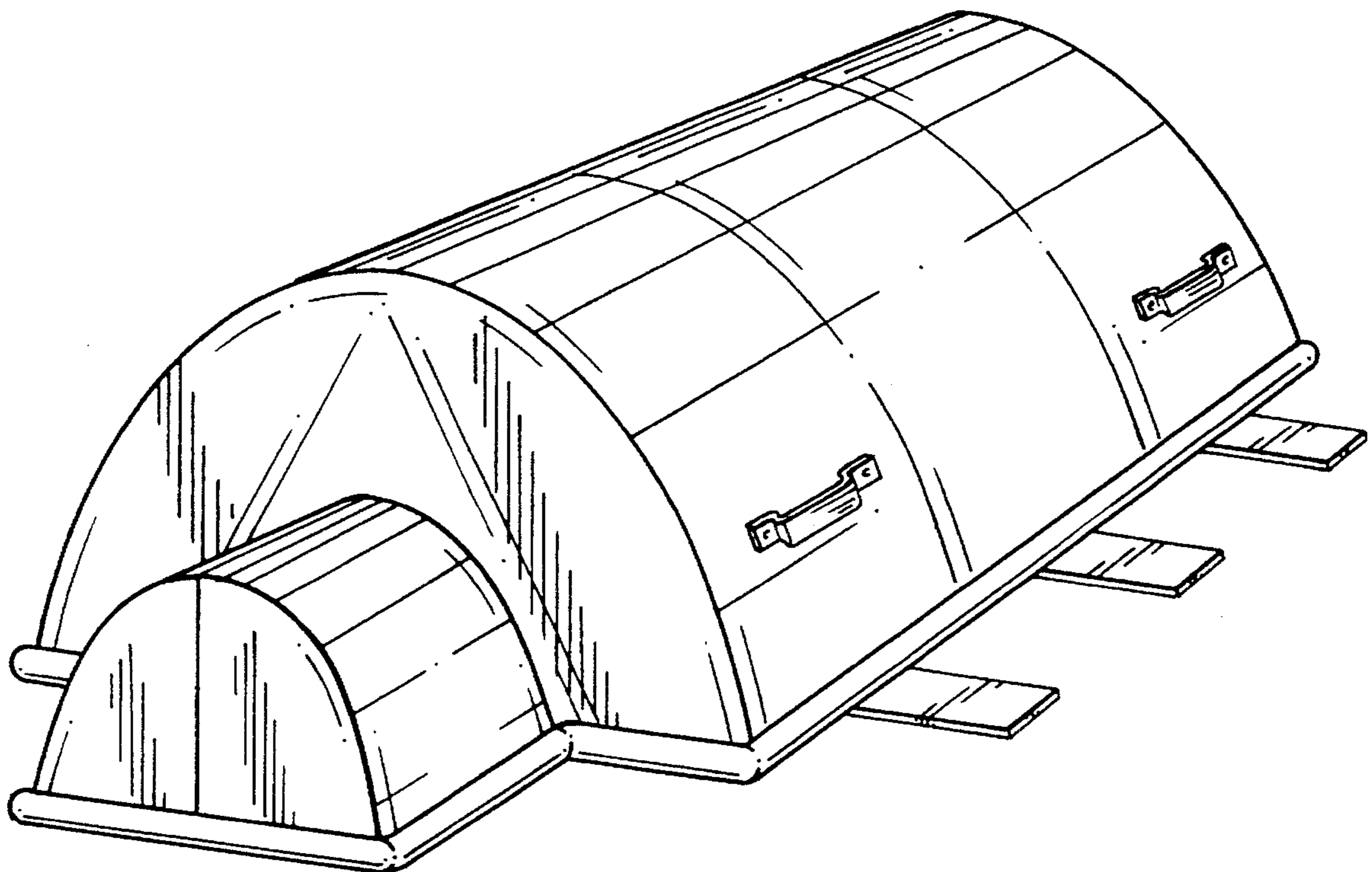
[57] **CLAIM**

The ornamental design for an inflatable emergency shelter,
as shown.

DESCRIPTION

FIG. 1 is a left side view;
FIG. 2 is a front view;
FIG. 3 is a top view;
FIG. 4 is a right side view;
FIG. 5 is a rear view;
FIG. 6 is a bottom view; and,
FIG. 7 is a perspective view.

1 Claim, 4 Drawing Sheets



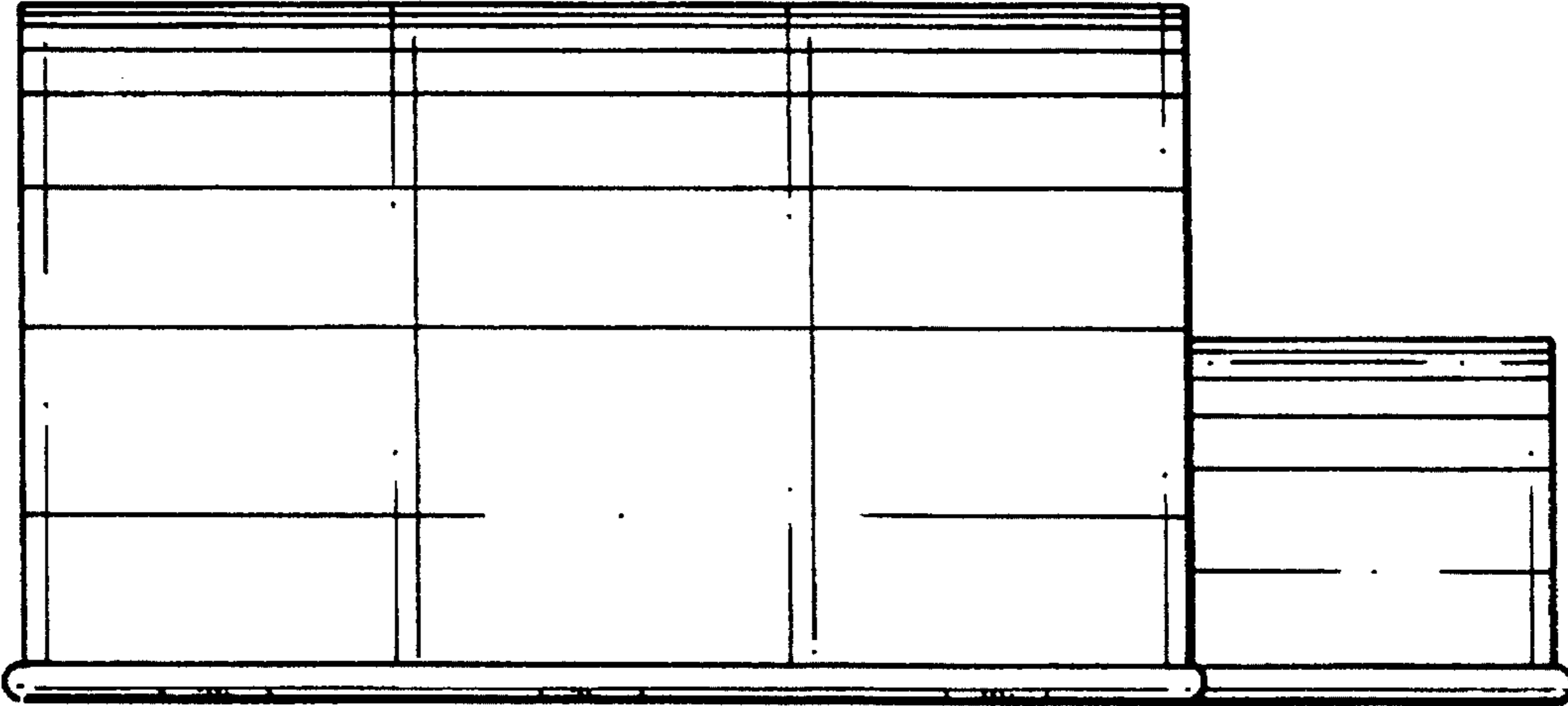


FIG. 1

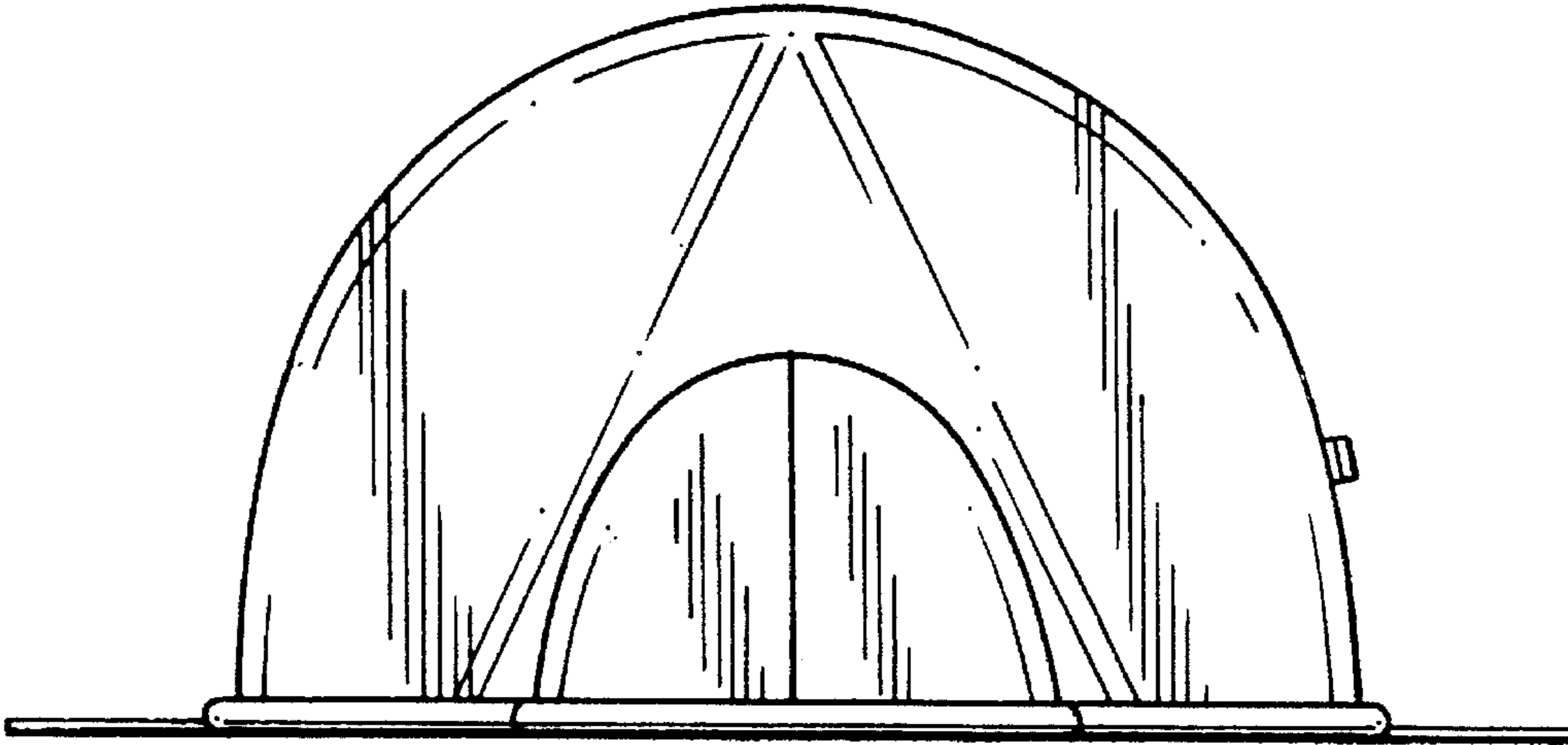


FIG. 2

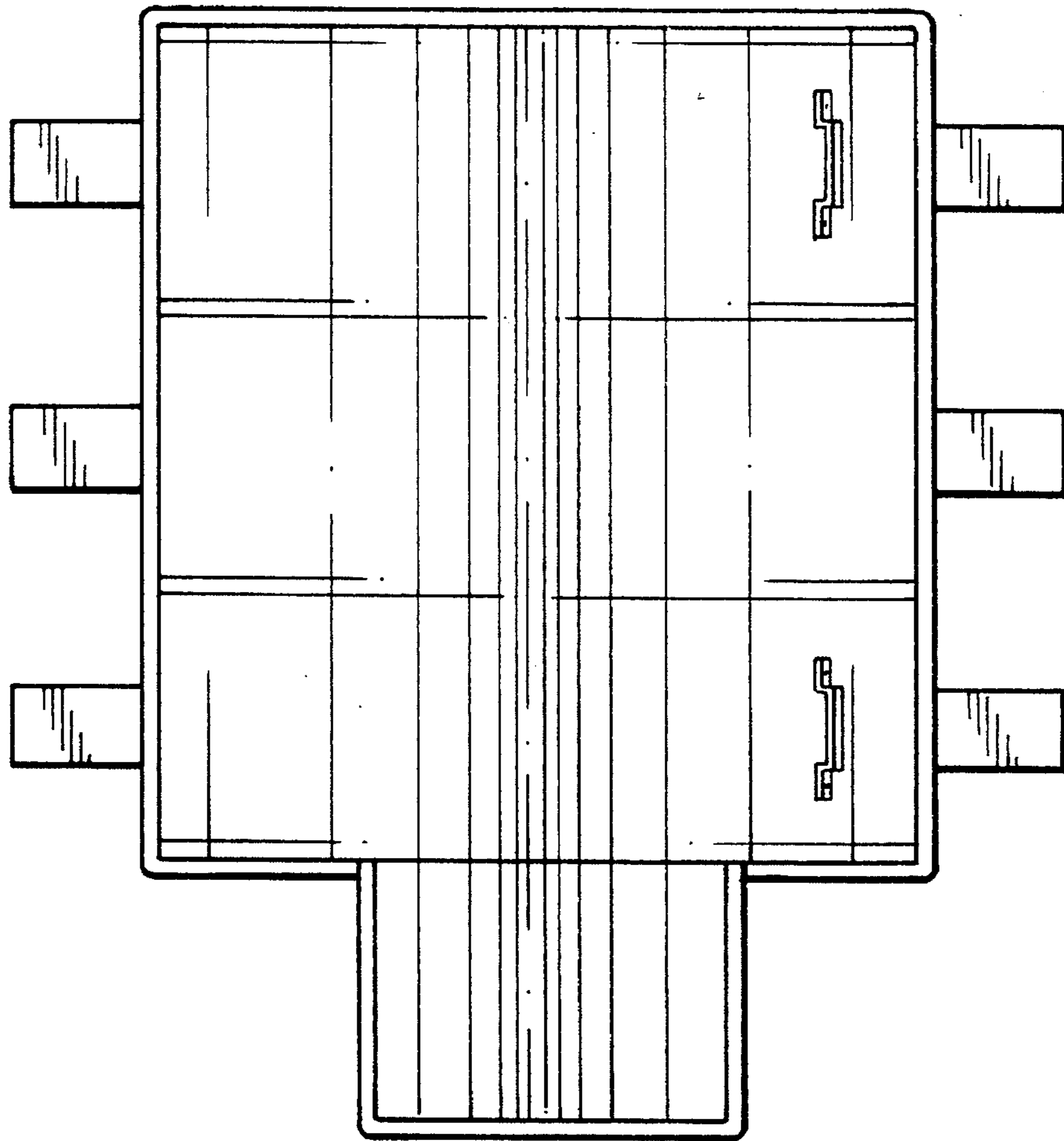


FIG. 3

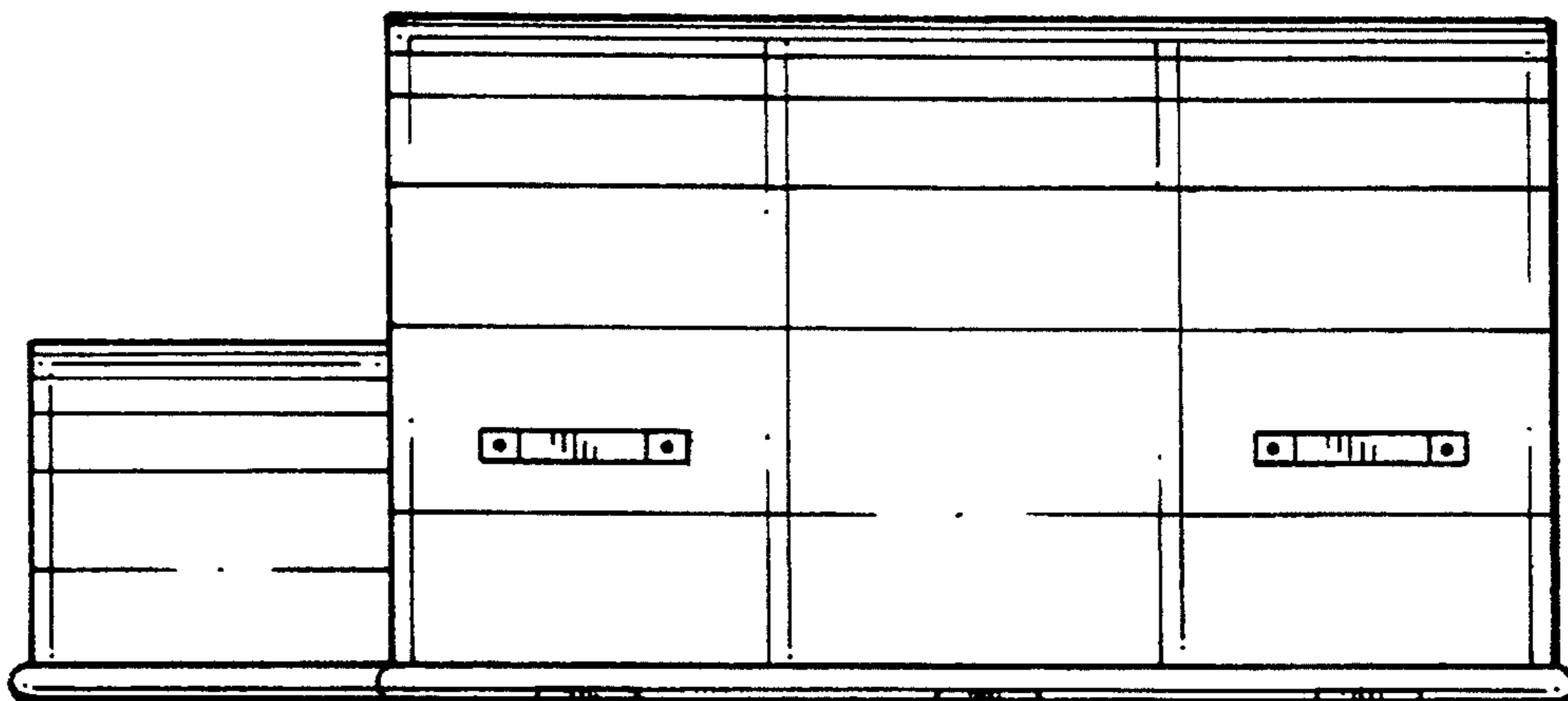


FIG. 4

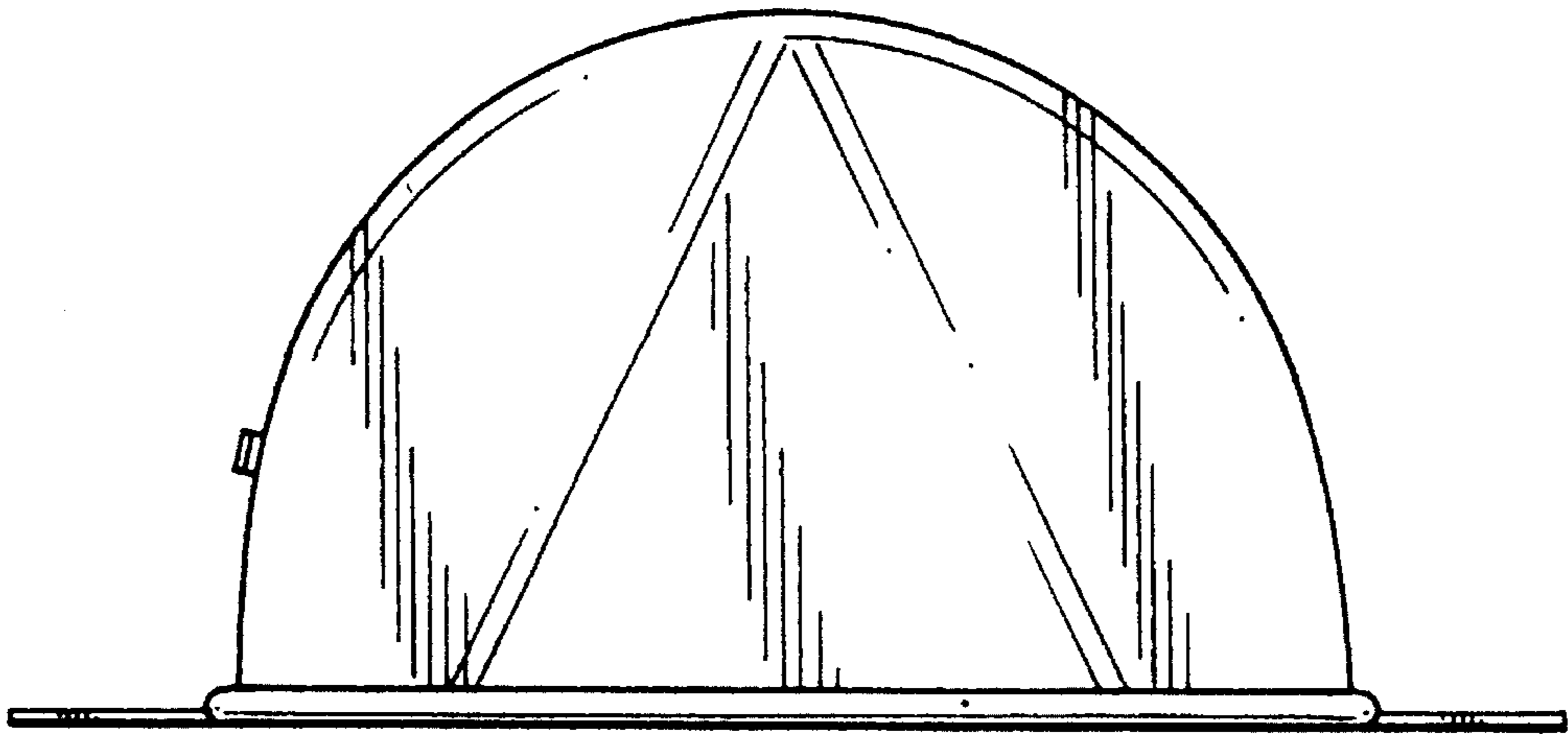


FIG. 5

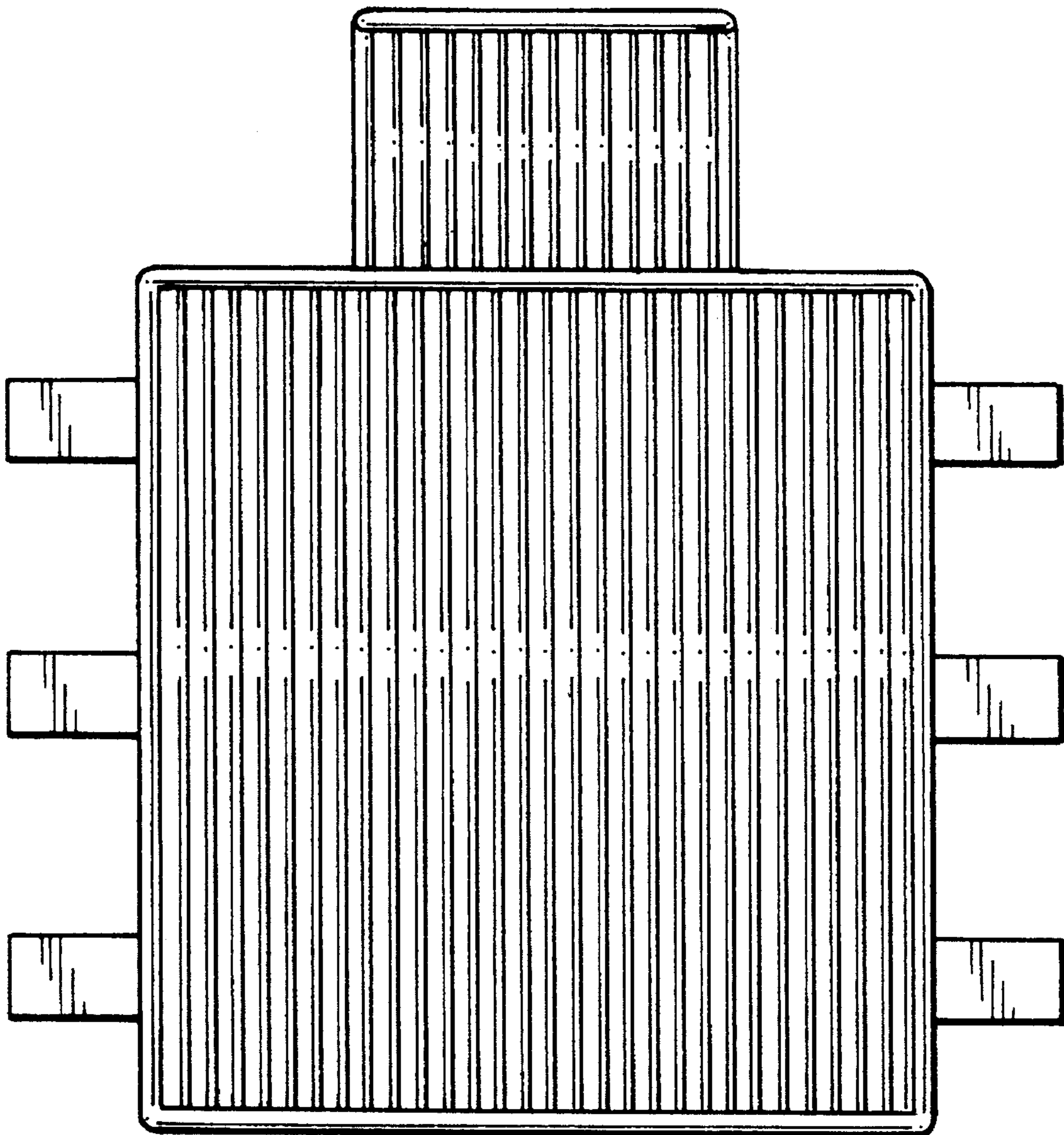


FIG. 6

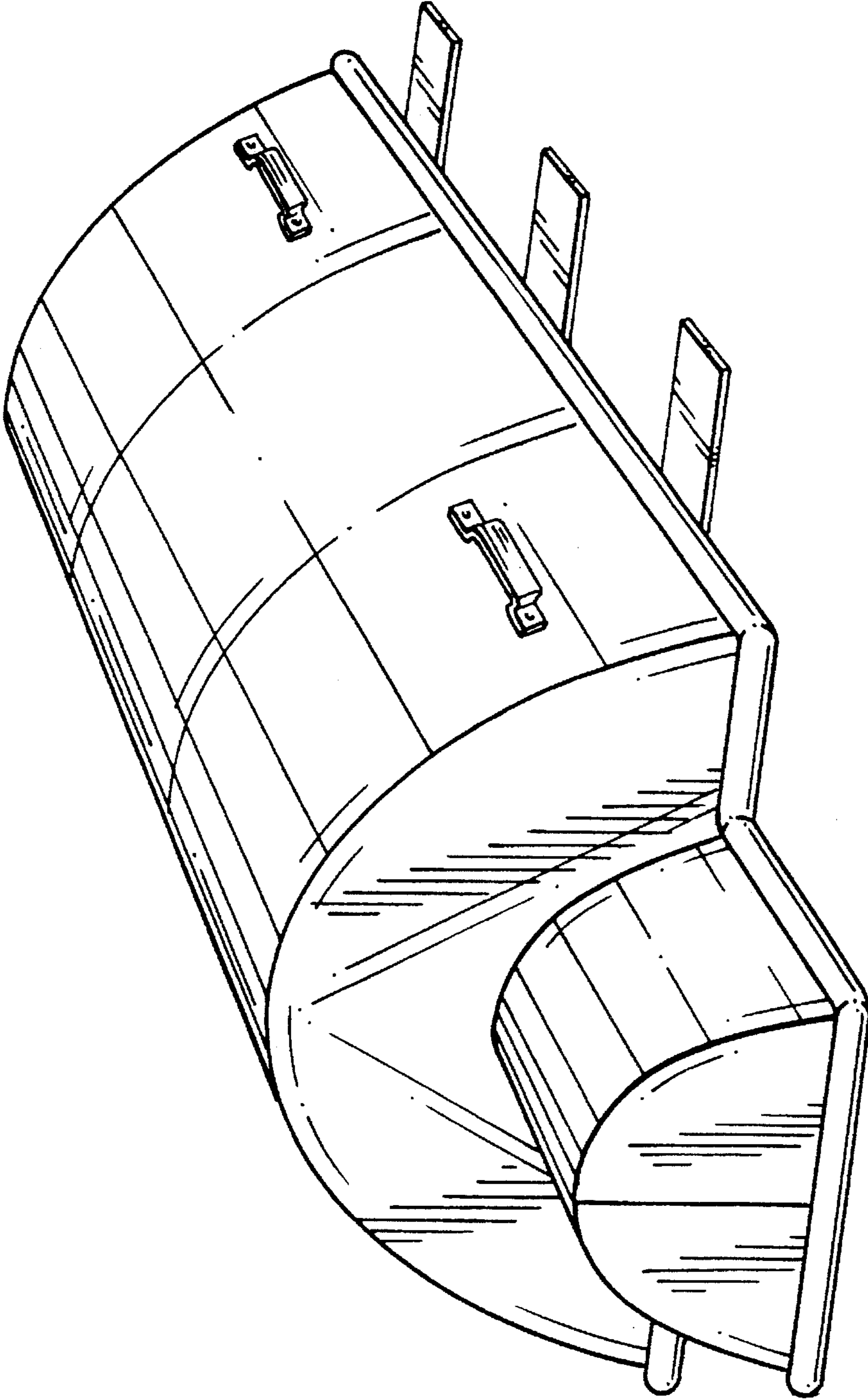


FIG. 7